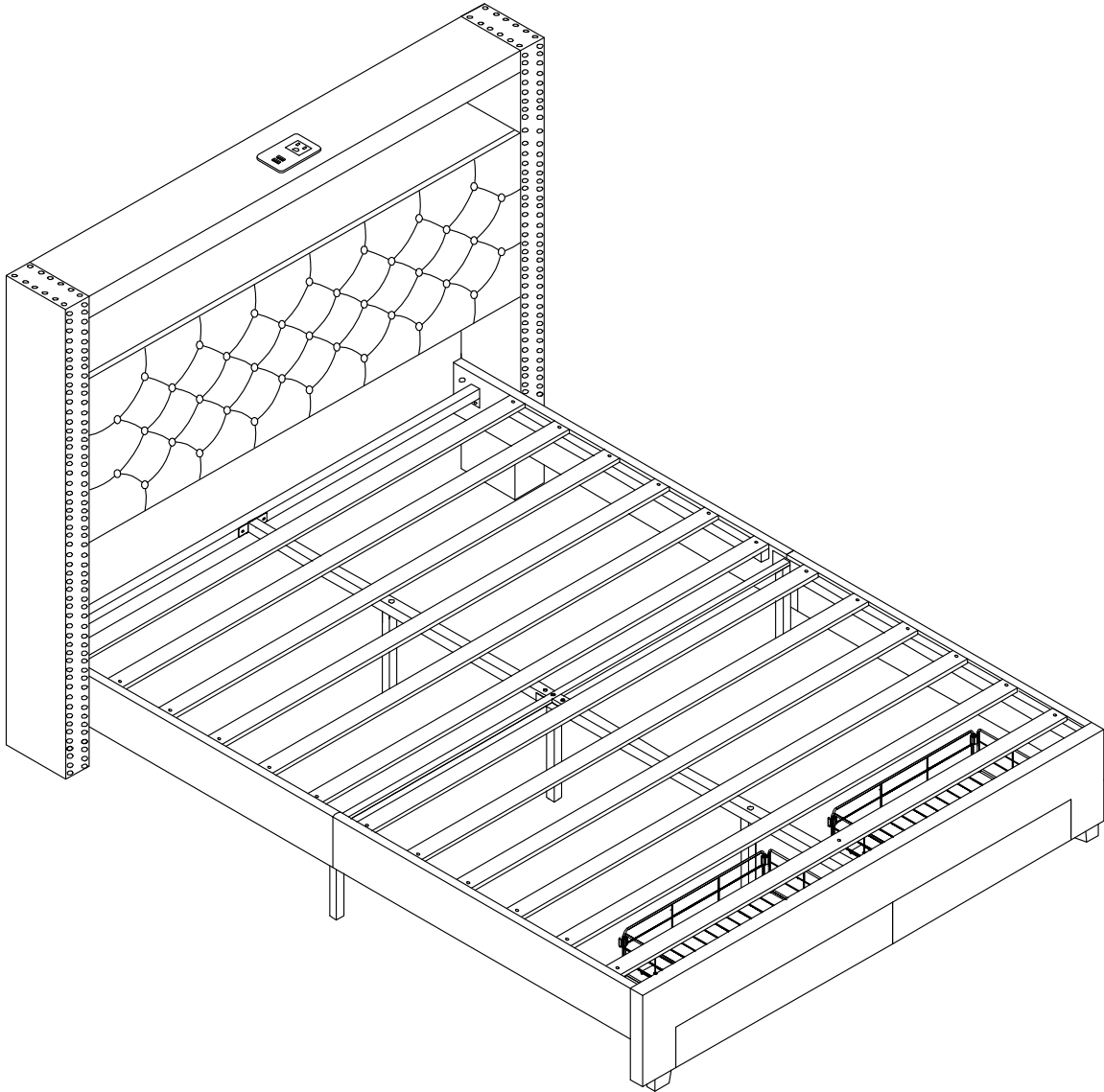


Instruction Manual



Bed Frame

EN

Thank you for purchase on our products. Please contact us if you have difficulty with assembly or need replacement parts. Our customer service is here to assist you. Please attach your User Name or Order ID so that we can assist you better.

WARNING

Serious or fatal injury may occur from unexpected assembly or use.

1. During the assembly process, keep all parts away from babies or children.
2. Use of tip-over restraints may only reduce, but not eliminate the risk of tip-over.
3. Unless specially designed to accommodate, do not set heavy objects on top of this product.
4. Place the heaviest items on the lowest shelf.
5. Never allow children to climb or bang on drawers, doors or shelves.

DE

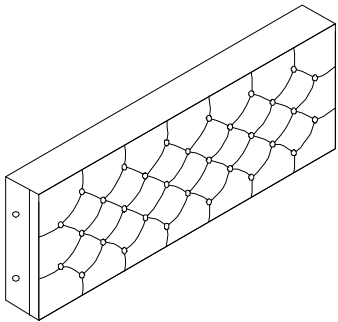
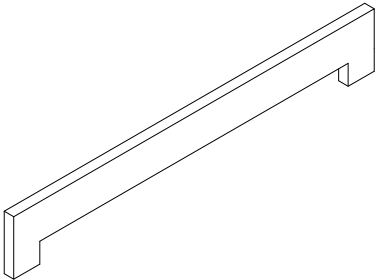
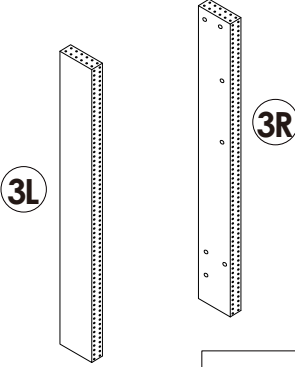
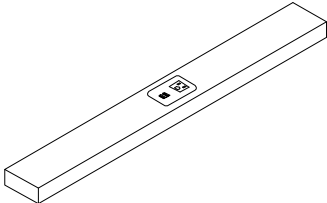
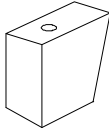
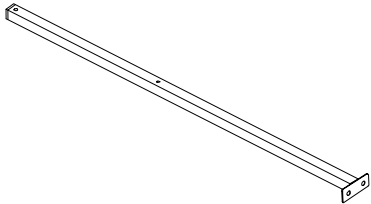
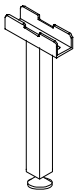
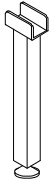
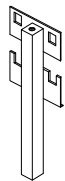
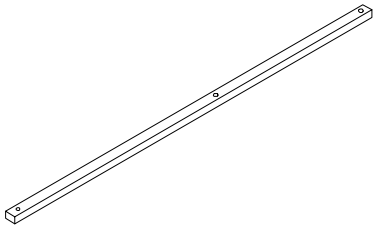
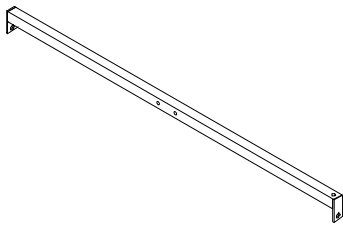
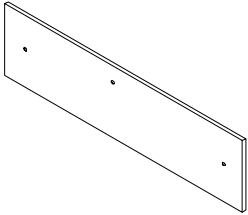
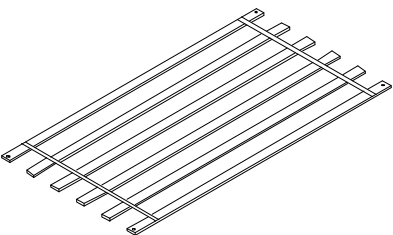
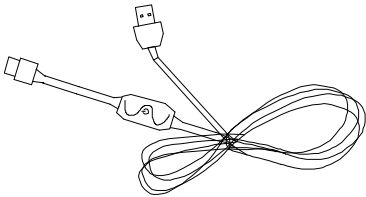
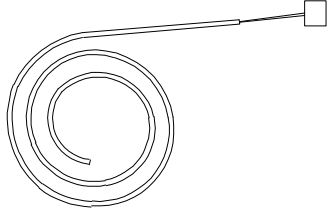
Vielen Dank für Ihren Kauf von uns Produkten. Bitte kontaktieren Sie uns, wenn Sie Probleme mit Montage haben oder Ersatzteile benötigen. Wir Kundenservice ist für Sie da. Bitte geben Sie Ihren Benutzernamen oder Ihre Bestellnummer an, damit wir Sie besser unterstützen können.

WARNUNG


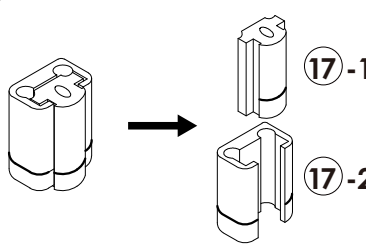
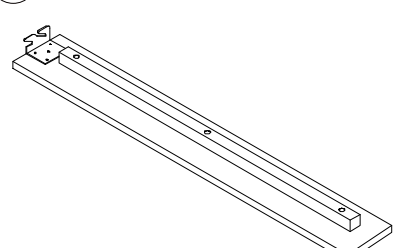
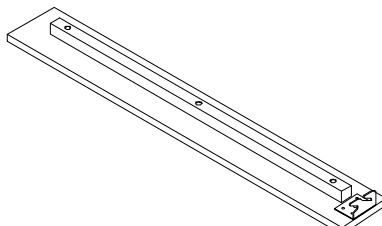
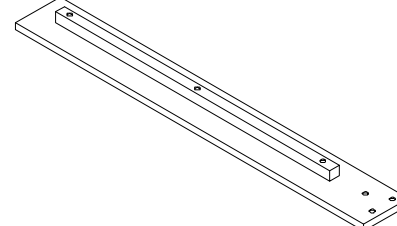
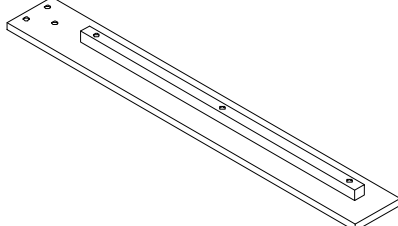
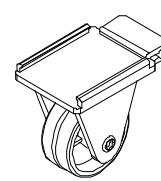
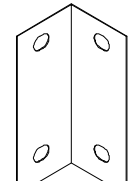
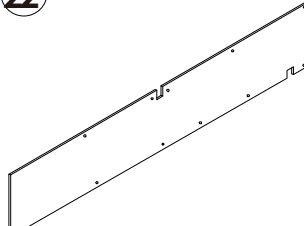
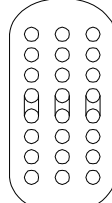
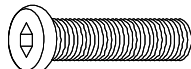
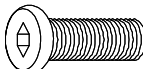
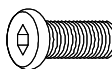




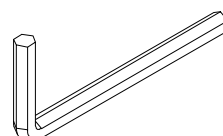
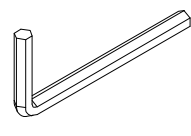
Bei unerwarteter Montage oder Verwendung können schwere oder tödliche Verletzung auftreten.

1. Legen Sie in den Montageprozess alle Teile weg von Babys oder Kindern.
2. Die Verwendung von Kippsicherungen kann die Gefahr eines Kippens nur verringern, jedoch nicht beseitigen.
3. Setzen Sie bitte keine schweren Gegenstände auf dieses Produkt, es sei denn, dass das Produkt speziell für die Unterbringung konzipiert wird.
4. Legen Sie bitte die schwersten Gegenstände auf das unterste Regal.
5. Erlauben Sie nie Kindern, auf Schubladen, Türen oder Regale zu klettern oder zu knallen.

Parts List(EN) / Teile Liste(DE)

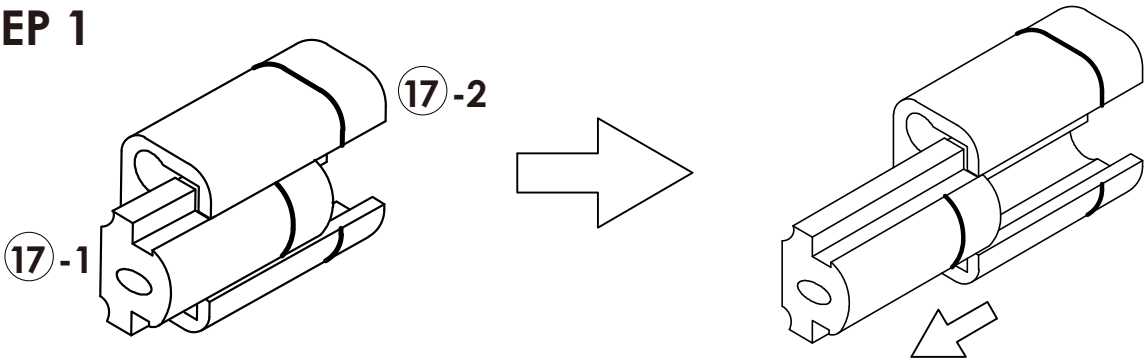
<p>1</p> 	<p>2</p> 	<p>3</p> 
1PC	1PC	1SET
<p>4</p> 	<p>5</p> 	<p>6</p> 
1PC	2PCS	2PCS
<p>7</p> 	<p>8</p> 	<p>9</p> 
1PC	2PCS	2PCS
<p>10</p> 	<p>11</p> 	<p>12</p> 
1PC	1PC	2PCS
<p>13</p> 	<p>14</p> 	<p>15</p> 
2PCS	1PC	1PC

Parts List(EN) / Teile Liste(DE)

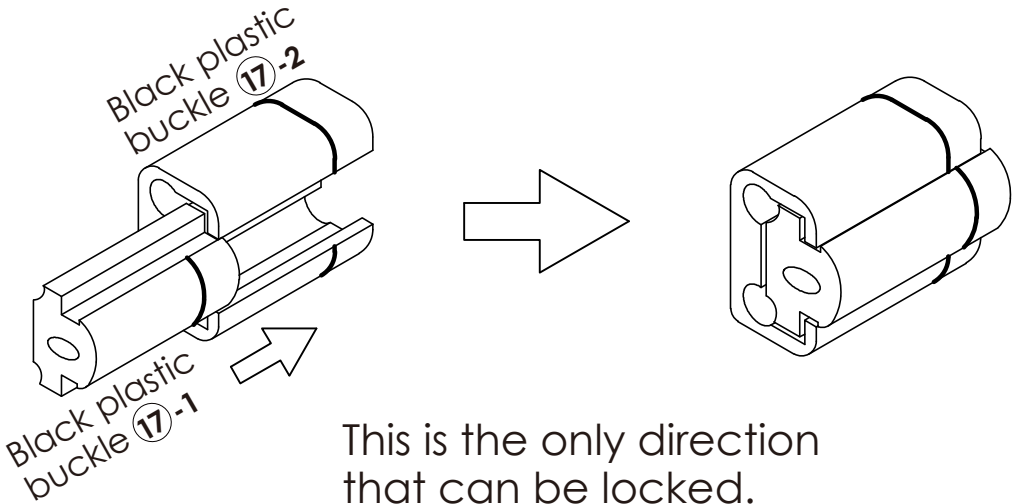
 <div style="border: 1px solid black; width: 100px; margin: 0 auto; padding: 2px; text-align: center;">2PCS</div>	 <div style="border: 1px solid black; width: 100px; margin: 0 auto; padding: 2px; text-align: center;">4PCS</div>	 <div style="border: 1px solid black; width: 100px; margin: 0 auto; padding: 2px; text-align: center;">1PC</div>	
 <div style="border: 1px solid black; width: 100px; margin: 0 auto; padding: 2px; text-align: center;">1PC</div>	 <div style="border: 1px solid black; width: 100px; margin: 0 auto; padding: 2px; text-align: center;">1PC</div>	 <div style="border: 1px solid black; width: 100px; margin: 0 auto; padding: 2px; text-align: center;">1PC</div>	
 <div style="border: 1px solid black; width: 100px; margin: 0 auto; padding: 2px; text-align: center;">8PCS</div>	 <div style="border: 1px solid black; width: 100px; margin: 0 auto; padding: 2px; text-align: center;">2PCS</div>	 <div style="border: 1px solid black; width: 100px; margin: 0 auto; padding: 2px; text-align: center;">1PC</div>	 <div style="border: 1px solid black; width: 100px; margin: 0 auto; padding: 2px; text-align: center;">1PC</div>
A  <div style="display: flex; justify-content: space-between; width: 100%;">5/16"×45mm19+2PCS</div>	B  <div style="display: flex; justify-content: space-between; width: 100%;">5/16"×25mm8+1PCS</div>	C  <div style="display: flex; justify-content: space-between; width: 100%;">1/4"×15mm22+2PCS</div>	
D  <div style="display: flex; justify-content: space-between; width: 100%;">5/16"28+2PCS</div>	E  <div style="display: flex; justify-content: space-between; width: 100%;">5/16"×19mm28+2PCS</div>	F  <div style="display: flex; justify-content: space-between; width: 100%;">1/4"×16mm22+2PCS</div>	
G  <div style="display: flex; justify-content: space-between; width: 100%;">M4×25mm24+2PCS</div>	H  <div style="display: flex; justify-content: space-between; width: 100%;">5/16"×100mm1PC</div>	I  <div style="display: flex; justify-content: space-between; width: 100%;">1/4"×65mm1PC</div>	

Assembly Instruction of (Drawer)

STEP 1

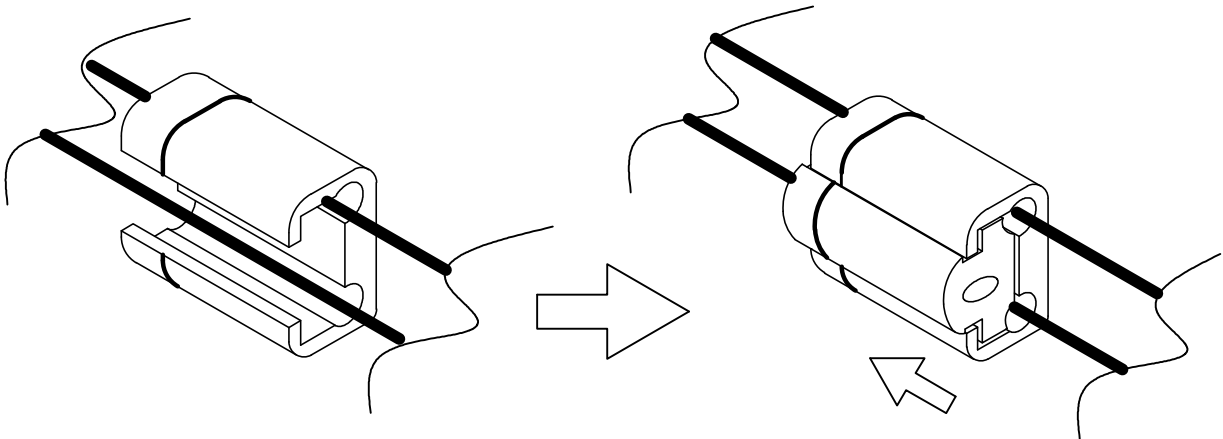


You can pull the buckle out by following the direction indicated by the arrow



This is the only direction that can be locked.

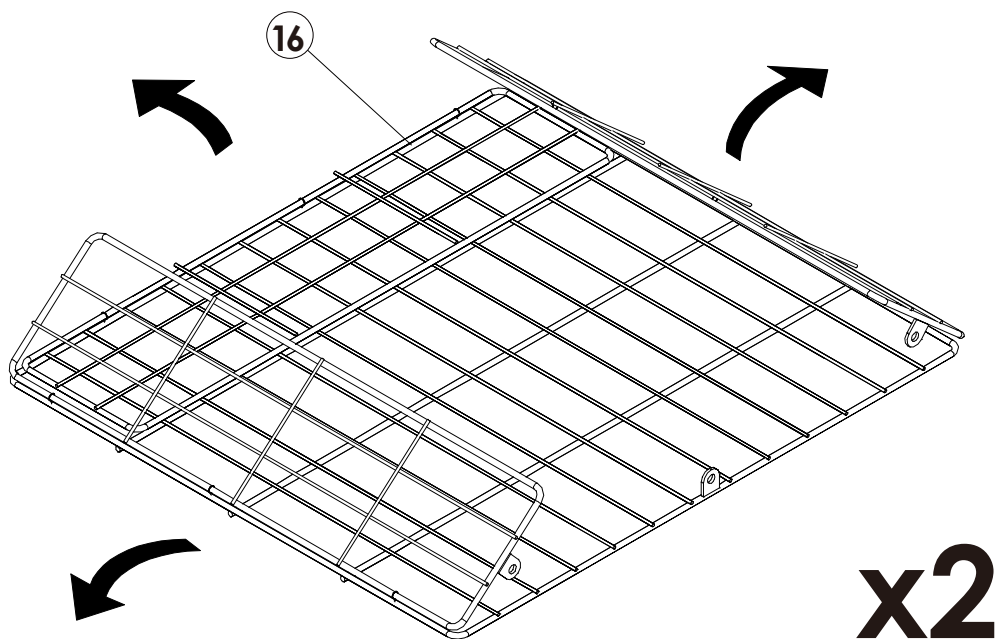
STEP 2



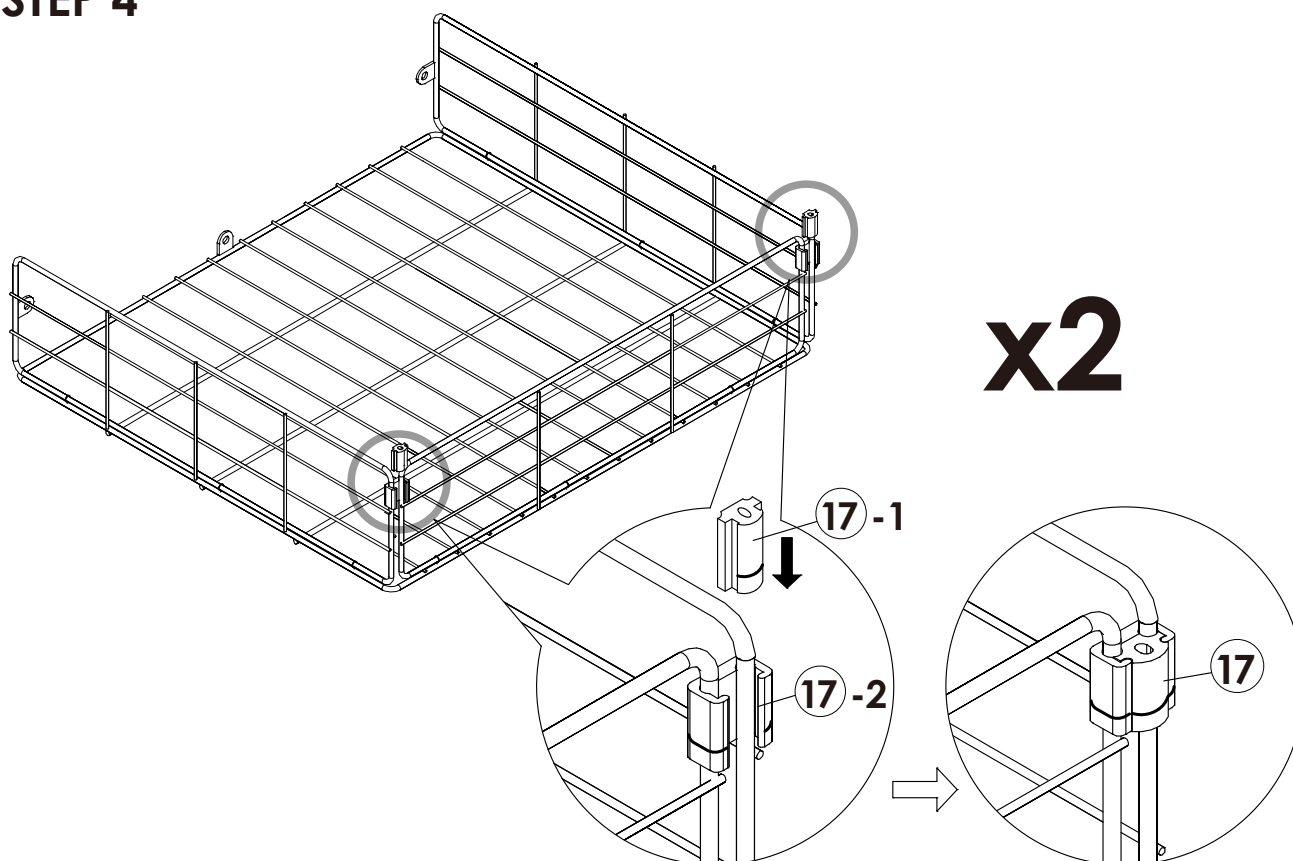
Place the round iron tubes as shown for better assembly of the drawers.

Assembly Steps(EN) / Montageschritte(DE)

STEP 3

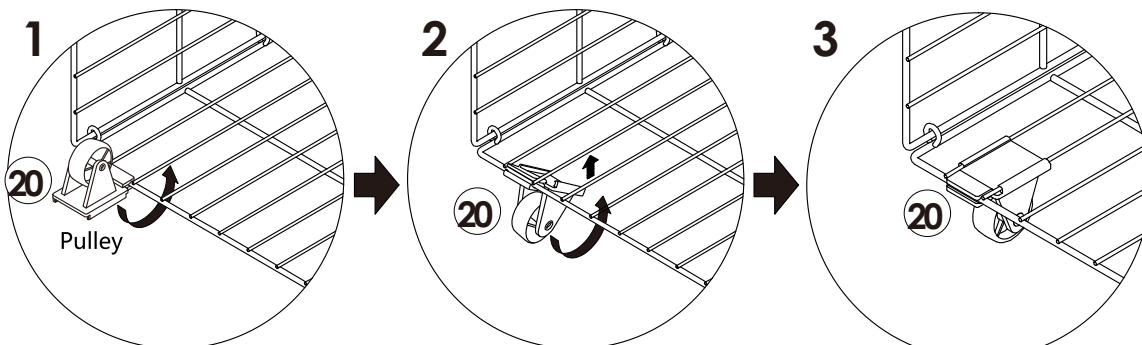


STEP 4



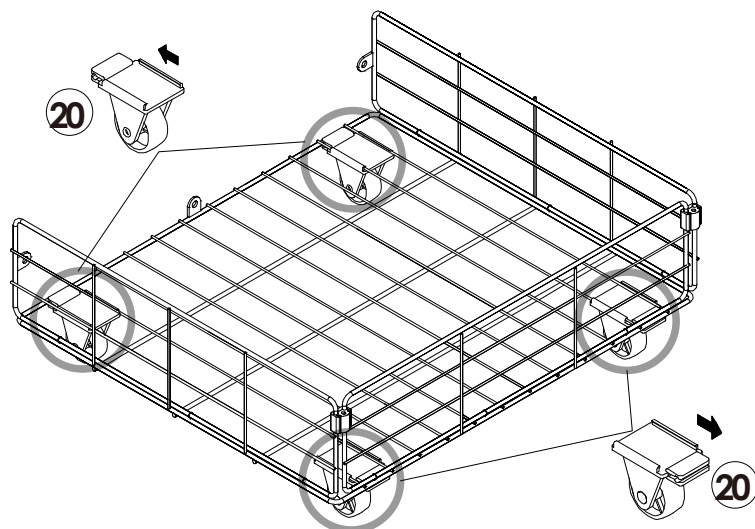
Assembly Steps(EN) / Montageschritte(DE)

STEP 5



1. As shown in the figure Clip the pulley into position first

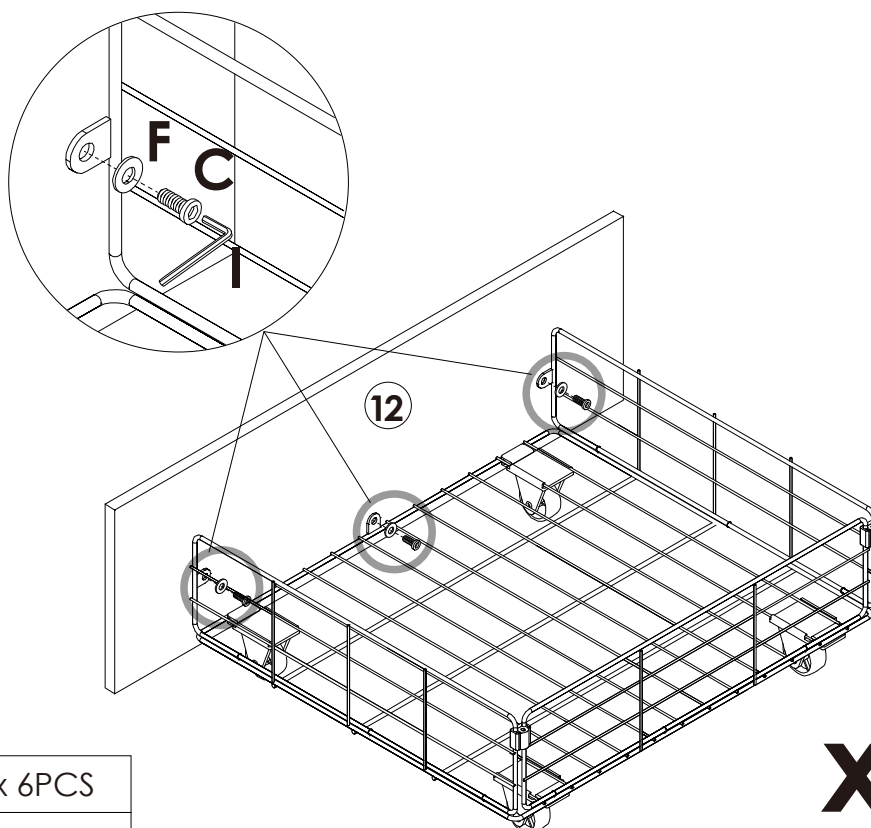
2. Then push the pulley to the side, clamp the iron wire at the edge.



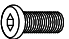


x2

Place the round iron tubes as shown for better assembly of the drawers.

STEP 6

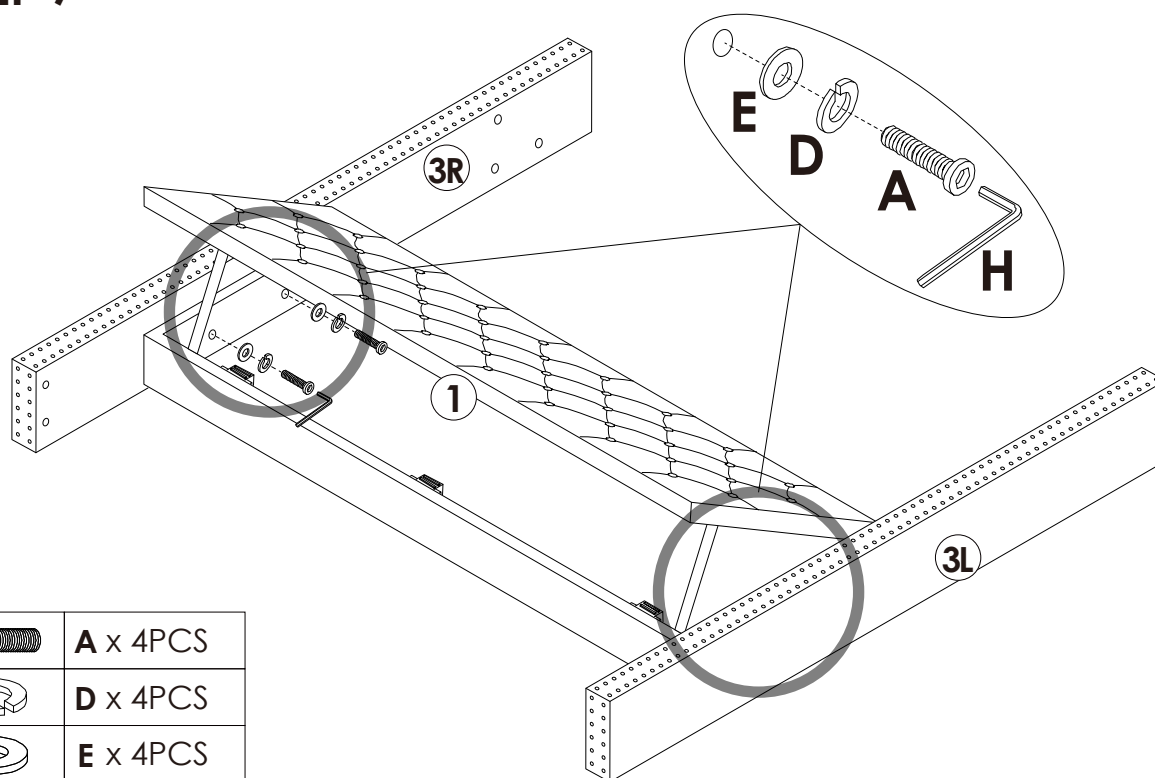


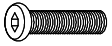



x2

	C x 6PCS
	F x 6PCS
	I x 1PC

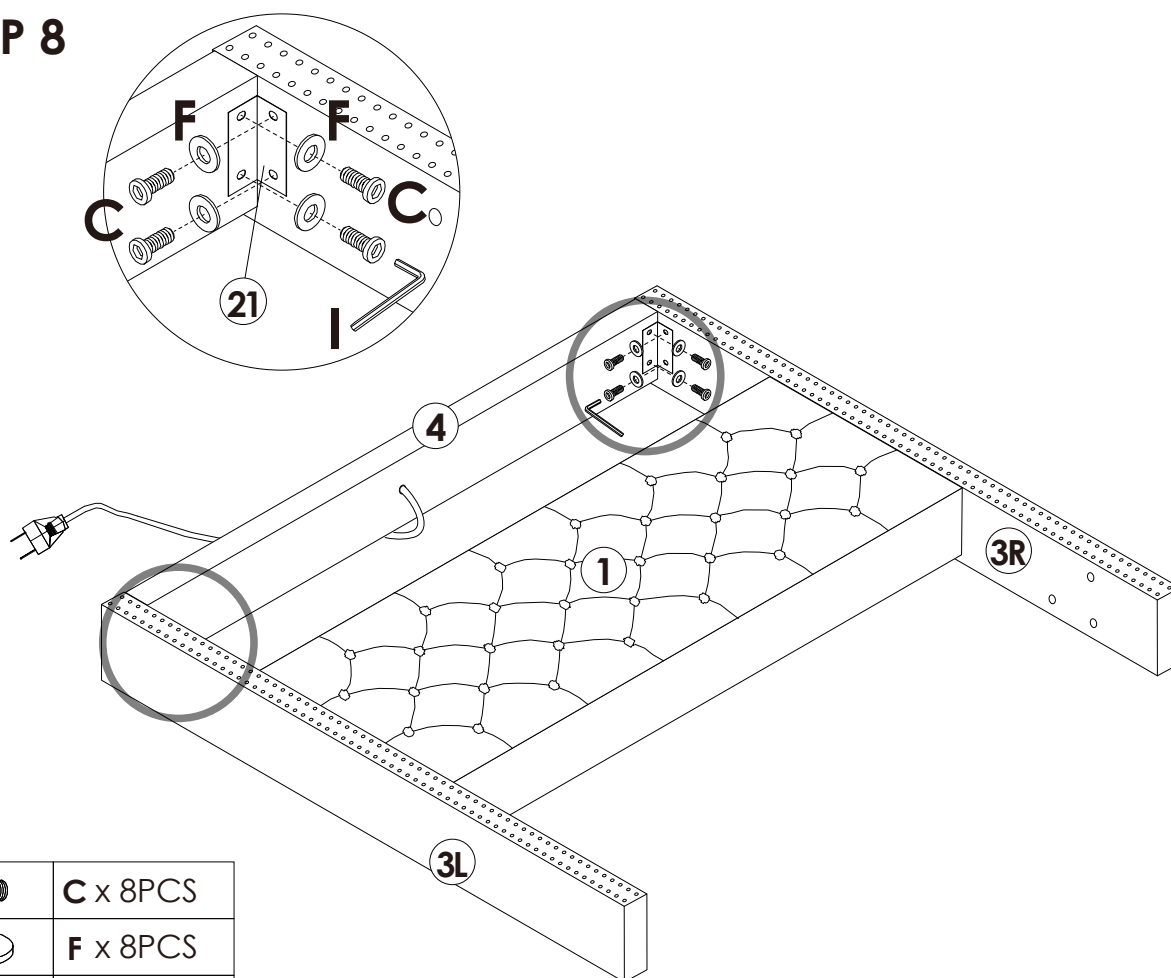
Assembly Steps(EN) / Montageschritte(DE)

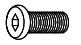


STEP 7



	A x 4PCS
	D x 4PCS
	E x 4PCS
	H x 1PC

STEP 8

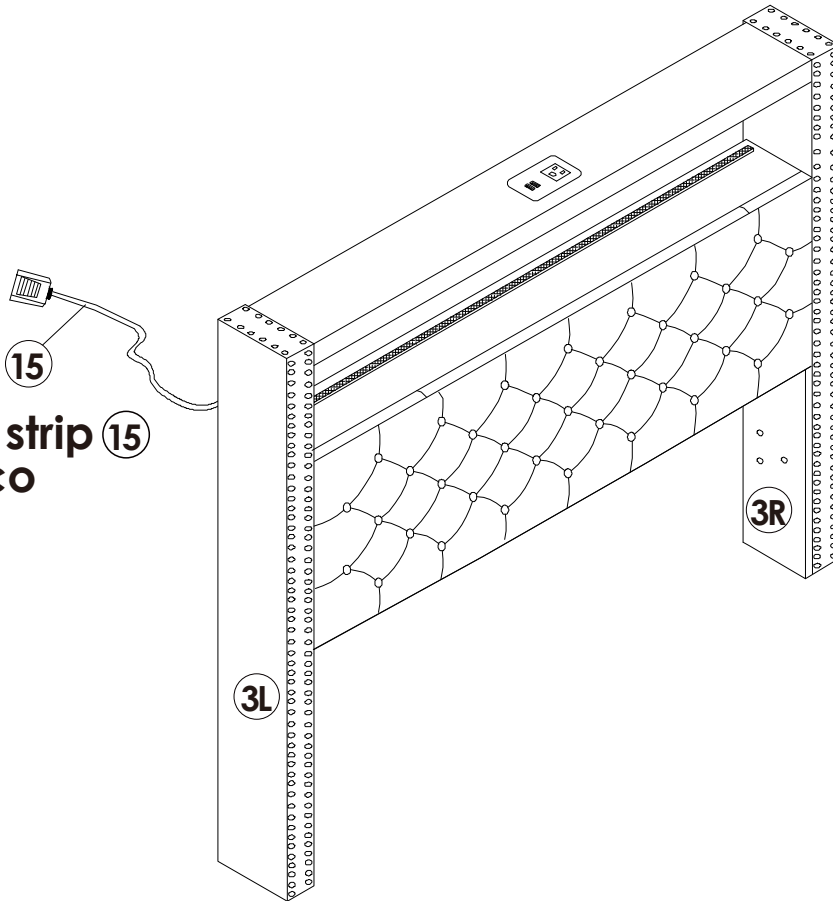


	C x 8PCS
	F x 8PCS
	I x 1PC

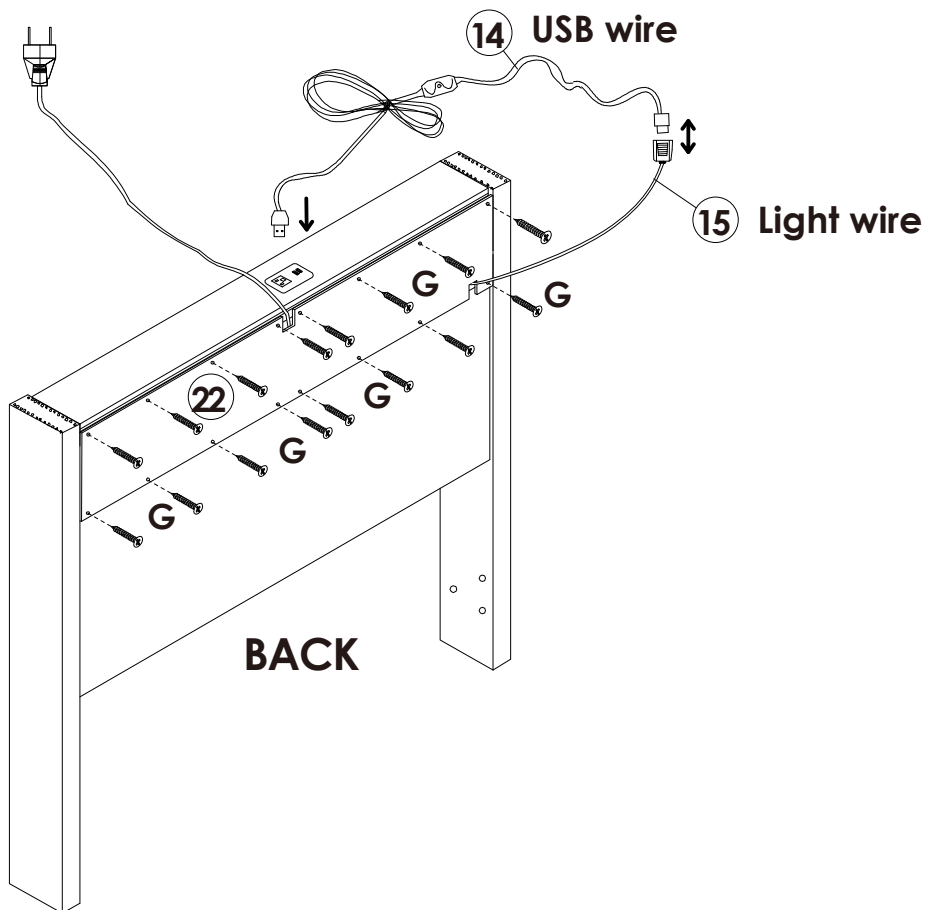
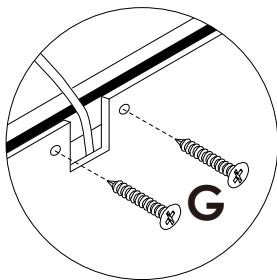
Assembly Instruction of (Bed)

STEP 9

Light wire 15
Put the led strip 15
on the velco



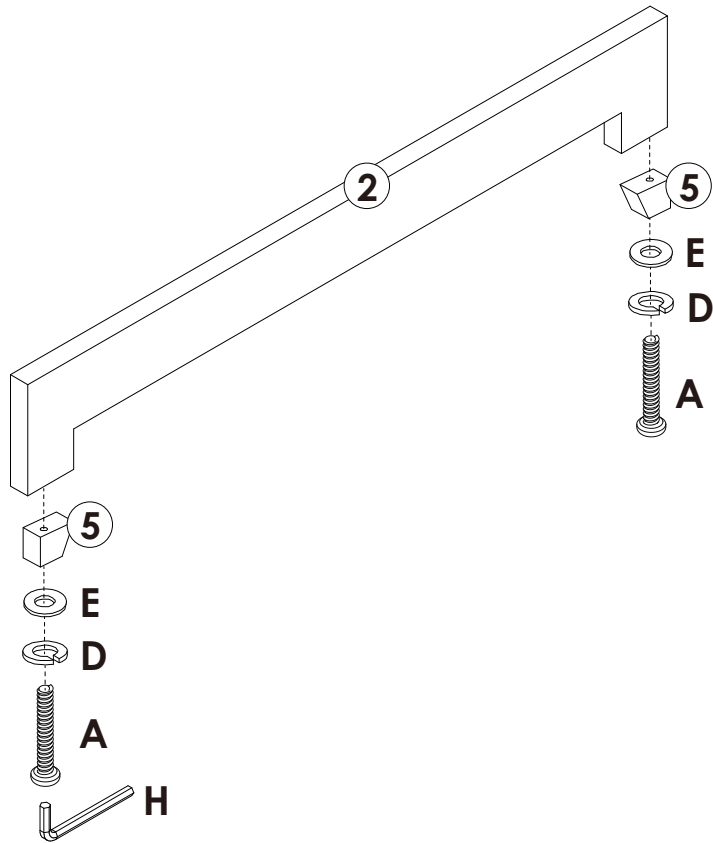
STEP 10

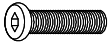





 G x 16PCS

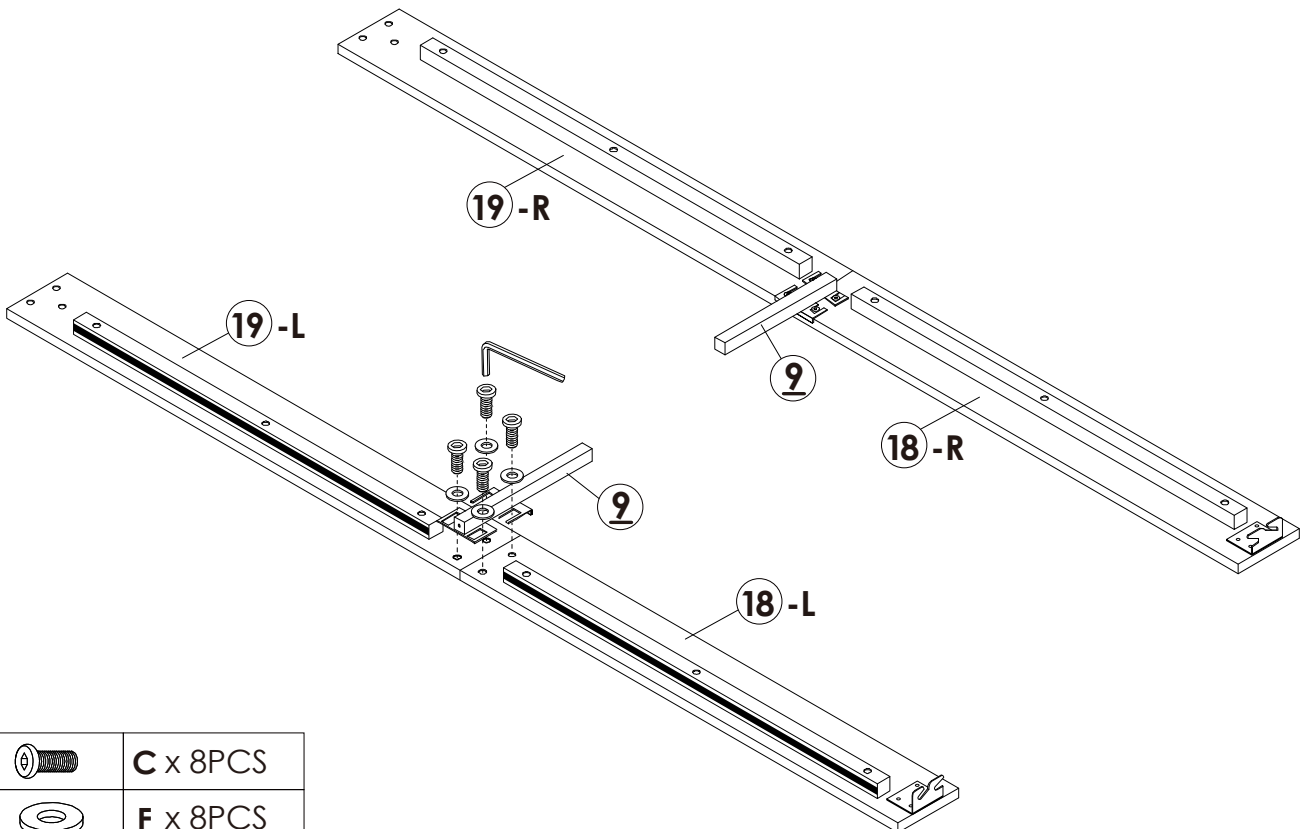
Assembly Instruction of (Bed)

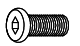


STEP 11



	A x 2PCS
	D x 2PCS
	E x 2PCS
	H x 1PC

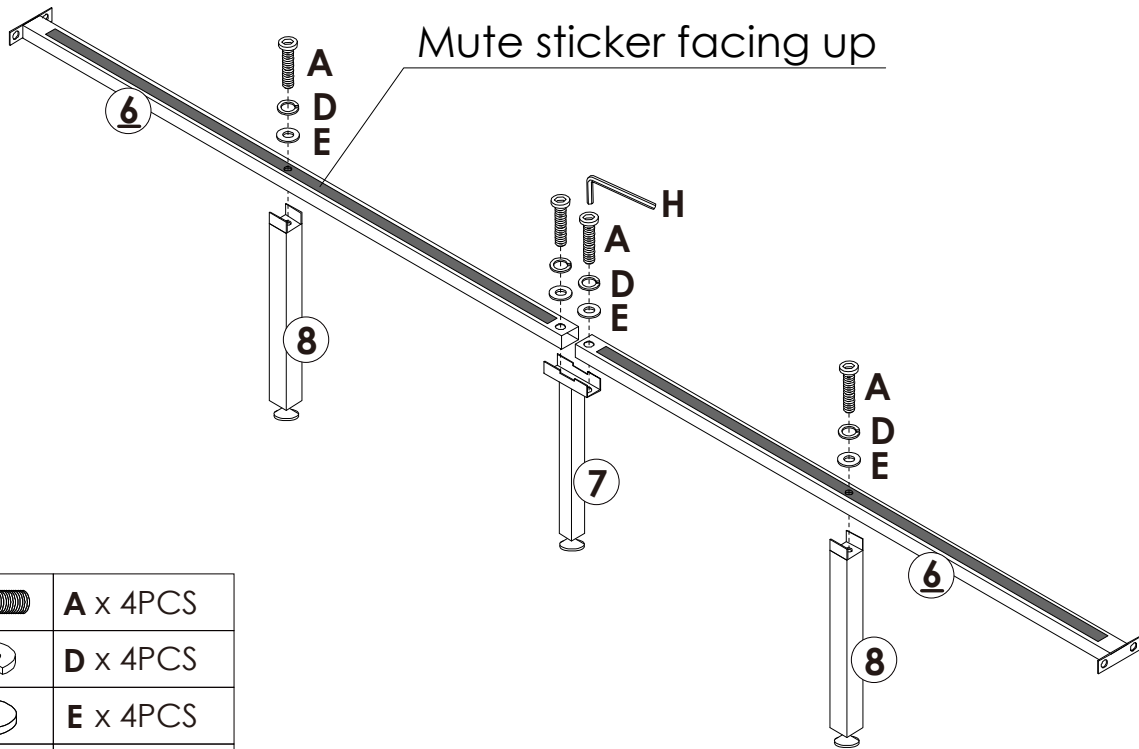
STEP 12

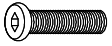





	C x 8PCS
	F x 8PCS
	I x 1PC

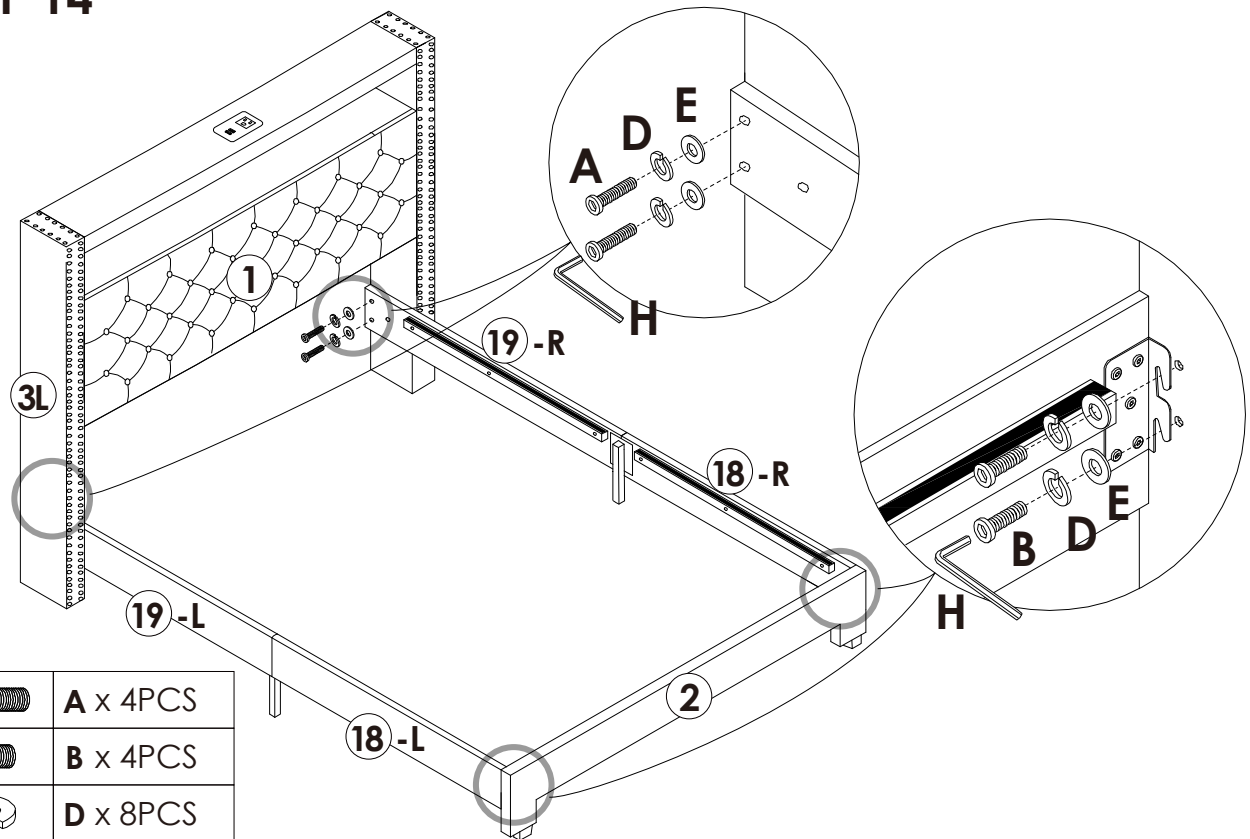
Assembly Instruction of (Bed)





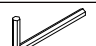
STEP 13



	A x 4PCS
	D x 4PCS
	E x 4PCS
	H x 1PC

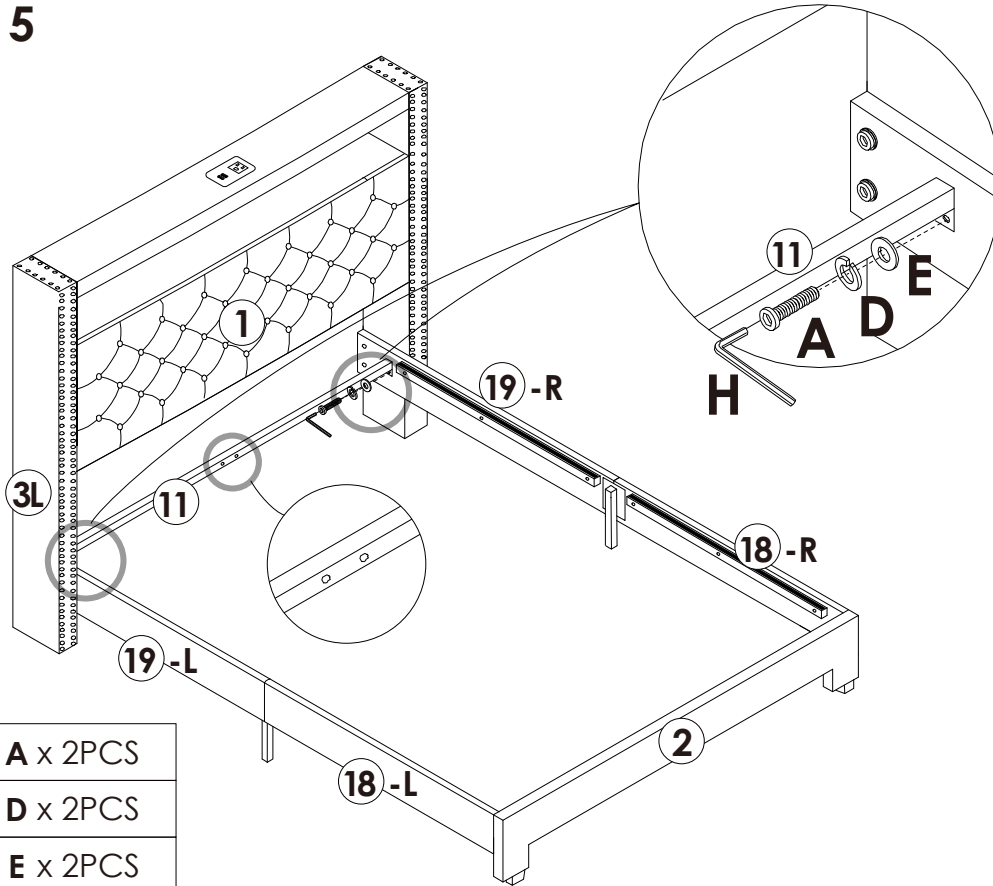
STEP 14

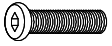





	A x 4PCS
	B x 4PCS
	D x 8PCS
	E x 8PCS
	H x 1PC

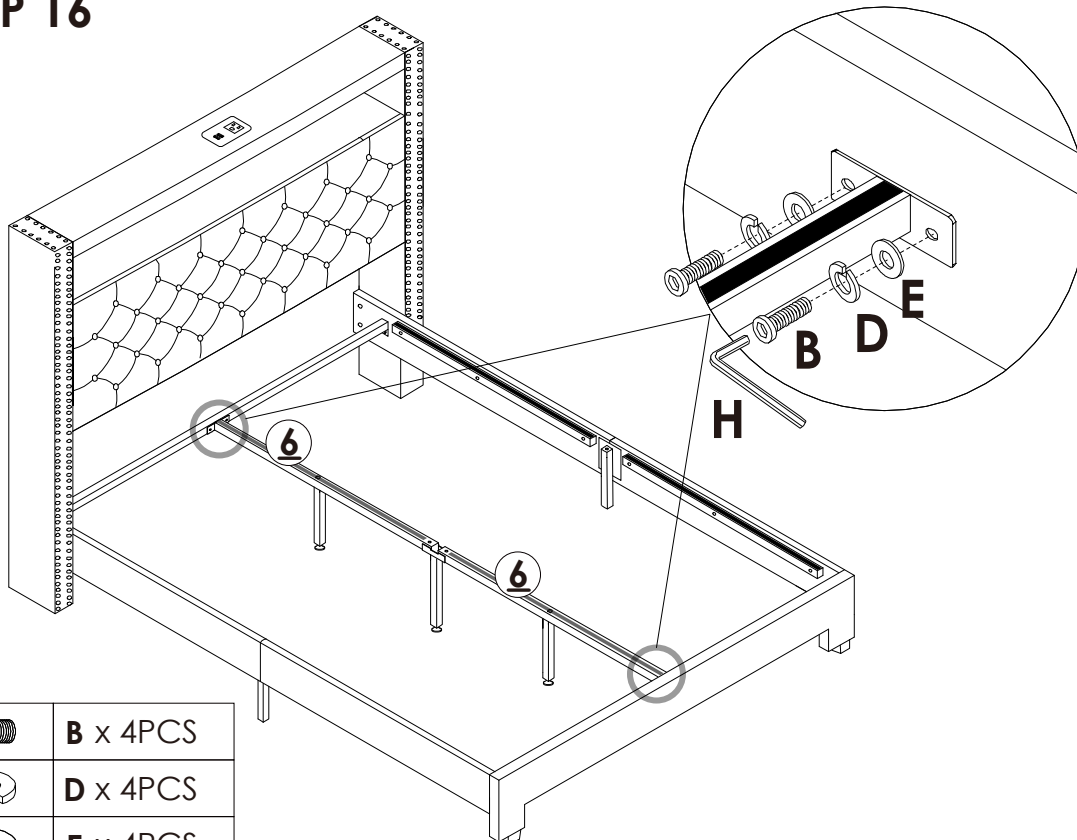
Assembly Instruction of (Bed)

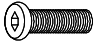



STEP 15



	A x 2PCS
	D x 2PCS
	E x 2PCS
	H x 1PC

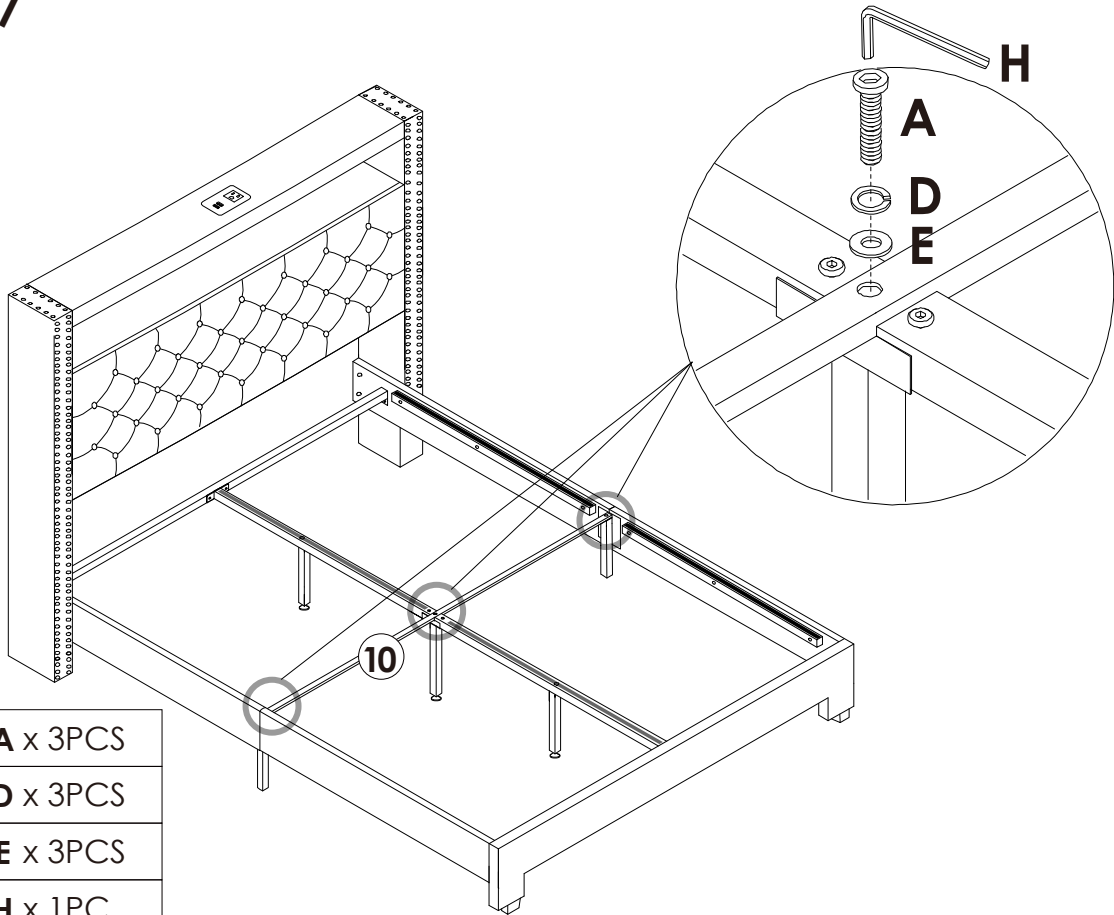
STEP 16

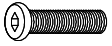





	B x 4PCS
	D x 4PCS
	E x 4PCS
	H x 1PC

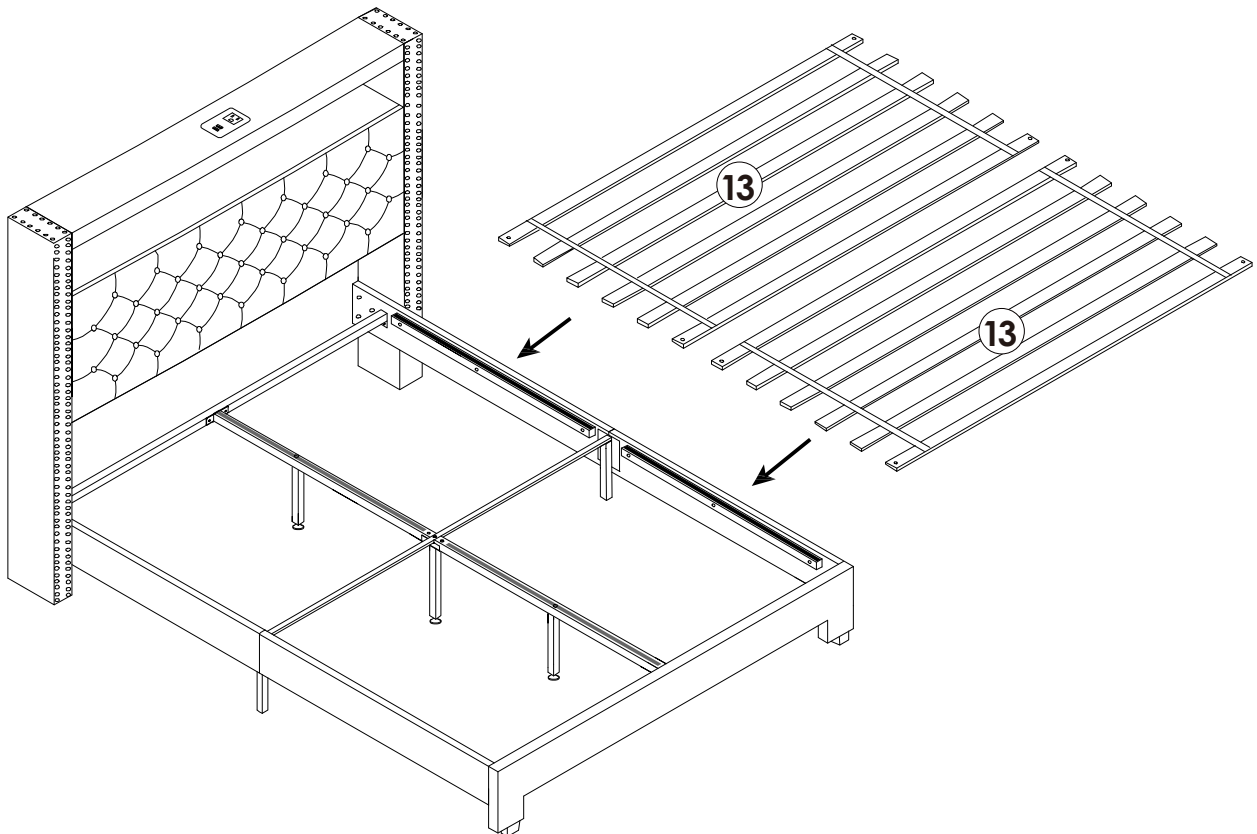
Assembly Instruction of (Bed)

STEP 17



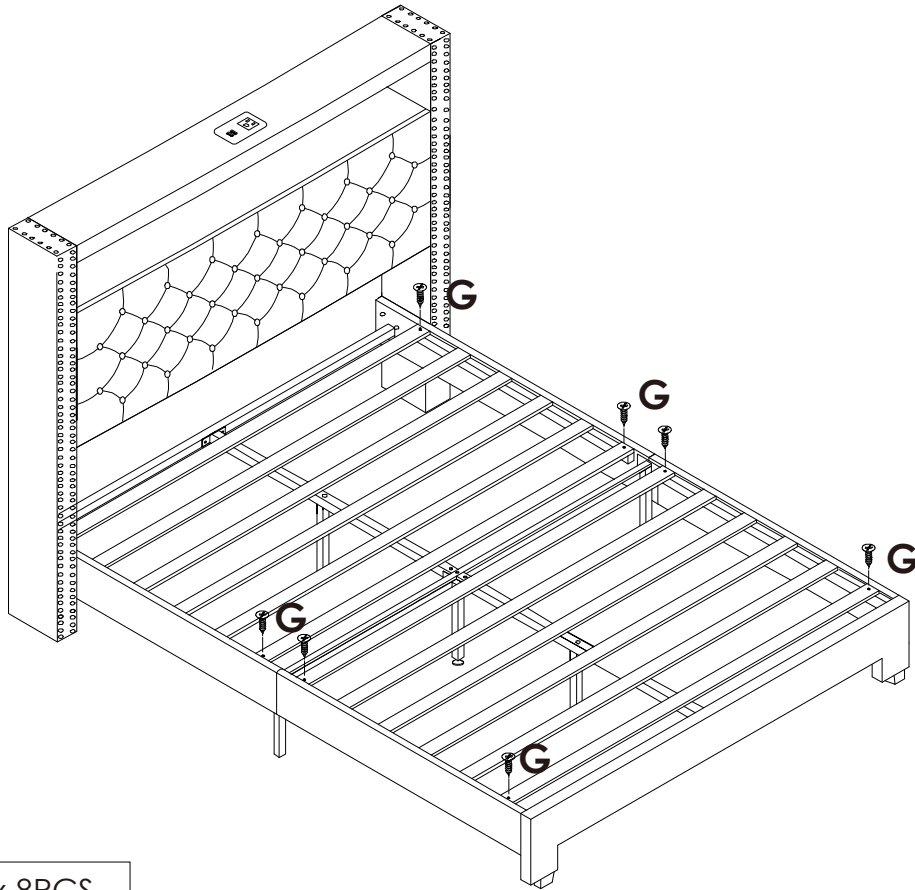
	A x 3PCS
	D x 3PCS
	E x 3PCS
	H x 1PC

STEP 18



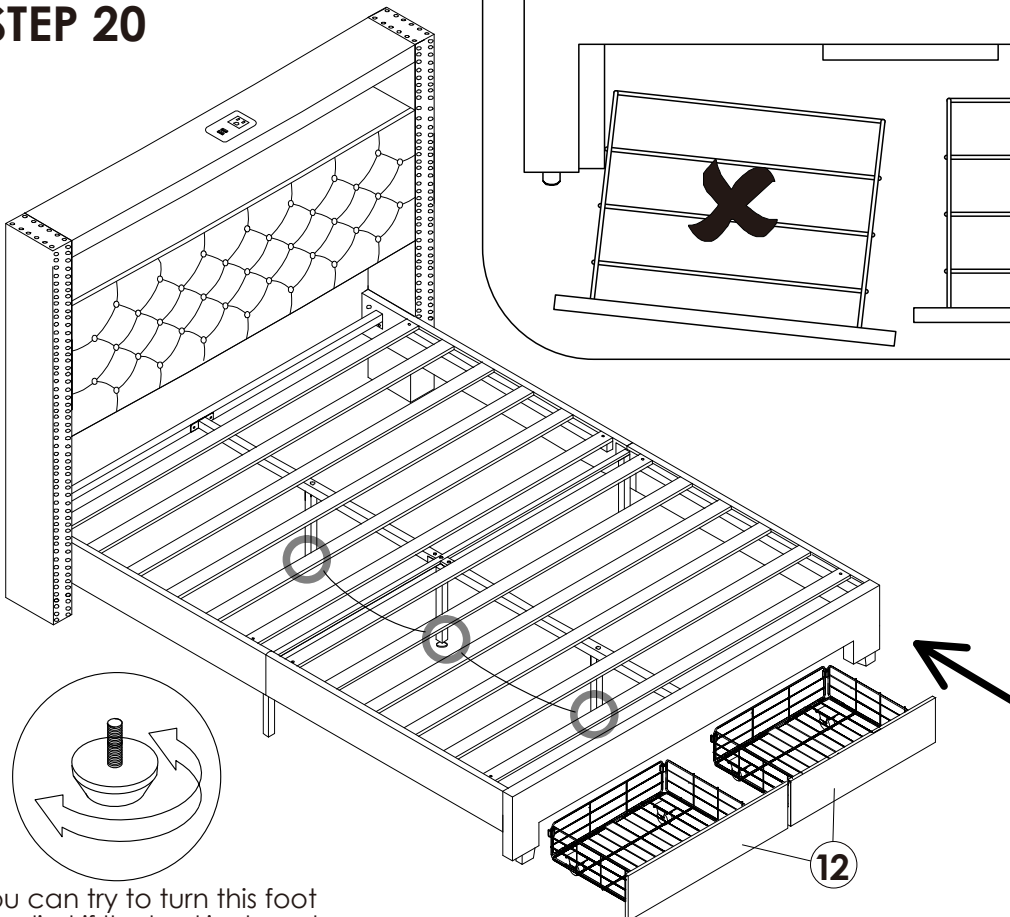
Assembly Instruction of (Bed)

STEP 19



G x 8PCS

STEP 20

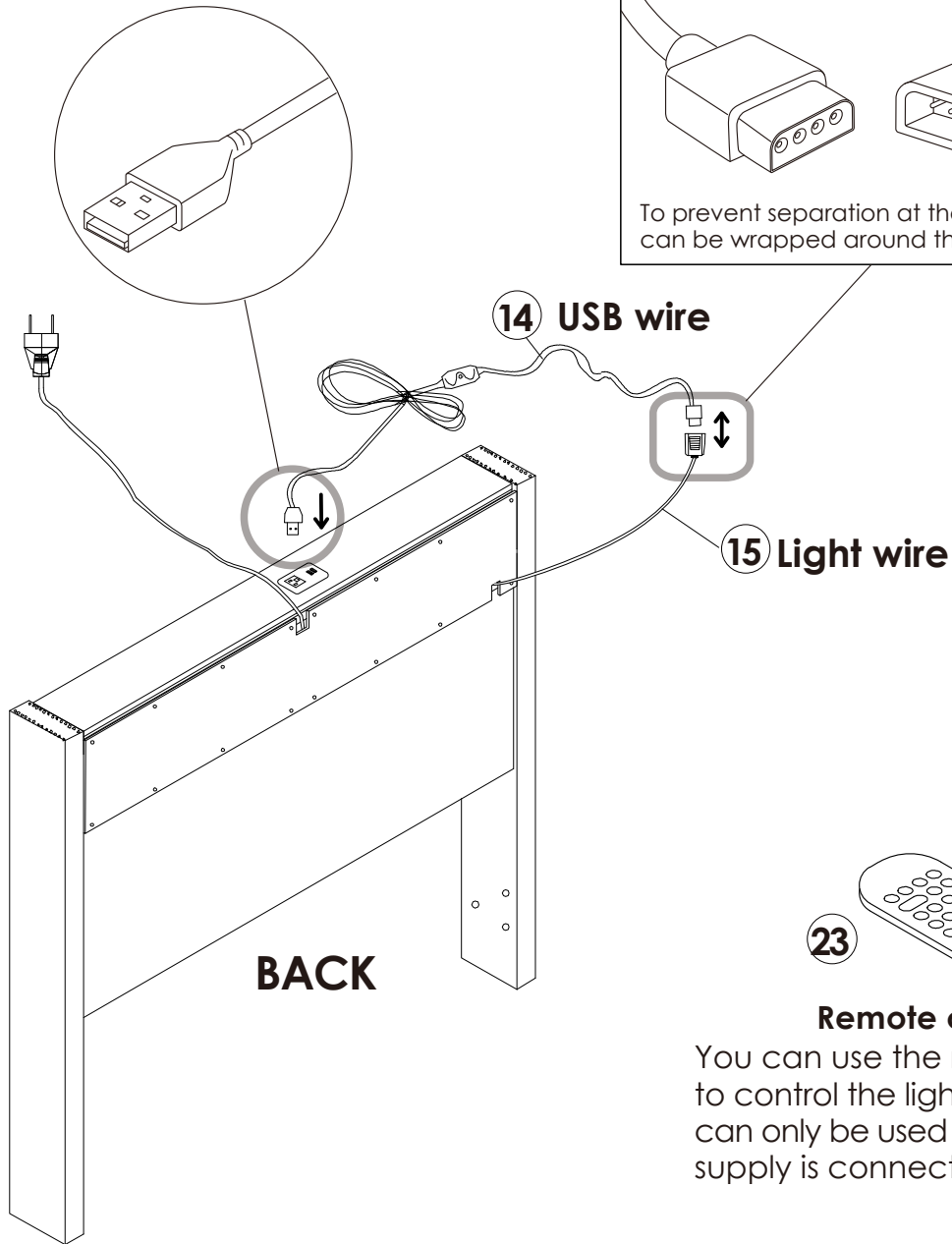
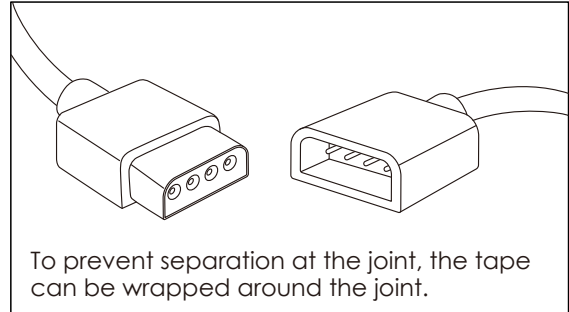


You can try to turn this foot to adjust if the bed is placed on an uneven floor.

Assembly Instruction of (Bed)

STEP 21

NOTE: The black part of the receiver needs to be exposed to air in order to better control the LED light.



You can use the remote control to control the light. The LED lamp can only be used after the power supply is connected

Please scan the QR code on the manual/controller and install the application.

Step1: Please make sure your phone has Bluetooth enabled.

Step2: The LED light will automatically connect to the APP.



Thanks Gracias!