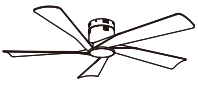


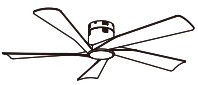
Ceiling Fan ***Installation Instruction***



SAFETY INFORMATION

Please read all safety information and instructions before installing the ceiling fan and save this manual for future reference.

SAFETY INFORMATION	01
PRE-INSTALLATION	02
PARTS LIST	03
INSTALLATION INSTRUCTION	04
OPERATION INSTRUCTION	07
TROUBLESHOOTING	10



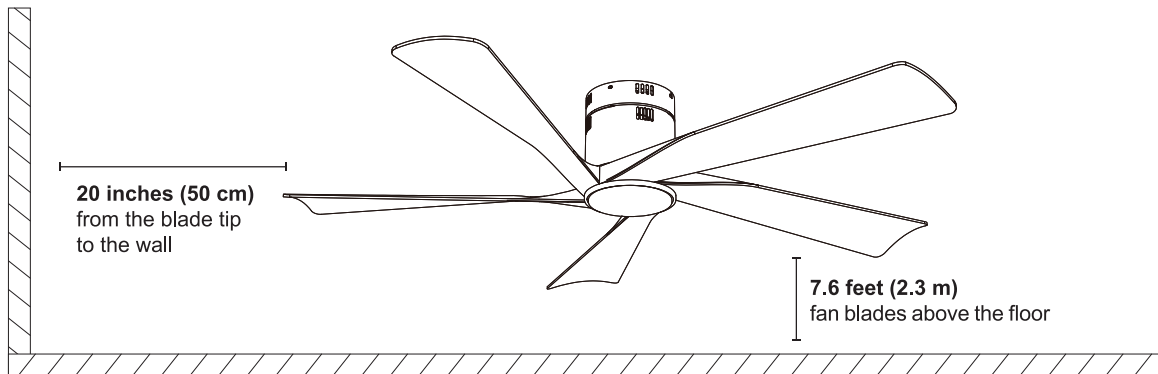
SAFETY INFORMATION



WARNING

- Before connecting the power supply, make sure that the power supply used matches the specifications of the ceiling fan.
- All wiring must comply with national and local electrical codes ANSI/NFPA70. If you are not familiar with wiring, please use a qualified electrician.
- To reduce the risk of fire or electric shock, turn off the power to the fuse box or circuit breaker before installing the fan.
- To reduce the risk of personal injury, attach the fan directly to the building's support structure and ensure that it can accept at least 35 pounds (15.9 kg).
- Make sure that the installation location allows the fan blades to rotate without obstacles.

Installation Location



WARNING

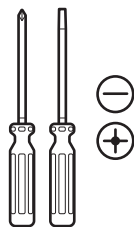
- Do not operate this fan with a variable (Rheostat) wall controller or dimmer switch.
- Doing so could result in damage to the ceiling fan's remote control unit.

PRE-INSTALLATION

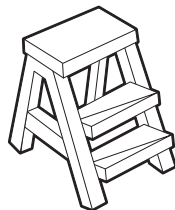
Tools Required (Not Included)



Power Drill



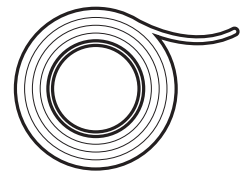
Screwdriver



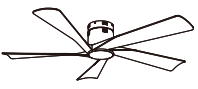
Step Ladder



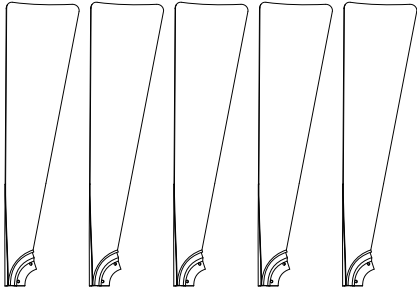
Wire Stripper



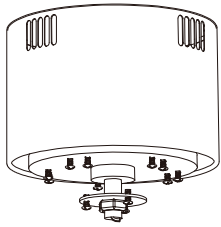
Electrical Tape



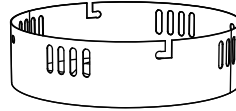
PARTS LIST



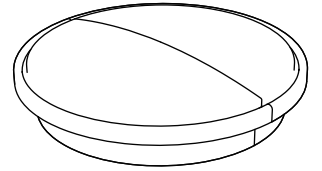
Fan Blade X 5



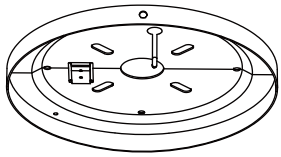
Motor X 1



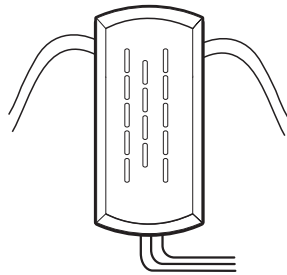
Ceiling plate X 1



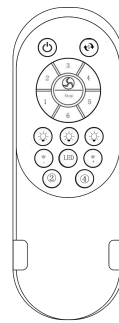
LED & LED light Pan X1



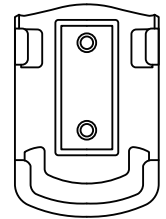
Bracket X 1



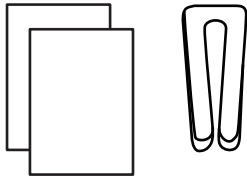
Receiver X 1



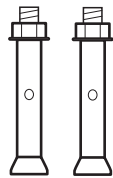
Remote Control X 1



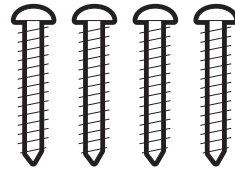
Remote Control Bracket X 1



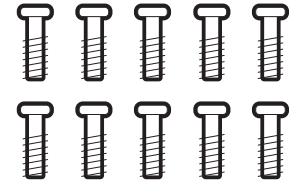
Balance Kit X 2



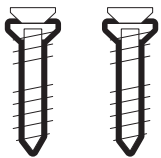
Expansion Bolt X 2



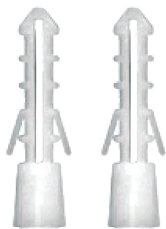
Self-tapping Screw X 4



Blade screw X 10



Remote Bracket
Screw X 2

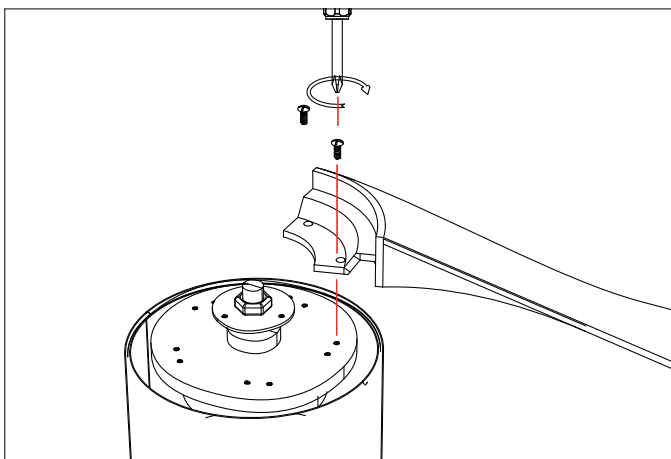


Aircraft Cap X 2



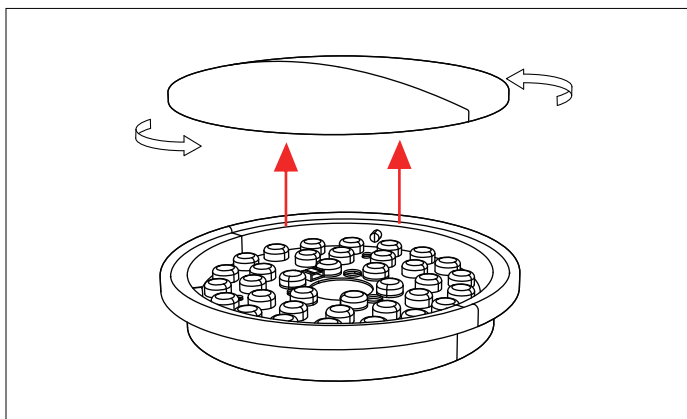
INSTALLATION INSTRUCTION

Step 1: Fan Blade Installation

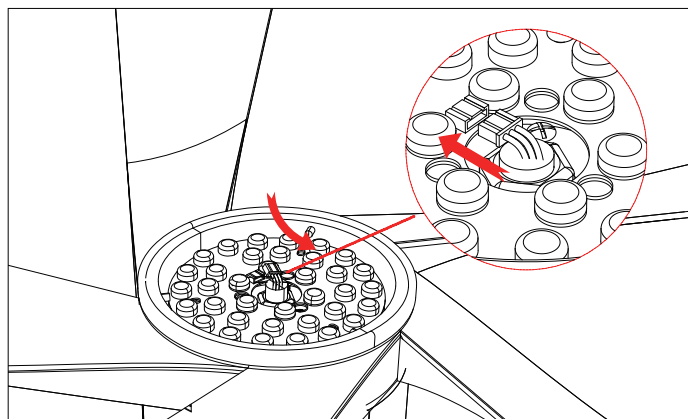


Align the screw holes on the blade and motor, and fix them with screws.

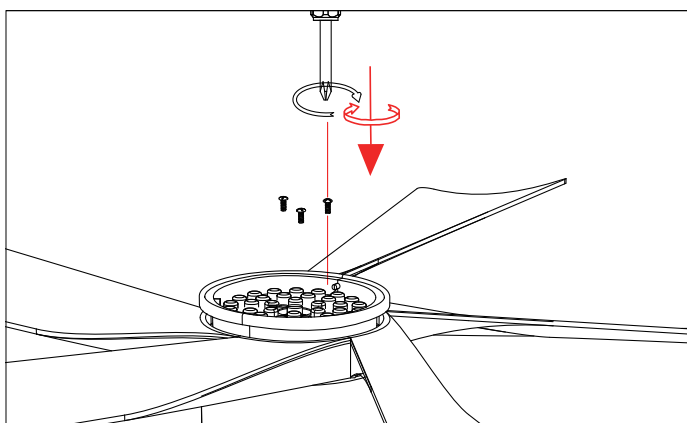
Step 2: Light Kit Installation



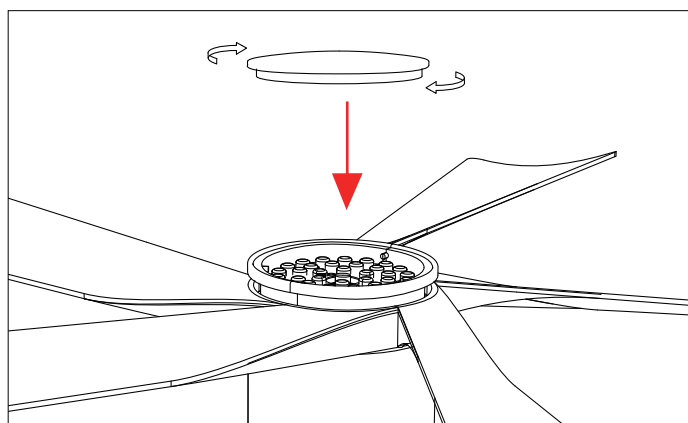
① Turn counterclockwise to remove the lampshade from the LED & LED light Pan.



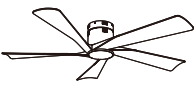
③ Connecting the light wire to the terminals on the LED light pan.



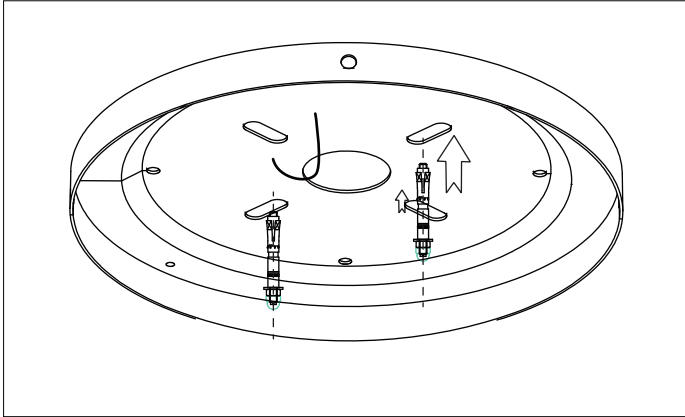
② Route the motor wires through the LED light panel, then align and tighten the screws into the appropriate holes.



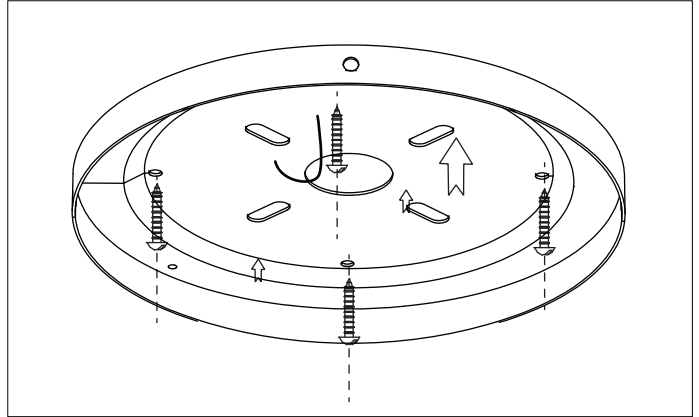
④ Put the lampshade to the LED light pan, tighten the lampshade clockwise.



Step 3: Bracket Installation

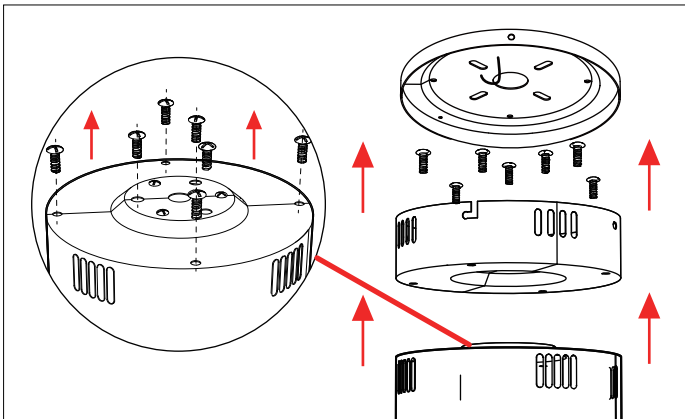


For the concrete ceiling:
Begin by marking the location on the ceiling. Then, use the 2 expansion screws provided to drill 2 holes in the ceiling, which will help secure the ceiling bracket. Attach the mounting bracket to the building structure using the 2 expansion screws provided, and tighten them firmly.

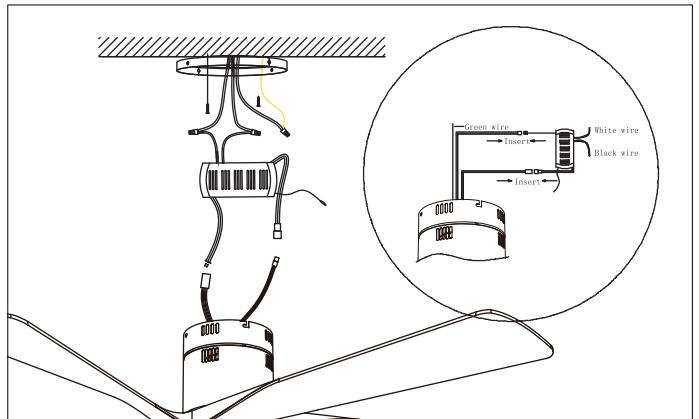


For the wood ceiling:
Start by marking the location for the ceiling fan. Then, use the 4 wood screws provided to securely attach the mounting bracket to the building structure.

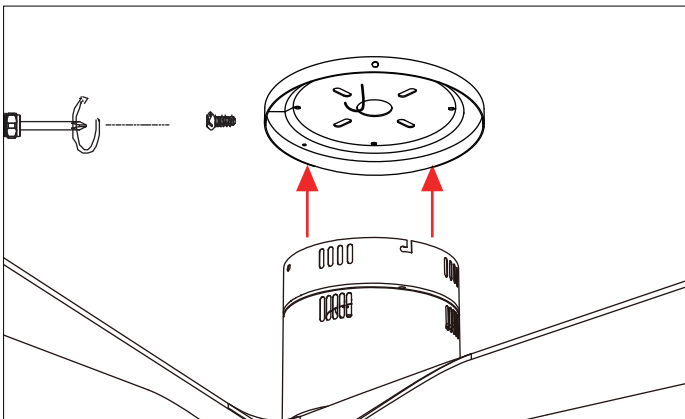
Step 4: Assembled Fan Installation



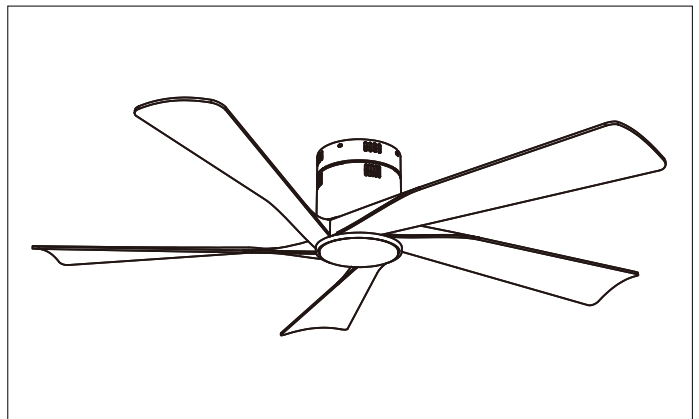
Remove the Bracket on top of the ceiling plate, remove the large screws on top of the motor cover, align the ceiling plate with the motor cover, and tighten the screws.
(Use hook to hang the fan light for easy installation.)



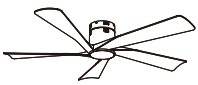
The receiver is connected to the motor power cord and the ceiling power cord respectively.



Fixed and locked with screws from the side of the ceiling tray.

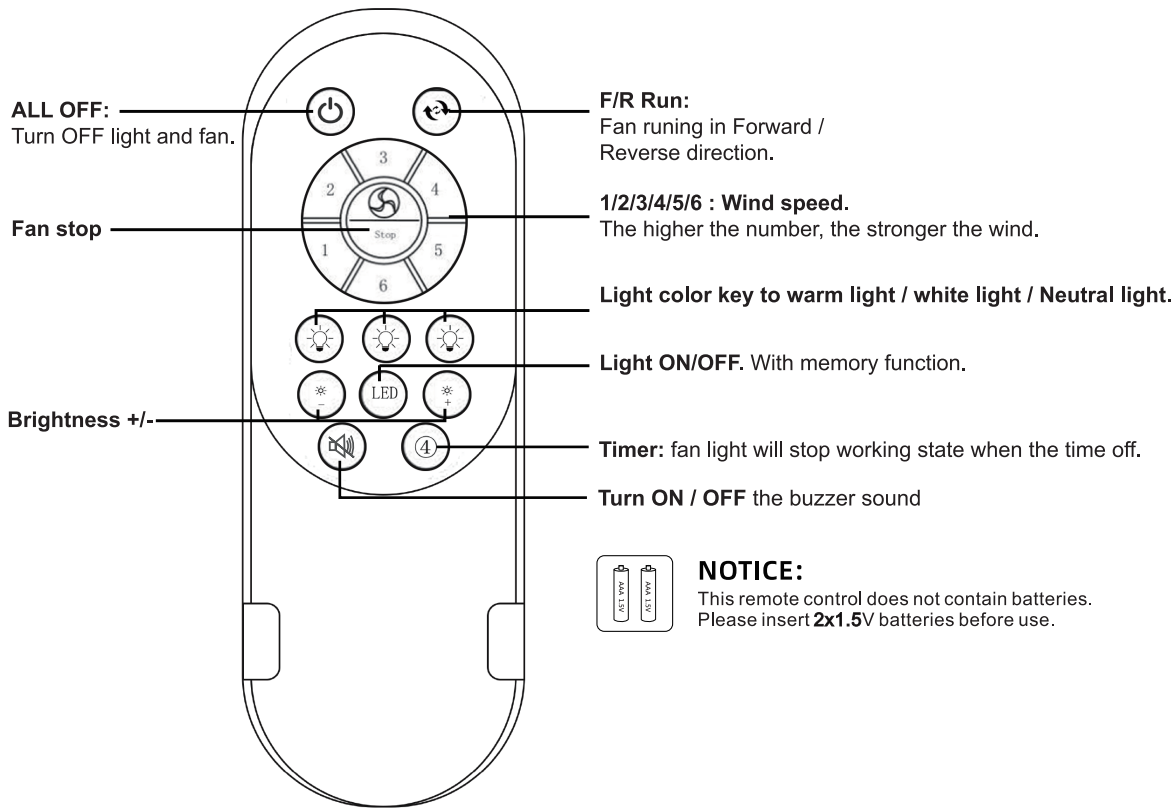


Complete.



OPERATION INSTRUCTION

How to Operate Your Ceiling Fan

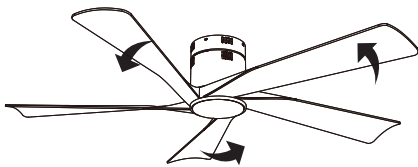


If remote control no function, please match code as below:

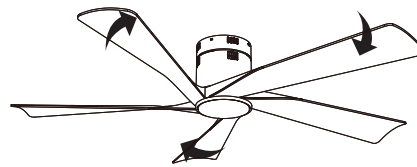
Turn on the wall light switch, quickly long press the  key within 5 seconds. The light flash, means the code matching is successful.

Otherwise, turn off the main power supply of the lamp and then reoperate this step until the light flashe and the code matching is successful.

Reversible Function



Summer (Forward):
A downward airflow creates a cooling effect.




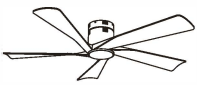
Winter (Reverse):
An upward airflow increases the indoor temperature.

PS: If you want to change the fan's rotation direction, please press the button while the fan is running.

Timing Control

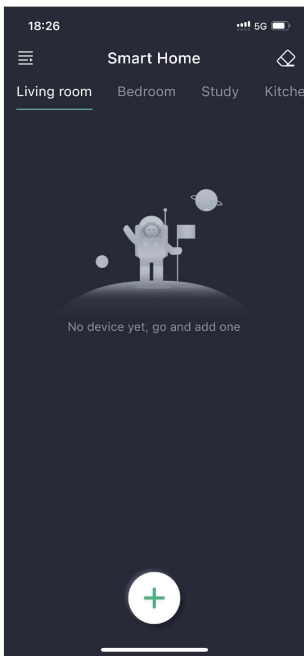
1H/4H/8H The fan will automatically shut off after 1H/4H/8H hours.

Close the Timing Control: Press the button "  "

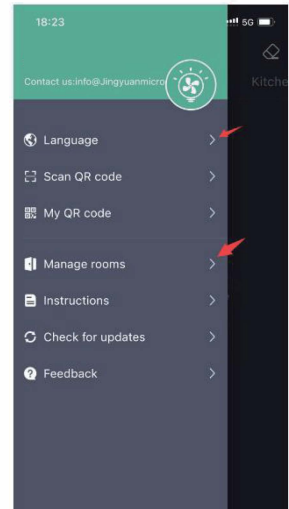


How TO Use the Mobile APP

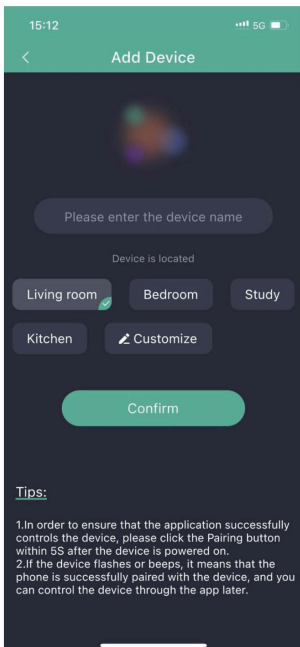
1. Download the APP (Andriod could download from GOOGLE PLAY STORE)



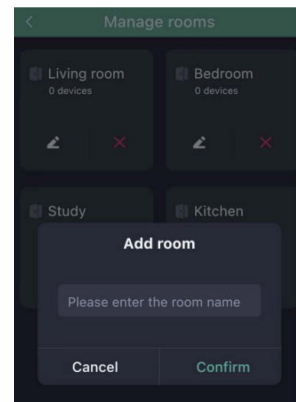
2. Choose the Language and Manage room information



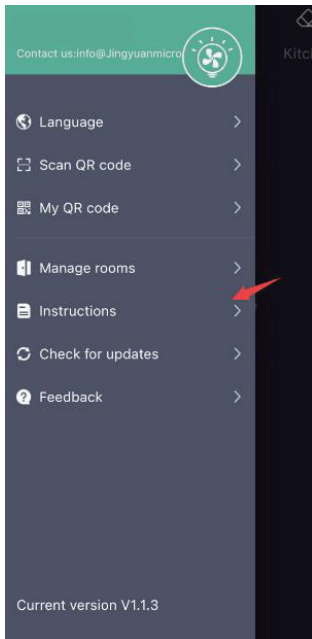
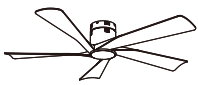
3. Add a new fan.



4. Choose a name for a new fan and select the room where it is located

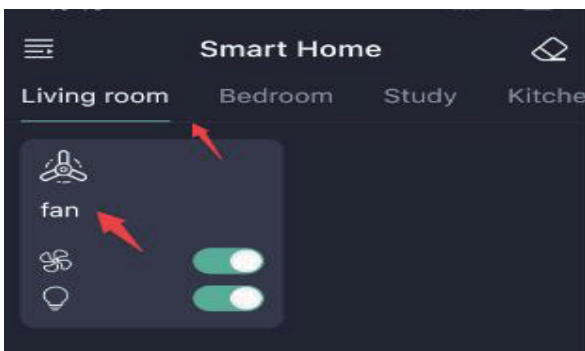
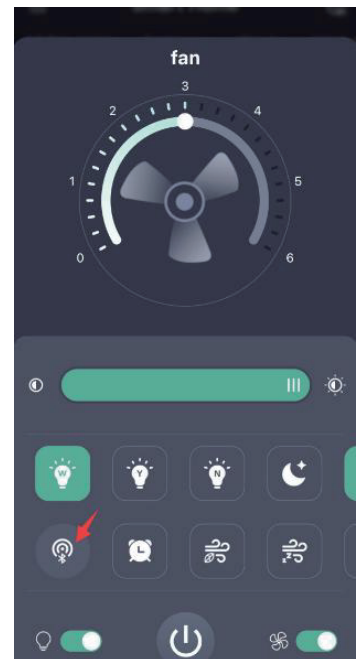


5. In case, it isn't located in one of the predetermined locations, select the Personalize option and add a new room.

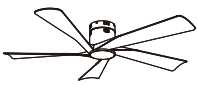


6. Follow APP's instruction to operate the ceiling fan.
NOTE: Only one device can be paired.
Once a new device is paired,the previous device will no longer be.

7.Enter the main control interface,turn on the Bluetooth from smart phone, turn off the electric power supply, and then turn on the electric power supply again, the LED of the ceiling fan is bright and the Bluetooth of device is ready for connecting to smart phone. Finally, click the Pairing Button in APP within 5 seconds of power. If the pairing button is green, the ceiling fan has been connected with smart phone. APP can control the ceiling fan now.



8.Enter room and Click the Fan control interface.



TROUBLESHOOTING

Warning: For your own safety turn off power at fuse box or circuit breaker before trouble shooting your fan.

TROUBLE	Probable Cause	Suggested Remedy
FAN AND LIGHT DO NOT WORK BUT WIRES CONNECTED WELL	The AC power from wall controller or dimmer switch.	Do not operate this fan with a variable (Rheostat)wall controller or dimmer switch. Choose the switch as this introduction showed.
FAN WILL NOT START	<ol style="list-style-type: none"> 1.Fuse or circuit breaker blown. 2.Loose power line connections to the fan, or loose switch wire connections in the switch housing. 3.Reversing switch in neutral position. 4. Dead battery in remote control. 	<ol style="list-style-type: none"> 1.Check main and branch circuit fuses or circuit breakers. 2.Check line wire connections to fan and switch wire connections in the switch housings. CAUTION: Make sure main power is turned off ! 3.Make sure reversing switch position is all the way to one side. 4.Replace with new battery.
FAN SOUNDS NOISY	<ol style="list-style-type: none"> 1.Loose screws in motor housing. 2.Wire connectors inside housing rattling. 3.Motor noise caused by solid state variable speed control. 	<ol style="list-style-type: none"> 1.Check to make sure all screws in motor housing are snug (do not overtighten). 2. Check to make sure wire connectors in switch housing are not rattling against each other or against the interior wall of the switch housing. CAUTION: Make sure main power is turned off ! 3.Some fan motors are sensitive to signals from solid-state variable speed controls. Solid-state controls are not recommended, choose an alternative controlmethod.
FAN WOBBLERS EXCESSIVELY	<ol style="list-style-type: none"> 1.Setscrew in downrod support is loose. 2.Setscrew in downrod/hanger ball assembly is loose. 3.The groove hanger ball not lined up with the tab. 4.Hanger bracket and/or ceiling outlet box is not securely fastened. 	<ol style="list-style-type: none"> 1.Tighten both setscrews securely in downrod support. 2.Tighten the setscrew in the downrod/hanger ball assembly. 3.Re-hanging the hanger ball secure the tab into the groove. 4.Tighten the hanger bracket screws to the outlet box, and secure outlet box.