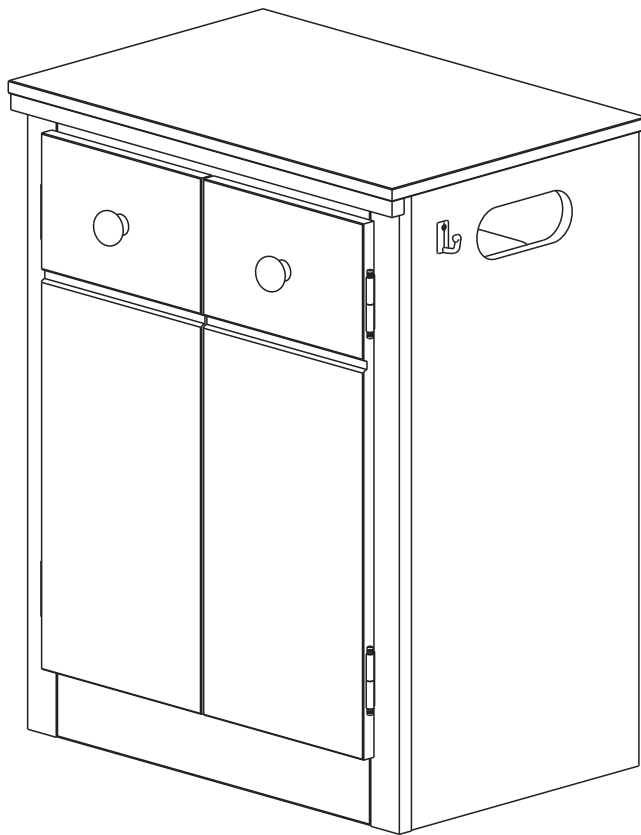
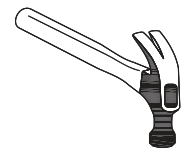
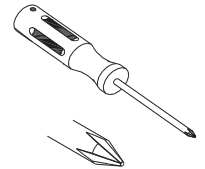
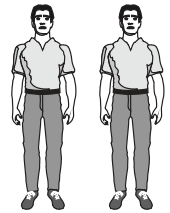


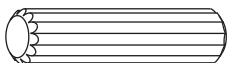
ASSEMBLY INSTRUCTIONS



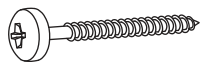
01:00 Hs



HARDWARE INCLUDED



A - 8,0x25 Wood Dowel
Qty. 20



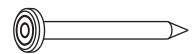
B - 4,0x30 Screw
Qty. 19



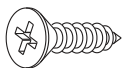
C - Clasp
Qty. 02



D - Shelf support
Qty. 04



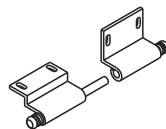
E - 10x10 Nail
Qty. 20



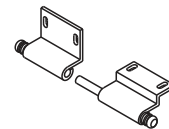
F - 3,5x16 Screw
Qty. 25



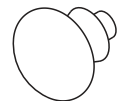
G - 3,5x16 Screw
Qty. 08



H - Right Hinge
Qty. 02



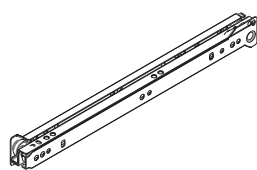
I - Left Hinge
Qty. 02



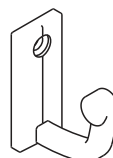
J - Door Knob
Qty. 02



K - Clasp support
Qty. 02



L - Slide 350mm
Qty. 01

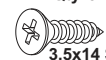


M - Hanger
Qty. 01

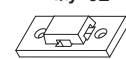
Anti-Tip Kit



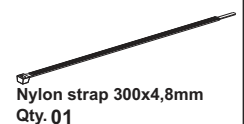
4,0x30 Screw
Qty. 02



3,5x14 Screw
Qty. 02



Plastic wall bracket
Qty. 02

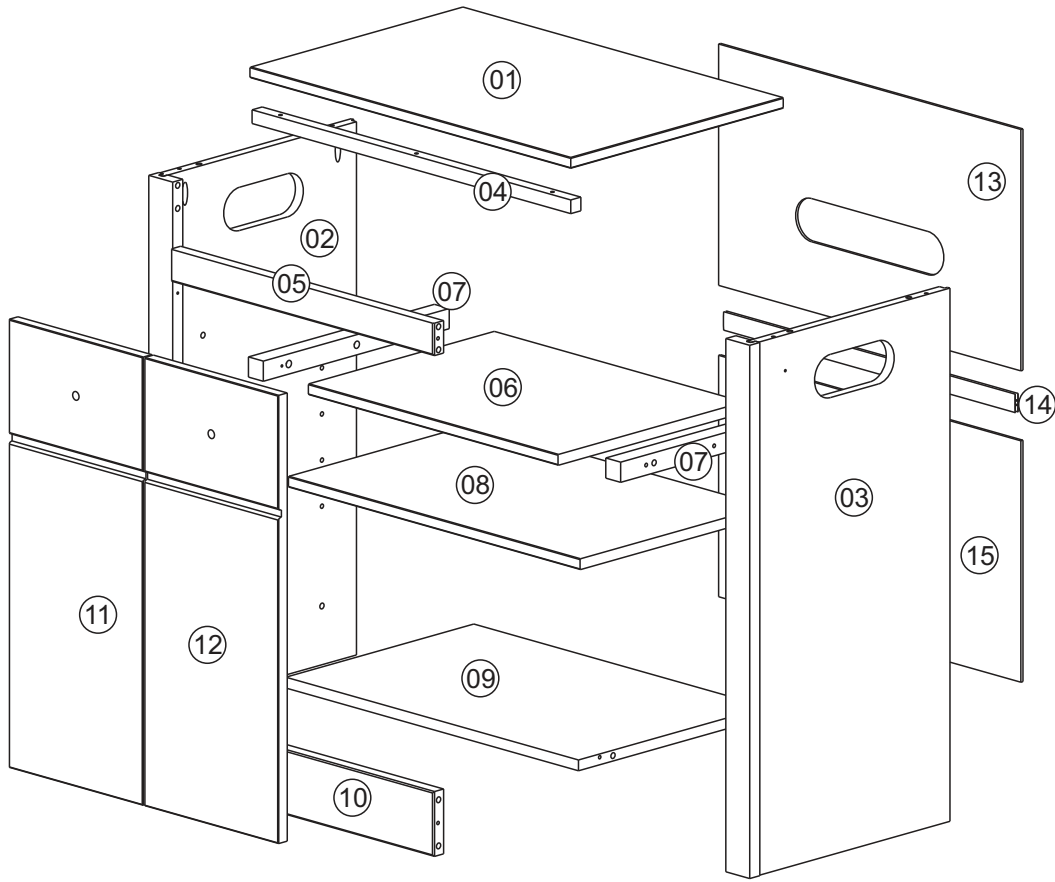


Nylon strap 300x4,8mm
Qty. 01

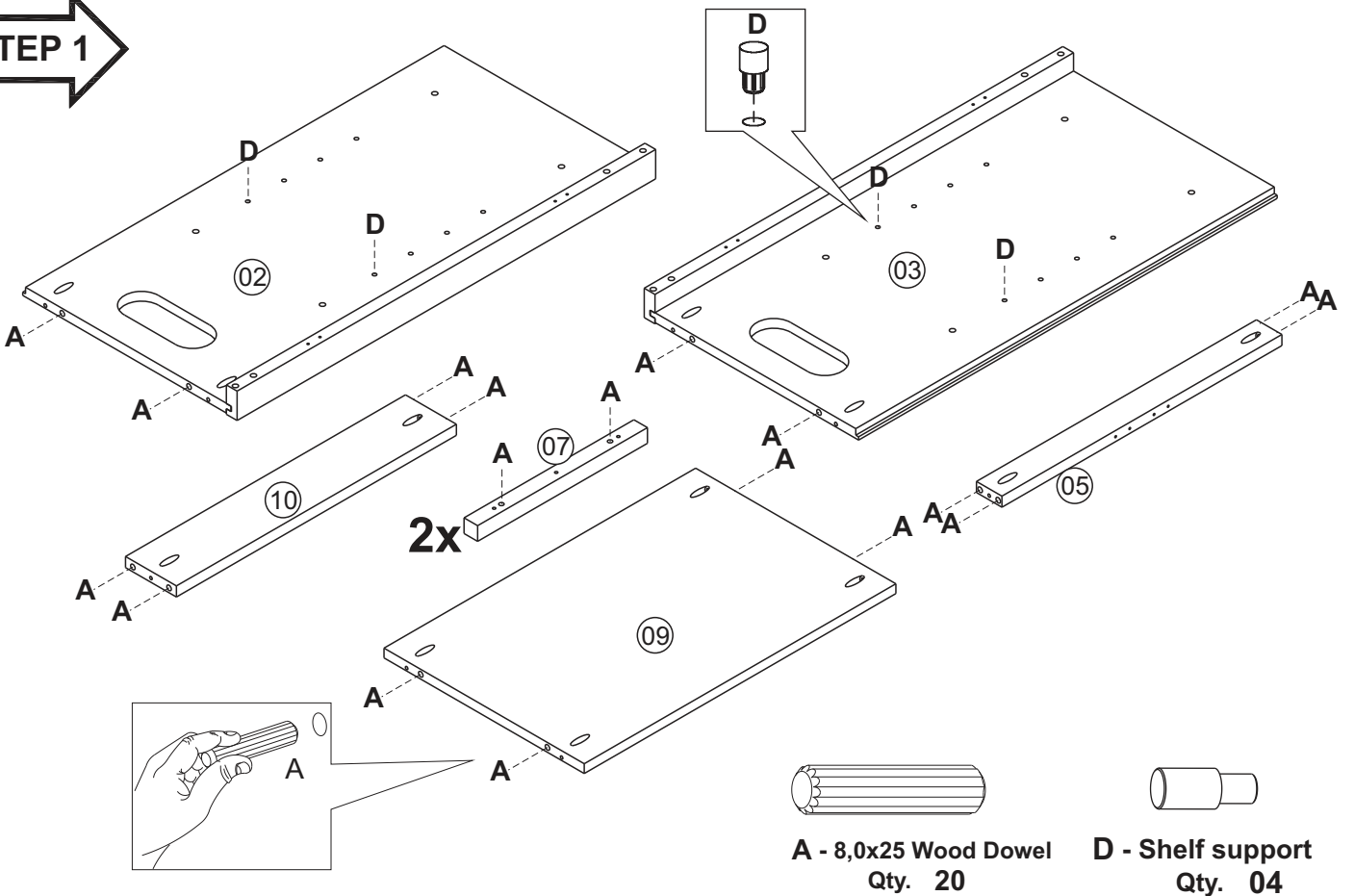


Plastic screw anchor 6mm
Qty. 02

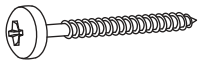
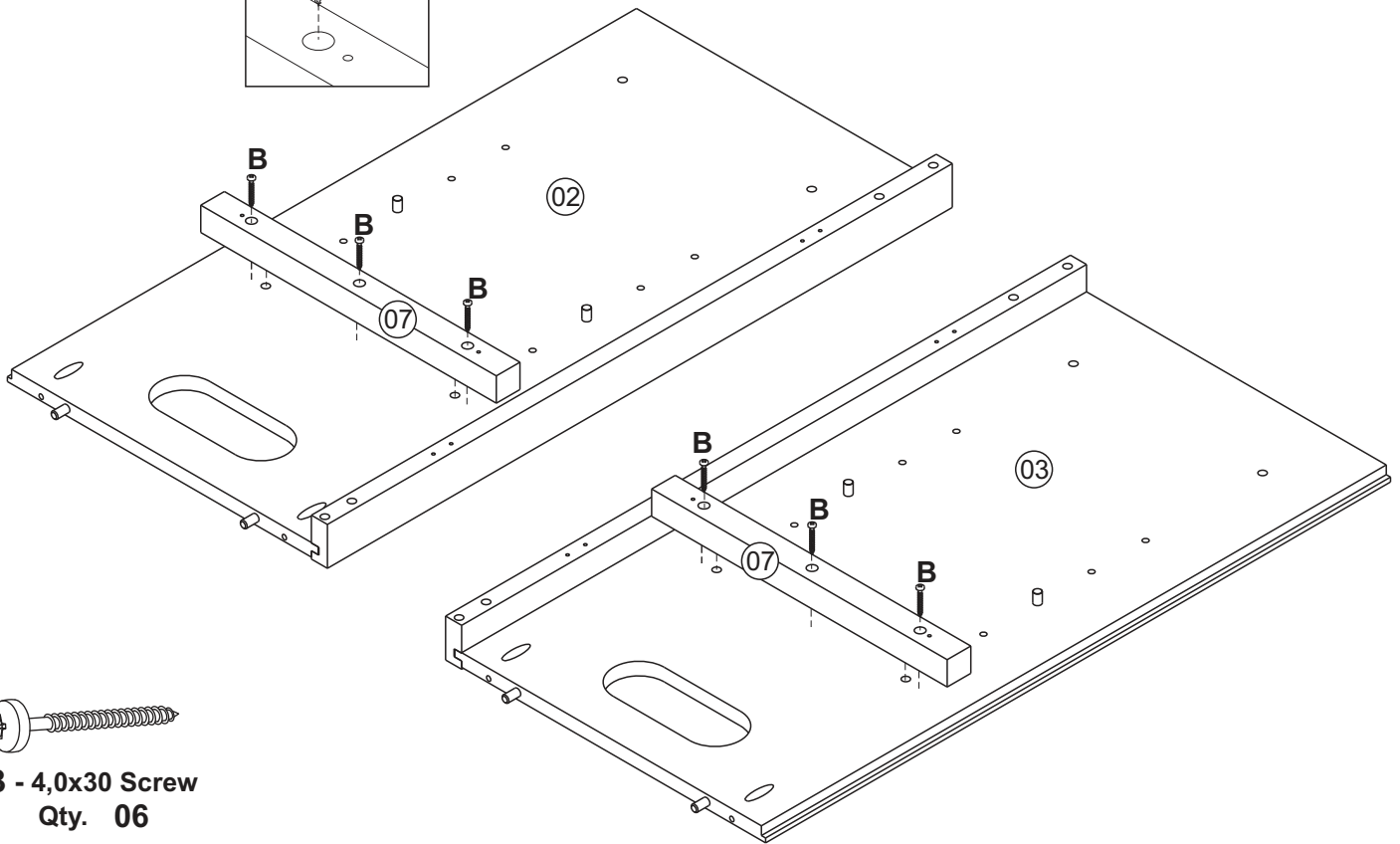
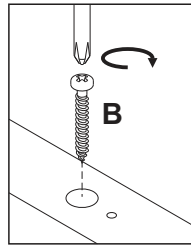
PARTS INCLUDED



STEP 1

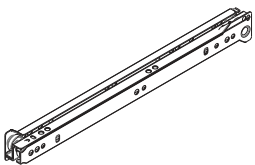
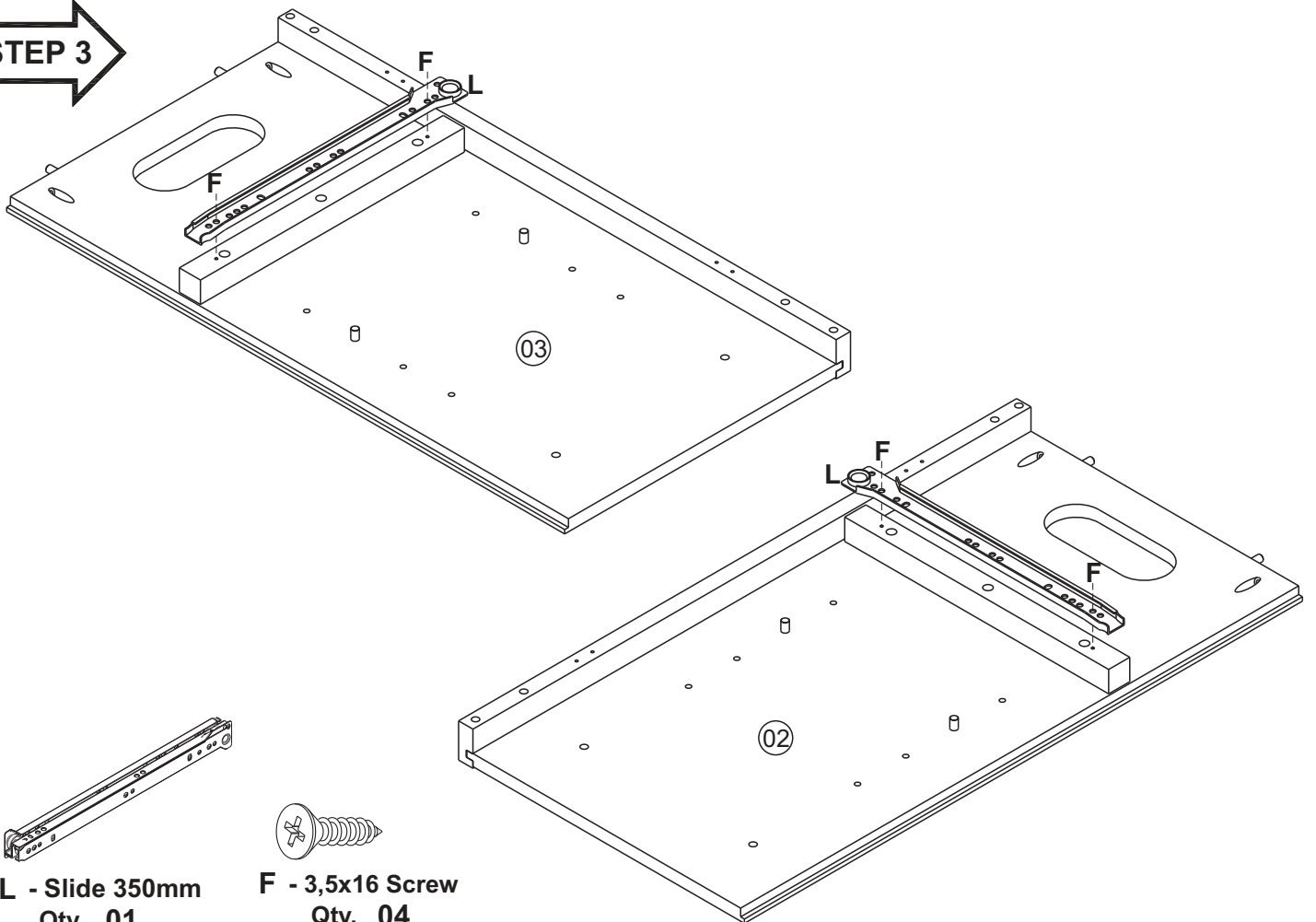


STEP 2



B - 4,0x30 Screw
Qty. 06

STEP 3

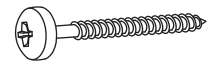
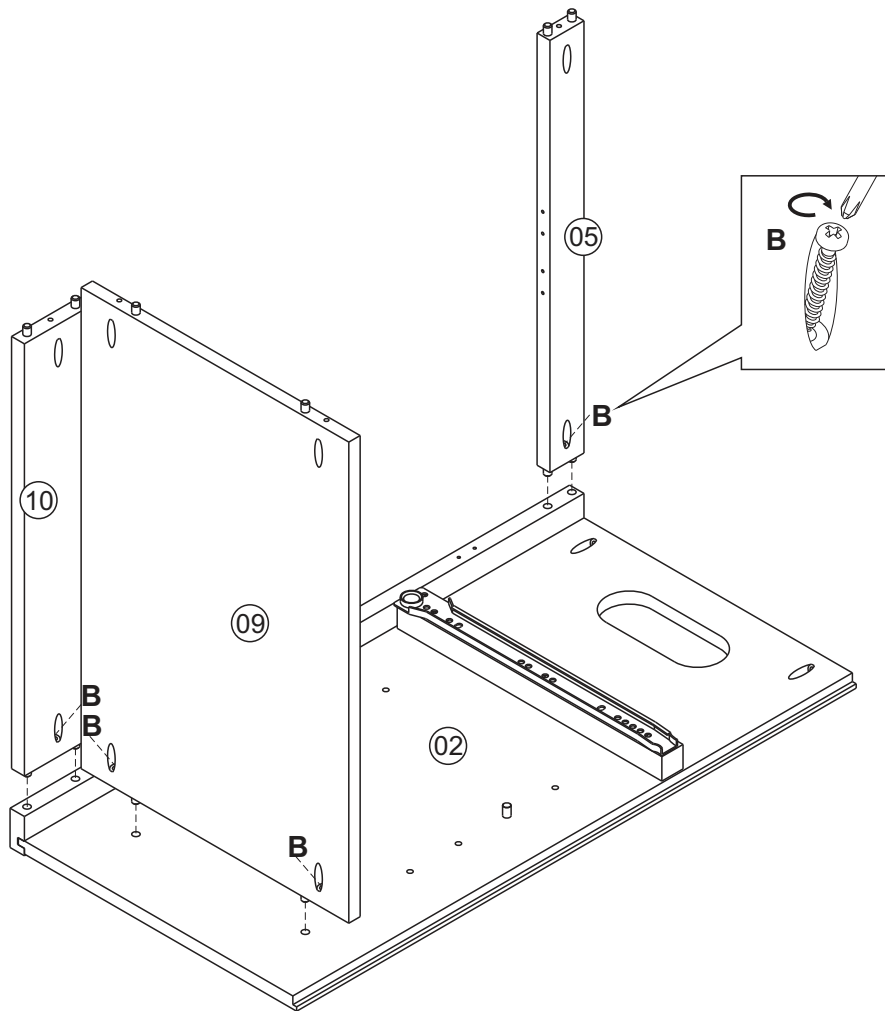


L - Slide 350mm
Qty. 01



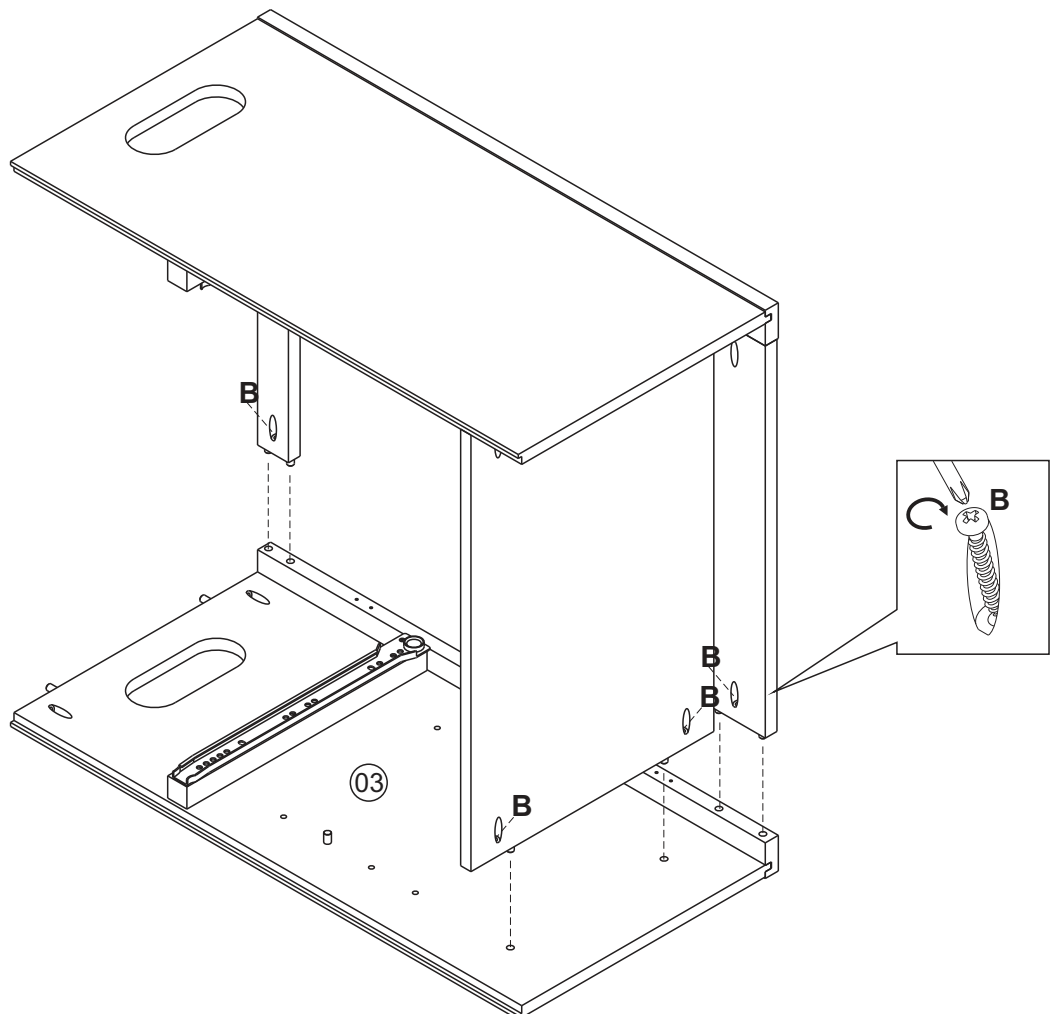
F - 3,5x16 Screw
Qty. 04

STEP 4



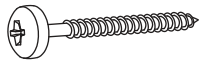
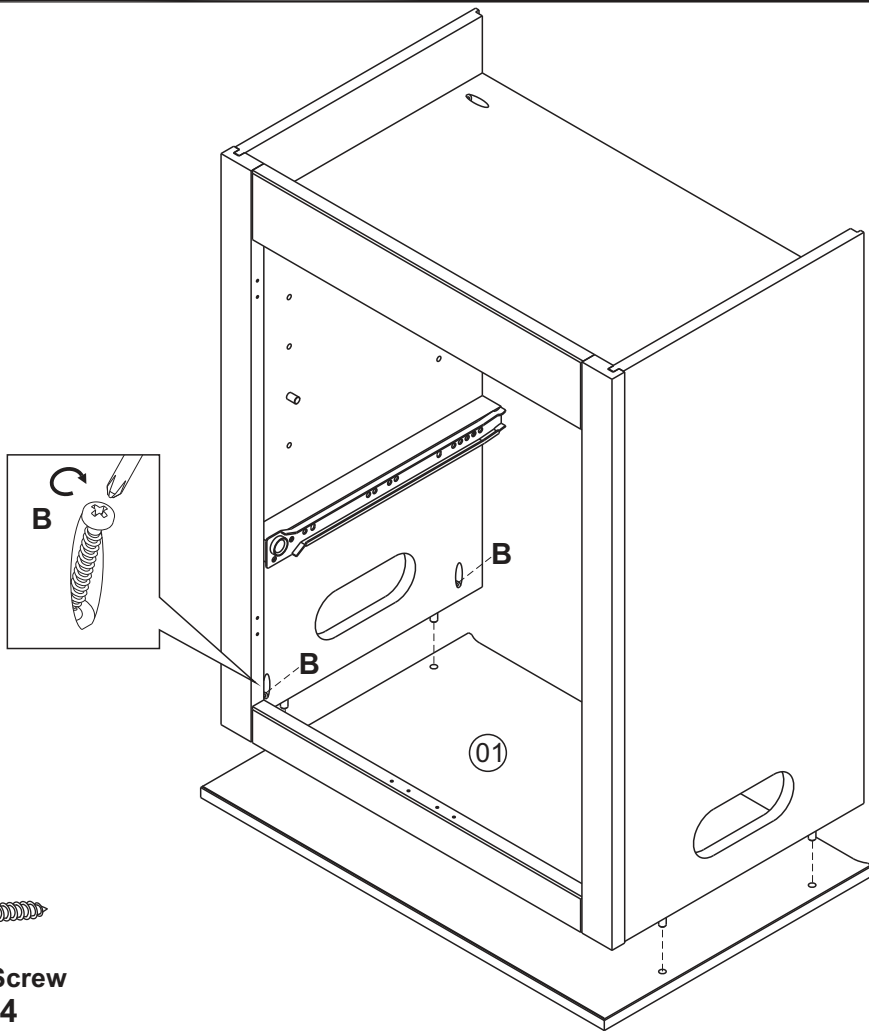
B - 4,0x30 Screw
Qty. 04

STEP 5



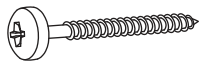
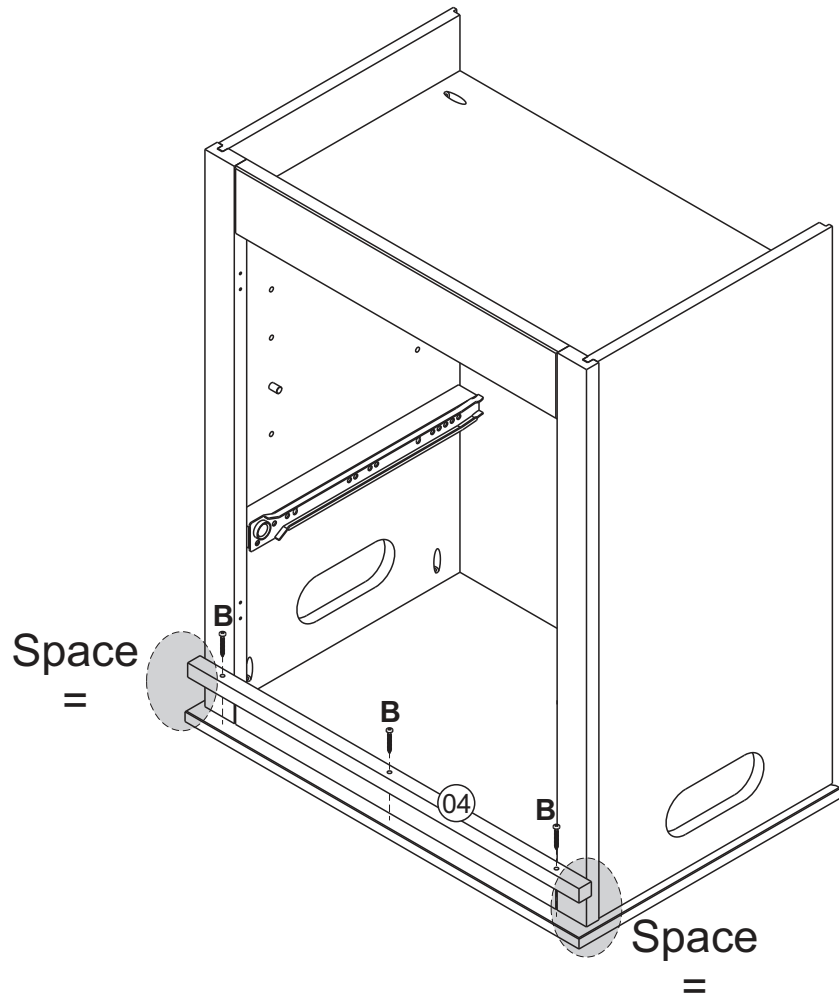
B - 4,0x30 Screw
Qty. 04

STEP 6



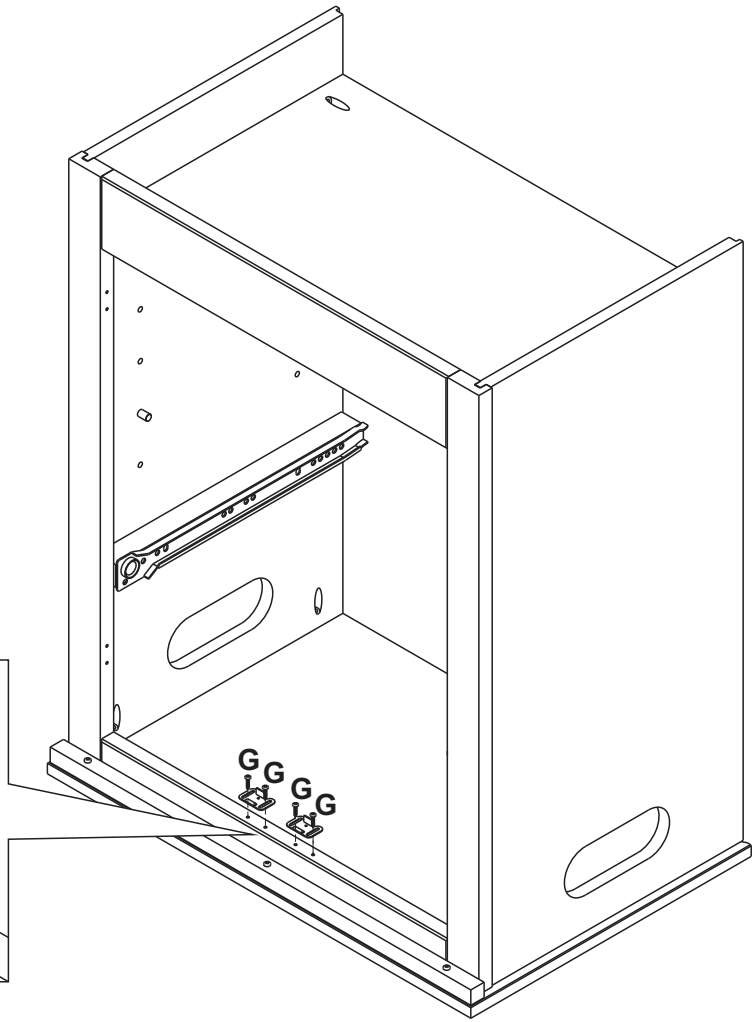
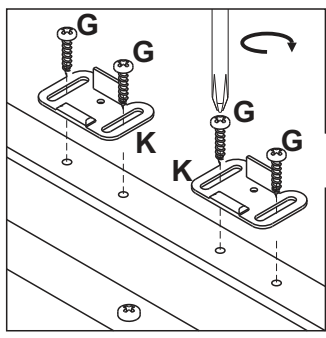
B - 4,0x30 Screw
Qty. 04

STEP 7

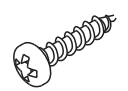


B - 4,0x30 Screw
Qty. 03

STEP 8

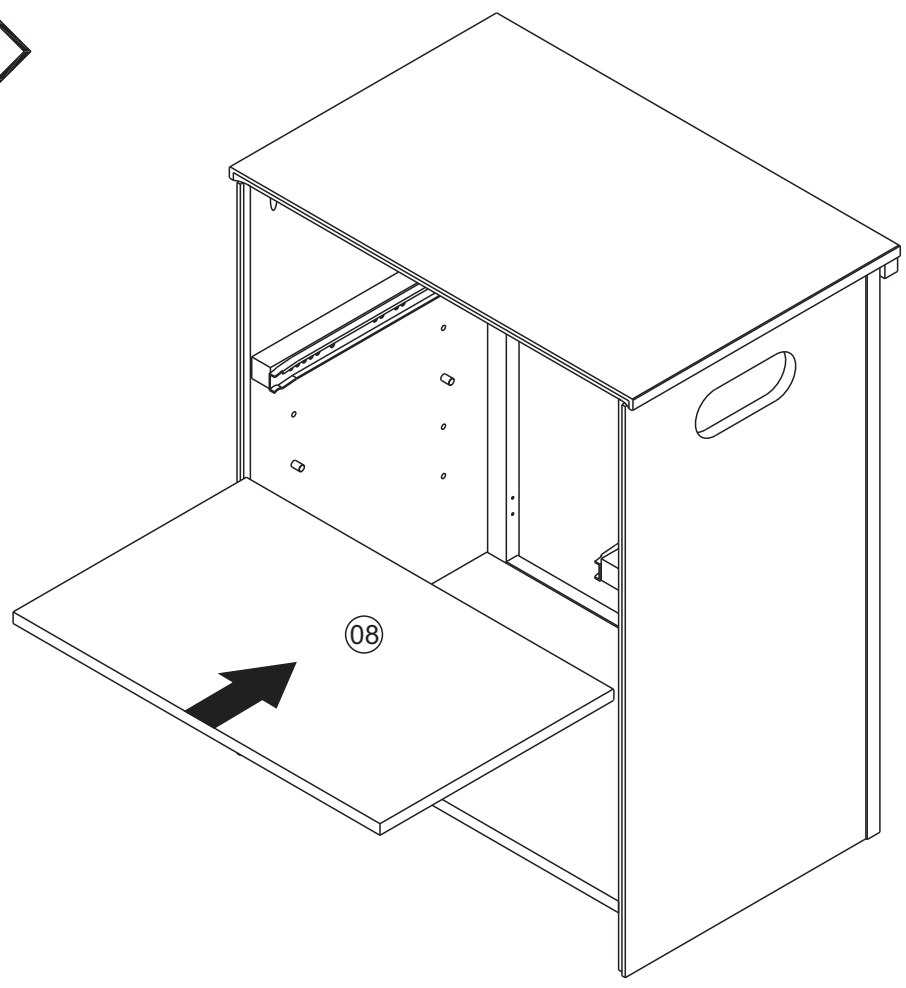


K - Clasp support
Qty. 02

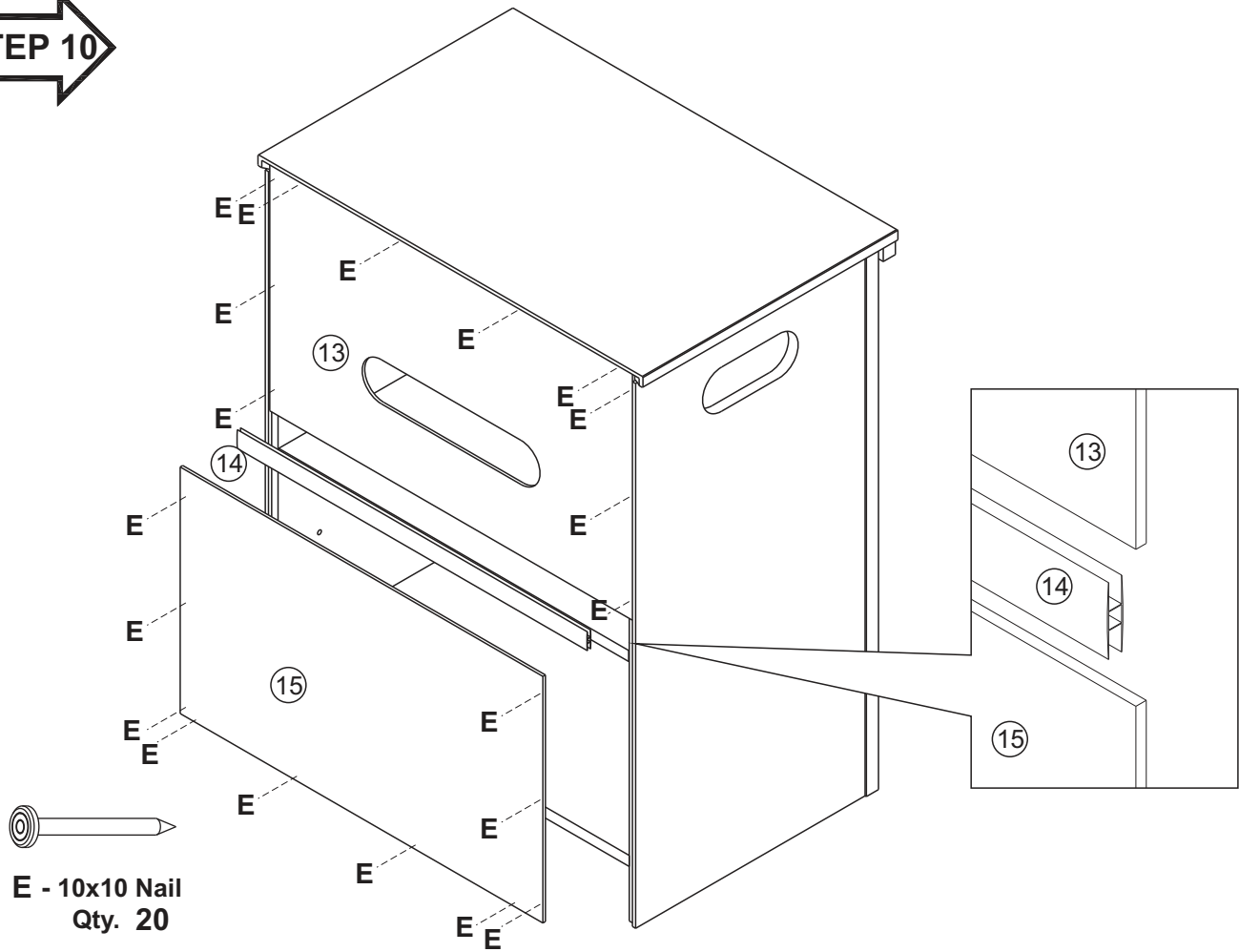


G - 3,5x16 Screw
Qty. 04

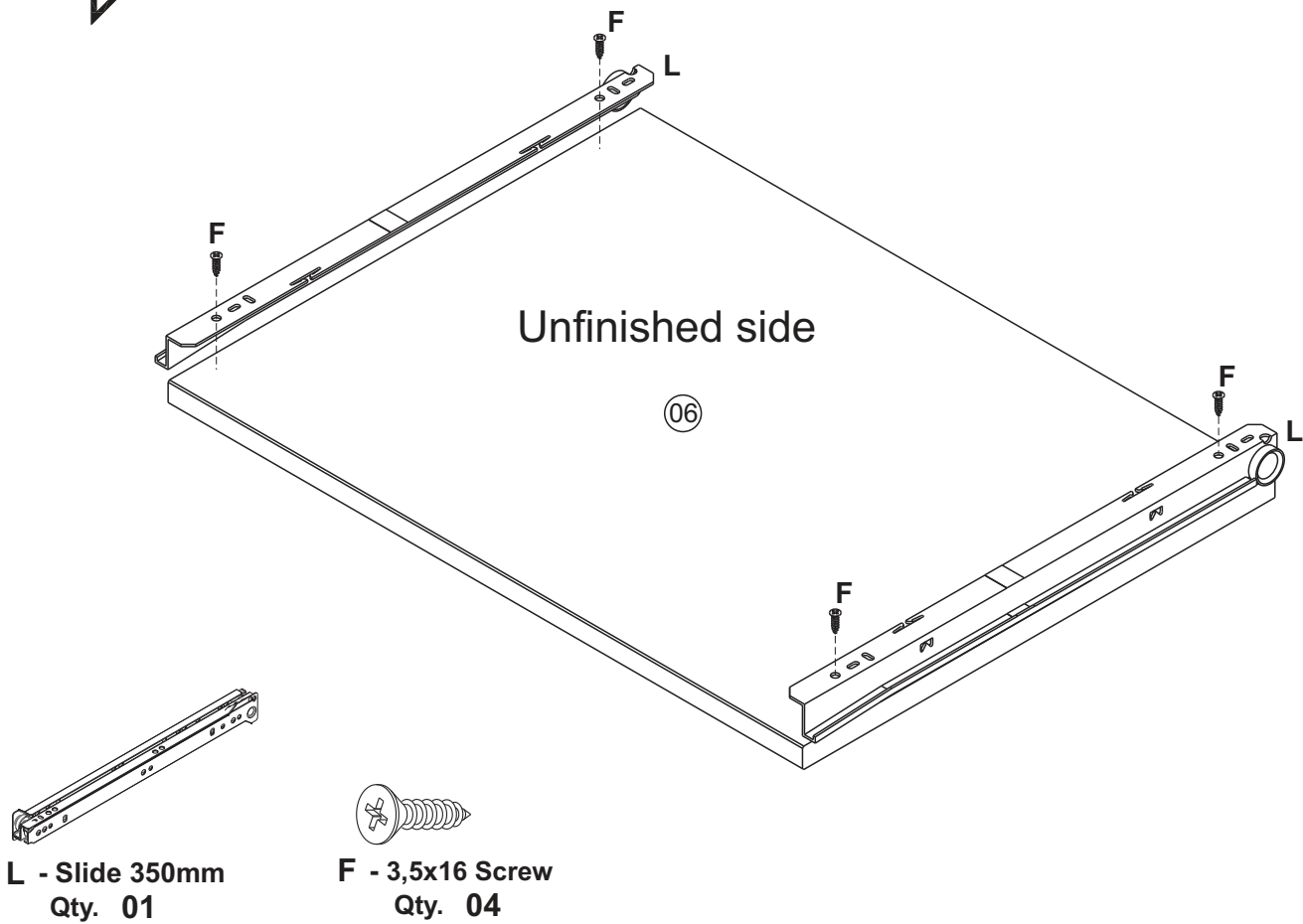
STEP 9



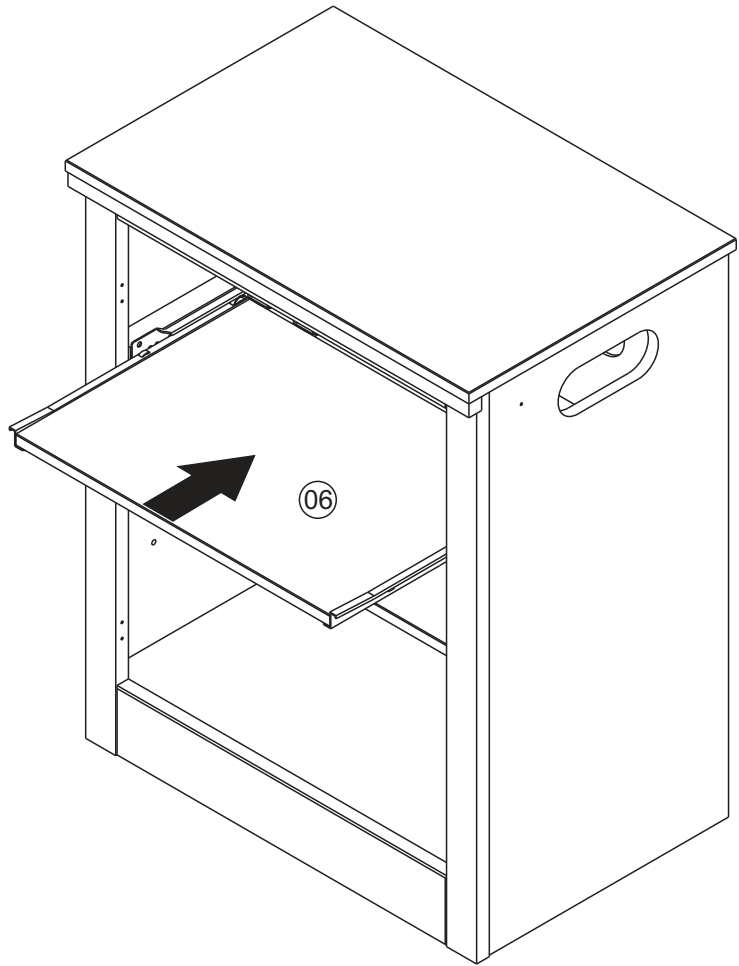
STEP 10



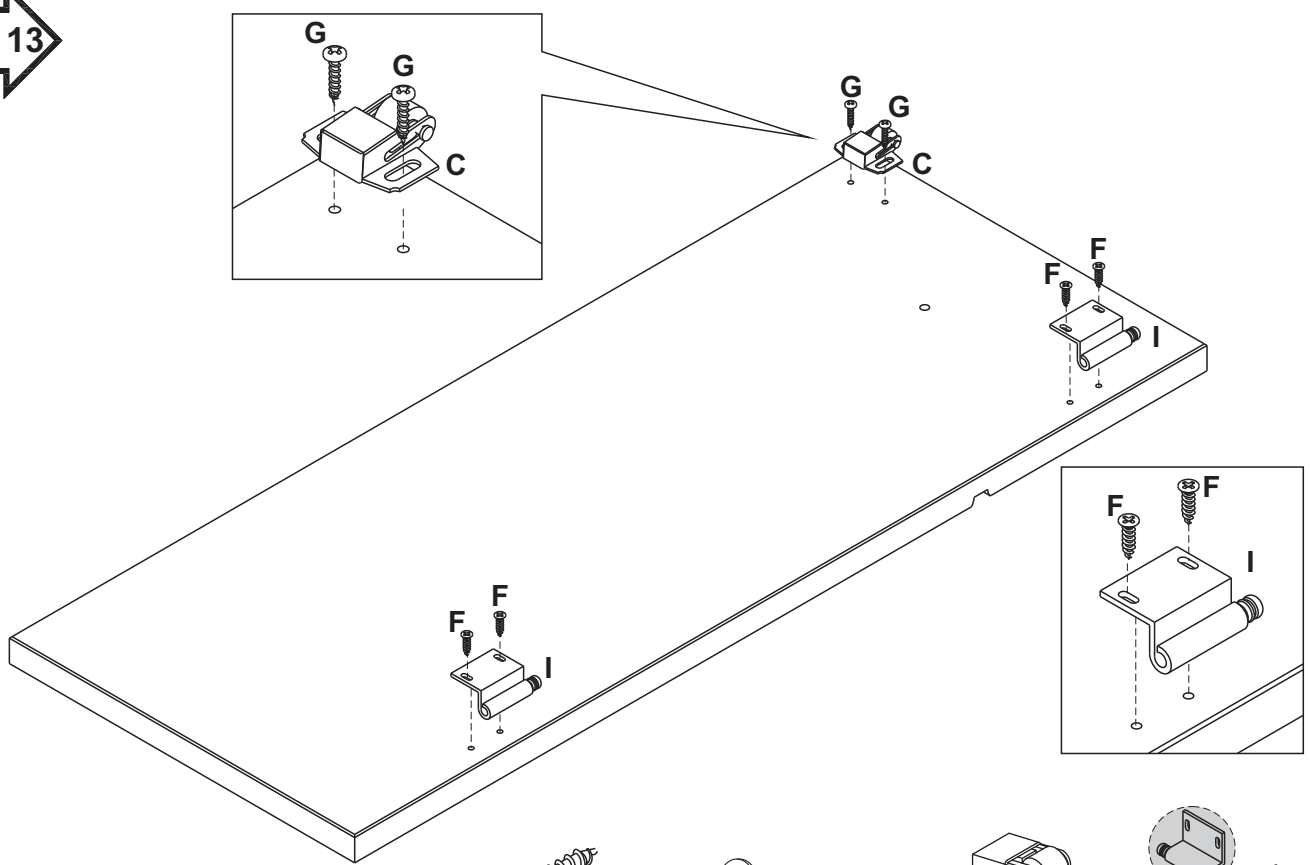
STEP 11



STEP 12



STEP 13



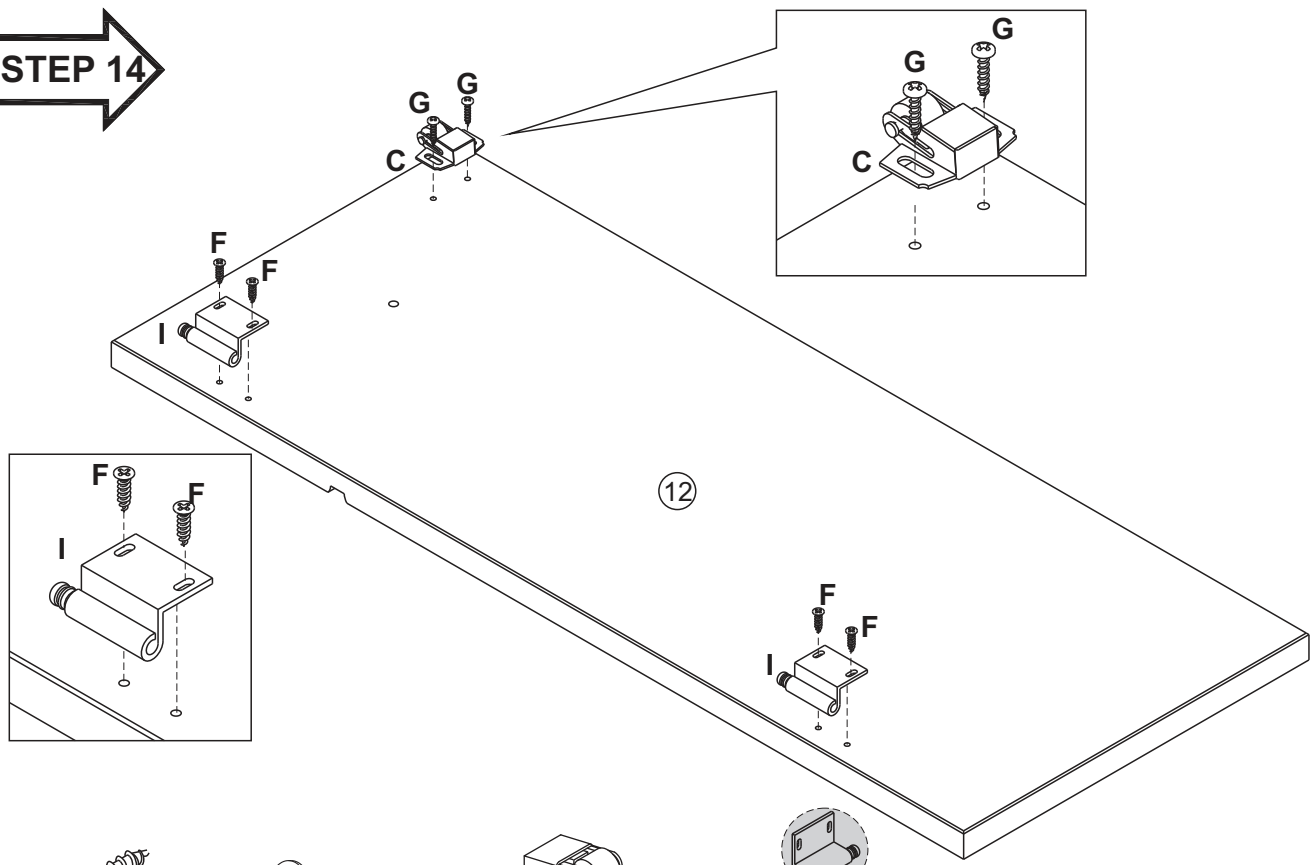
G - 3,5x16 Screw
Qty. 02

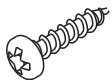
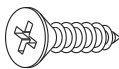
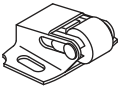
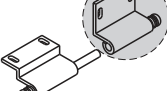
F - 3,5x16 Screw
Qty. 04

C - Clasp
Qty. 01

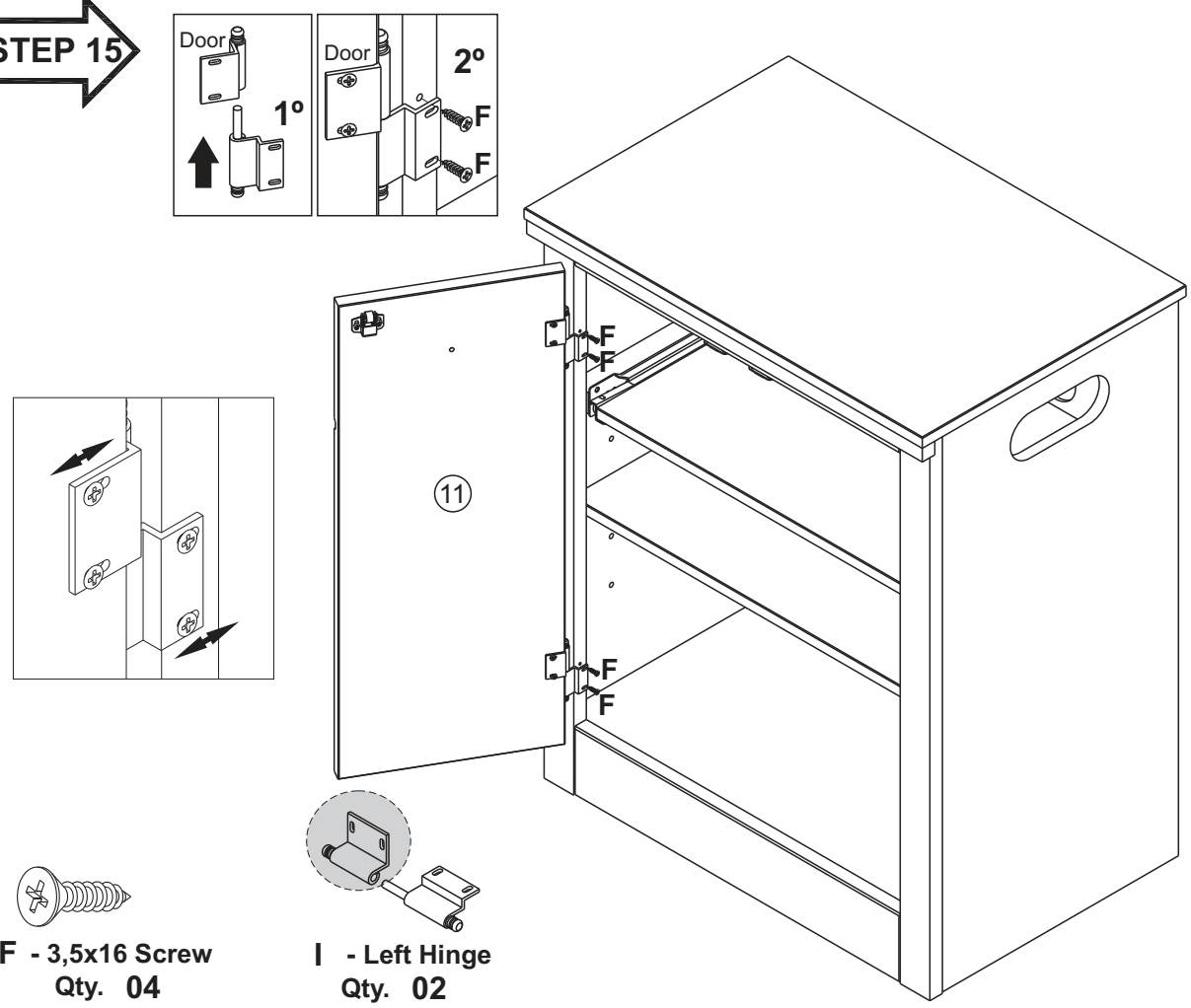
I - Left Hinge
Qty. 02

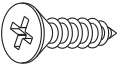
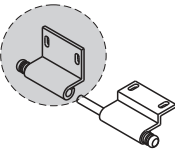
STEP 14



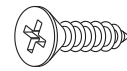
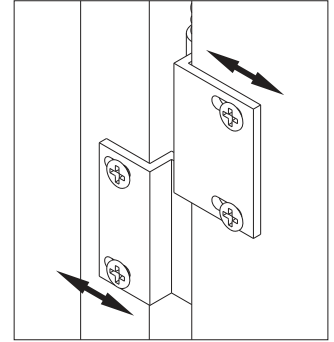
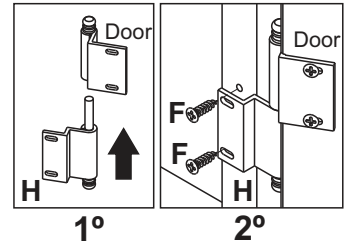
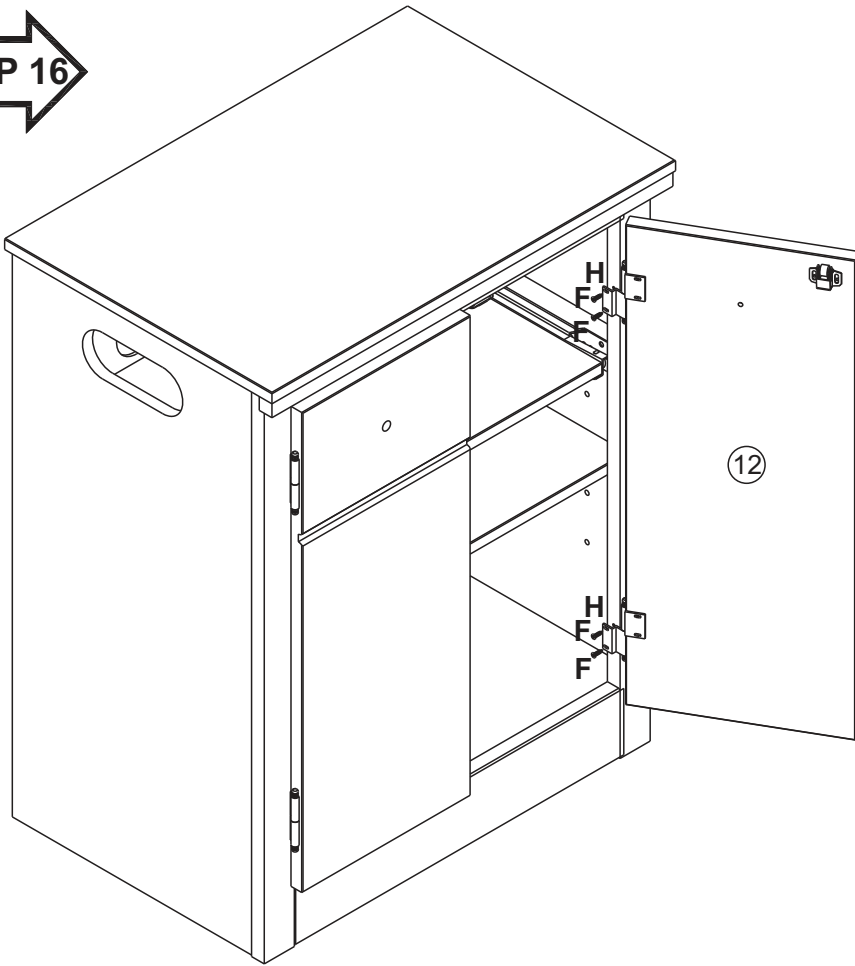
- 
G - 3,5x16 Screw
 Qty. 02
- 
F - 3,5x16 Screw
 Qty. 04
- 
C - Clasp
 Qty. 01
- 
H -Right Hinge
 Qty. 02

STEP 15

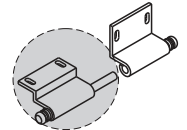


- 
F - 3,5x16 Screw
 Qty. 04
- 
I - Left Hinge
 Qty. 02

STEP 16

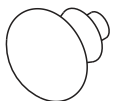
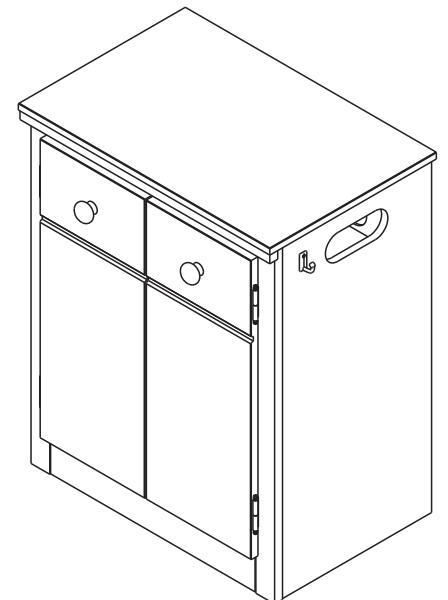
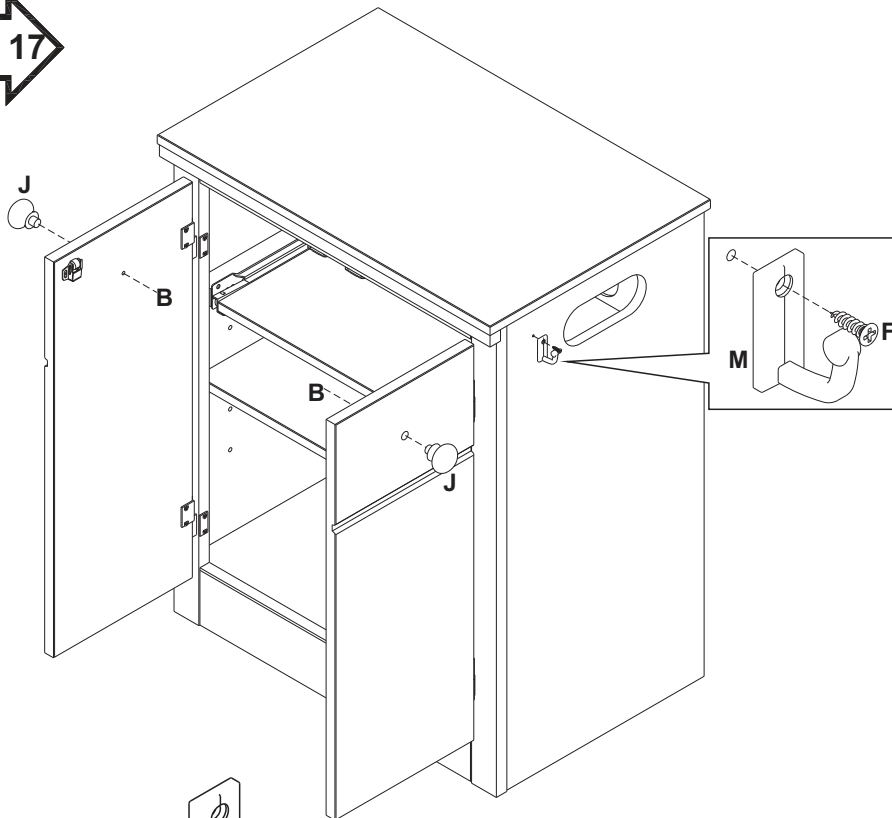


F - 3,5x16 Screw
Qty. 04

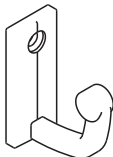


H - Right Hinge
Qty. 02

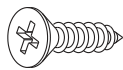
STEP 17



J - Door Knop
Qty. 02



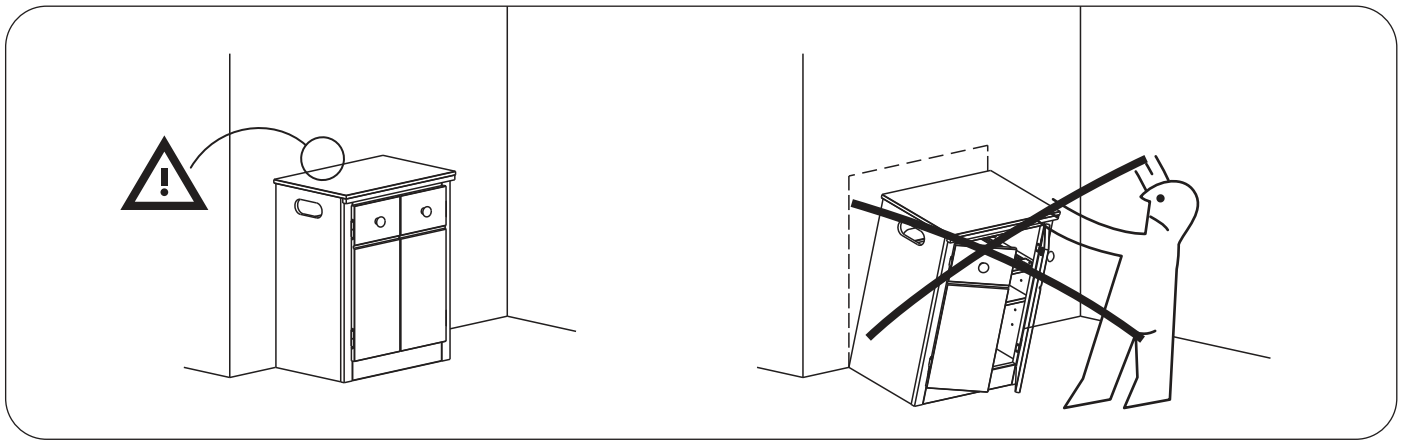
M - Hanger
Qty. 01



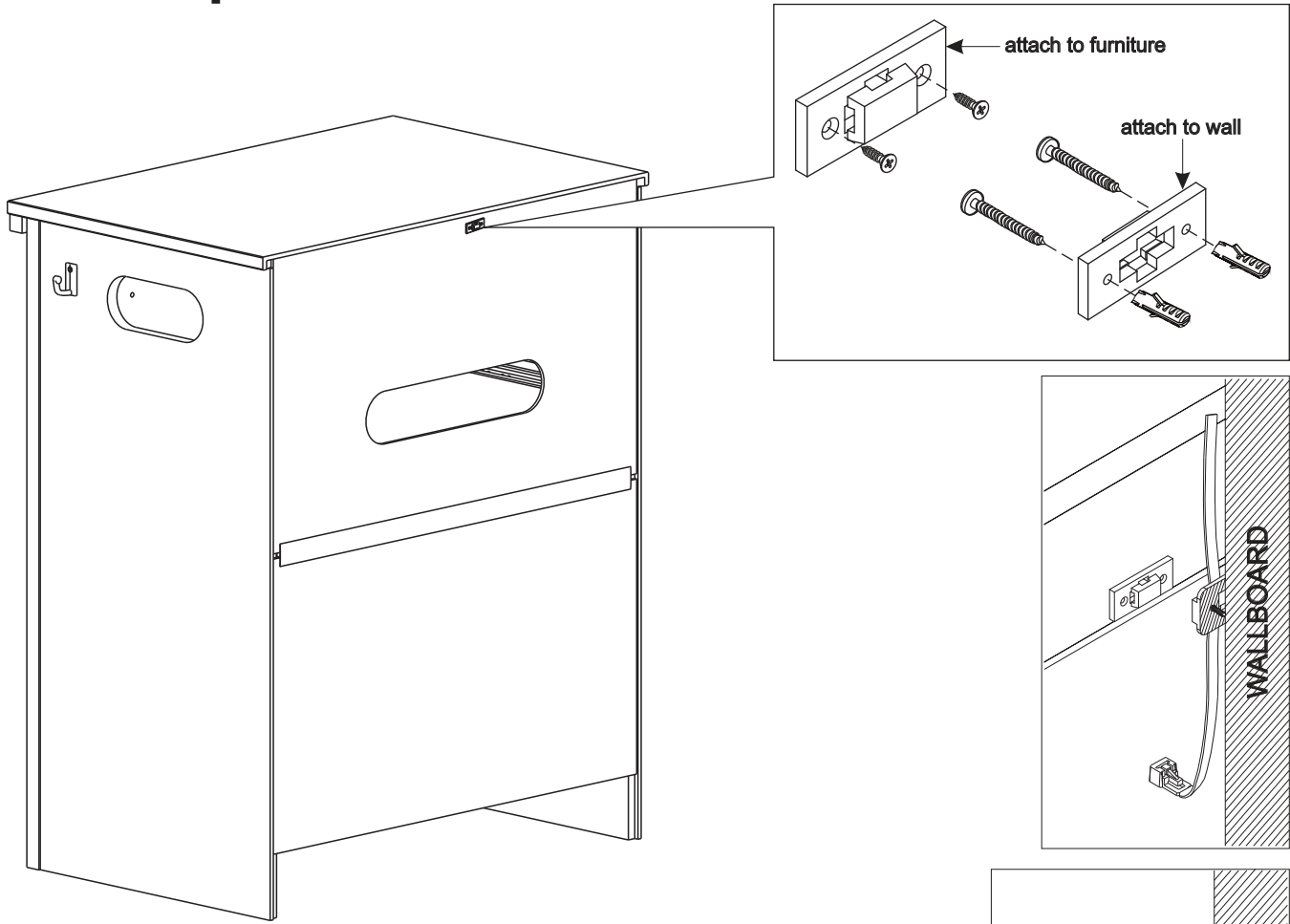
F - 3,5x16 Screw
Qty. 01








B - 4,0x30 Screw
Qty. 02



Anti-Tip Kit



Anti-Tip Kit

-  4,0x30 Screw
Qty. 02
-  3,5x14 Screw
Qty. 02
-  Plastic wall bracket
Qty. 02
-  Nylon strap 300x4,8mm
Qty. 01
-  Plastic screw anchor 6mm
Qty. 02

