




















Care & Maintenance

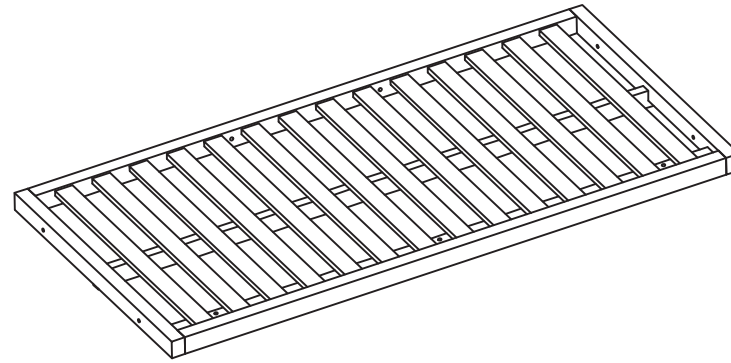
Caution: You must read this before you proceed

- ⊘  ● Not for commercial use. For residential use only.
- ⊘  ● Prolonged exposure to rain may cause rusting which can stain floors.
- ⊘  ● Do not put hot items directly on furniture surface.
- ⊘  ● Do not clean furniture with harsh cleansers or polish.
- ✓  ● To obtain the longest lifespan of your outdoor products, minimizing exposure to direct sunlight is recommended.
- ⊘  ● Children should not climb or jump on the furniture.
- ⊘  ● Do not write on furniture without a padded barrier to protect the surface.
- ✓  ● To obtain the longest lifespan of your outdoor products, avoid extended and lengthy exposure to rain, snow, and direct sunshine. Whenever possible cover the product and /or place under patio or awnings.
- ⊘  ● Do not place the product in stone areas or areas that absorb too much sunlight.
- ⊘  ● Stains may be removed with mild soap solution and damp cloth.
- ✓  ● Keep away from sources of ignition.
- ✓  ● High-pressure water guns must not be used for cleaning. Dust and pick-up spills using a clean, non-colored, lint-free cloth.

SKU: KS02-ZBS/KS02-88ZB

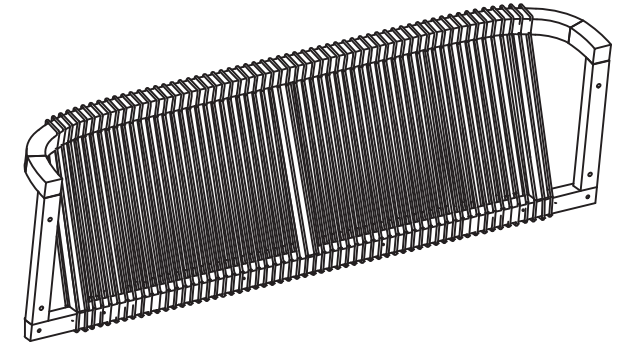
ASSEMBLY INSTRUCTION

No	Hardware	Fig	Q.ty
①	Bolt M6x80 mm		2
②	Bolt M6 x 55 mm		4
③	Bolt M6 x 50mm		5
④	Screw M6 x 50mm		9
⑤	Nut M6 x 18mm		4
⑥	Horizontal nut		2
⑦	Allen Key		2



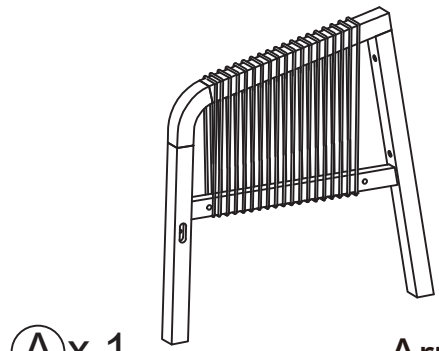
③x 1

Seat Base



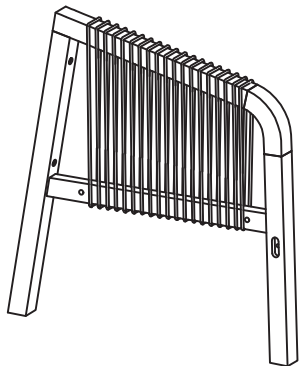
④x 1

Backrest



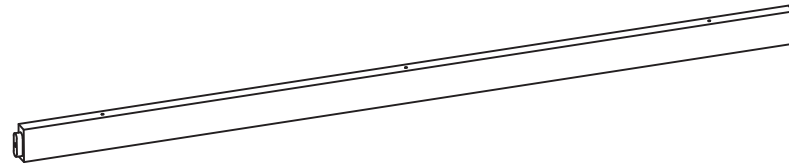
⑤x 1

Armrest



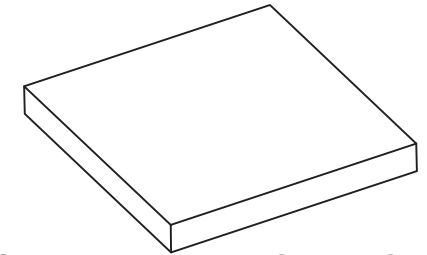
⑥x 1

Armrest



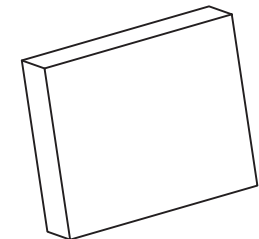
⑦x 1

Support Pole



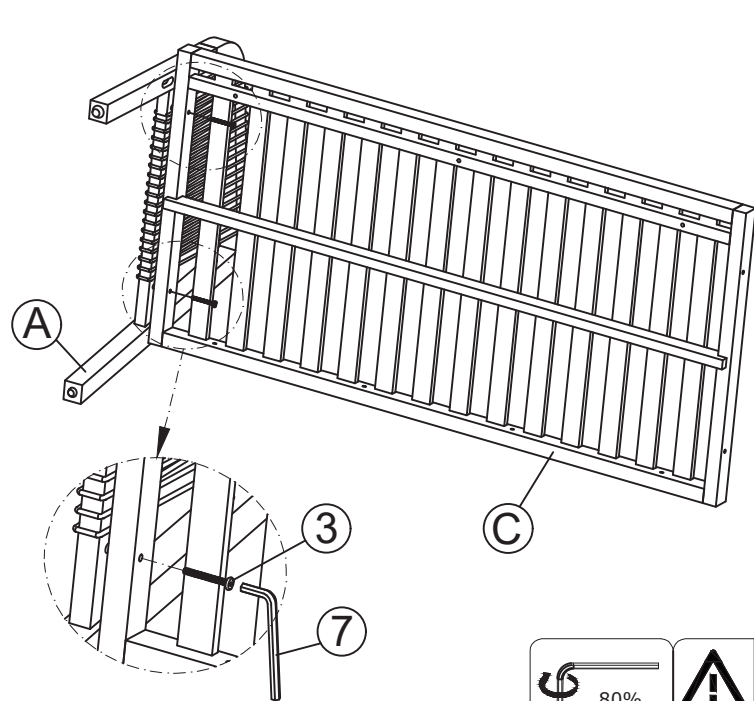
⑧x 2

Seat Cushion

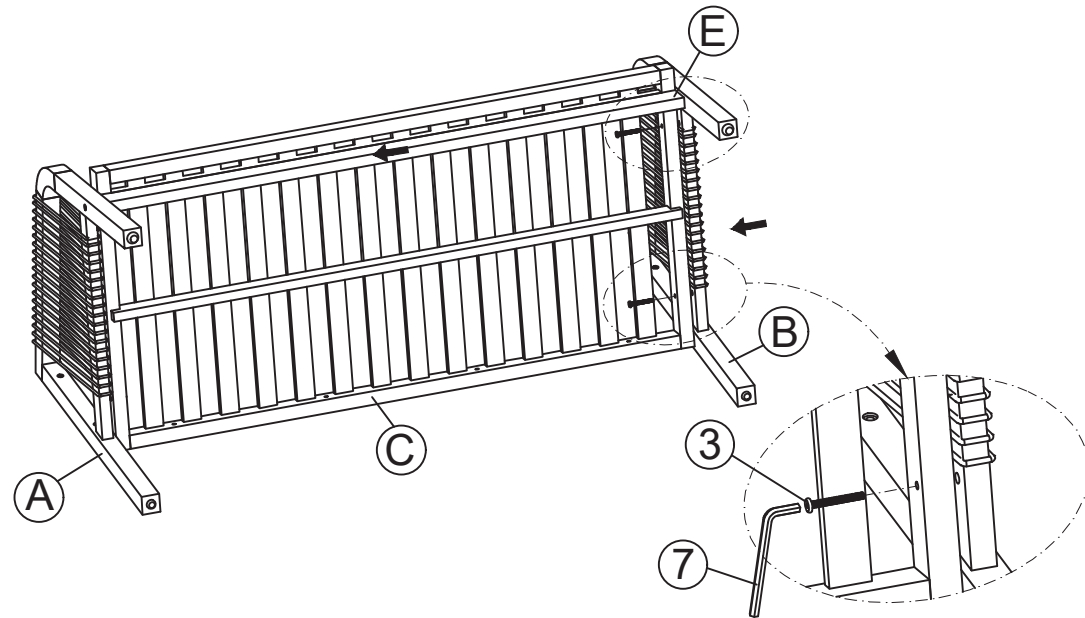


⑨x 2

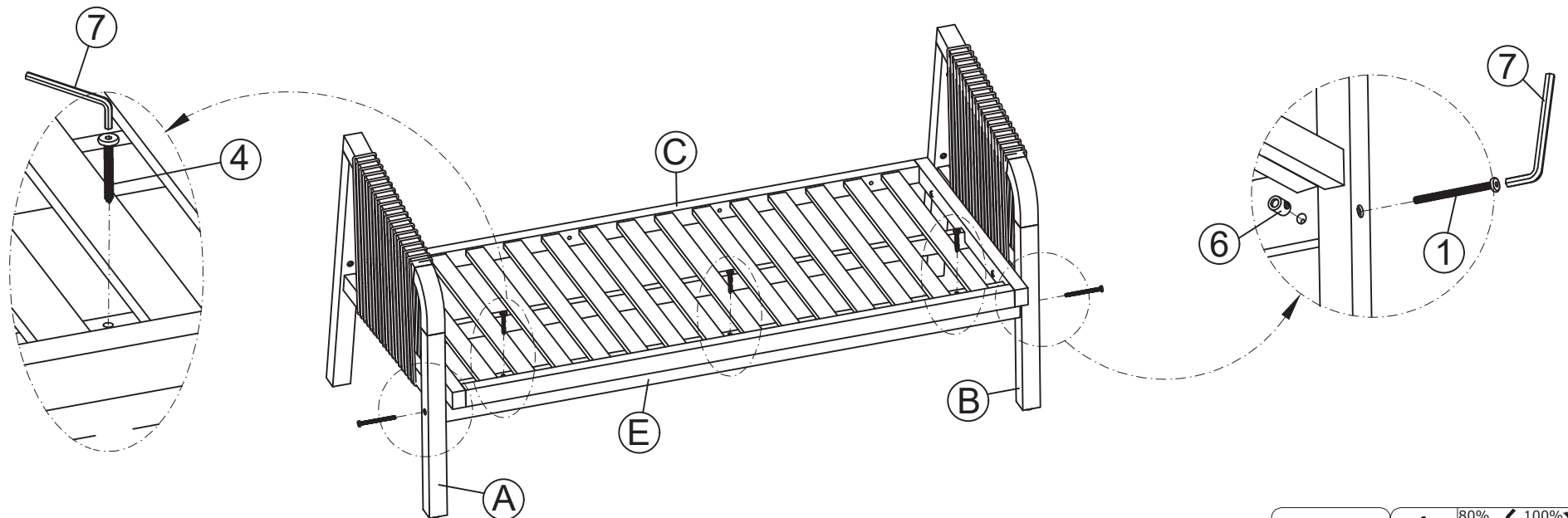
Back Cushion



STEP 1

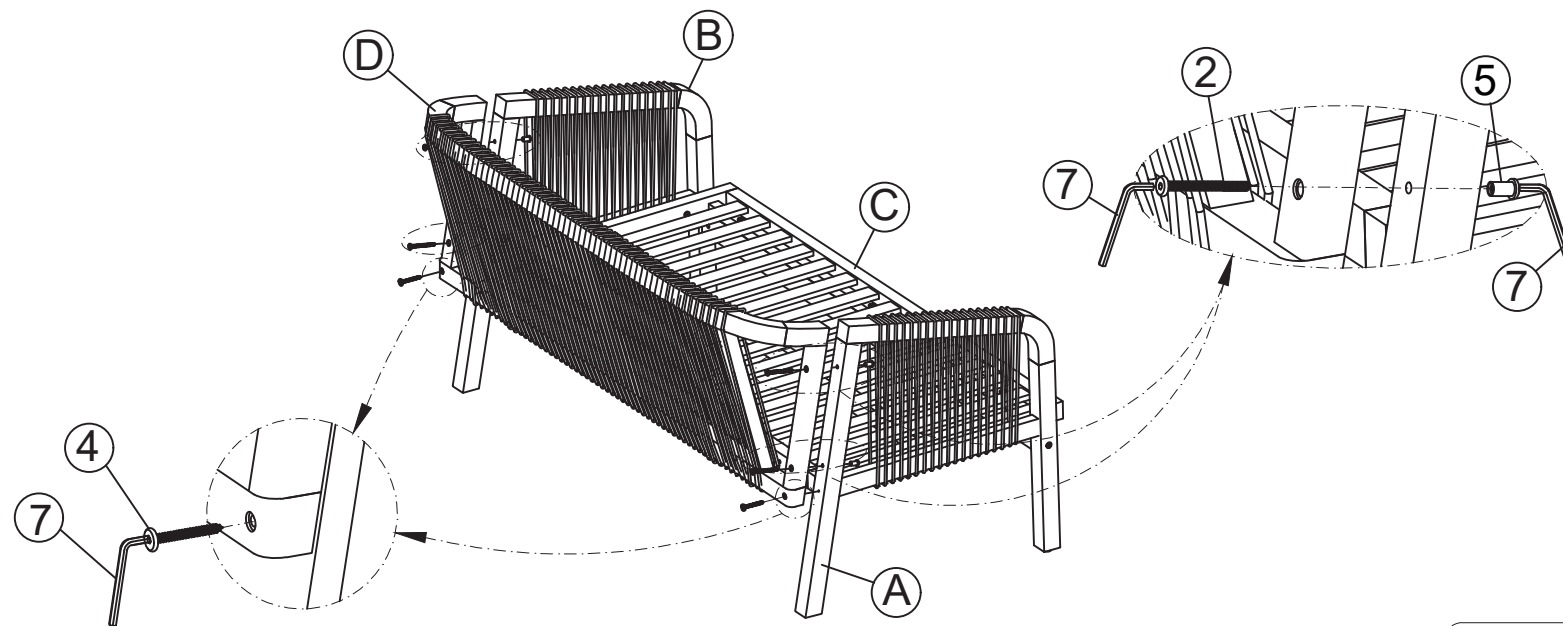


STEP 2

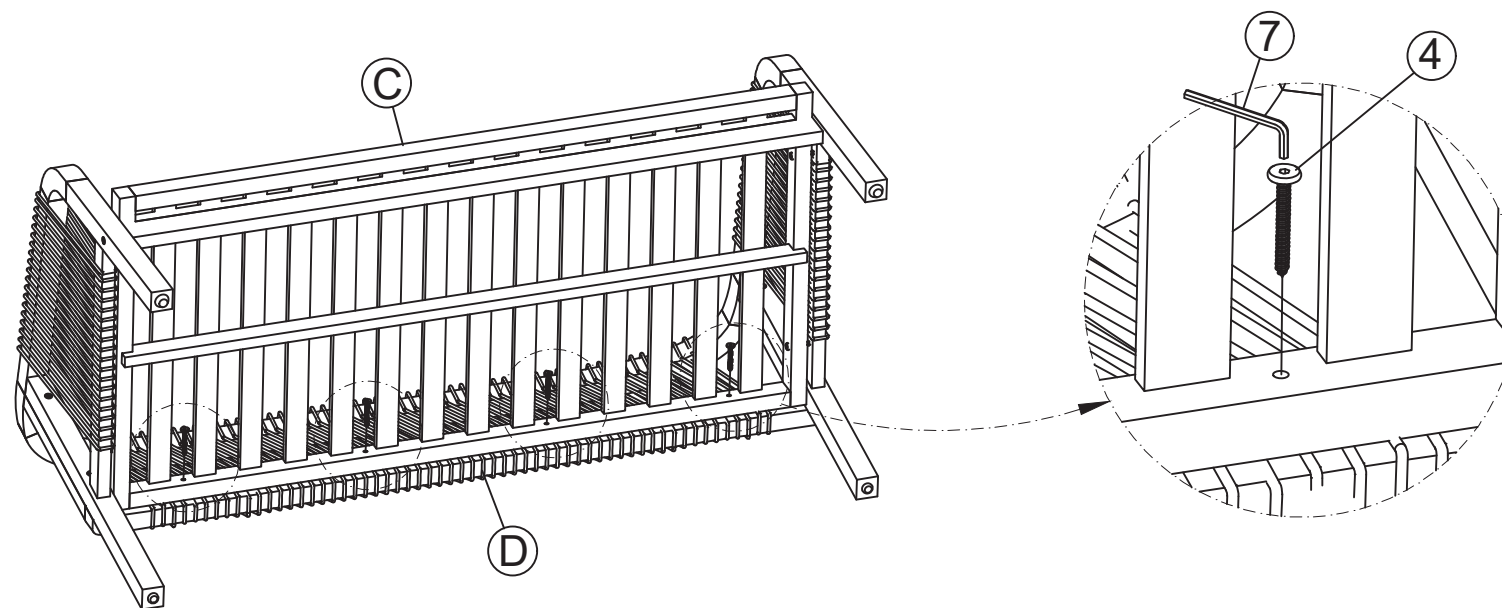


STEP 3



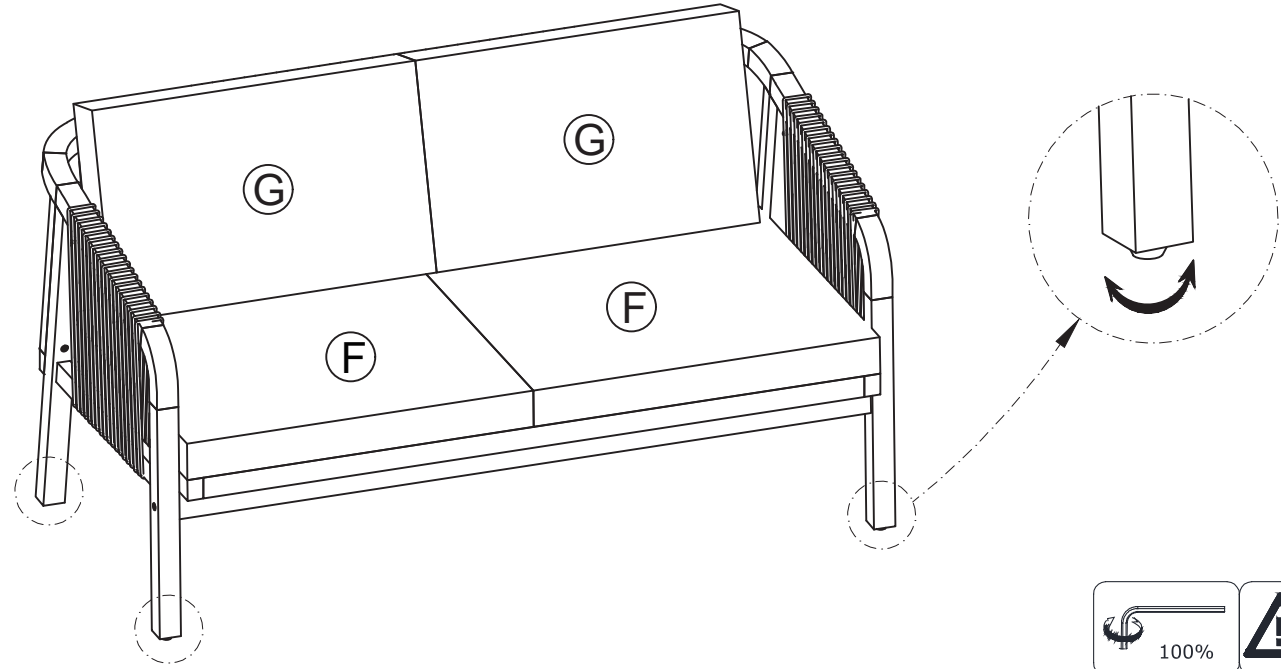


STEP 4

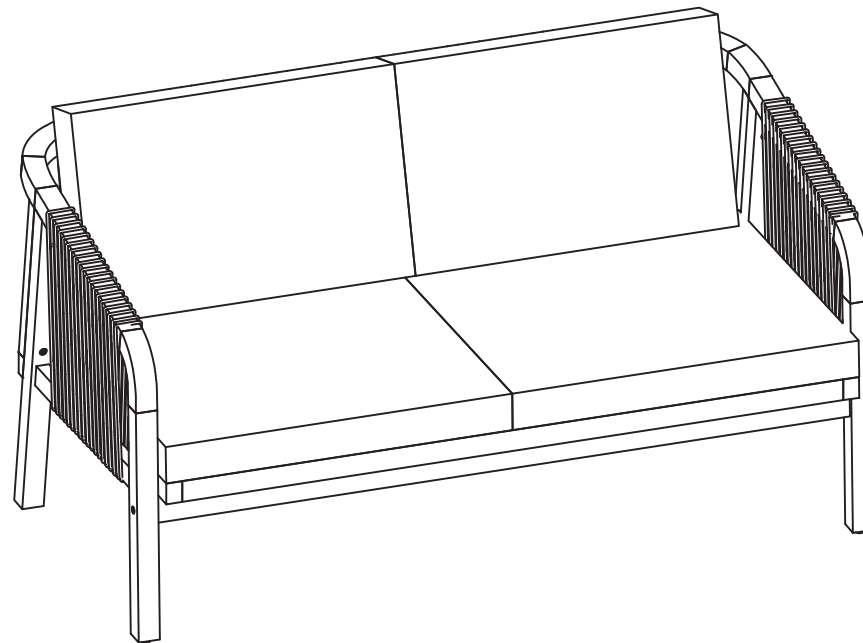


STEP 5





STEP 6



FINISH

NOTE:

Vaccum compressed cushions,
Will return to normal shape after 5-7 days use.

