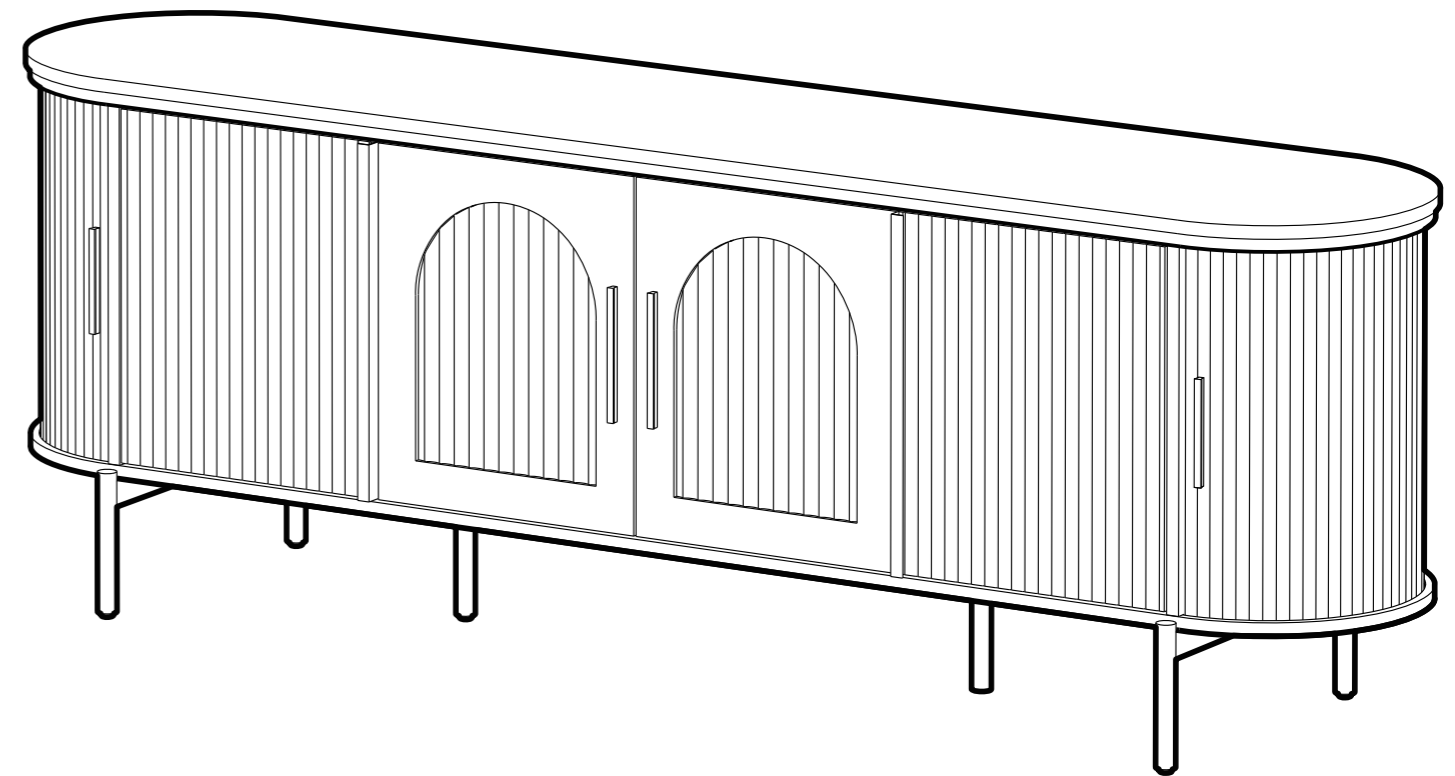


Get in Touch?

✉ support@servicetimely.com

TV STAND

ASSEMBLY INSTRUCTIONS



Manufacturer: Shenzhen Guiyang Network Technology Co., Ltd
Address: 1404K3, East Block, Shengtang Commercial Building, Futian District, Shenzhen, China
Made in China Rev_1.0_EN

24/7
Service

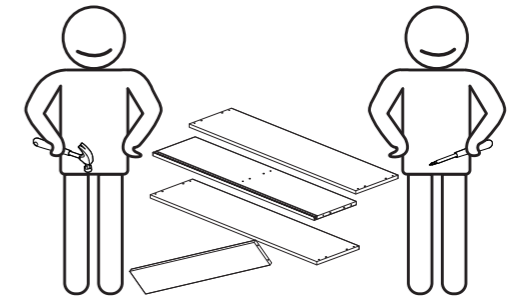
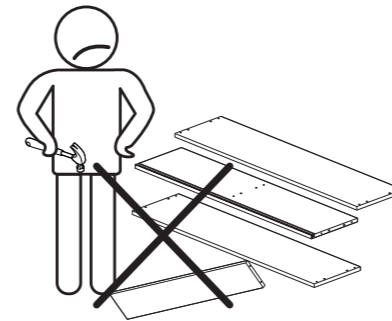
Any other questions, contact us via **email: support@servicetimely.com** We provide 24/7 online service with dedicated one-on-one expert support for all your inquiries.

WARNING

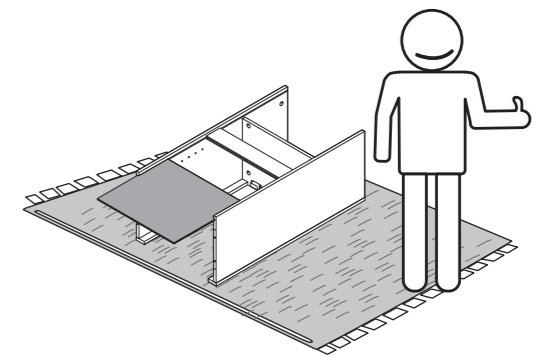
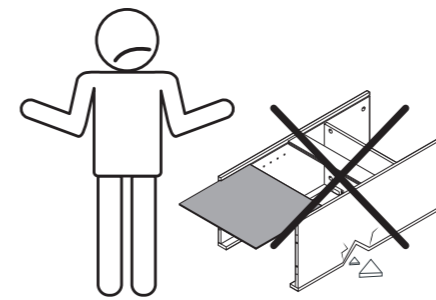


Children have died from furniture tipover. To reduce the risk of furniture tipover:

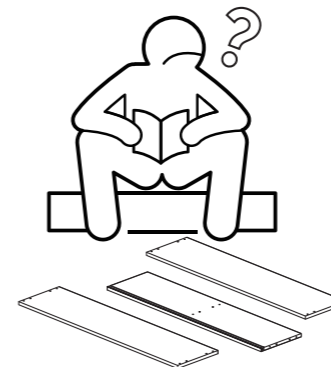
- ALWAYS install tipover restraint provided.
- NEVER allow children to stand, climb or hang on drawers, doors, or shelves.
- NEVER open more than one drawer at a time.
- Place heaviest items in the lowest drawer.



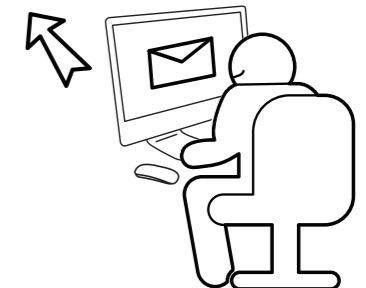
We recommend at least 2 people for the assembly.



To prevent any damage during assembly, place a mat under the pieces.



support@servicetimely.com

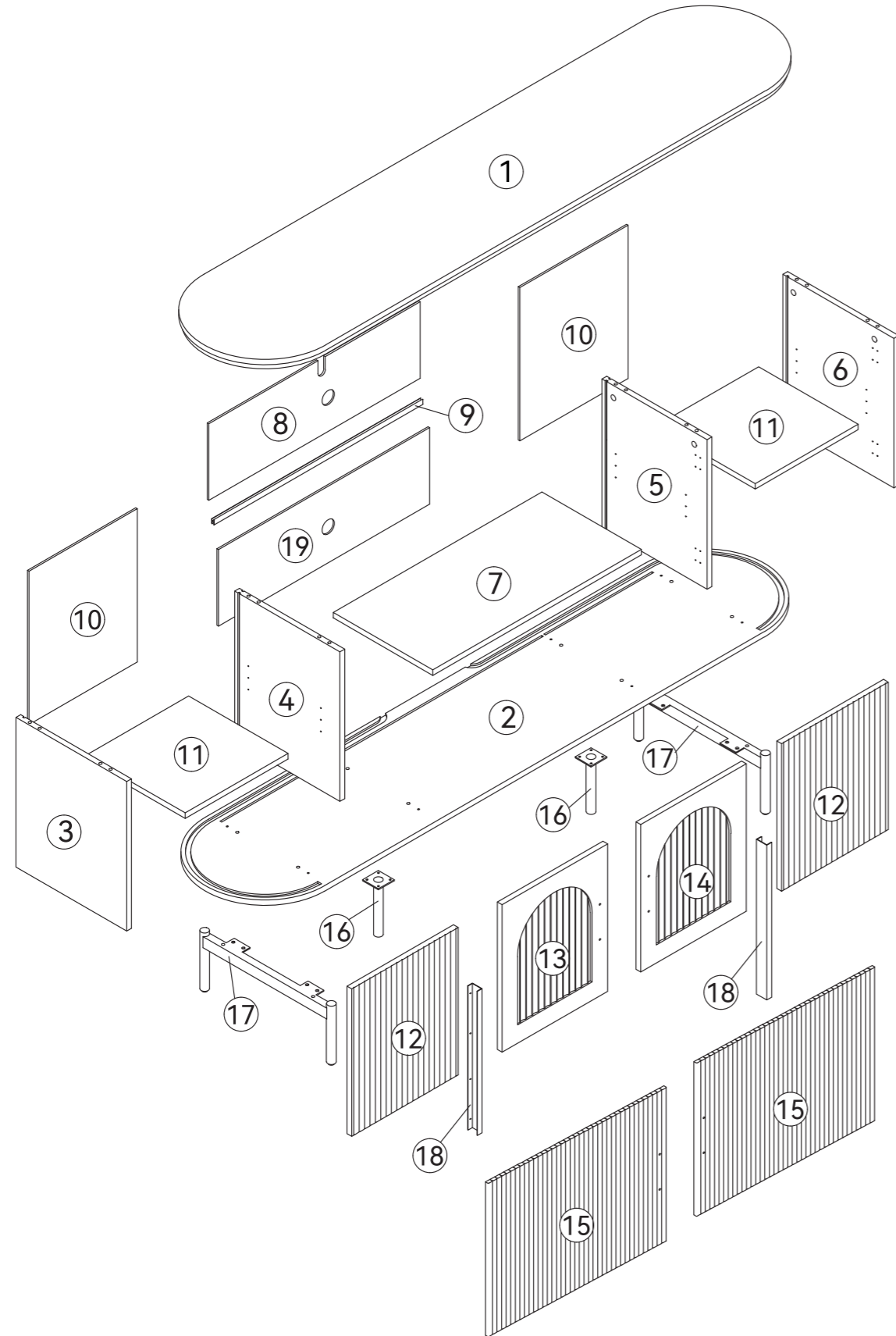


Any questions concerning assembly, contact us via email: support@servicetimely.com

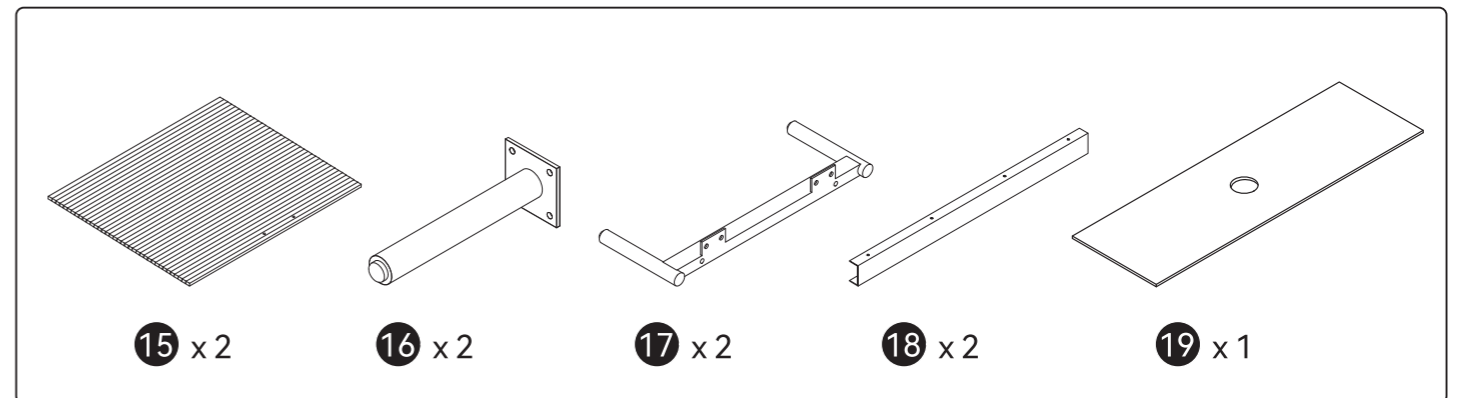
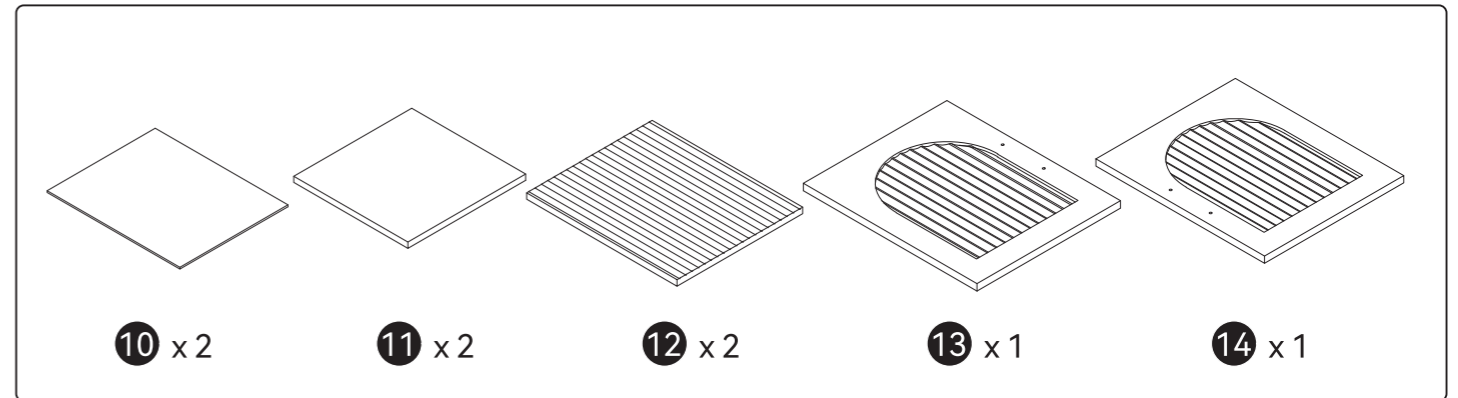
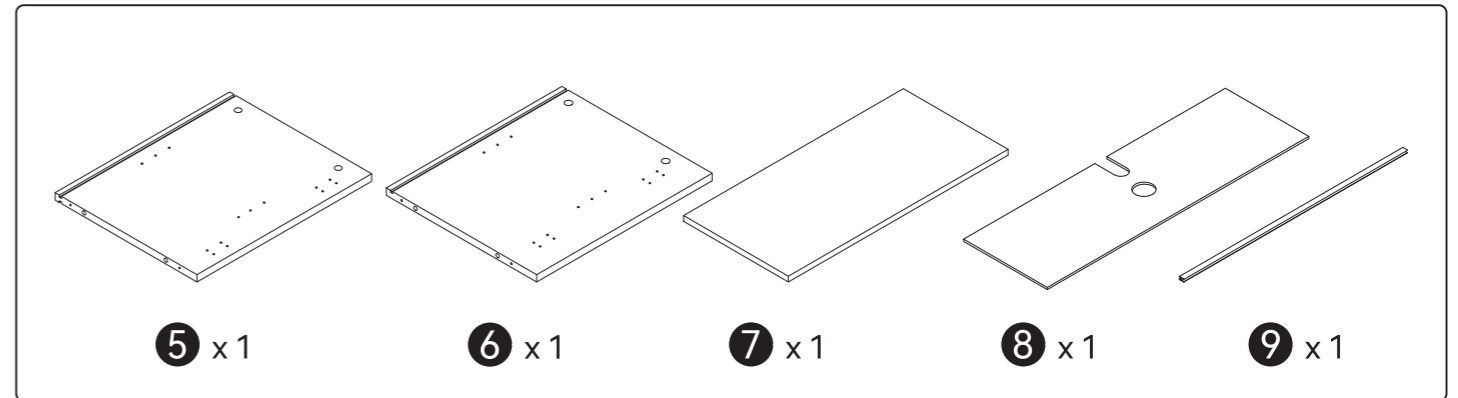
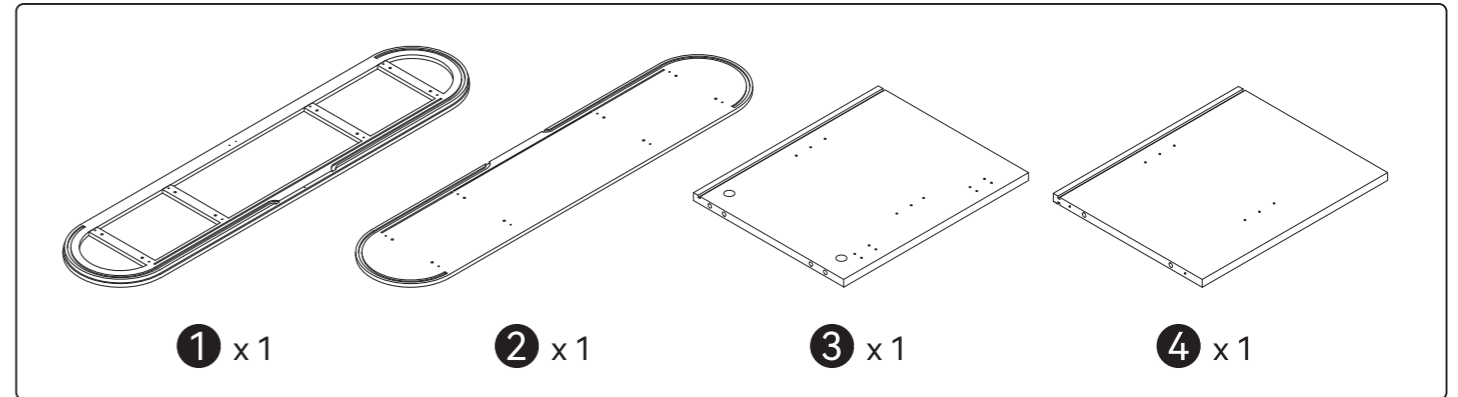
PARTS DIAGRAM



Check if all parts and hardwares are included. Contact us via email: support@servicetimely.com if there is any part missing or damaged.



PARTS LIST

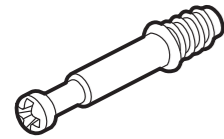


HARDWARES

SPARE PARTS



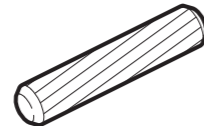
The spare parts are the additional parts provided in case of missing or damaged ones. Keep the spare parts and tools for future use.



A x 8

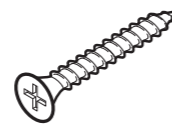


B x 8



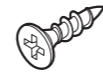
Ø6x30mm

C x 16



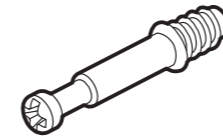
M4x35mm

D x 9



M3.5x14mm

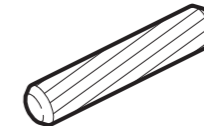
E x 48



A x 1

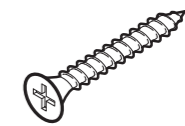


B x 1



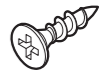
Ø6x30mm

C x 1



M4x35mm

D x 1



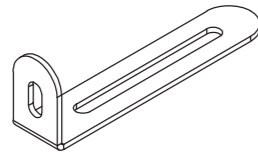
M3.5x14mm

E x 4



M4x14mm

F x 9

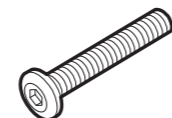


G x 1



M4x8mm

H x 4



M6x40mm

I x 4



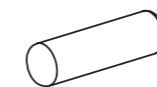
M6x10mm

J x 8



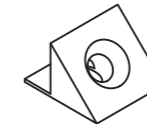
M4x14mm

F x 1



Ø5x25mm

K x 1

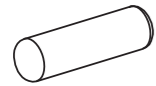


O x 1



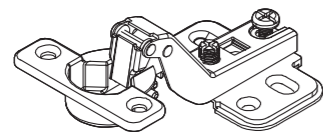
M3x16mm

P x 1

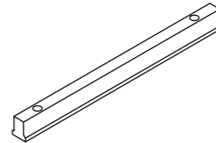


Ø5x25mm

K x 12



L x 8



M x 4



M4x16mm

N x 4

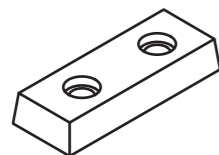


O x 16



M3x16mm

P x 18

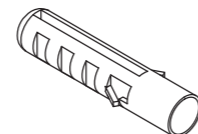


Q x 1



M3x12mm

R x 8



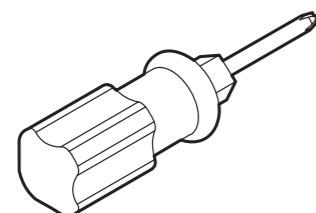
Ø6x30mm

S x 1



4mm


x 1

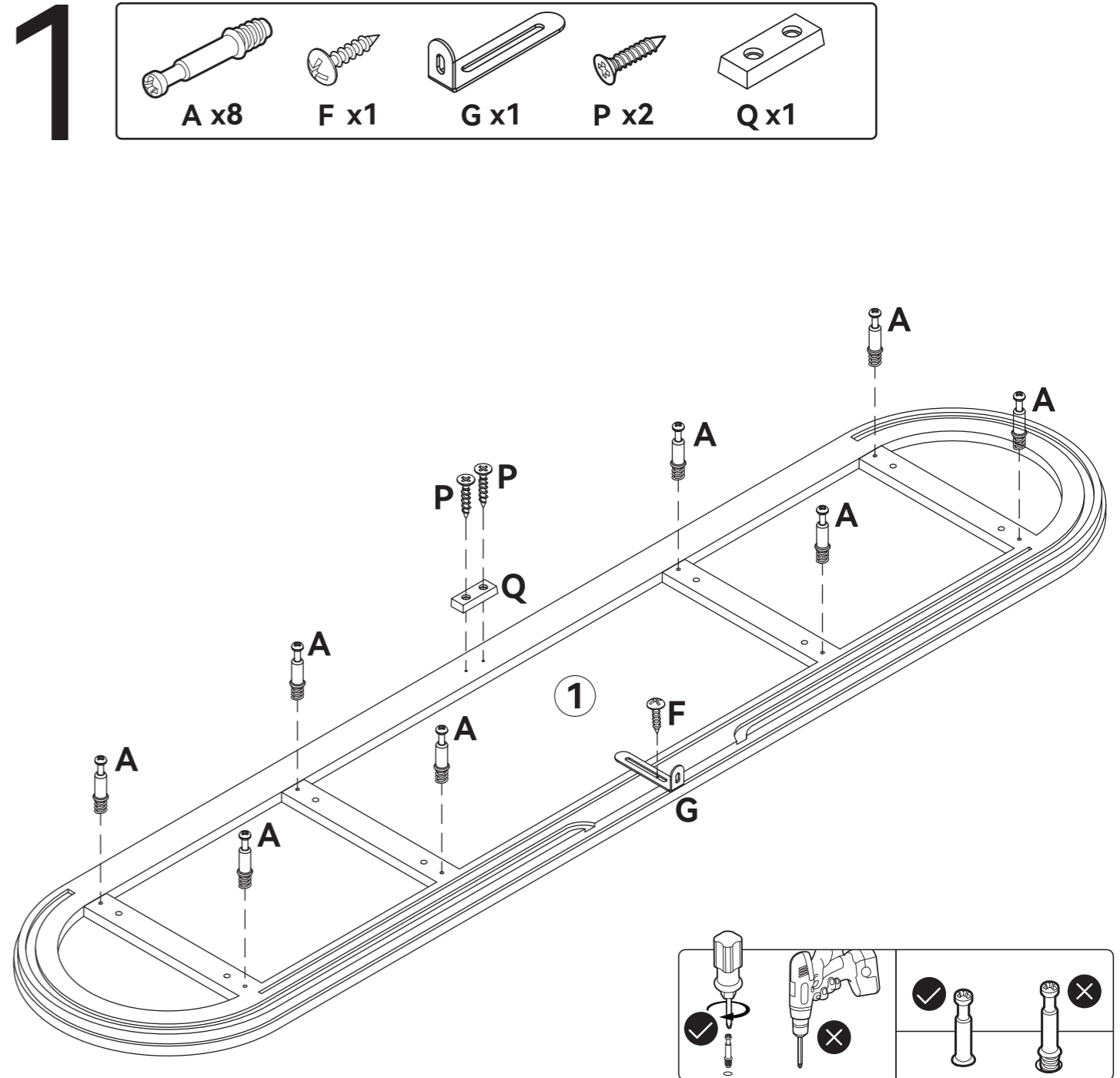
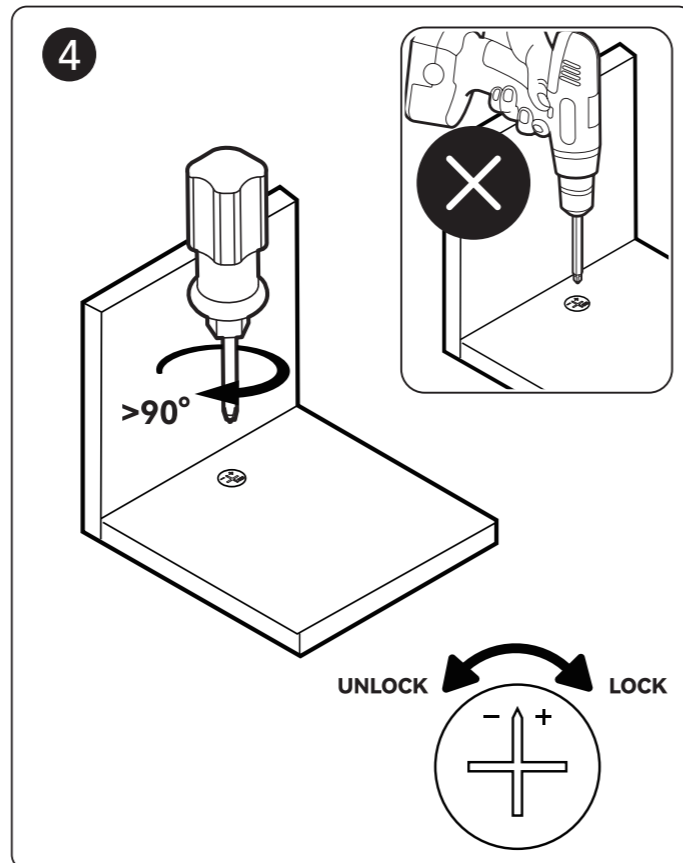
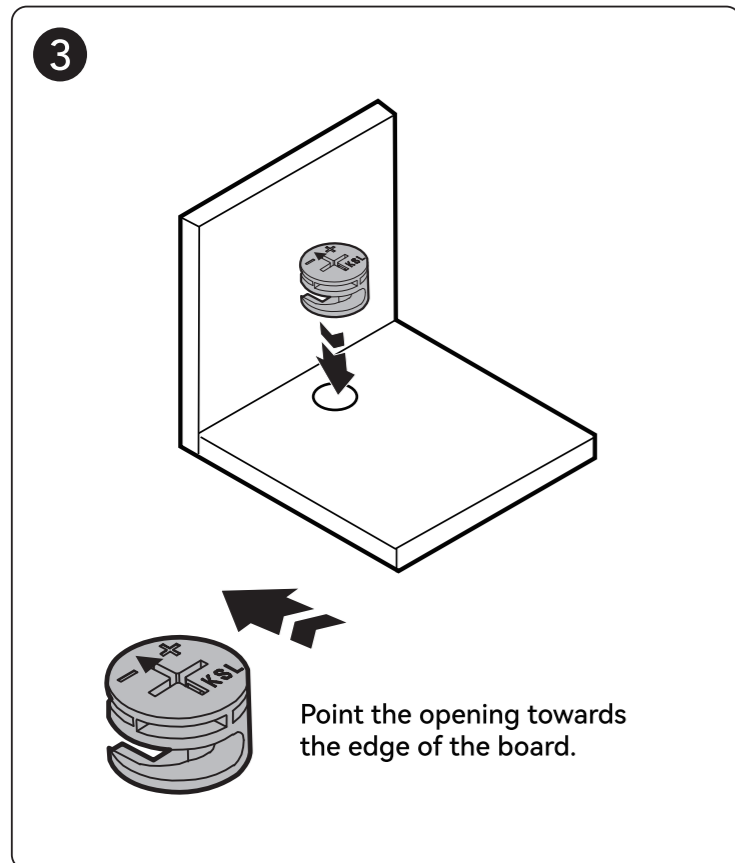
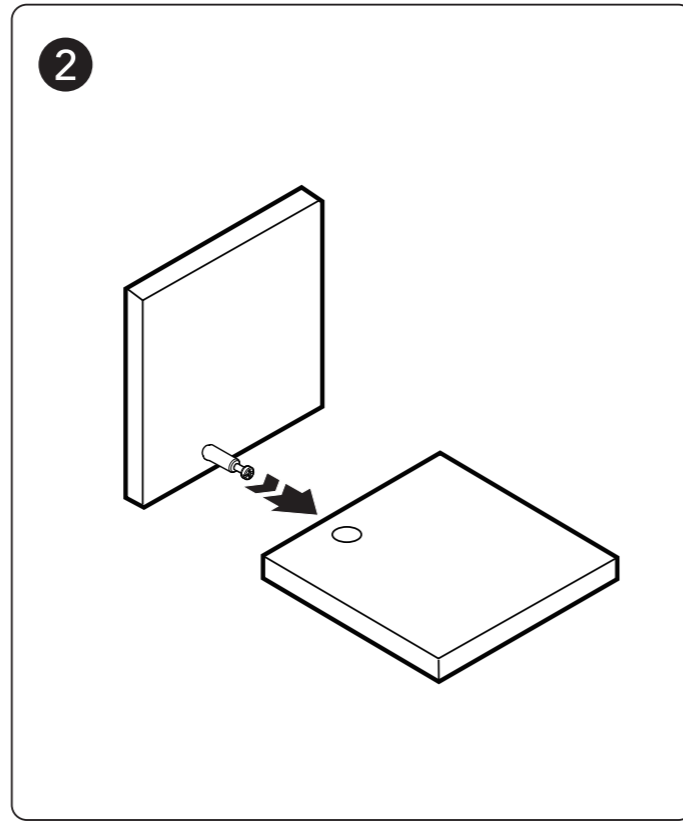
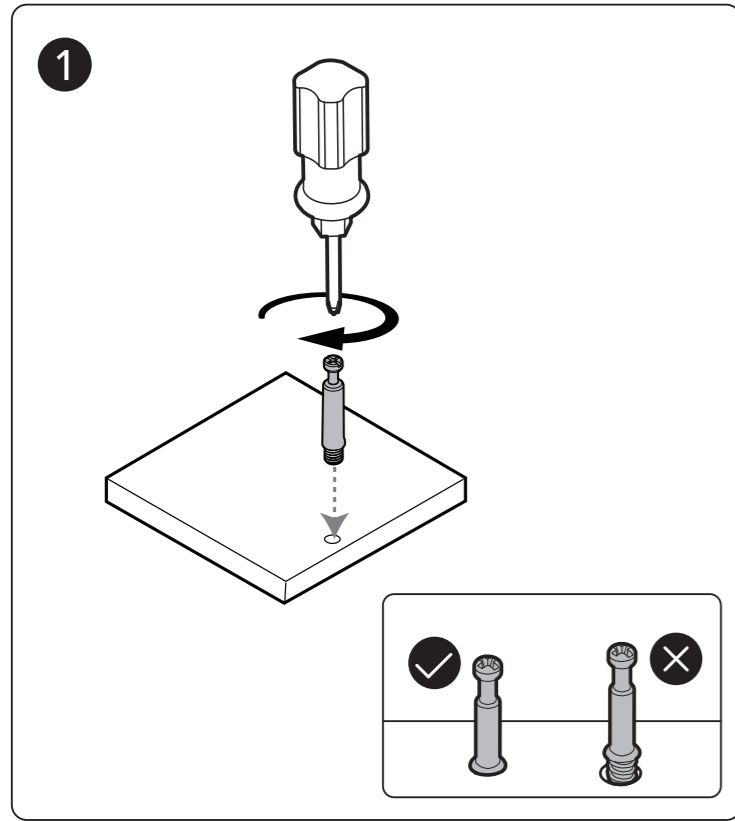


x 1

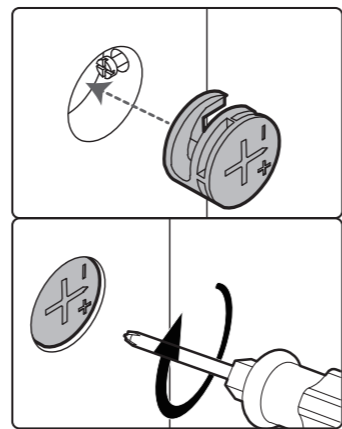
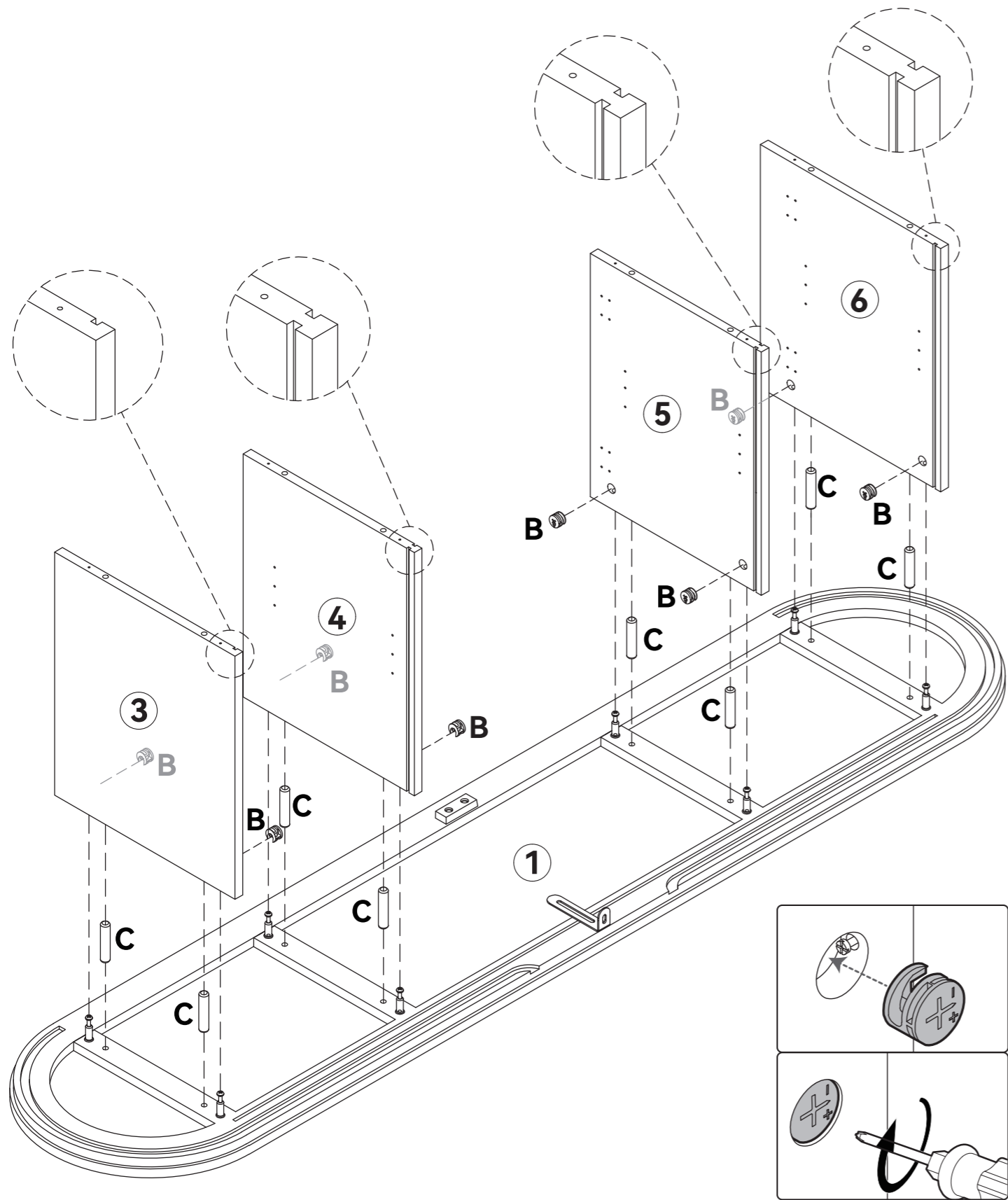
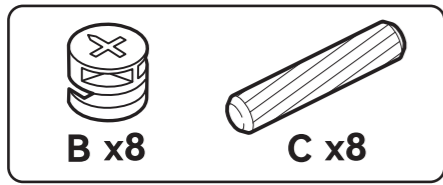
CAM LOCK FASTEN SYSTEM

ASSEMBLY

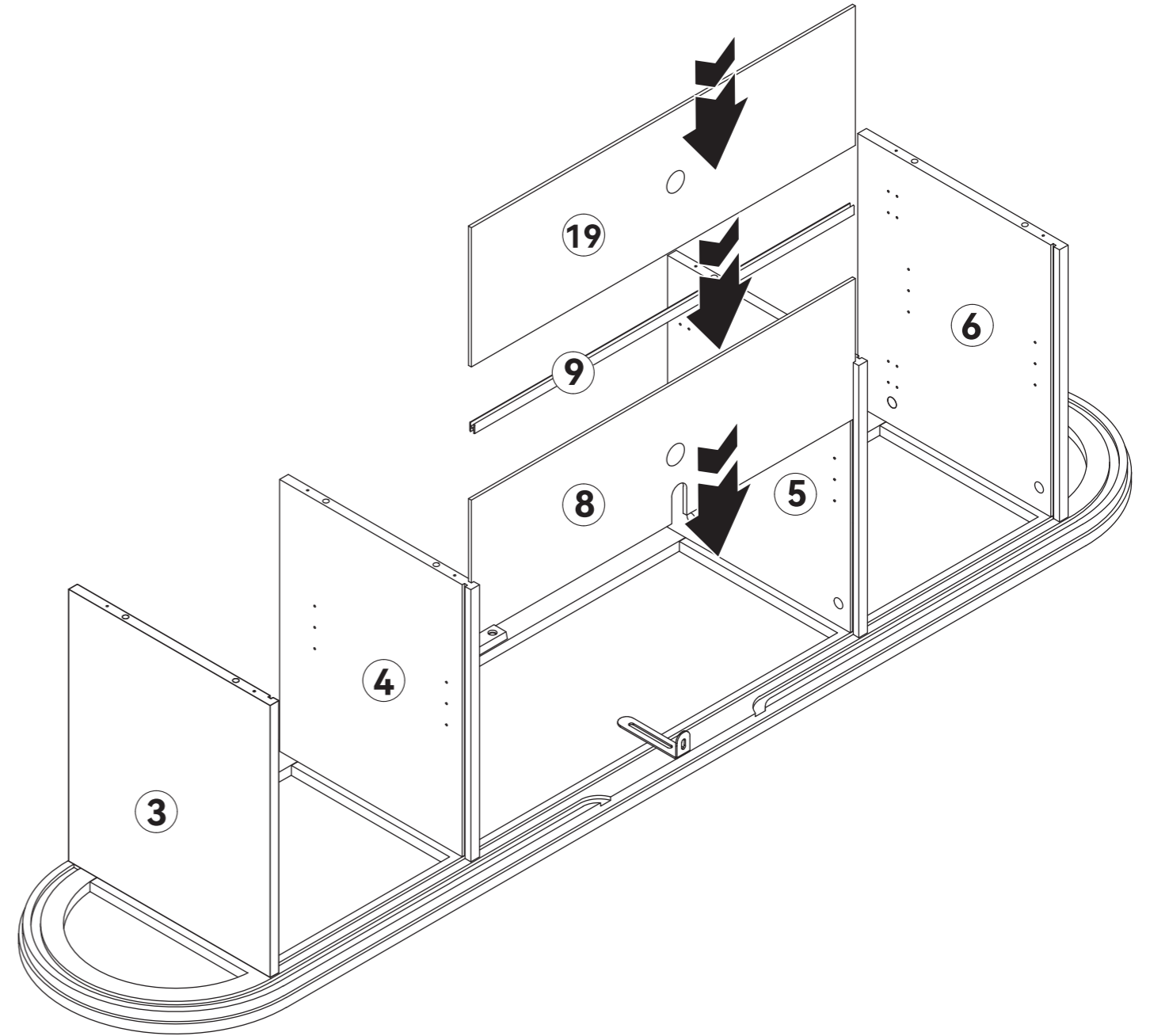
 Insert the cam bolt into the hole, then insert the cam lock and tighten.



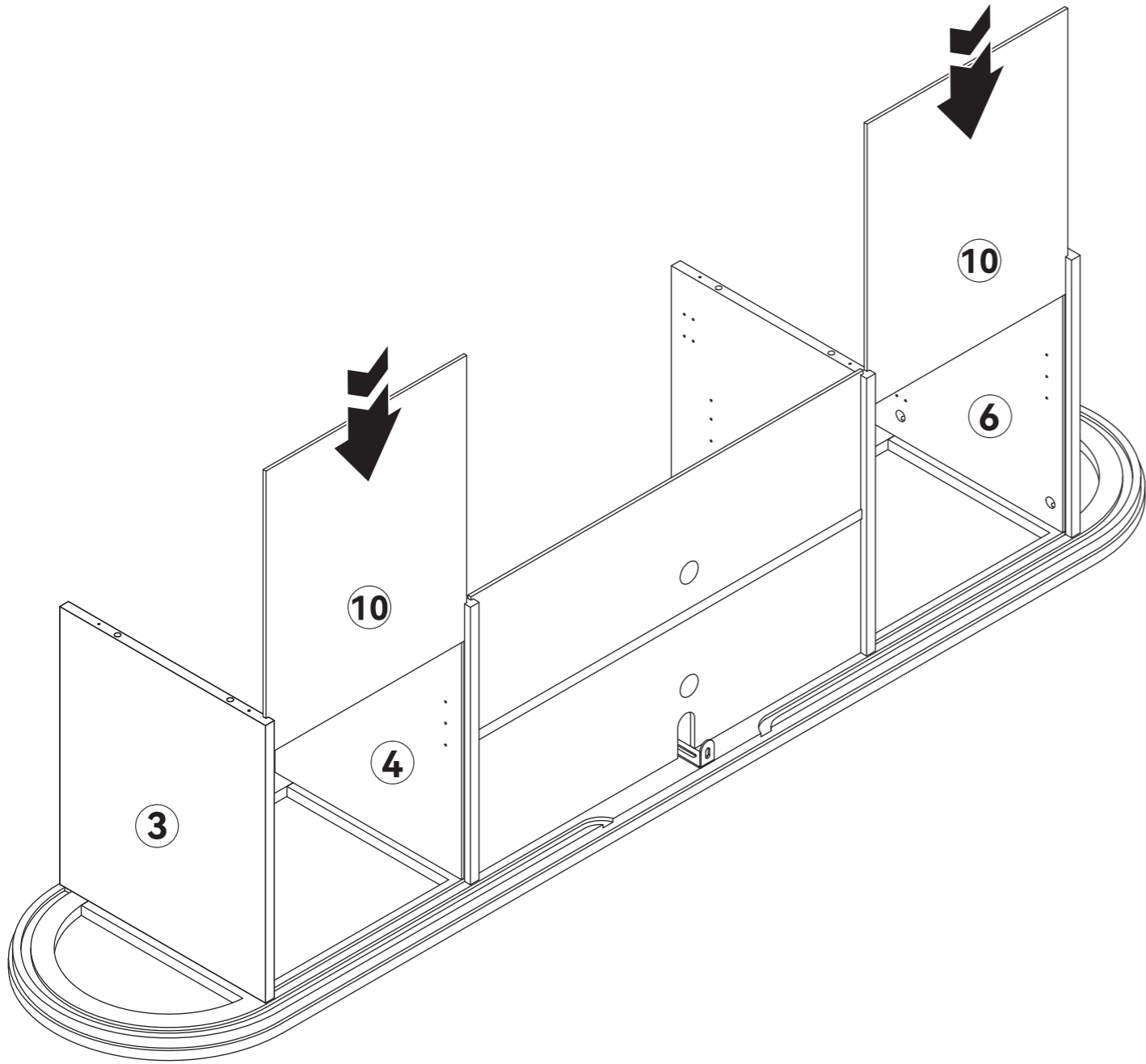
2



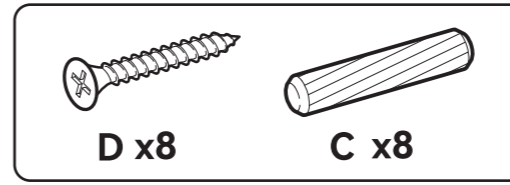
3



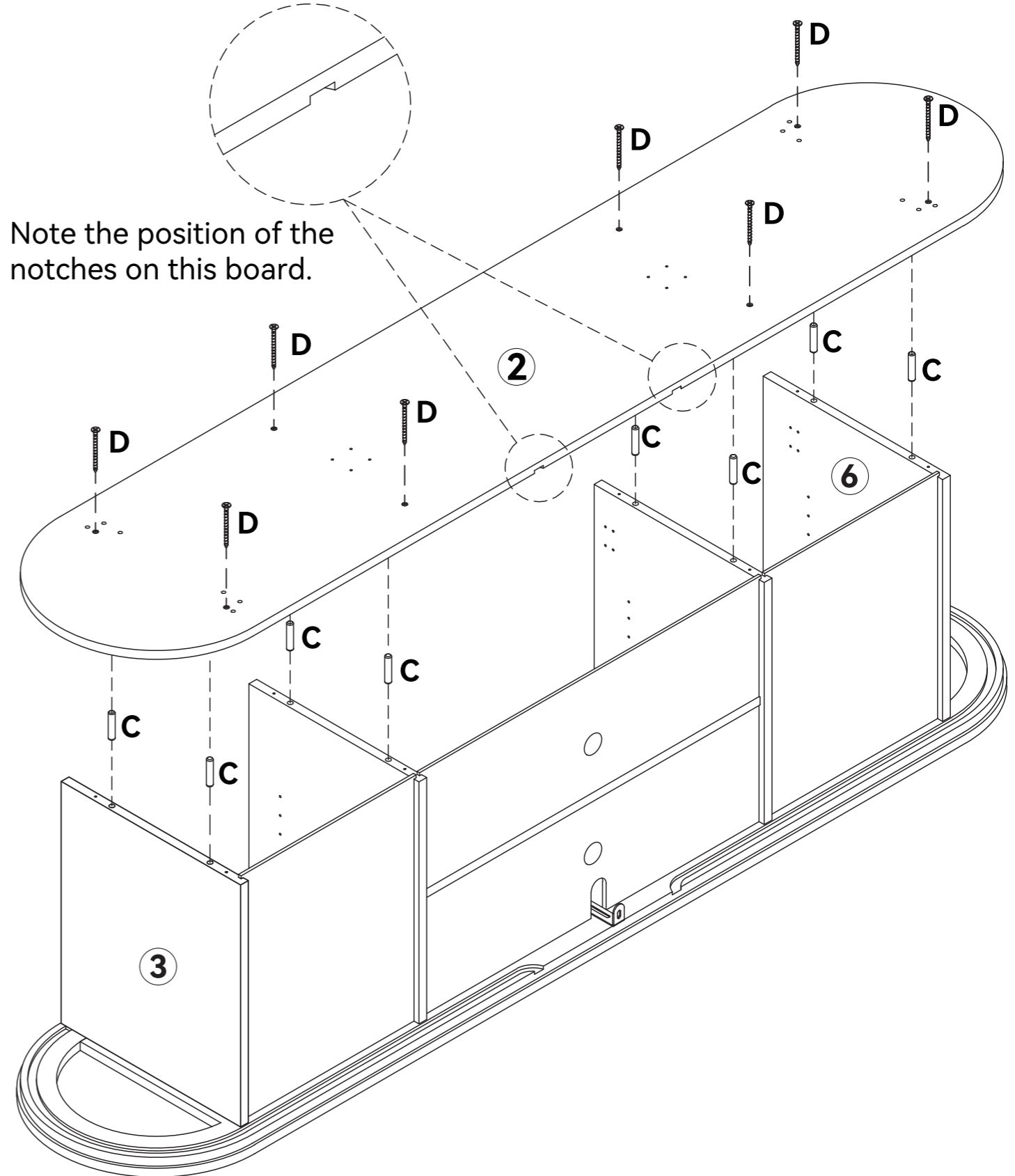
4



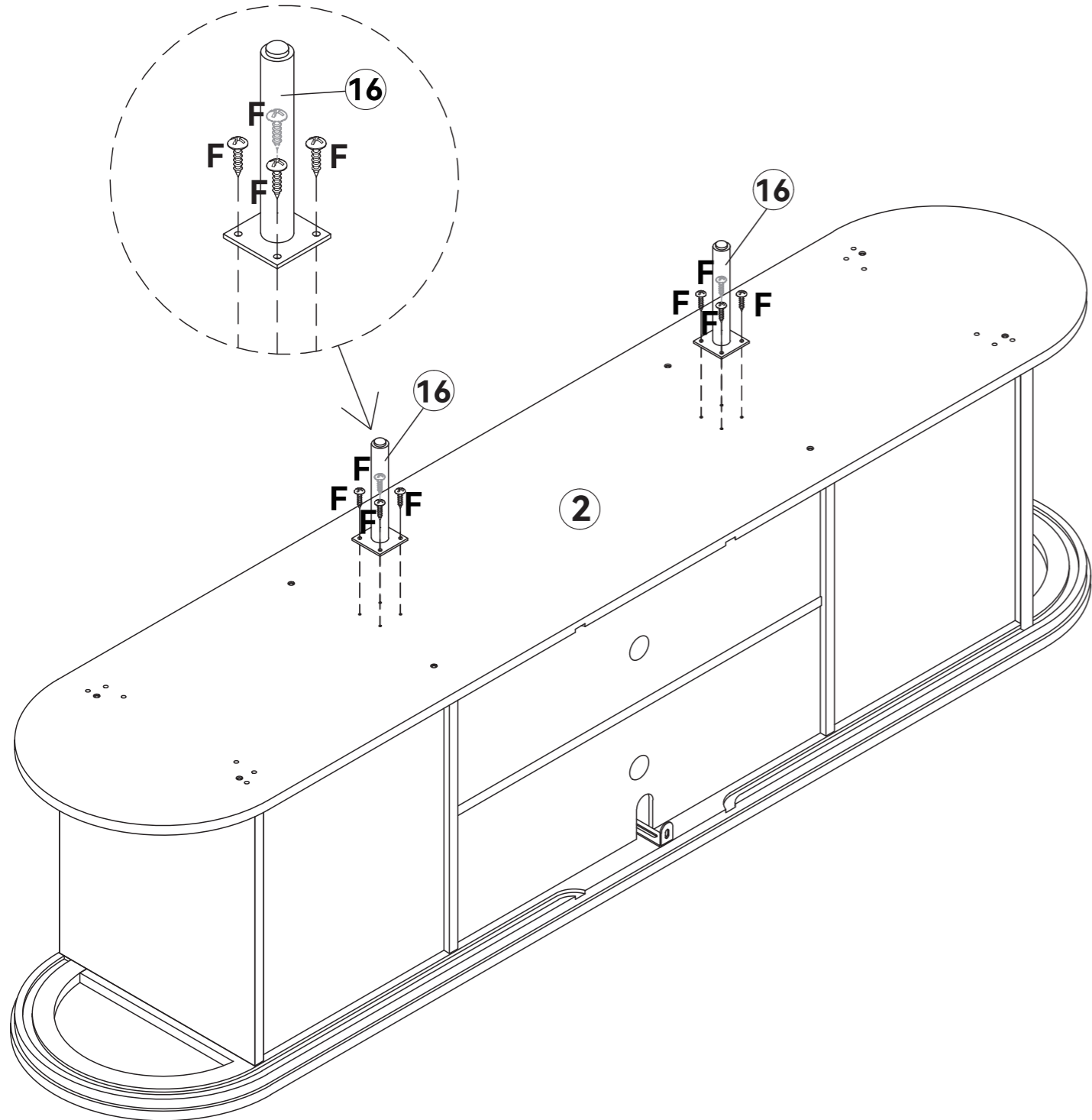
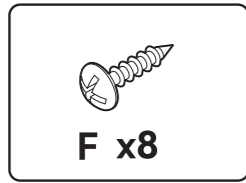
5



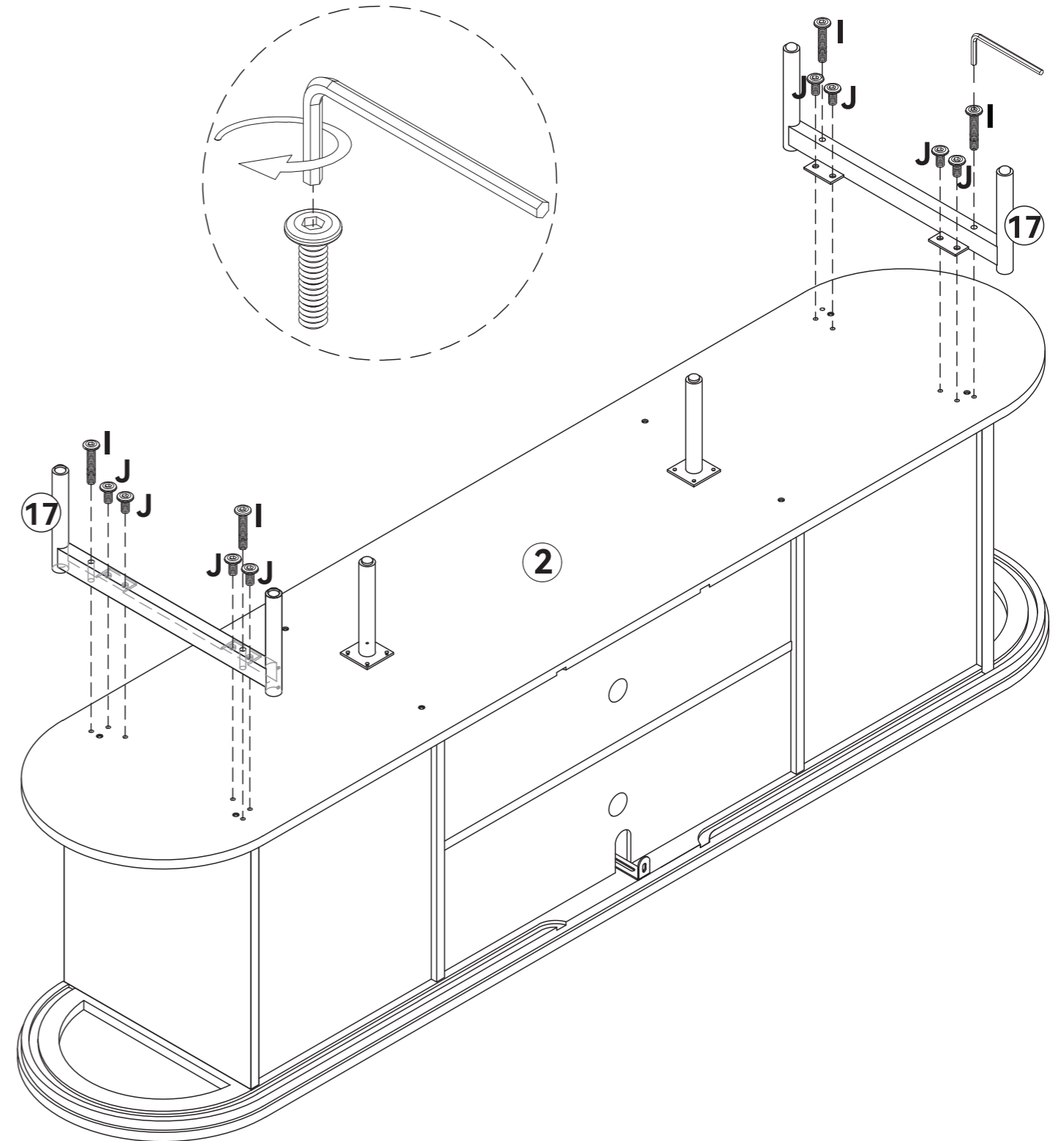
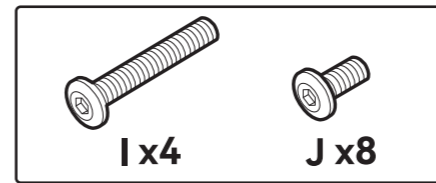
Note the position of the notches on this board.



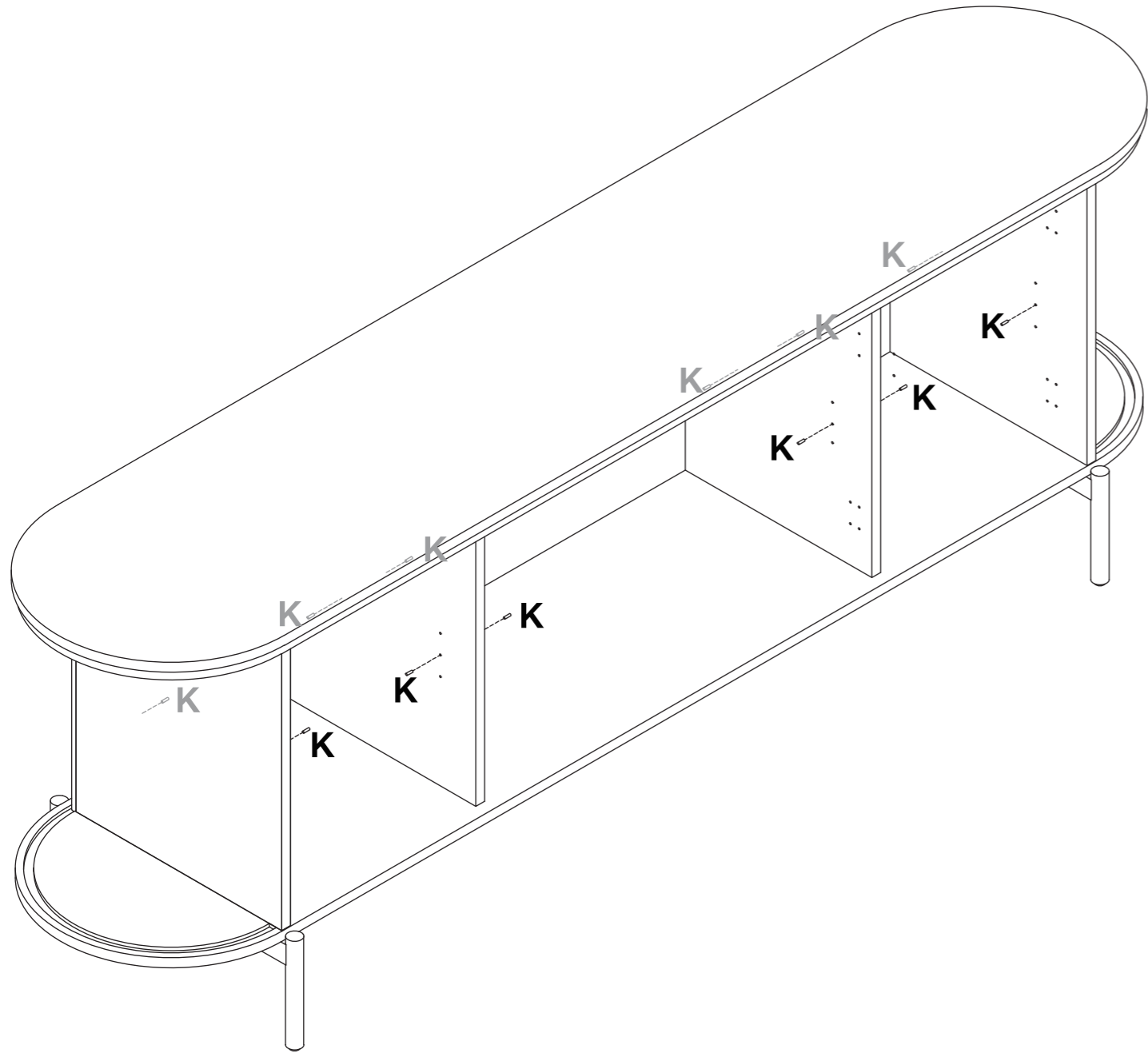
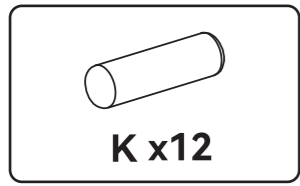
6



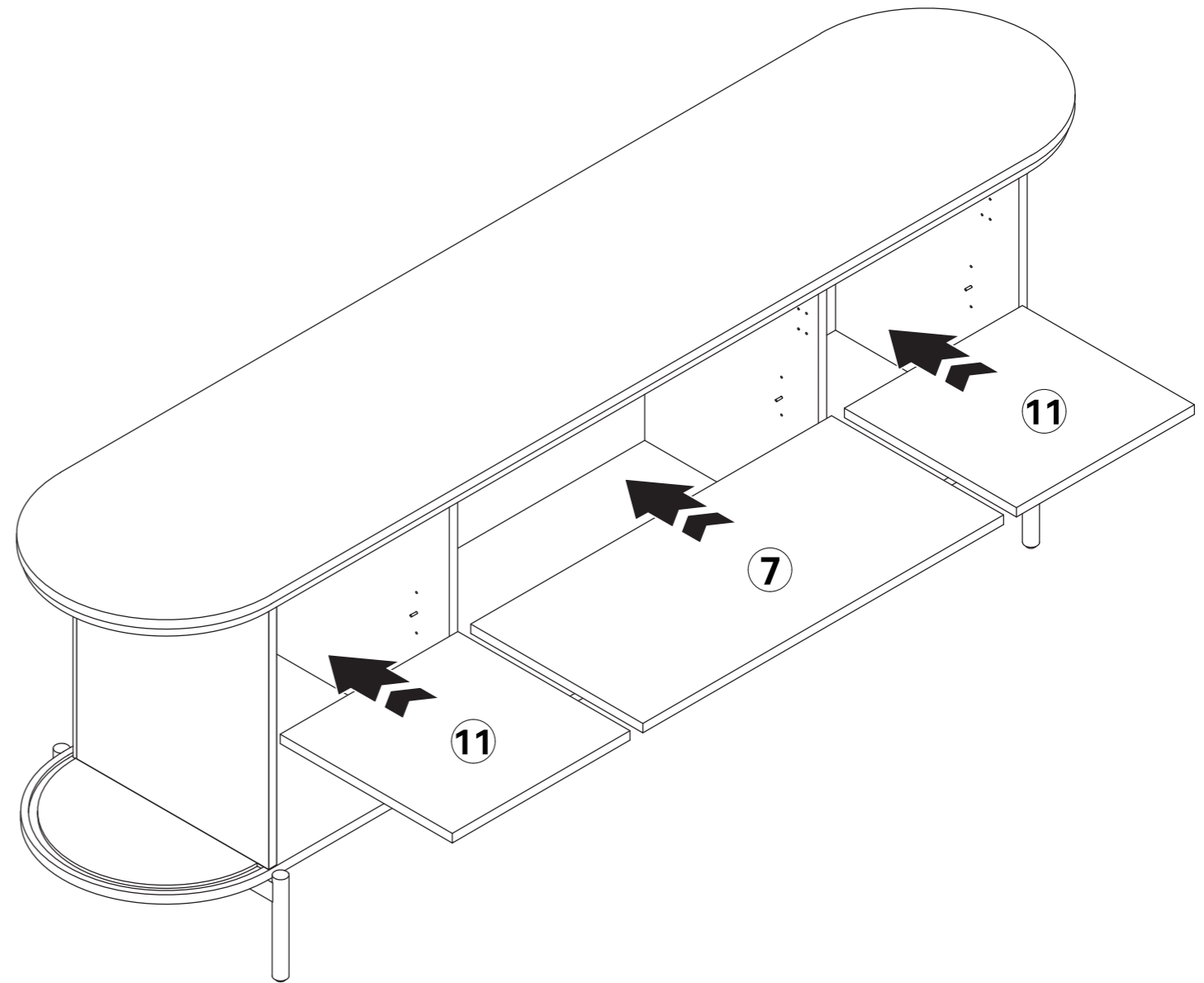
7



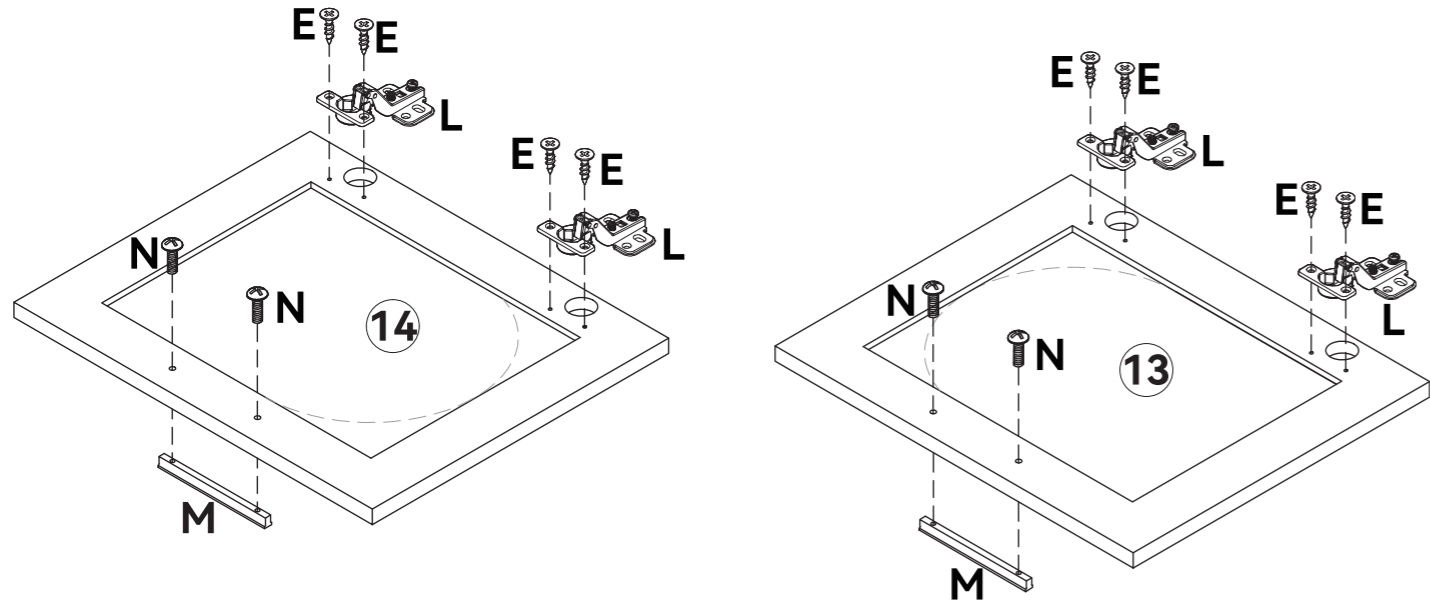
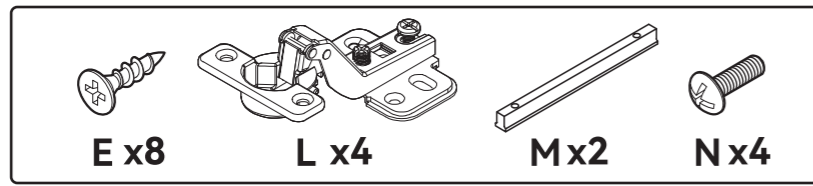
8



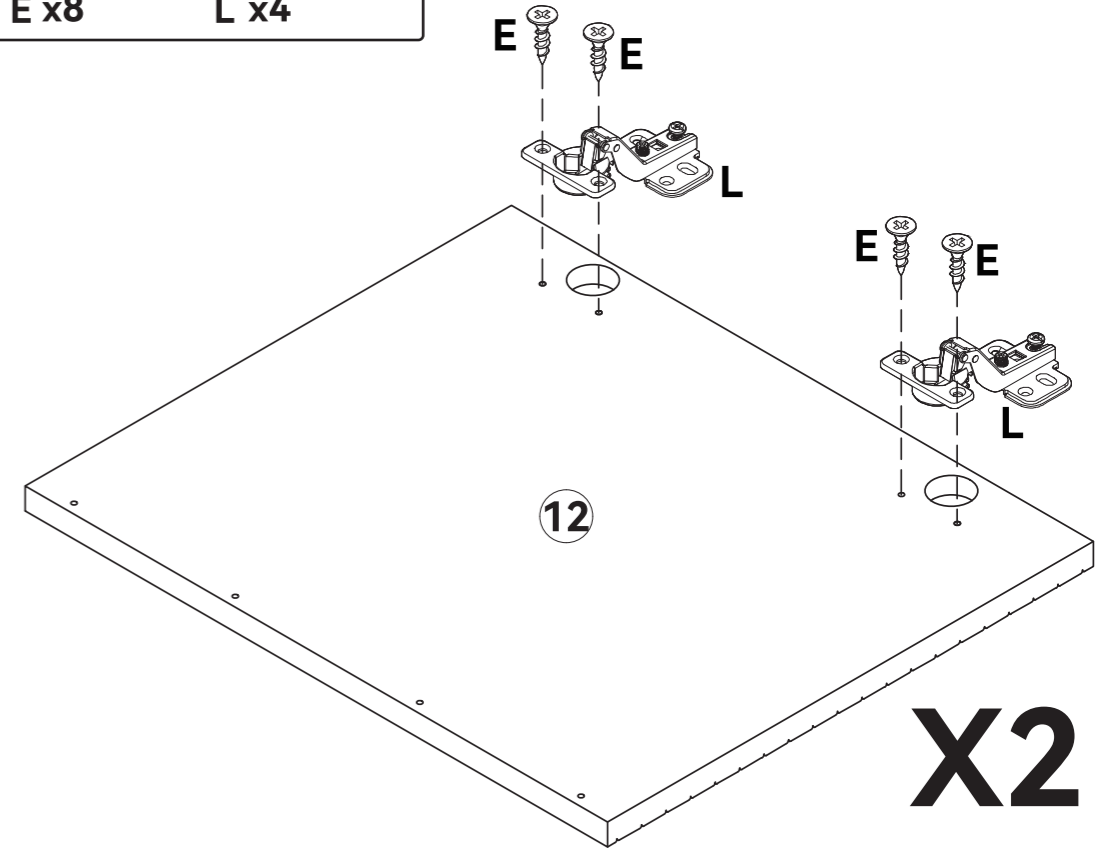
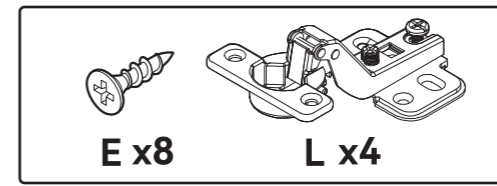
9



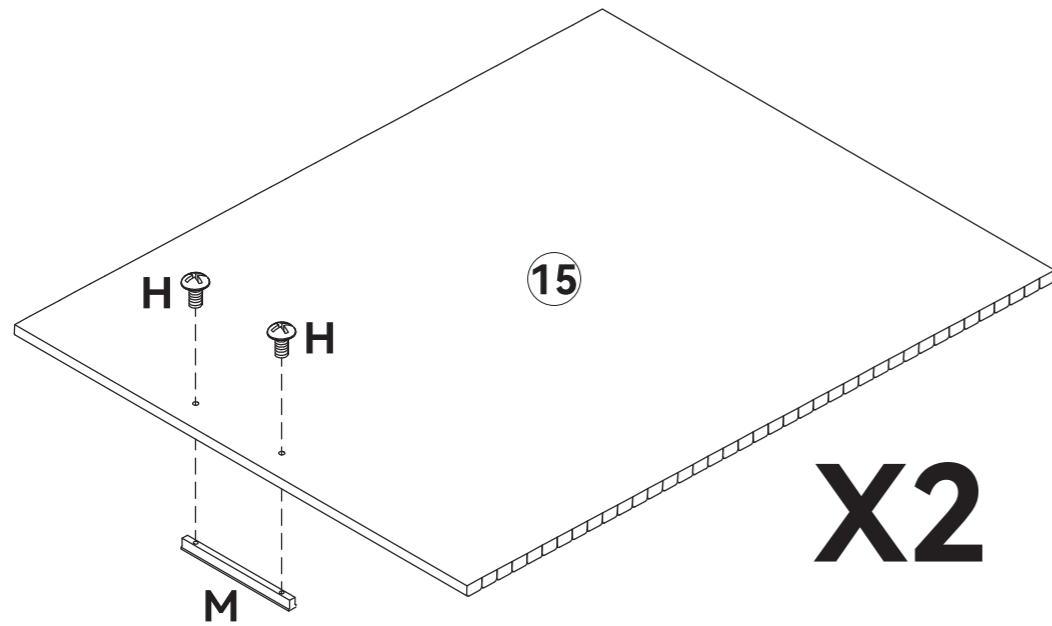
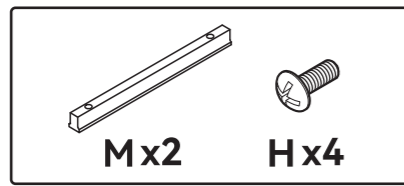
10



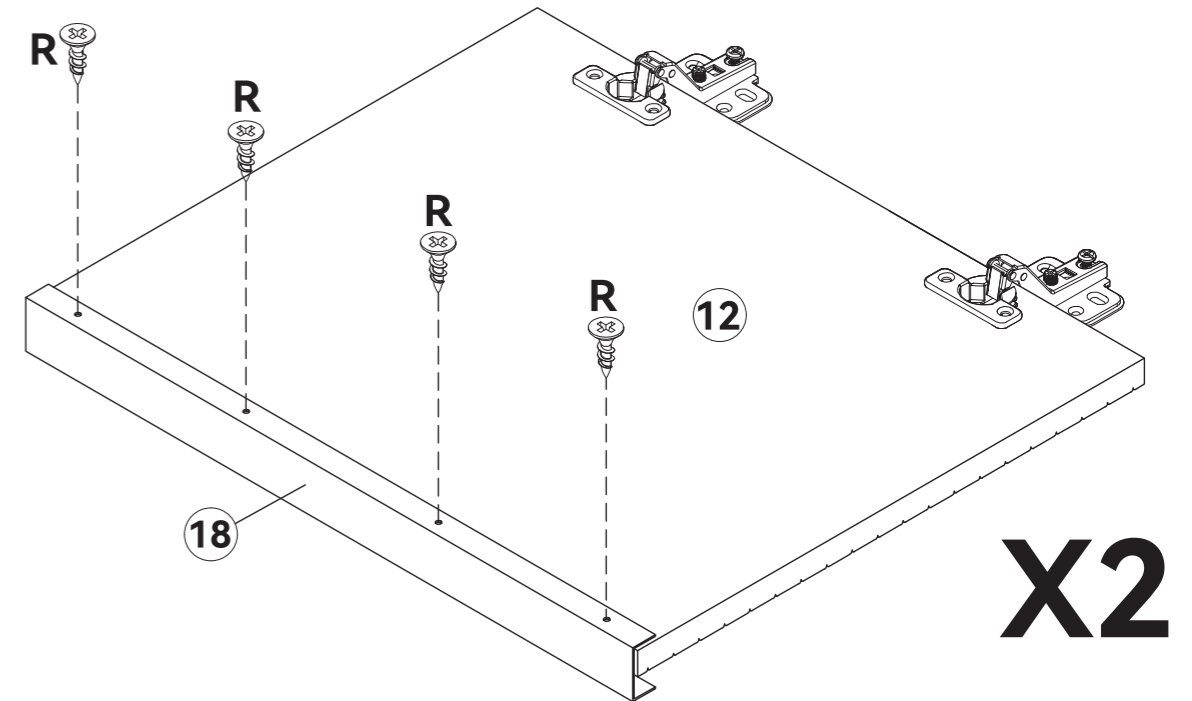
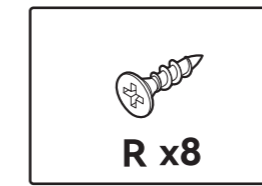
12



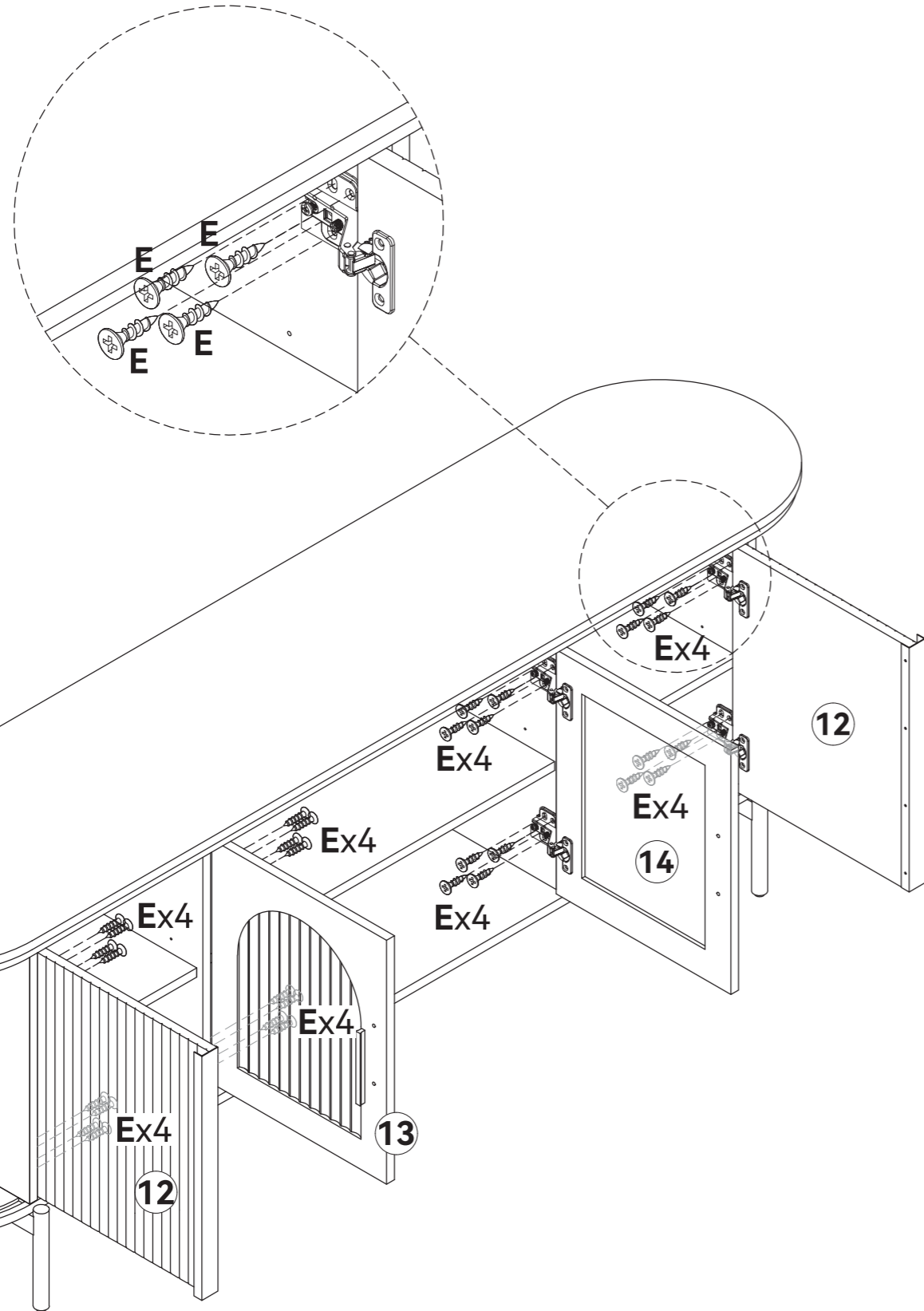
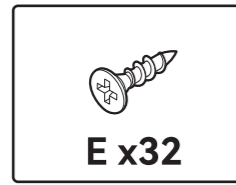
11



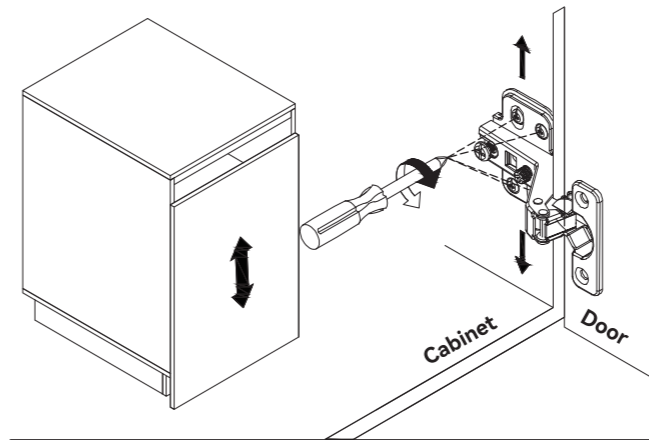
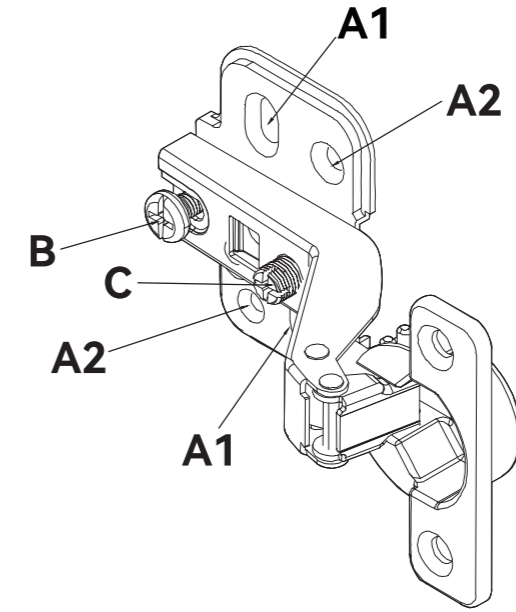
13



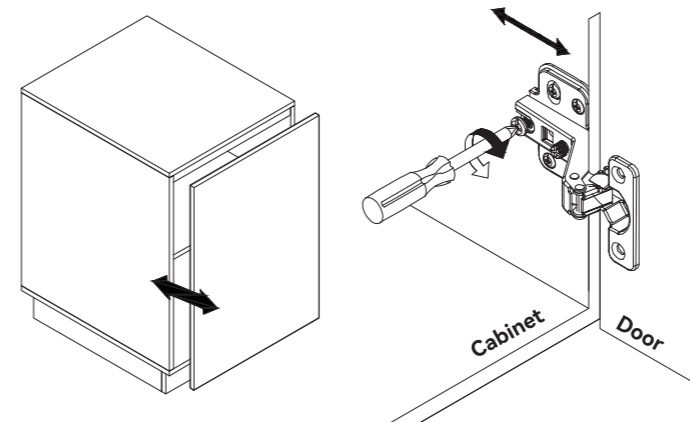
14



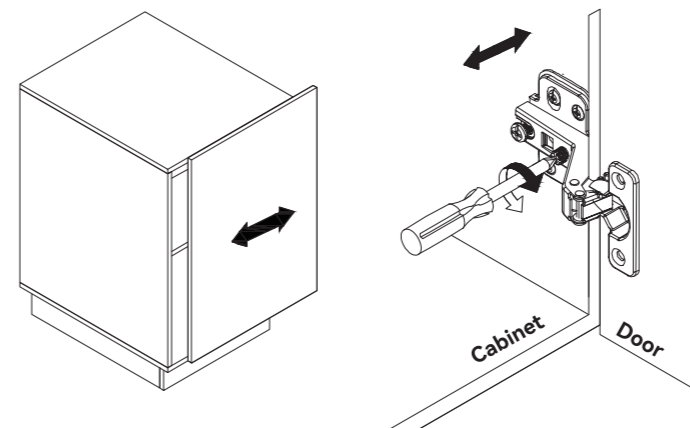
15



Up and down adjustment:
Loosen the four screws A1 and A2 on both hinges. Two in the slotted holes allows you to raise or lower the top cover. Tighten the screws to secure in place.

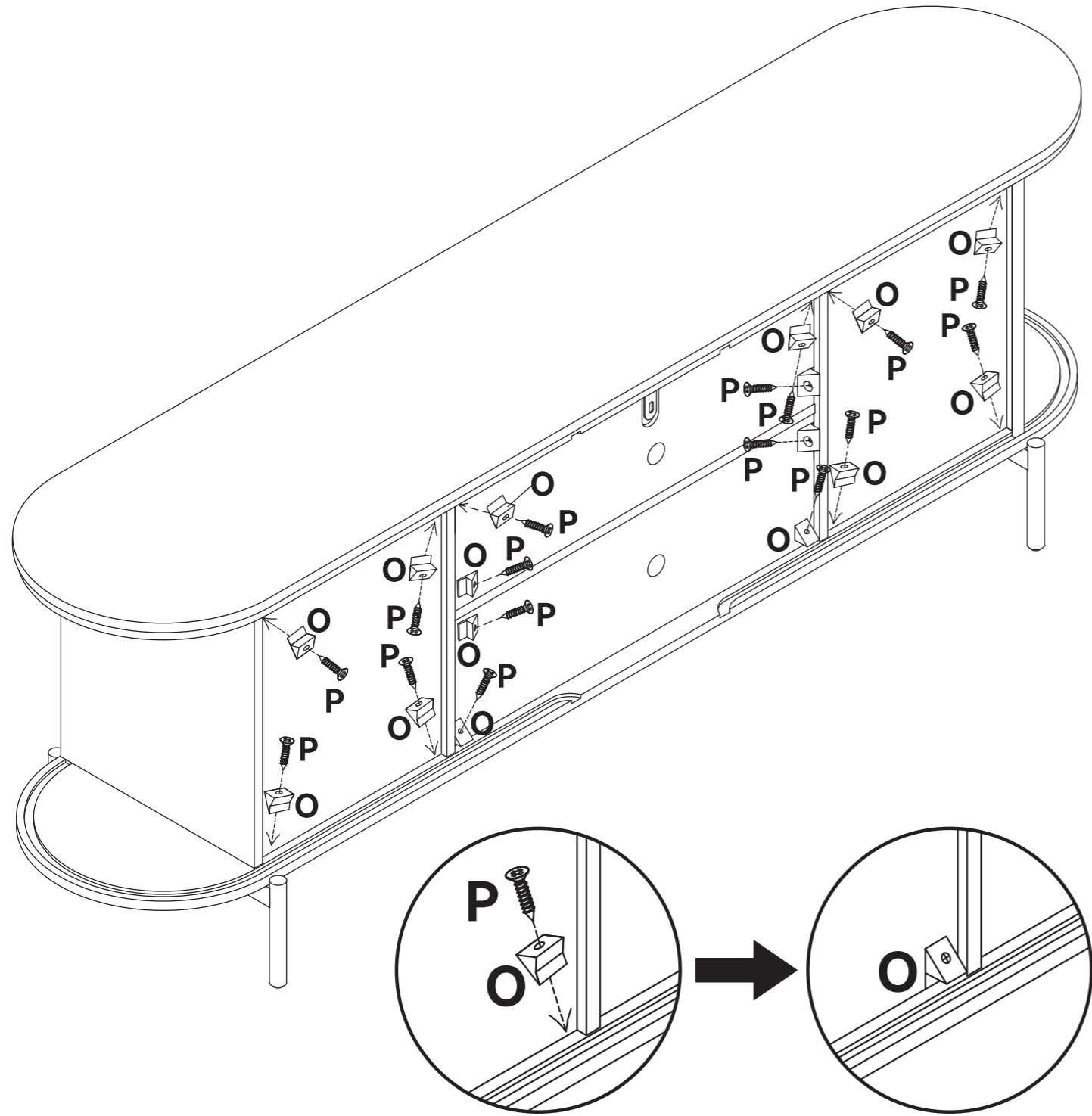
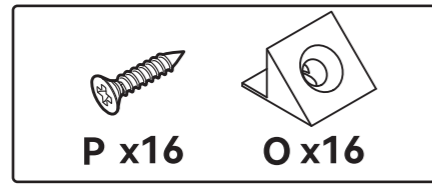


In and out adjustment:
Loosen the screw B on the hinge to adjust the top cover. If the cover cannot be adjusted, loosen the screw C and try again. Tighten the screws to secure in place.

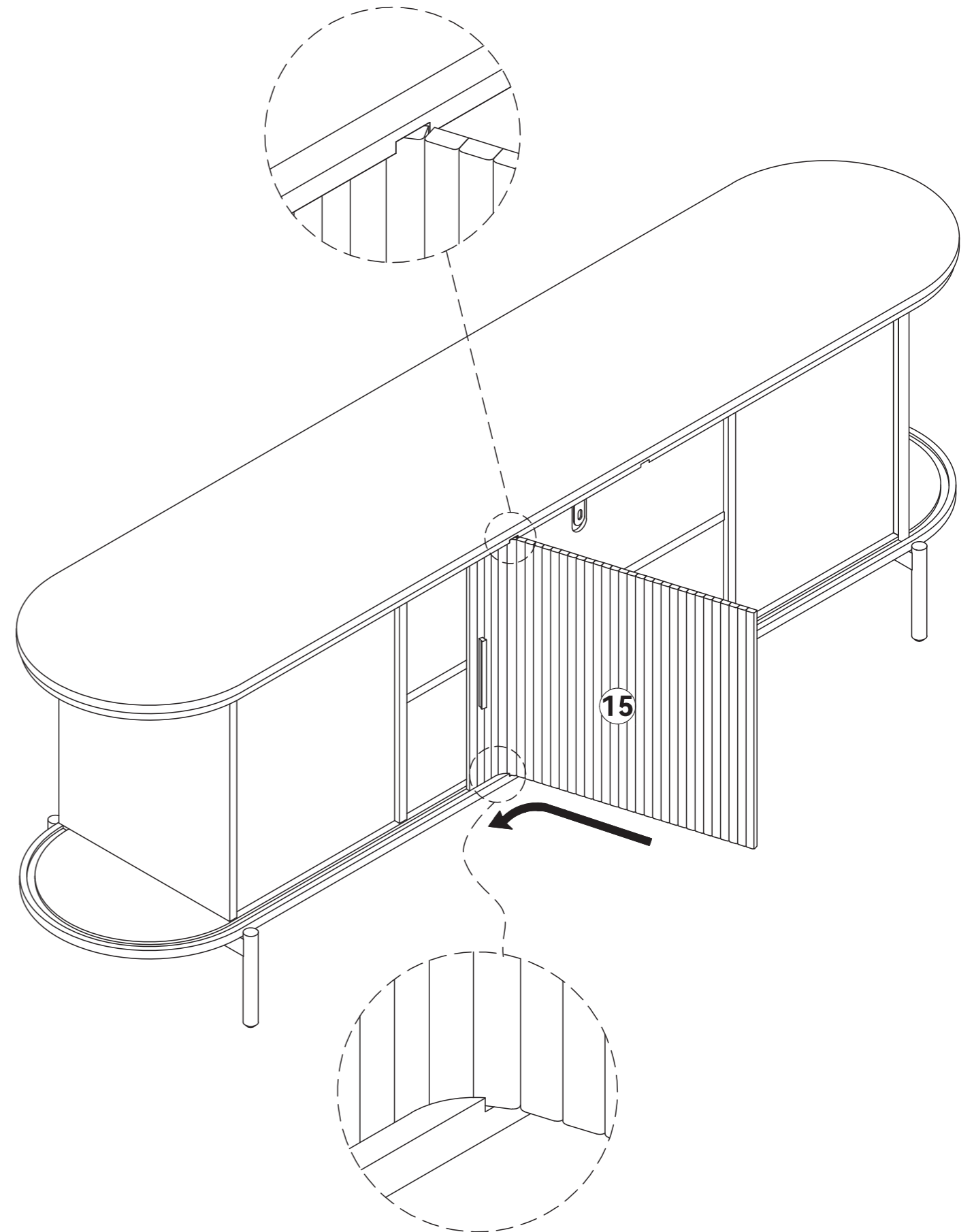


Side-to-side adjustment:
Loosen the front screw C on the hinge to align the door horizontally.

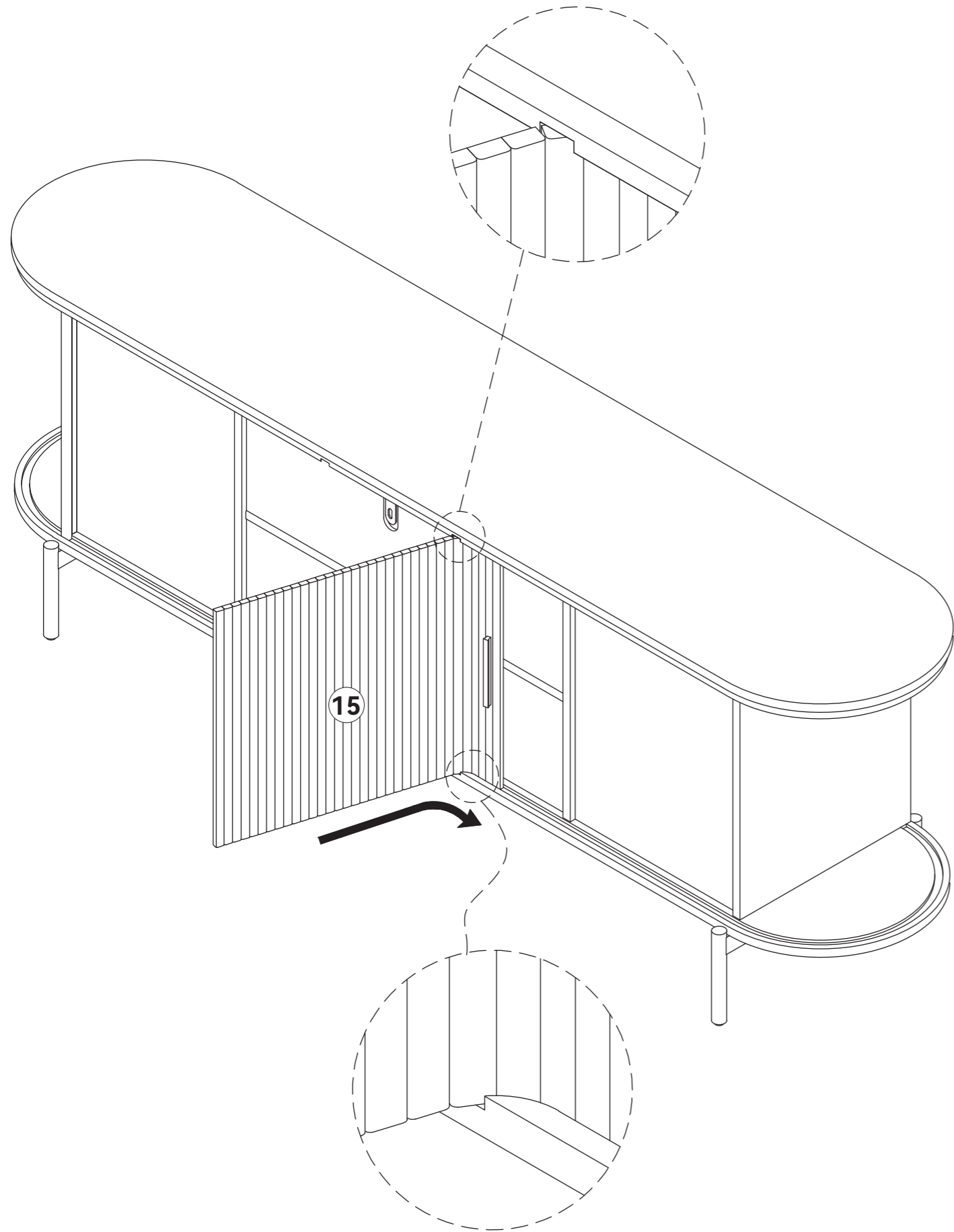
16



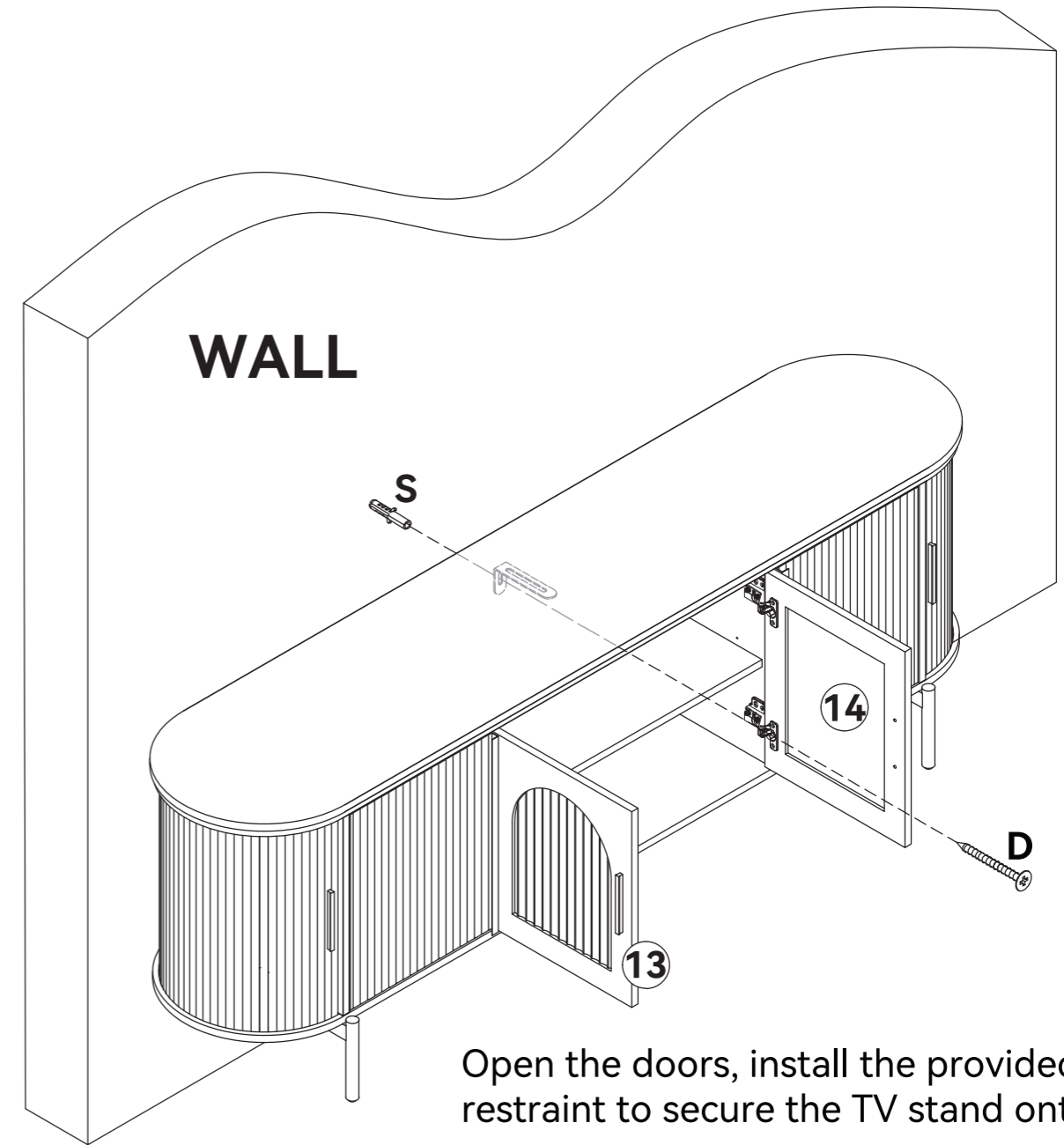
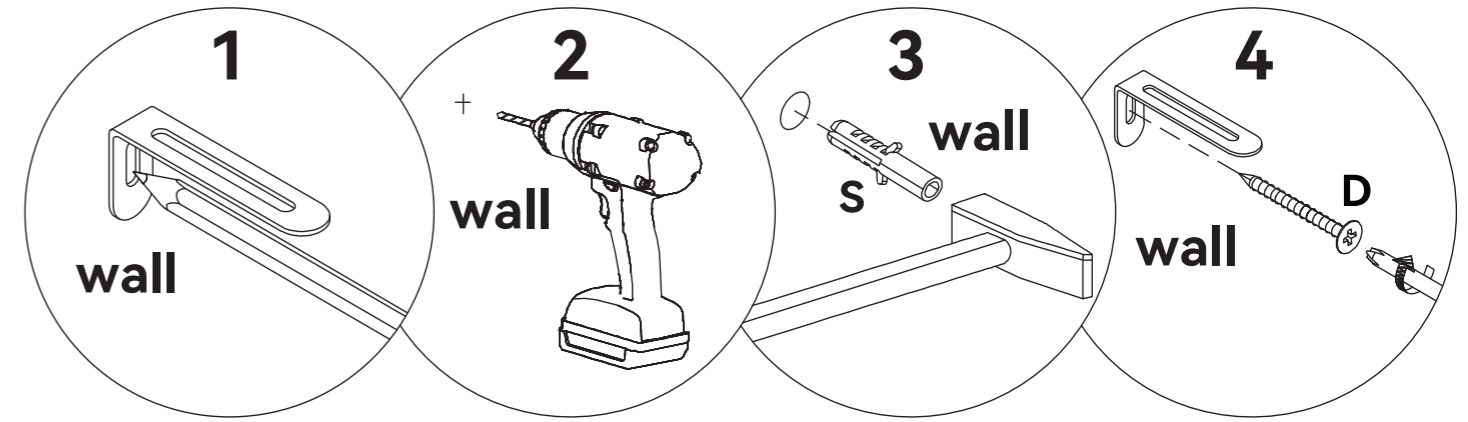
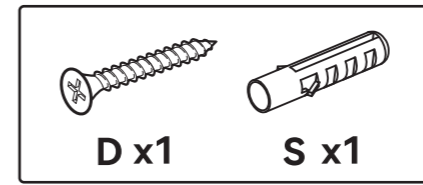
17



18



19



Open the doors, install the provided tipover restraint to secure the TV stand onto the wall.