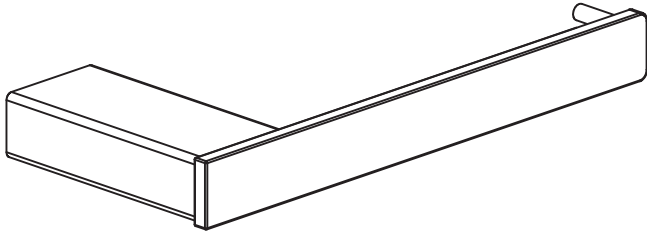




# U L T R A FAUCETS

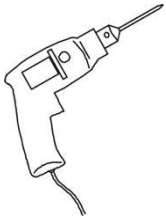
## INSTRUCTION

### Bathroom Accessories

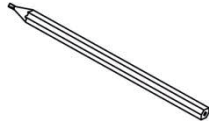


Model No.:  
UFA31070  
UFA31073

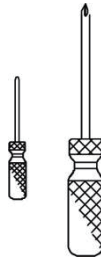
#### Tools You Will Need:



Drill



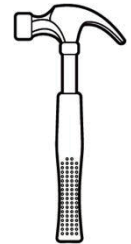
Pencil



Phillips Screwdriver

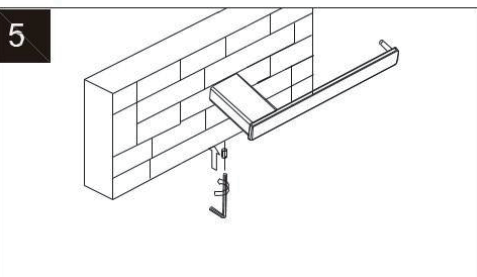
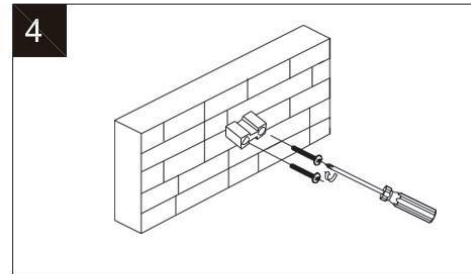
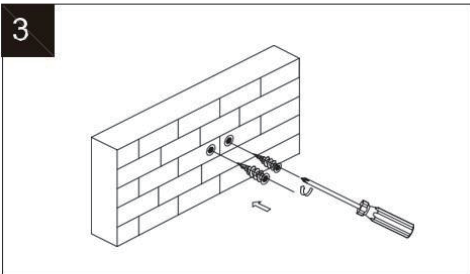
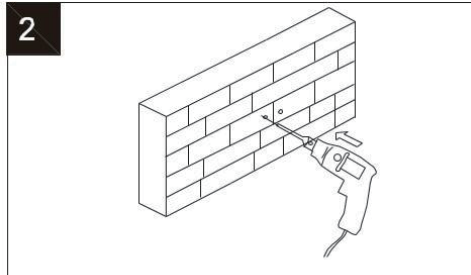
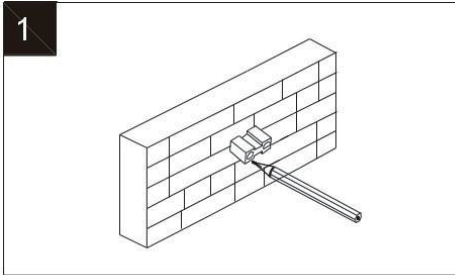


Level



Claw Hammer

#### Preparation/Assembly





# U L T R A FAUCETS

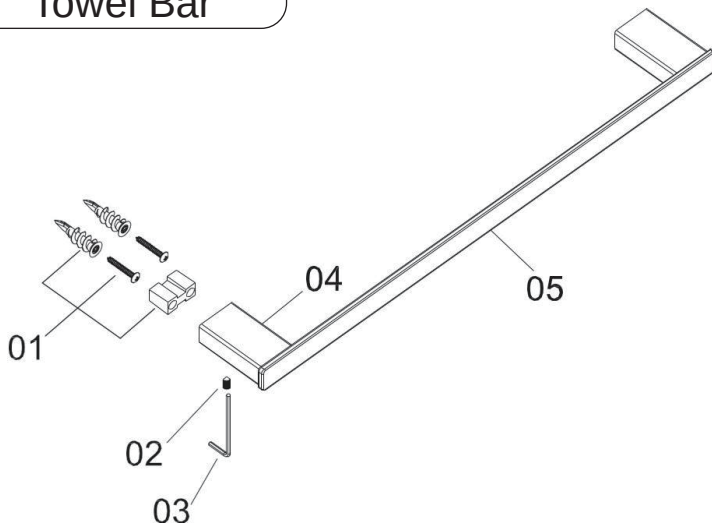
## INSTRUCTION

Exploded Drawing  
RP(Replacement Parts)

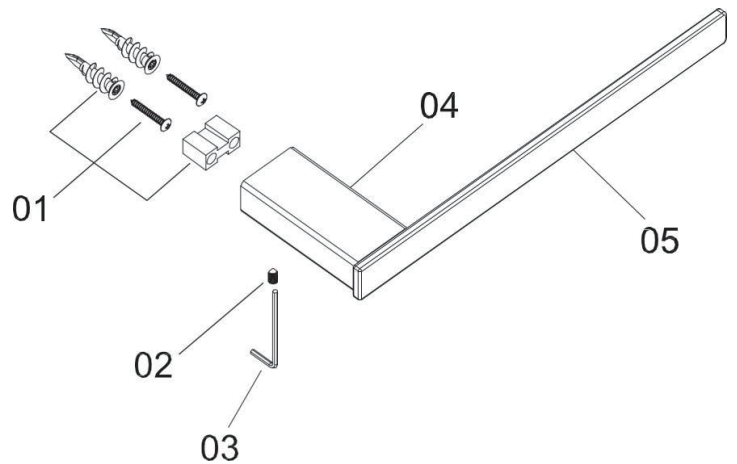
Model No.:  
UFA31070  
UFA31073

No.	Description	Part No.
1	Mounting Hardware	138A19
2	Set Screw	138A72
3	Hex Wrench	01101

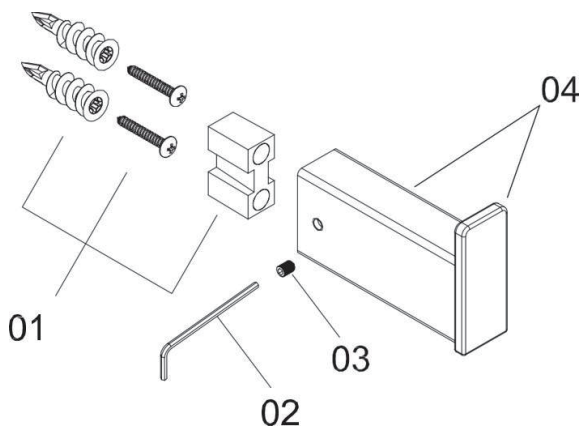
### Towel Bar



### Towel Ring



### Robe Hook



### Tissue Hodler

