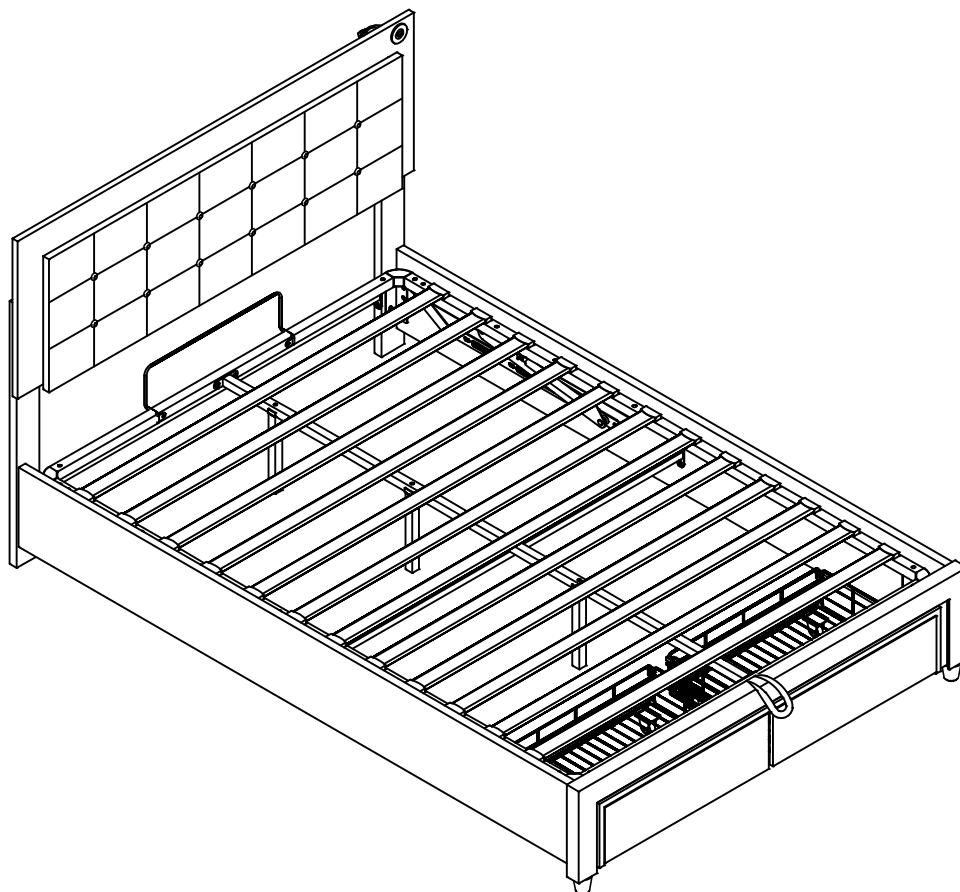


Montageanleitung | Instructions de montage Assembly Instructions | Instrucciones de montaje

N652P351066/N652P351067



GB This set comes in 2 boxes. If you do not receive a full set of 2 boxes, please contact our customer service.

DE Dieses Set wird in 2 Schachteln geliefert. Wenn Sie nicht ein komplettes Set von 2 Boxen erhalten, kontaktieren Sie bitte unseren Kundenservice.

FR Ce set est livré en 2 boîtes. Si vous ne recevez pas un jeu complet de 2 boîtes, veuillez contacter notre service clientèle.

English

IMPORTANT FOR GAS LIFT BEDS&MAINTAINANCE

- Please place the mattress on top of the bed frame.
- Please do not pull on the strap handles.
- Please press heavily to release the compressed gas.
- Periodically check all screw & fixings to ensure they are secure.
- When moving your product, carefully lift into place.
- Wipe clean with a slightly damp cloth- please do not use abrasive chemicals or bleach.
- Do NOT allow children to operate the lift mechanism.
- Do NOT allow children near the lift base when operating the mechanism.
- Do NOT stand inside the bed or the internal storage base.
- Do NOT overload the internal storage base.
- DO NOT jump on the product or any of its parts.

Deutsch

WICHTIG FÜR GASLIFT-BETTEN&WARTUNG

- Bitte legen Sie die Matratze oben auf den Bettrahmen.
- Bitte ziehen Sie nicht an den Gurtgriffen.
- Bitte drücken Sie kräftig, um das komprimierte Gas freizusetzen.
- Überprüfen Sie regelmäßig alle Schrauben und Befestigungen, um sicherzustellen, dass sie sicher sind.
- Wenn Sie Ihr Produkt bewegen, heben Sie es vorsichtig an seinen Platz.
- Mit einem leicht feuchten Tuch abwischen - bitte keine scheuernden Chemikalien oder Bleichmittel verwenden.
- Erlauben Sie Kindern NICHT, den Hebemechanismus zu bedienen.
- Lassen Sie Kinder NICHT in die Nähe des Liftsockels, wenn Sie den Mechanismus bedienen.
- Stellen Sie sich NICHT in das Bett oder in die Innenablage.
- Überlasten Sie den internen Liftsockel NICHT.
- Springen Sie NICHT auf das Produkt oder eines seiner Teile.

Français

IMPORTANT POUR LES LITS À RELEVAGE DE GAZ&MAINTENANCE

- Veuillez placer le matelas sur le dessus du cadre de lit.
- Ne tirez pas sur les poignées de la sangle.
- Appuyez fortement pour libérer le gaz comprimé.
- Vérifiez régulièrement que toutes les vis et fixations sont bien en place.
- Lorsque vous déplacez votre produit, soulevez-le avec précaution pour le mettre en place.
- Nettoyez avec un chiffon légèrement humide - n'utilisez pas de produits chimiques abrasifs ou d'eau de Javel.
- Ne laissez pas les enfants utiliser le mécanisme de levage.
- Ne laissez pas les enfants s'approcher de la base de levage lorsqu'ils actionnent le mécanisme.
- Ne vous tenez PAS à l'intérieur du lit ou de la base de stockage interne.
- Ne surchargez pas la base de stockage interne.
- Ne pas sauter sur le produit ou l'une de ses parties.

Italiano

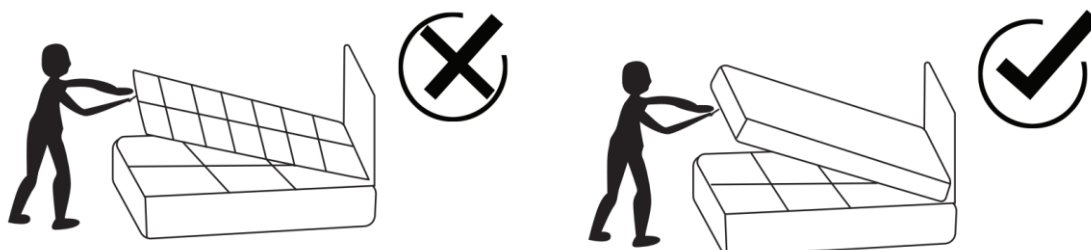
IMPORTANTE PER I LETTI CON SOLLEVAMENTO A GAS E LA MANUTENZIONE

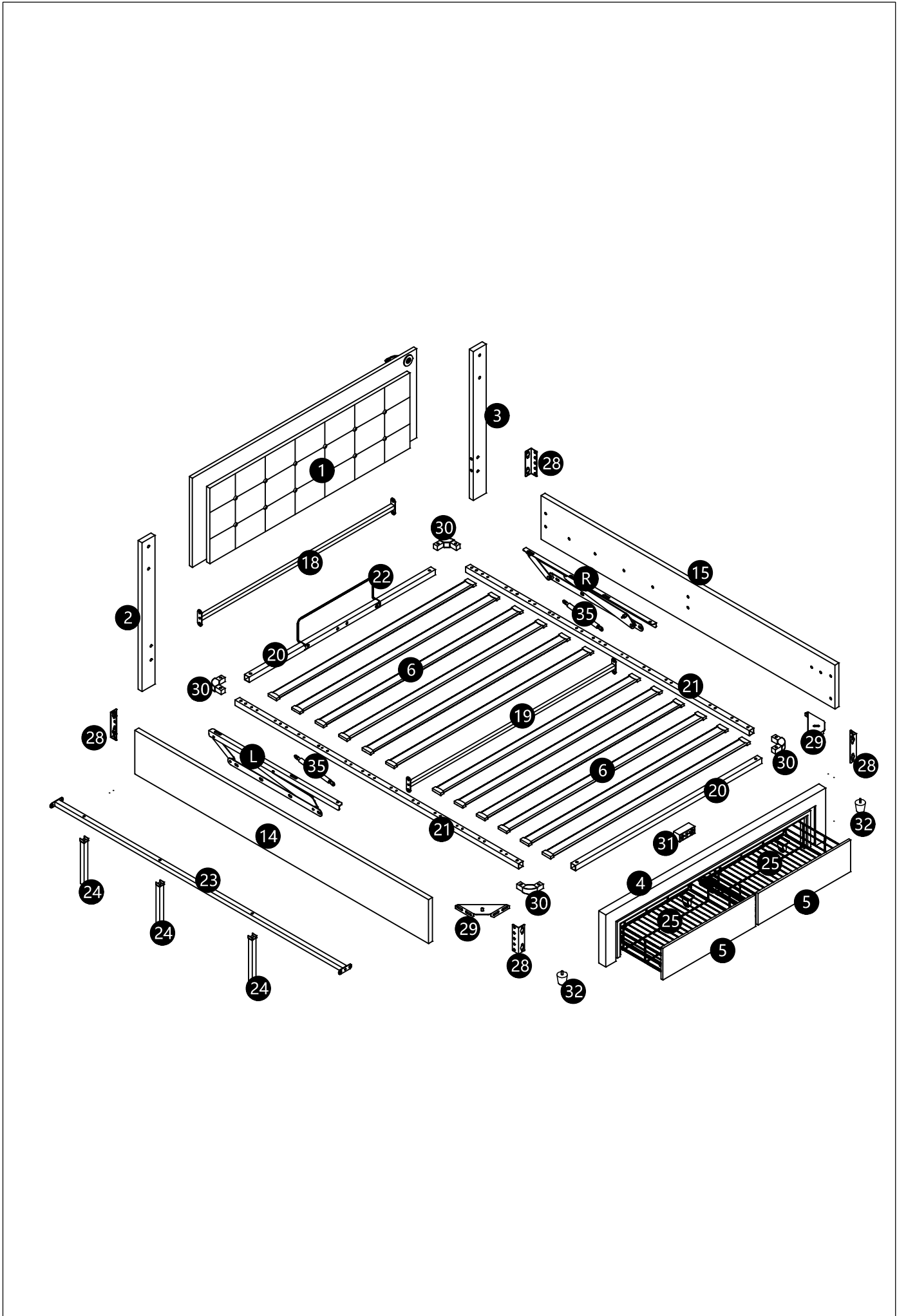
- Posizionare il materasso sopra la struttura del letto.
- Non tirare le maniglie della cinghia.
- Premere con forza per rilasciare il gas compresso.
- Controllare periodicamente tutte le viti e i fissaggi per assicurarsi che siano saldi.
- Quando si sposta il prodotto, sollevarlo con cautela.
- Pulire con un panno leggermente umido, senza usare prodotti chimici abrasivi o candeggina.
- NON permettere ai bambini di azionare il meccanismo di sollevamento.
- NON permettere ai bambini di avvicinarsi alla base di sollevamento quando si aziona il meccanismo.
- NON sostare all'interno del letto o della base di contenimento interna.
- NON sovraccaricare la base di contenimento interna.
- NON saltare sul prodotto o sulle sue parti.

Español

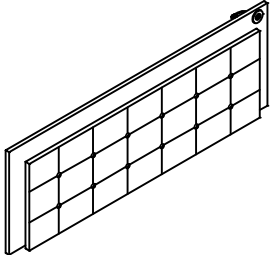


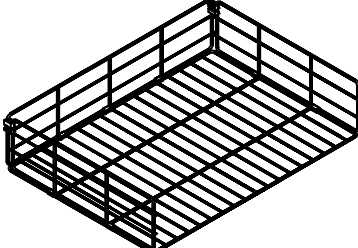

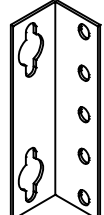
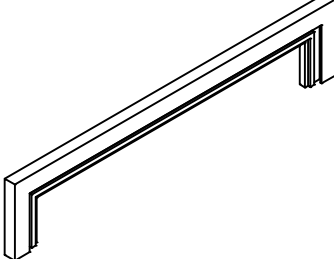
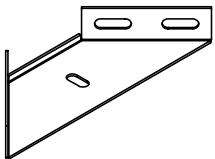
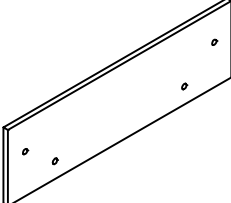
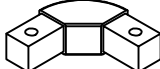
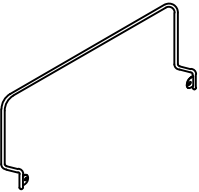
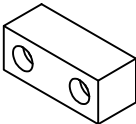
IMPORTANTE PARA LAS CAMAS ELEVADORAS DE GAS&MANTENIMIENTO

- Coloque el colchón sobre el somier.
- No tire de las asas de la correa.
- Presione con fuerza para liberar el gas comprimido.
- Compruebe periódicamente que todos los tornillos y fijaciones estén bien sujetos.
- Al mover el producto, levántelo con cuidado para colocarlo en su sitio.
- Limpie con un paño ligeramente humedecido; no utilice productos químicos abrasivos ni lejía.
- NO permita que los niños accionen el mecanismo de elevación.
- NO permita que los niños se acerquen a la base elevadora cuando accionen el mecanismo.
- NO se ponga de pie dentro de la cama o de la base de almacenamiento interna.
- NO sobrecargue el somier.
- NO salte sobre el producto ni sobre ninguna de sus piezas.


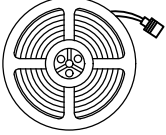
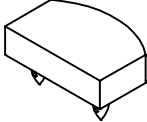
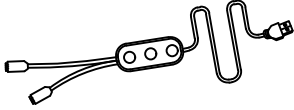
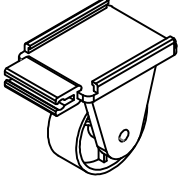
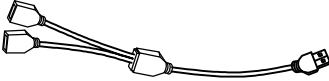
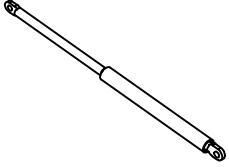
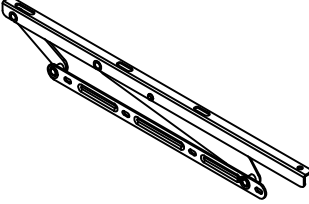

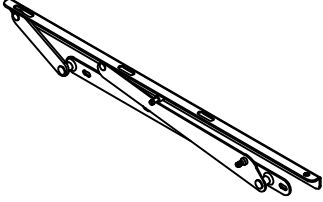
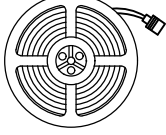




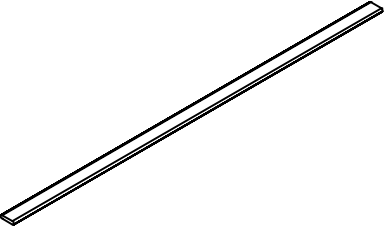
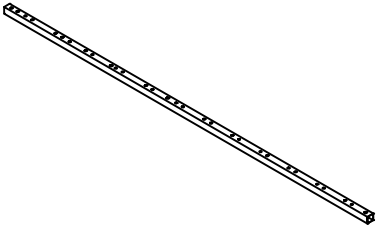
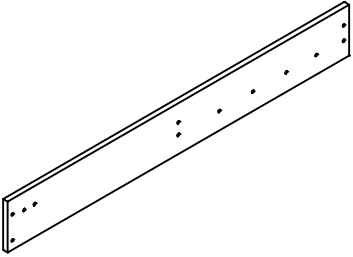
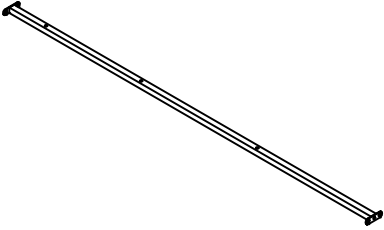
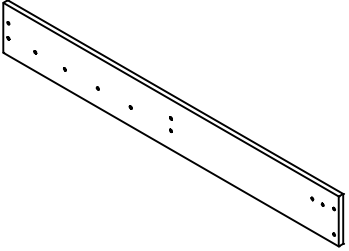
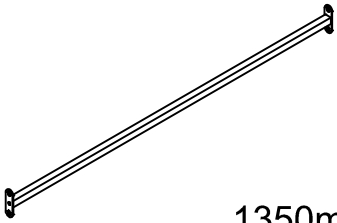
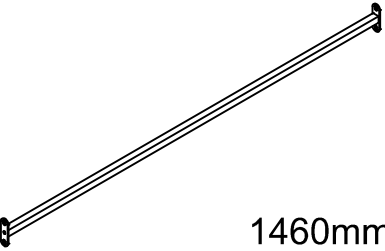
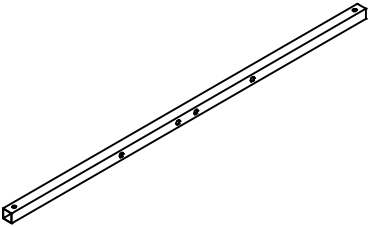
N652P351066

<p>1</p>		<p>X1</p>	<p>24</p>		<p>X3</p>
<p>2</p>		<p>X1</p>	<p>25</p>		<p>X2</p>
<p>3</p>		<p>X1</p>	<p>28</p>		<p>X4</p>
<p>4</p>		<p>X1</p>	<p>29</p>		<p>X2</p>
<p>5</p>		<p>X2</p>	<p>30</p>		<p>X4</p>
<p>22</p>		<p>X1</p>	<p>31</p>		<p>X1</p>

N652P351066



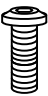

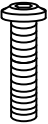
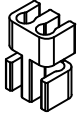
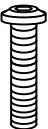




<p>32</p>		<p>X2</p>	<p>39</p>	 <p>Short light strip</p>	<p>X1</p>
<p>33</p>		<p>X24</p>	<p>40</p>	 <p>Power cord</p>	<p>X1</p>
<p>34</p>		<p>X8</p>	<p>41</p>	 <p>Adapter</p>	<p>X1</p>
<p>35</p>		<p>X2</p>	<p>L</p>		<p>X1</p>
<p>36</p>		<p>X1</p>	<p>R</p>		<p>X1</p>
<p>38</p>	 <p>Long light strip</p>	<p>X1</p>			

N652P351067

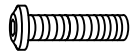
<p>6</p>		<p>X12</p>	<p>21</p>		<p>X2</p>
<p>14</p>		<p>X1</p>	<p>23</p>		<p>X1</p>
<p>15</p>		<p>X1</p>			
<p>18</p>	 <p>1350mm</p>	<p>X1</p>			
<p>19</p>	 <p>1460mm</p>	<p>X1</p>			
<p>20</p>		<p>X2</p>			

Hardware List-Hardware-Liste-Liste du matériel

N652P351066

<p>A</p>	 <p>M8*12</p>	<p>X16</p>	<p>G</p>	 <p>M8*22</p>	<p>X7</p>			
<p>B</p>	 <p>M8*20</p>	<p>X48</p>	<p>H</p>	 <p>M8</p>	<p>X12</p>			
<p>C</p>	 <p>M8*40</p>	<p>X7</p>	<p>J</p>	 	<p>X4+1</p>			
<p>D</p>	 <p>M8*45</p>	<p>X12</p>	<p>K</p>	 	<p>X8+1</p>			
<p>E</p>	 <p>M8</p>	<p>X1</p>	<p>L</p>	 <p>Silent sticker</p>	<p>X4+1</p>			
<p>F</p>	 	<p>X1</p>						

1



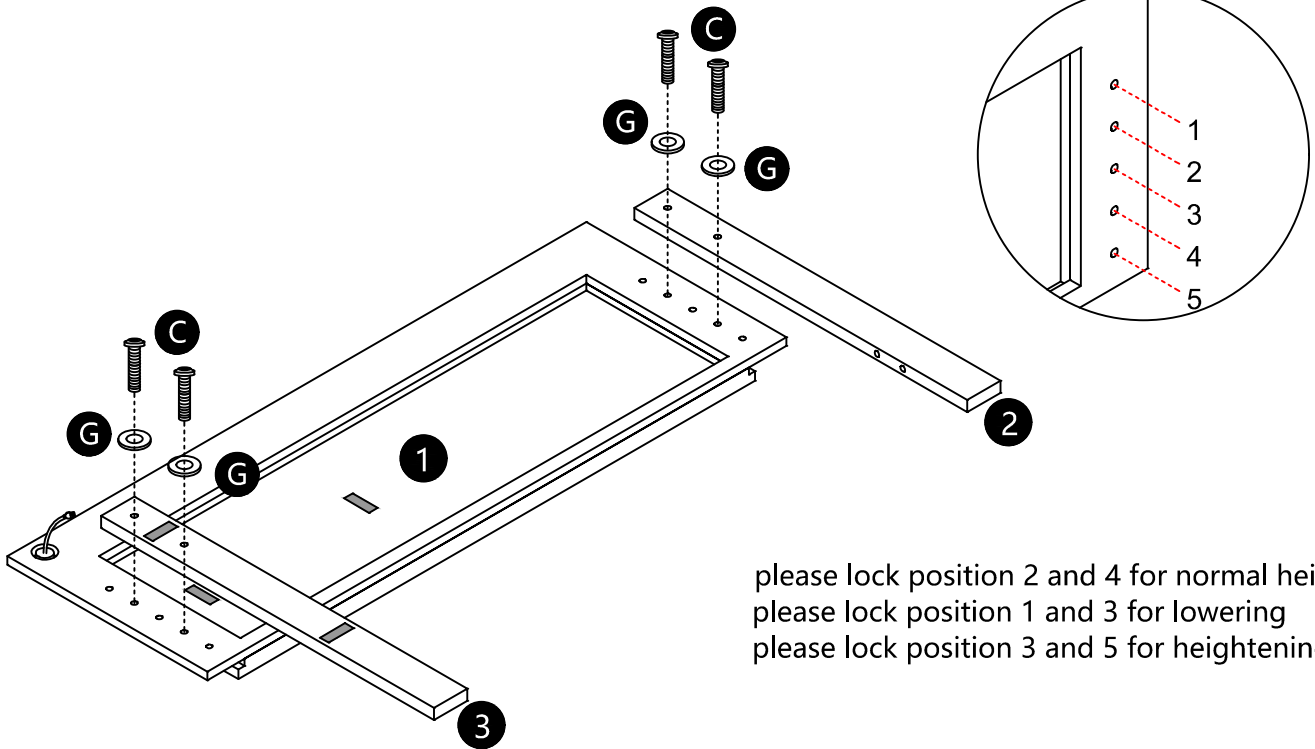
M8*40
CX4pcs



M8*22
GX4pcs



EX1pc

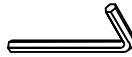


please lock position 2 and 4 for normal height
please lock position 1 and 3 for lowering
please lock position 3 and 5 for heightening

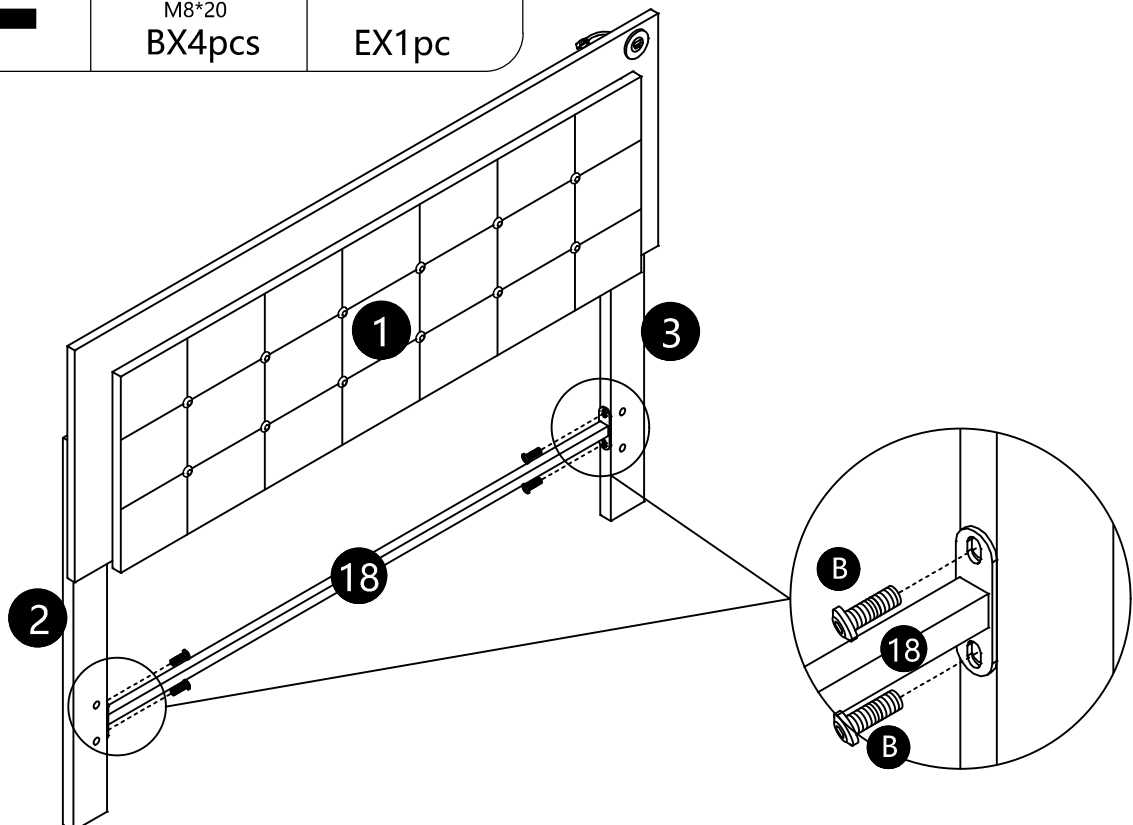
2



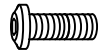
M8*20
BX4pcs



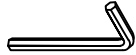
EX1pc



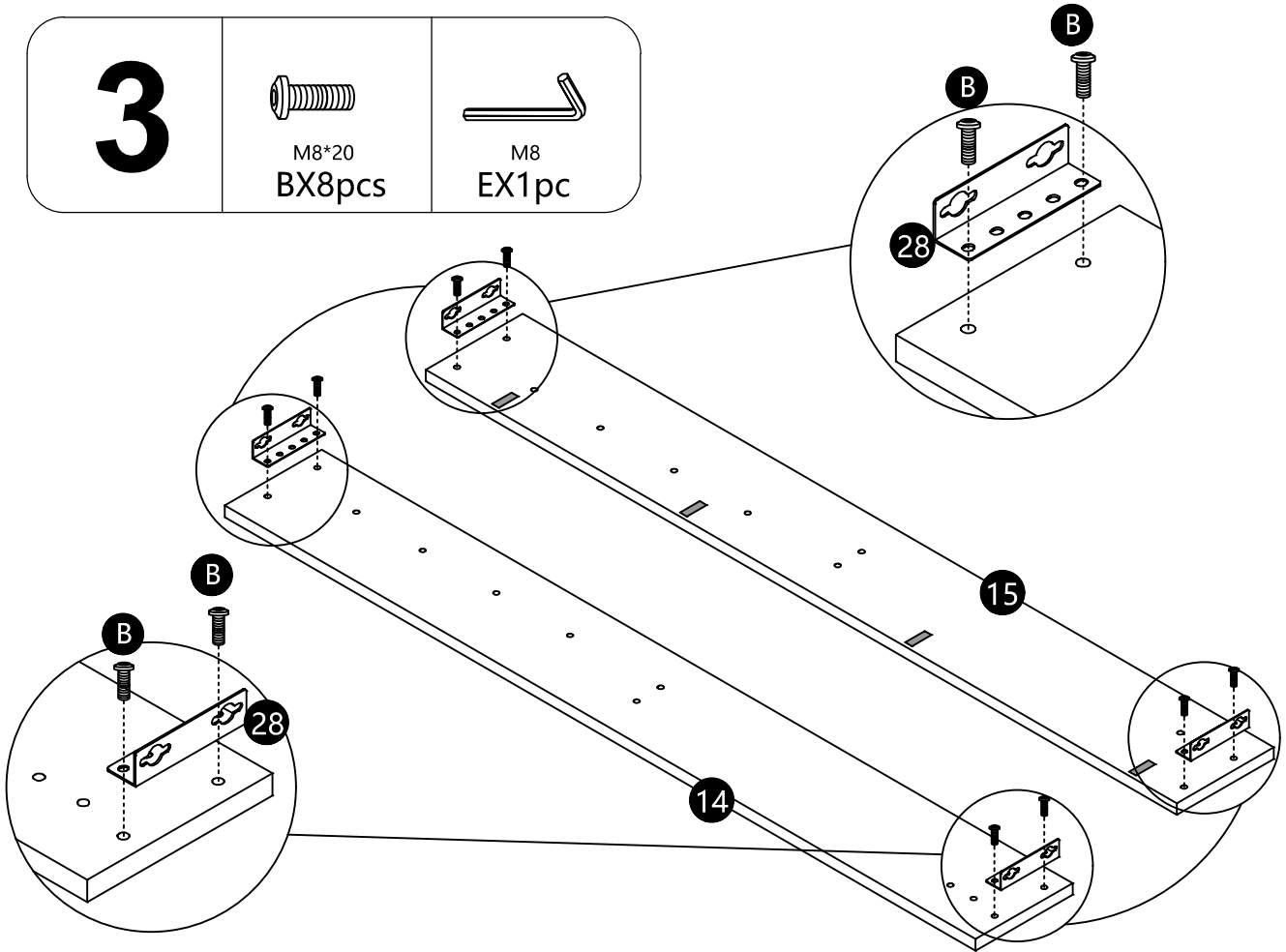
3



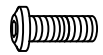
M8*20
BX8pcs



M8
EX1pc



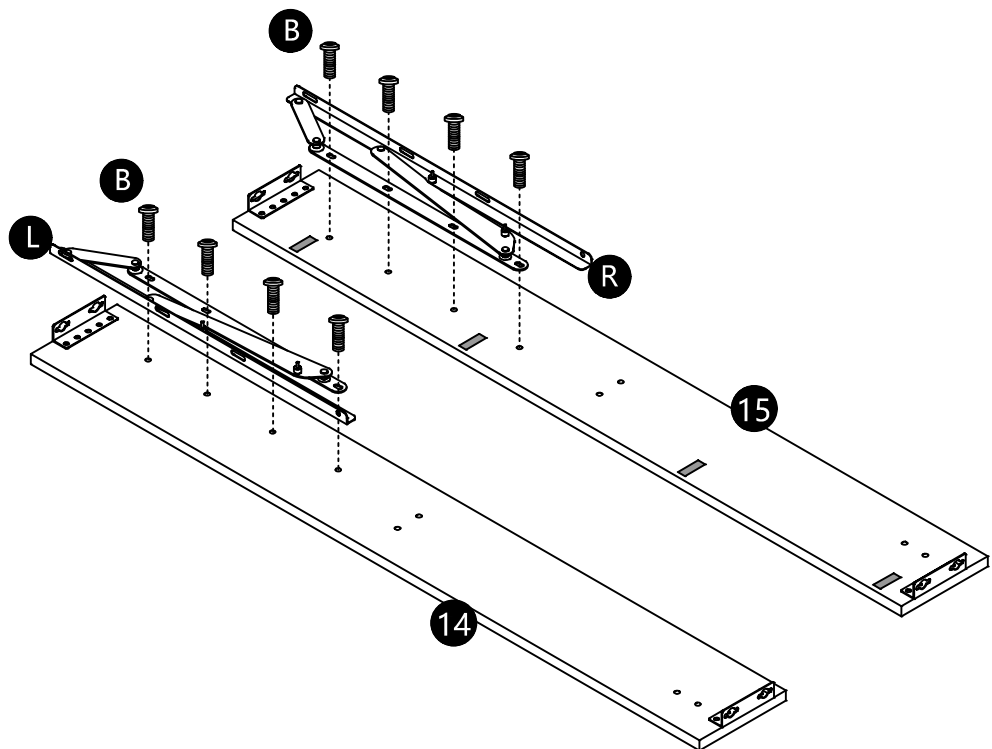
4



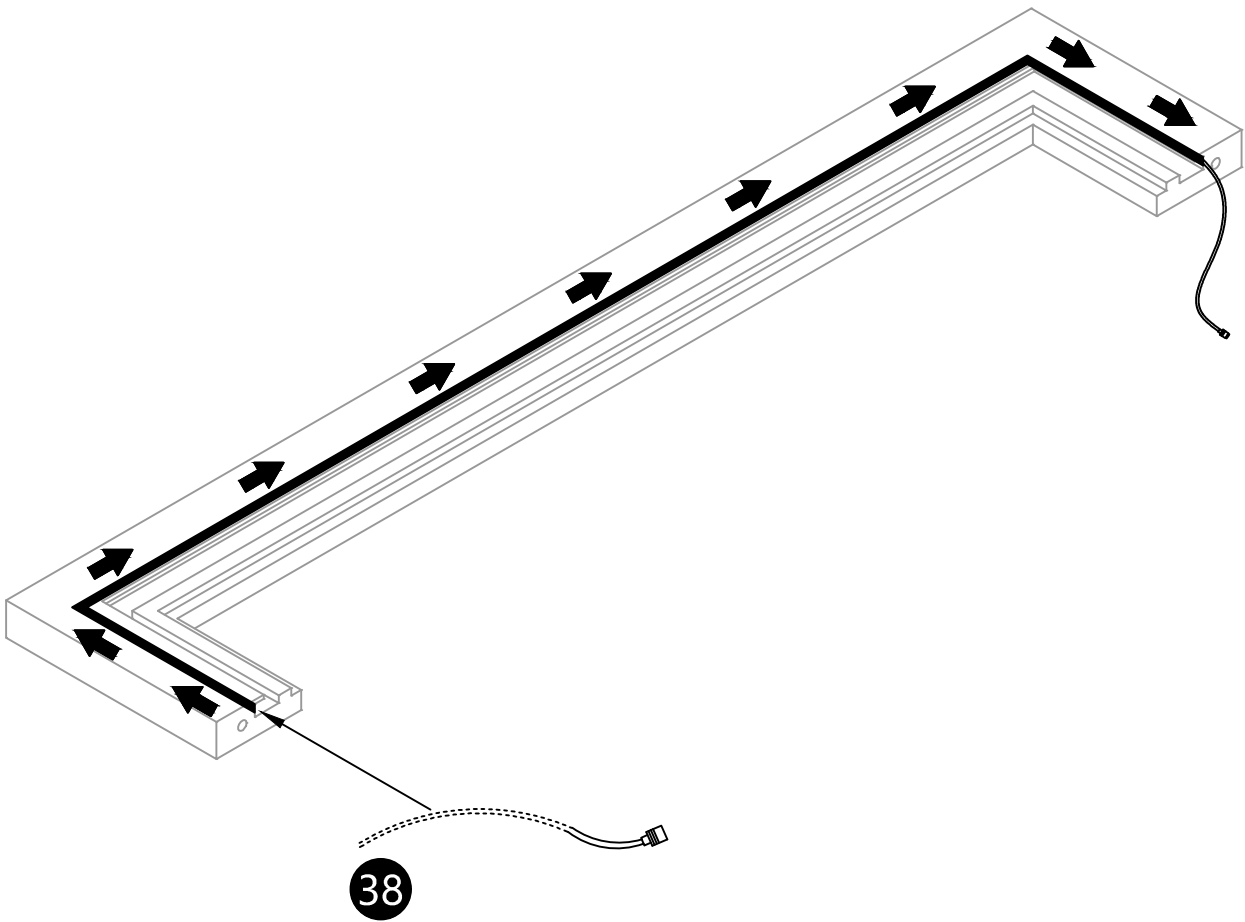
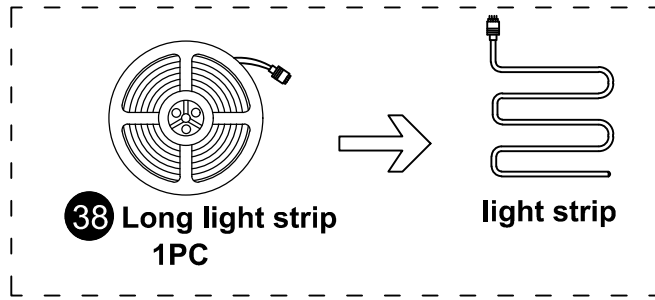
M8*20
BX8pcs



M8
EX1pc



5

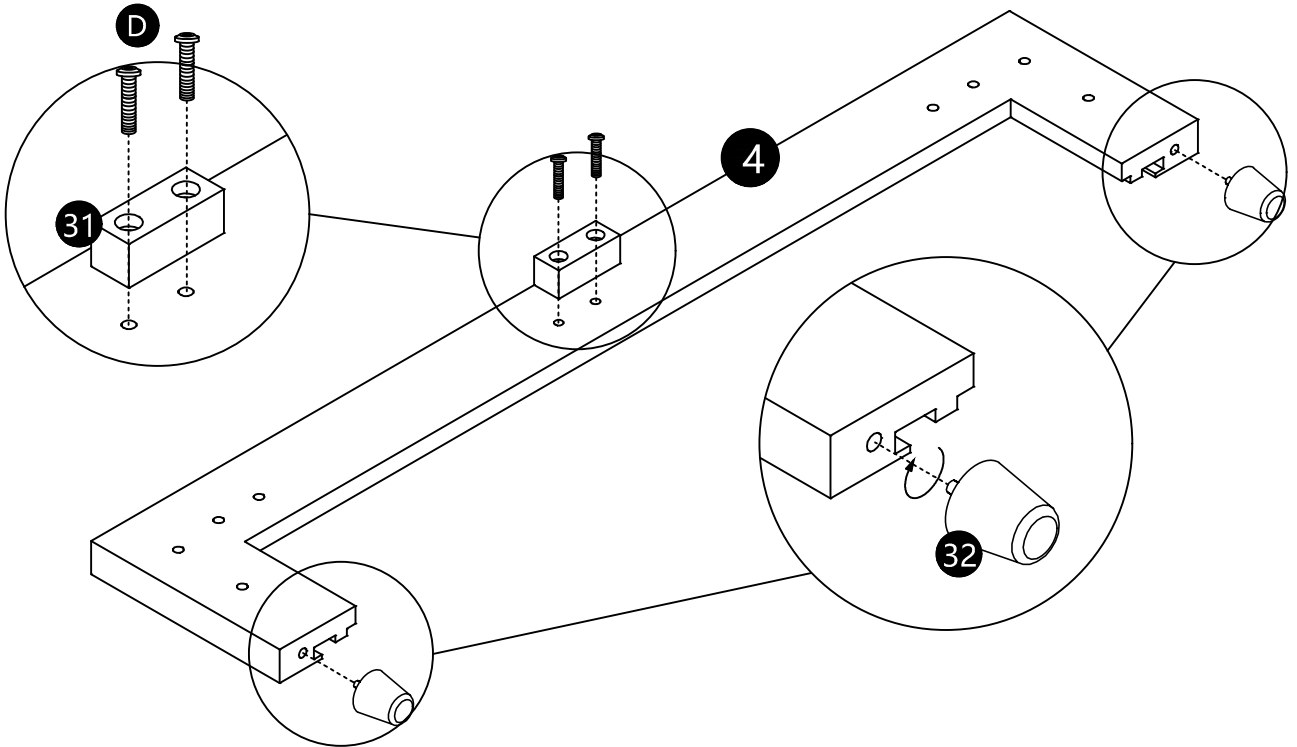


Stick the light strip along the arrow
onto the Velcro inside the groove.

6

M8*45
DX2pcs

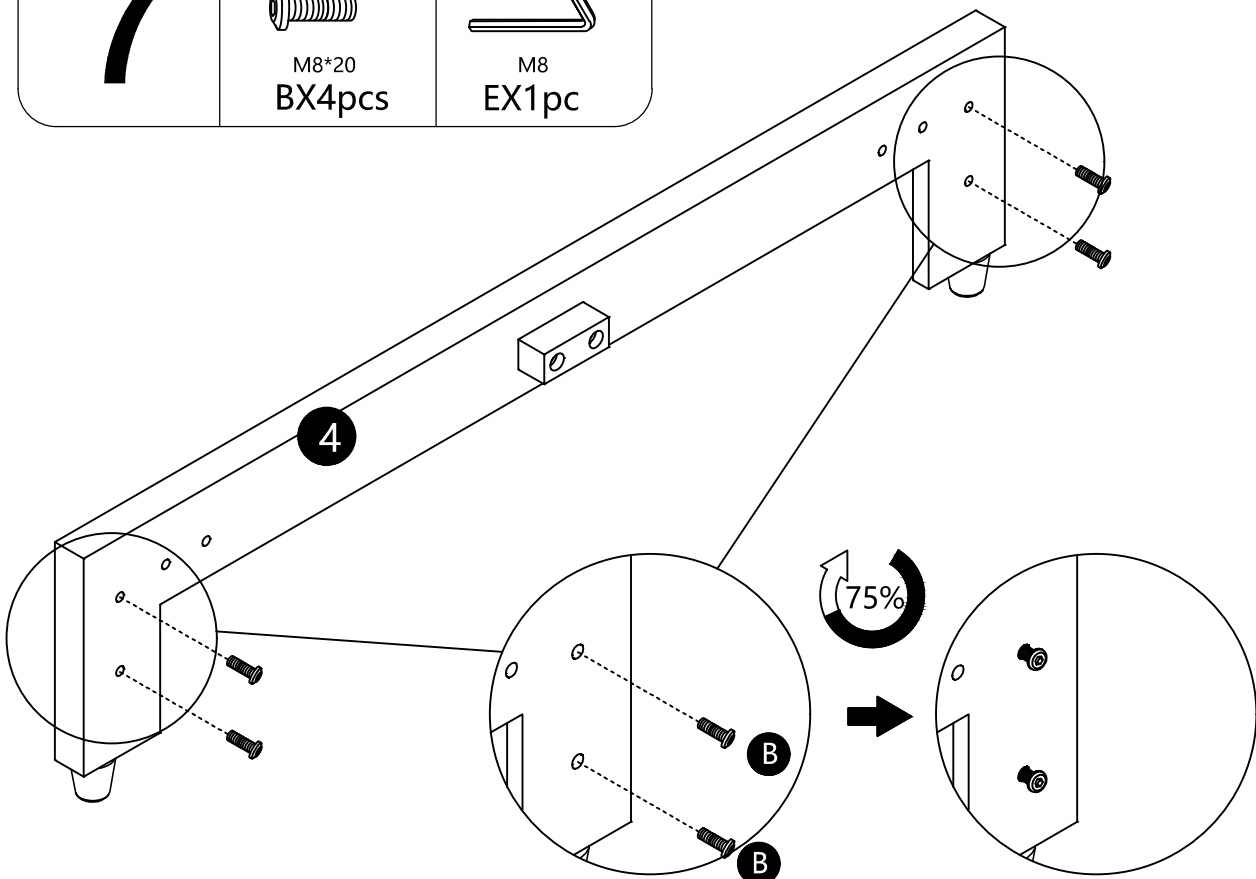
M8
EX1pc



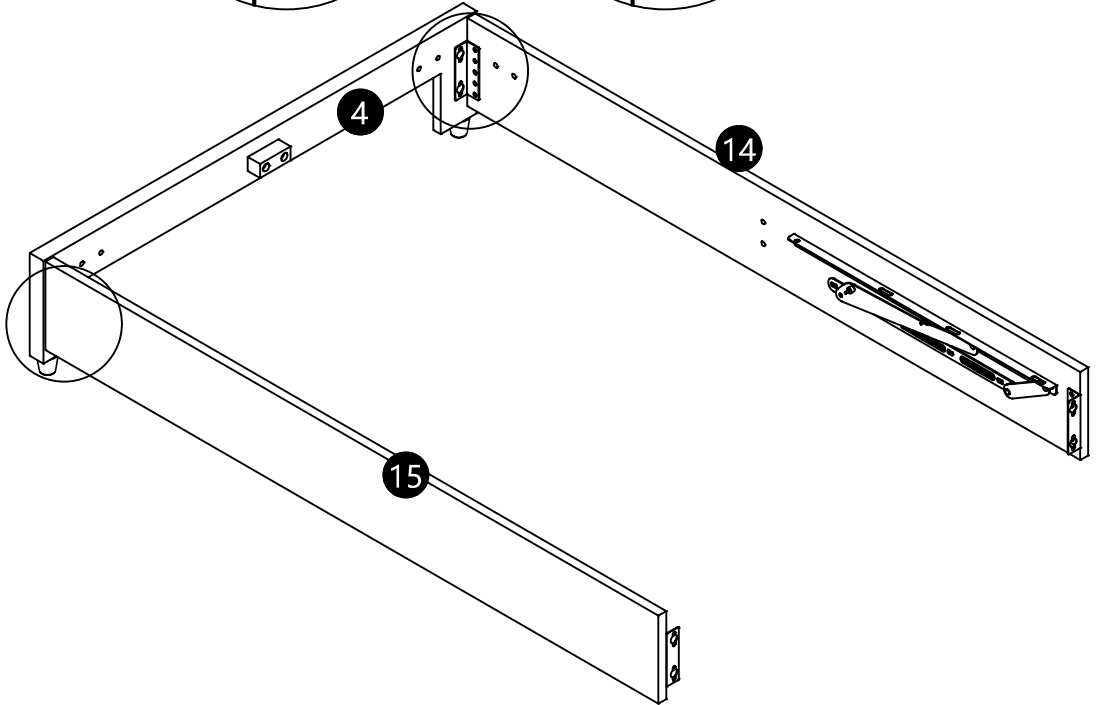
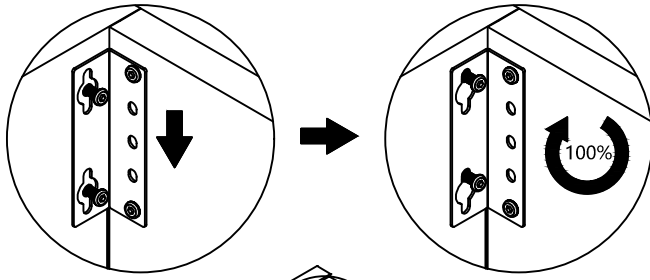
7


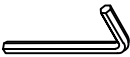
M8*20
BX4pcs

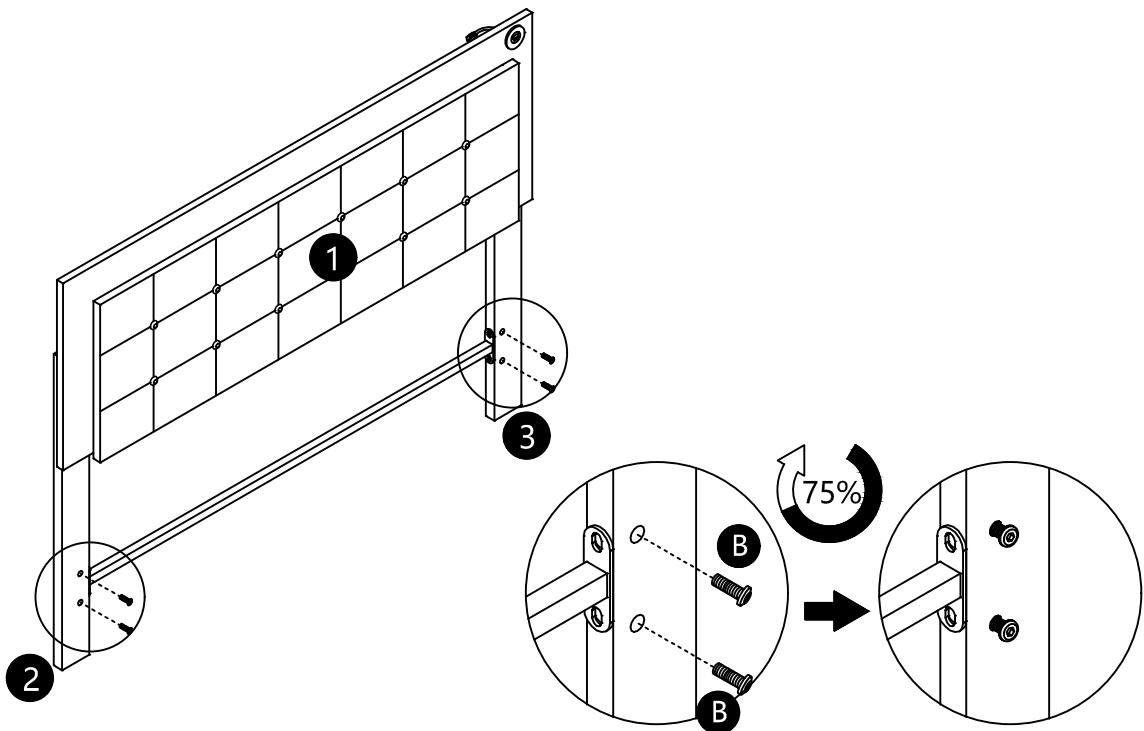
M8
EX1pc



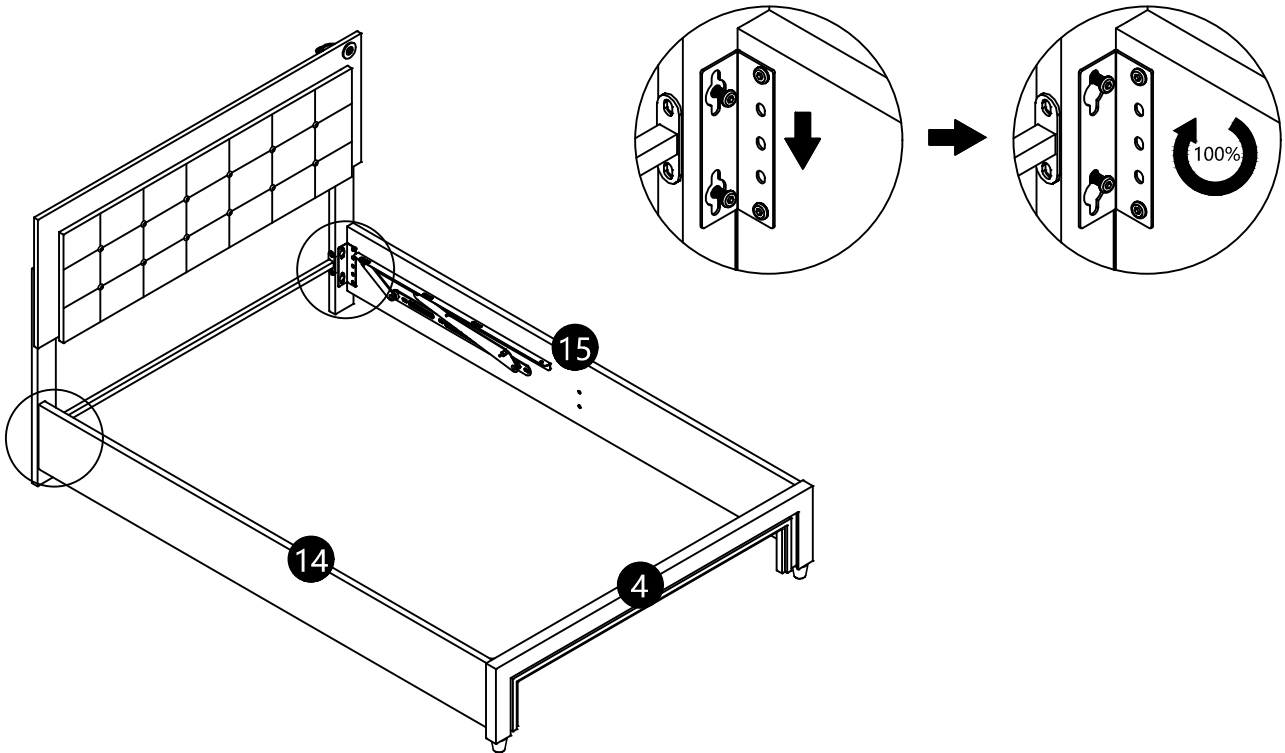
8



<p>9</p>		
	<p>M8*20 BX4pcs</p>	<p>M8 EX1pc</p>



10



11



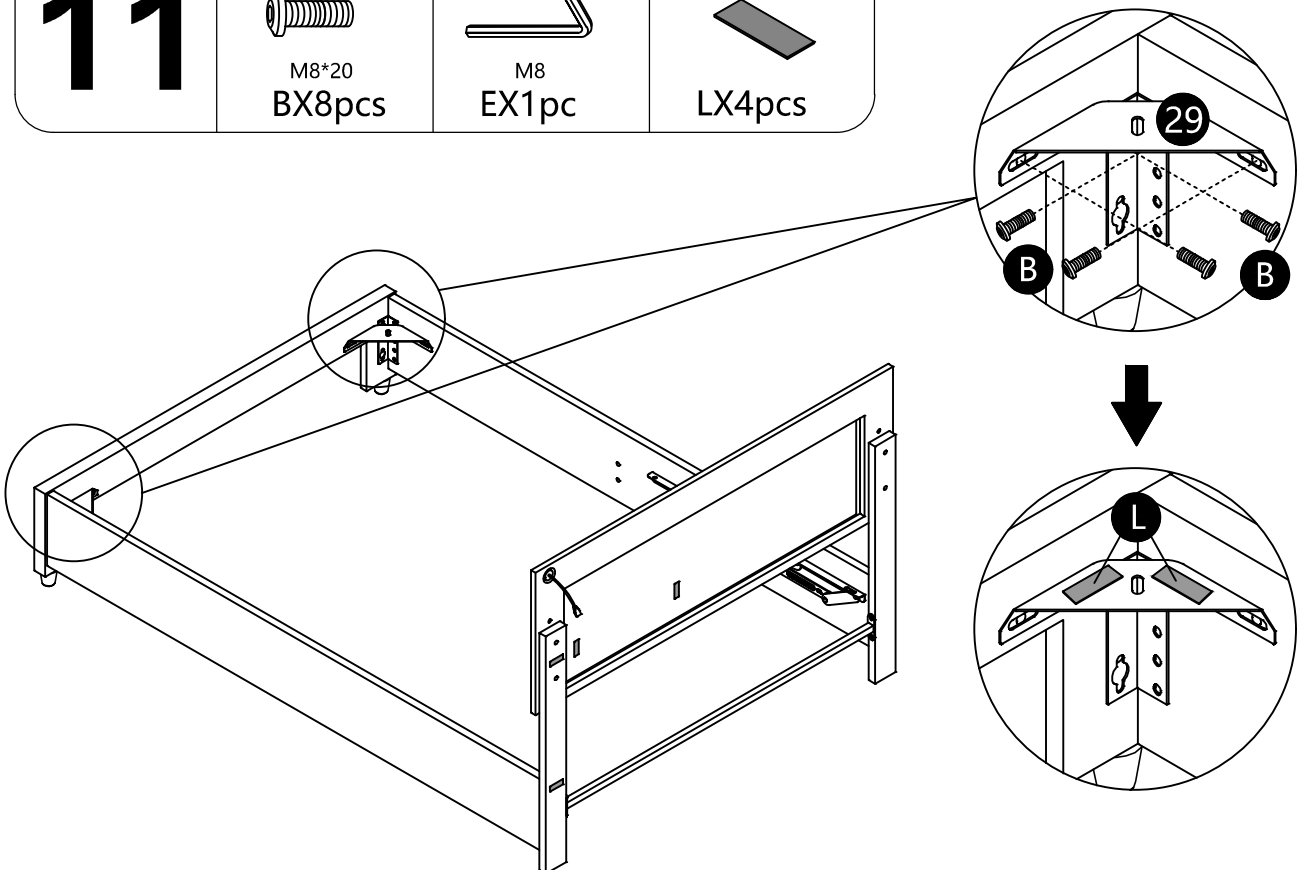
M8*20
BX8pcs



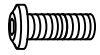
M8
EX1pc



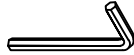
LX4pcs



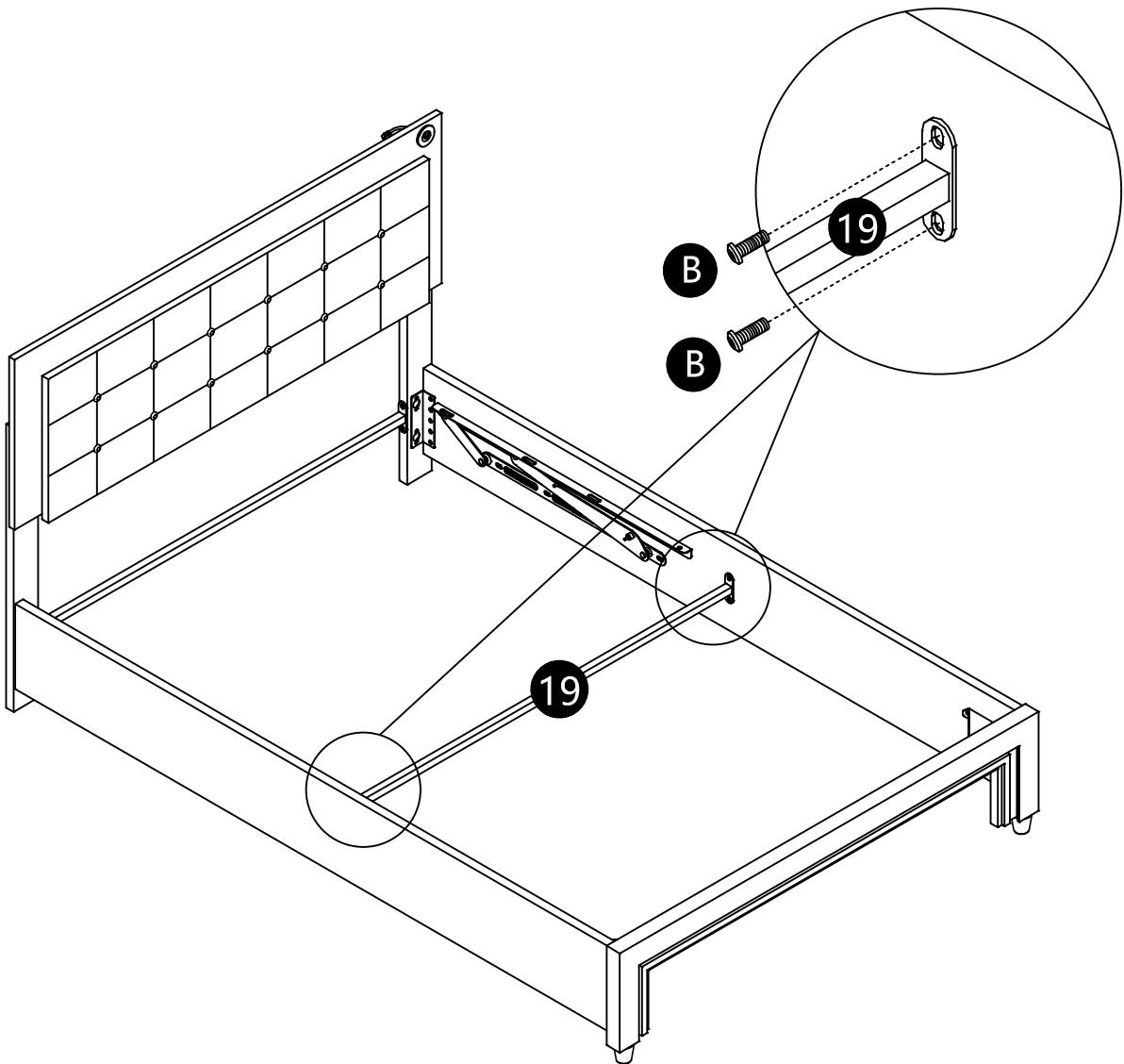
12



M8*20
BX4pcs



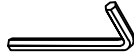
M8
EX1pc



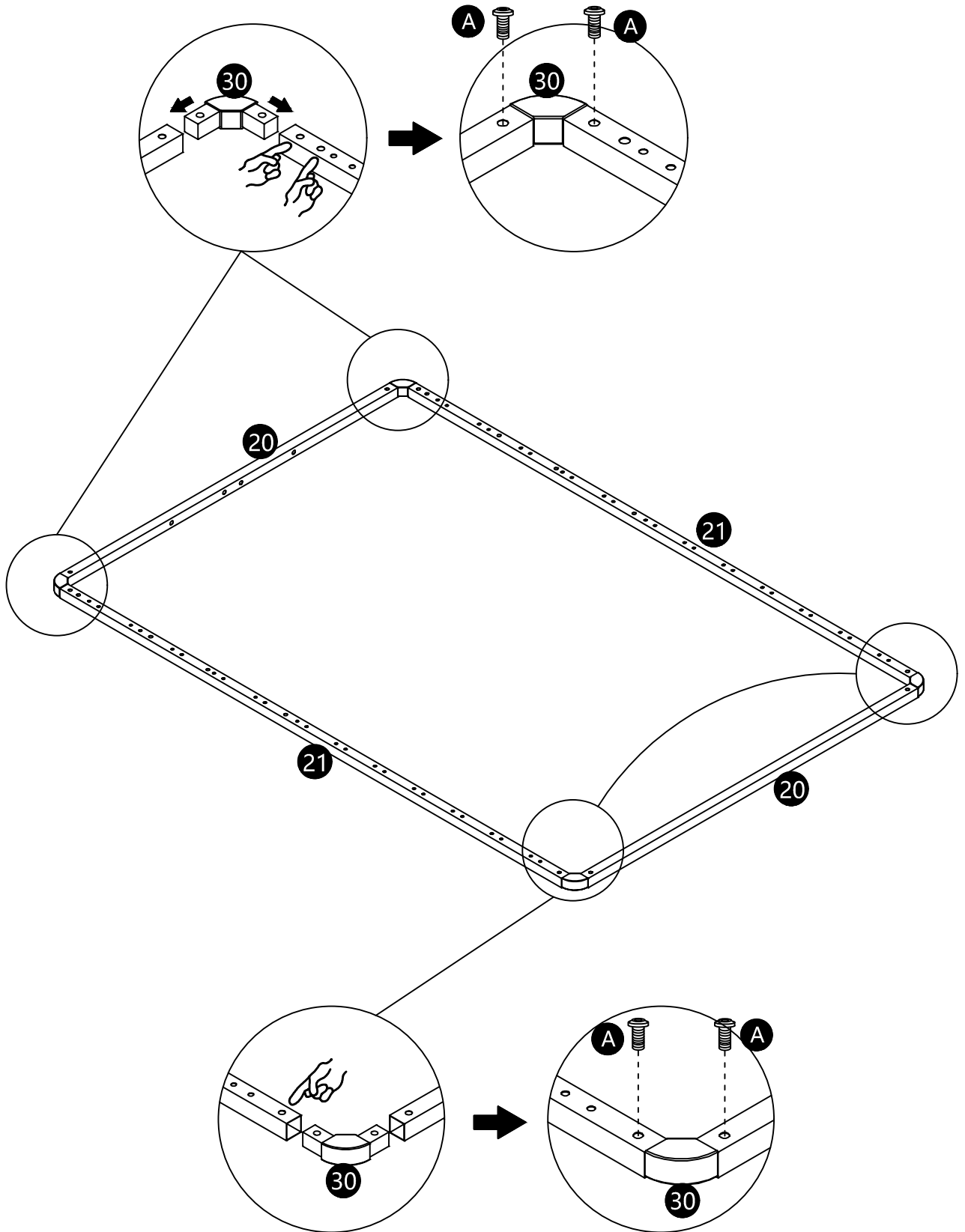
13



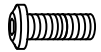
M8*12
AX8pcs



M8
EX1pc



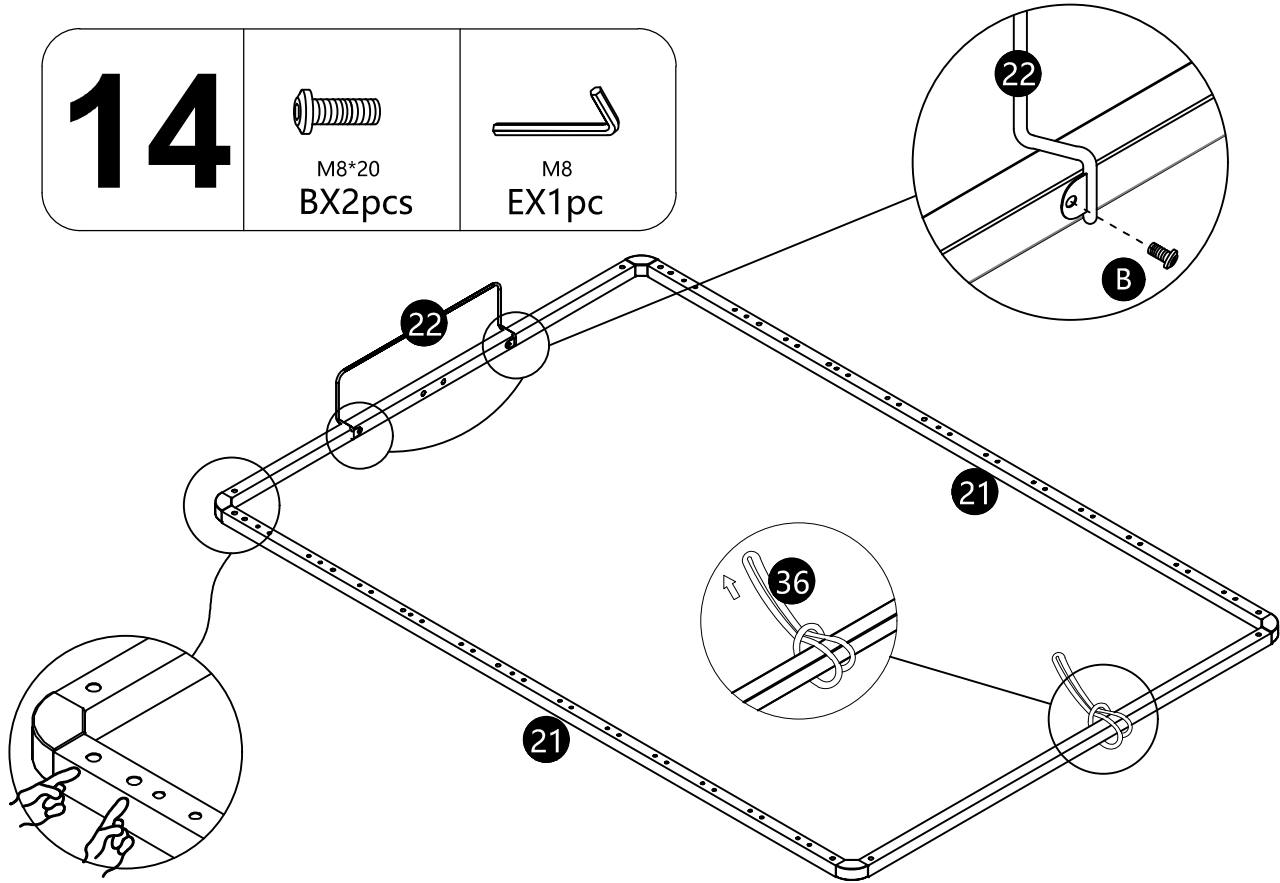
14



M8*20
BX2pcs



M8
EX1pc



15



M8X45
DX8pcs



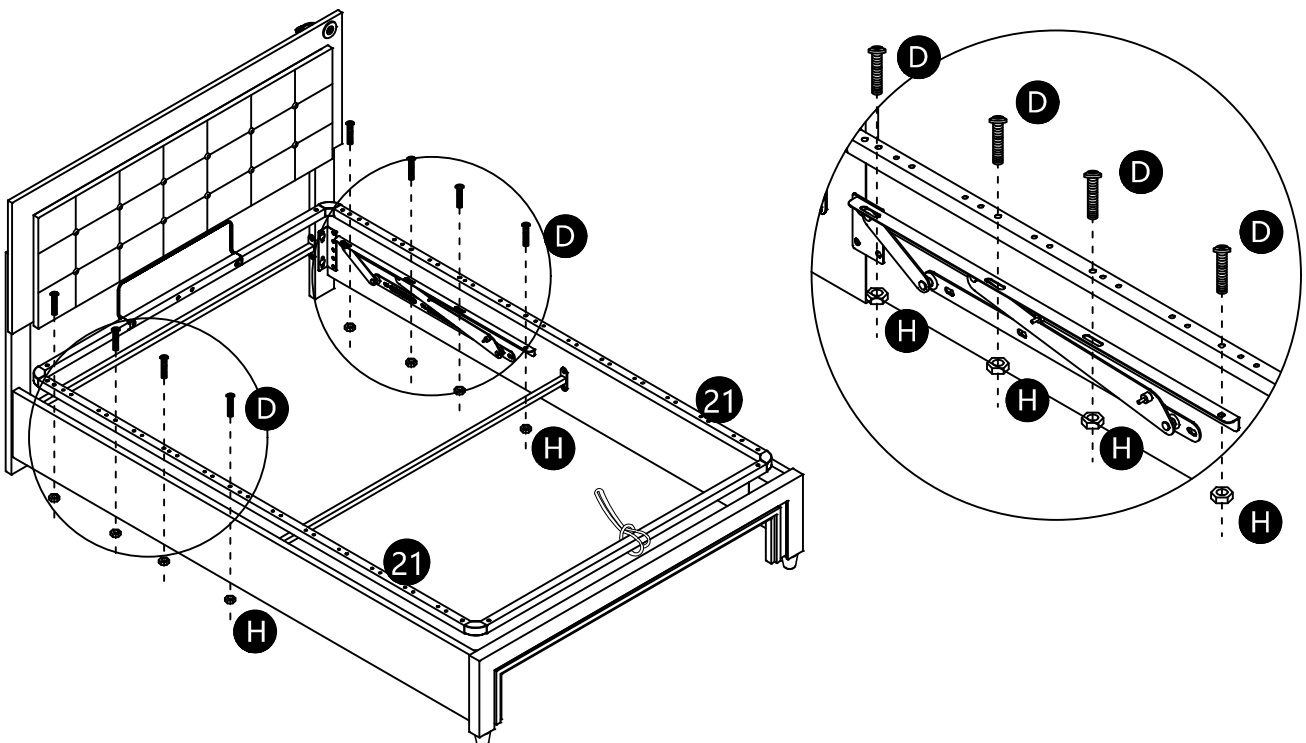
M8
EX1pc



M8
HX8pcs



FX1pc



16



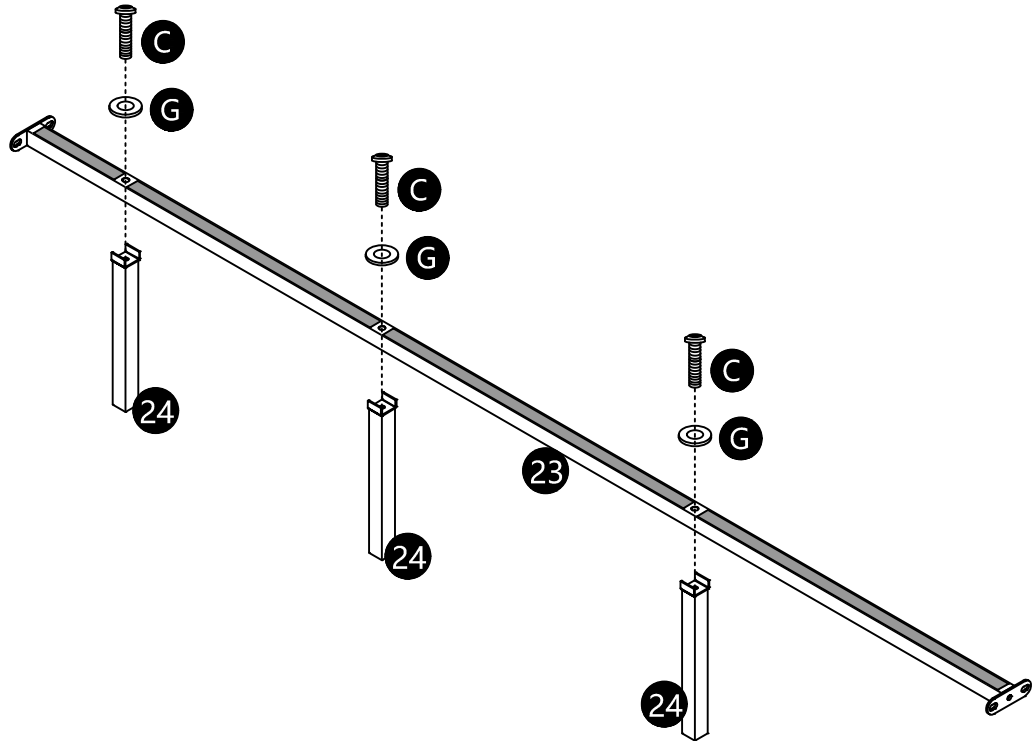
M8*40
CX3pcs



M8*22
GX3pcs



EX1pc



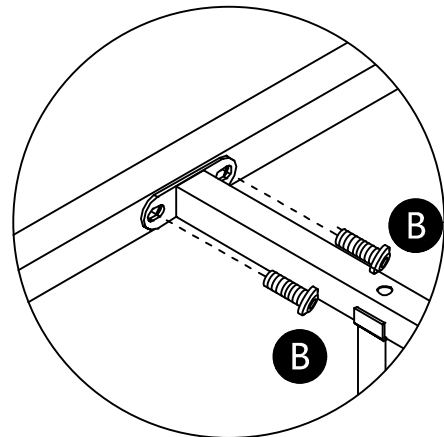
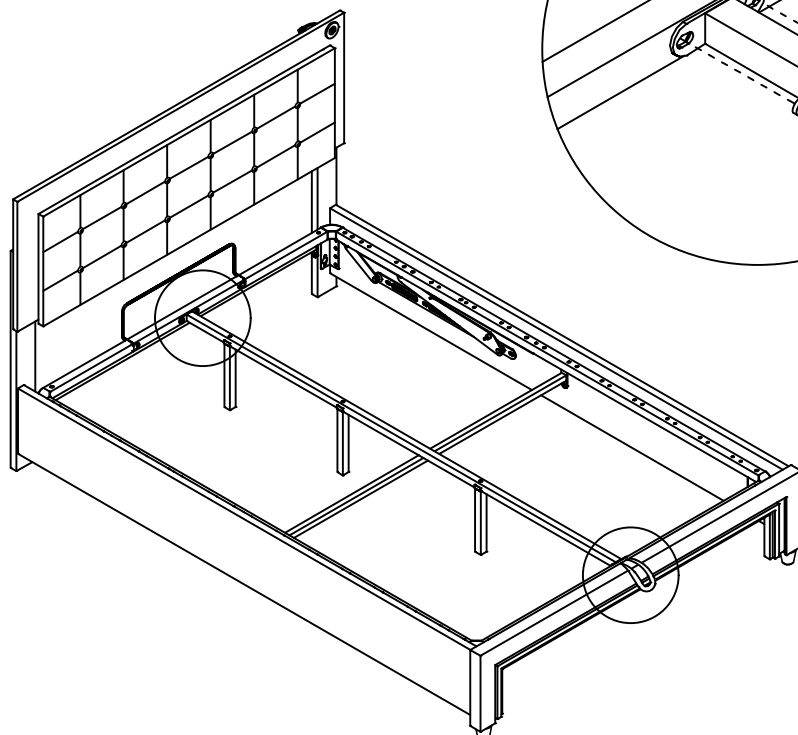
17



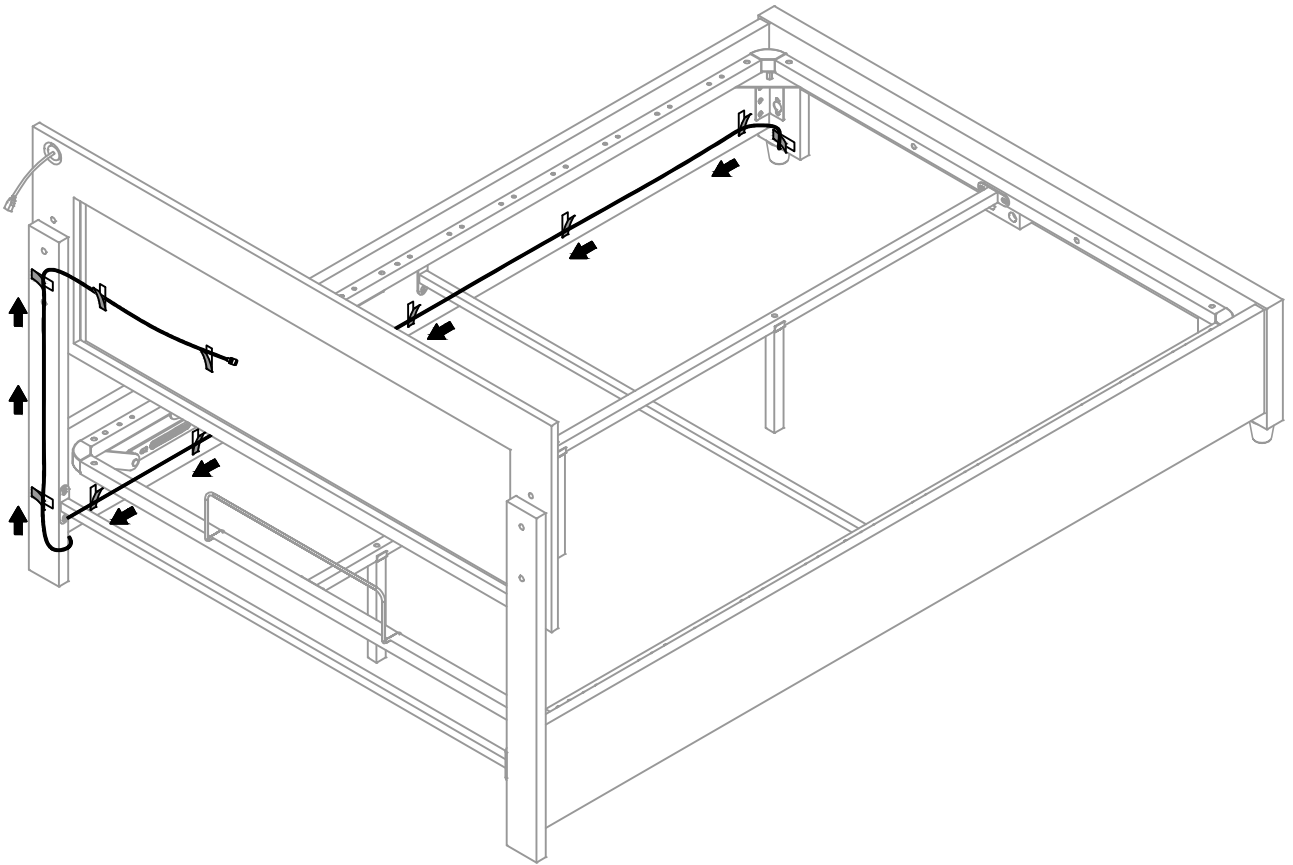
M8*20
BX4pcs



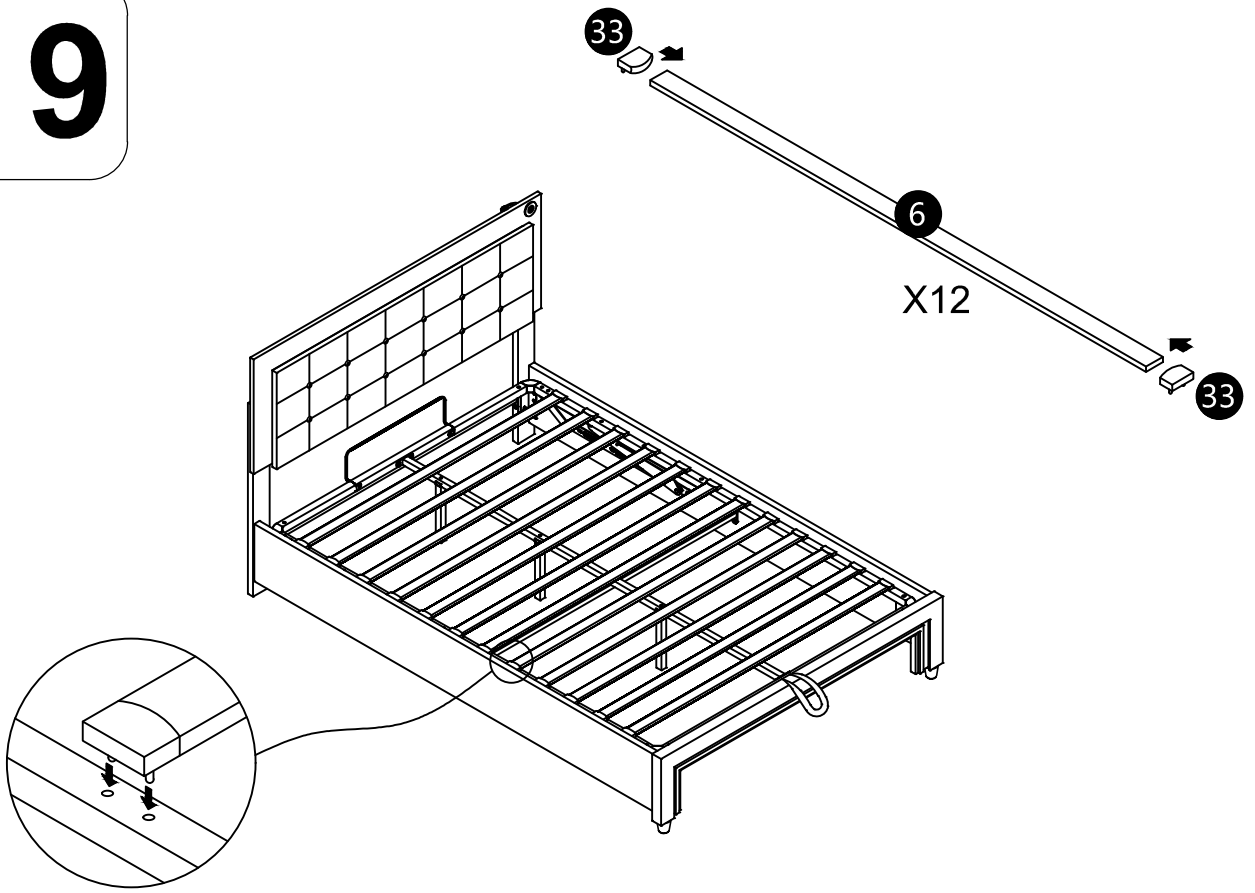
M8
EX1pc





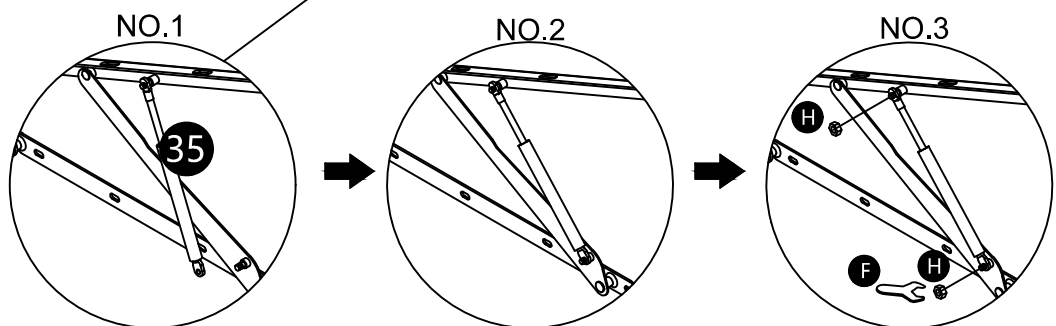
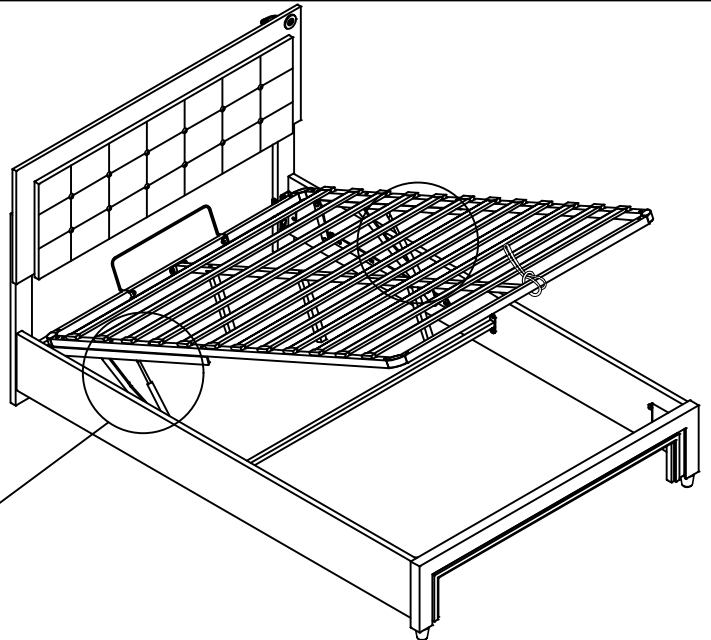
18



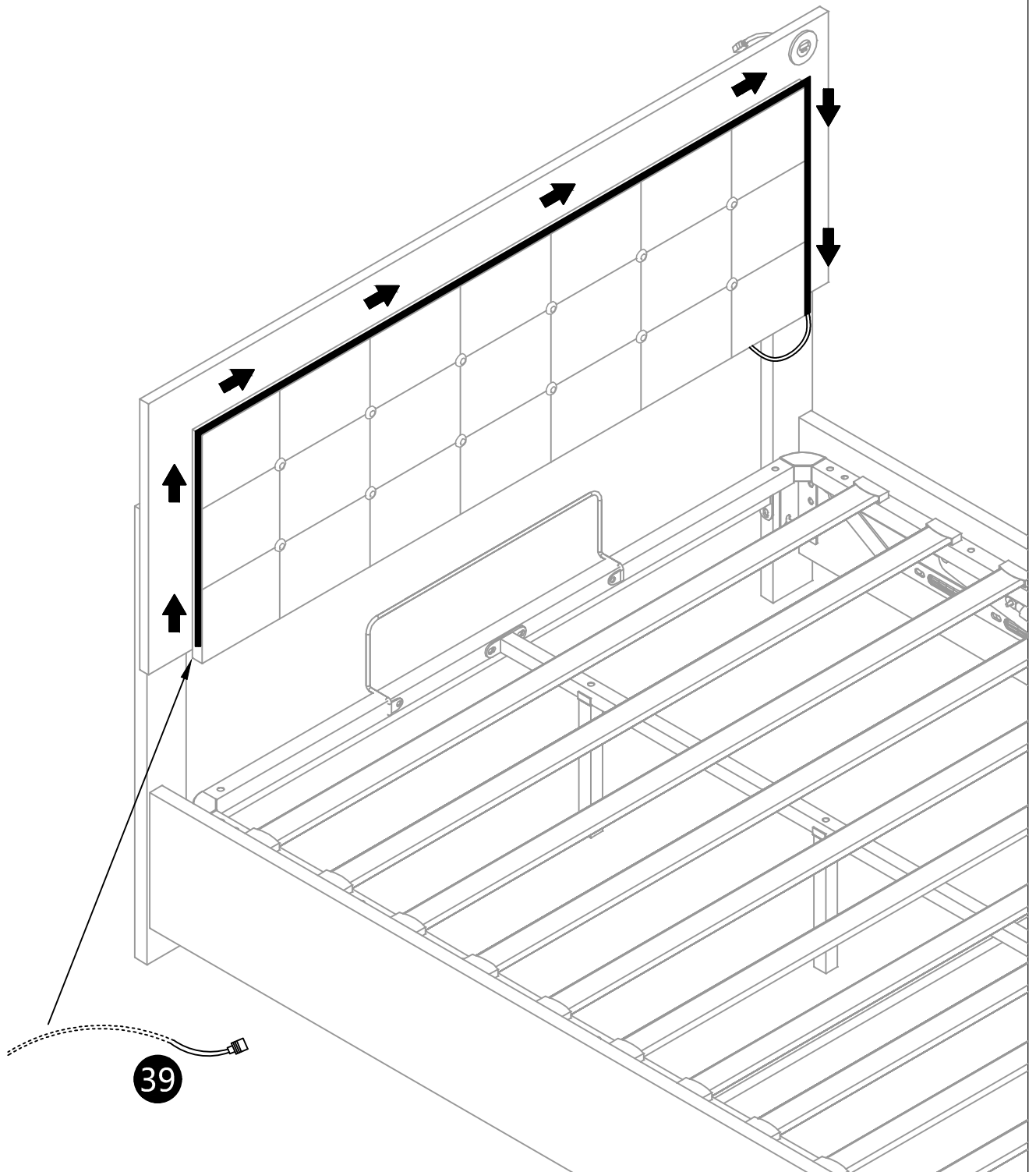
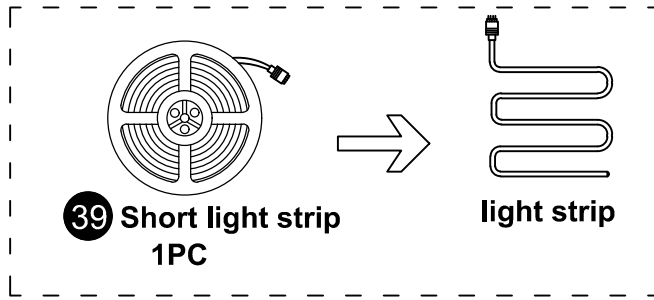
19



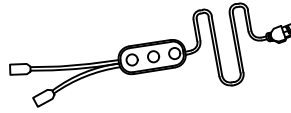
<h1>20</h1>	 <p>M8 HX4pcs</p>	 <p>FX1pc</p>
-------------	--	--



21

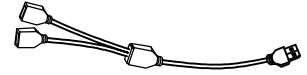


22



Power cord

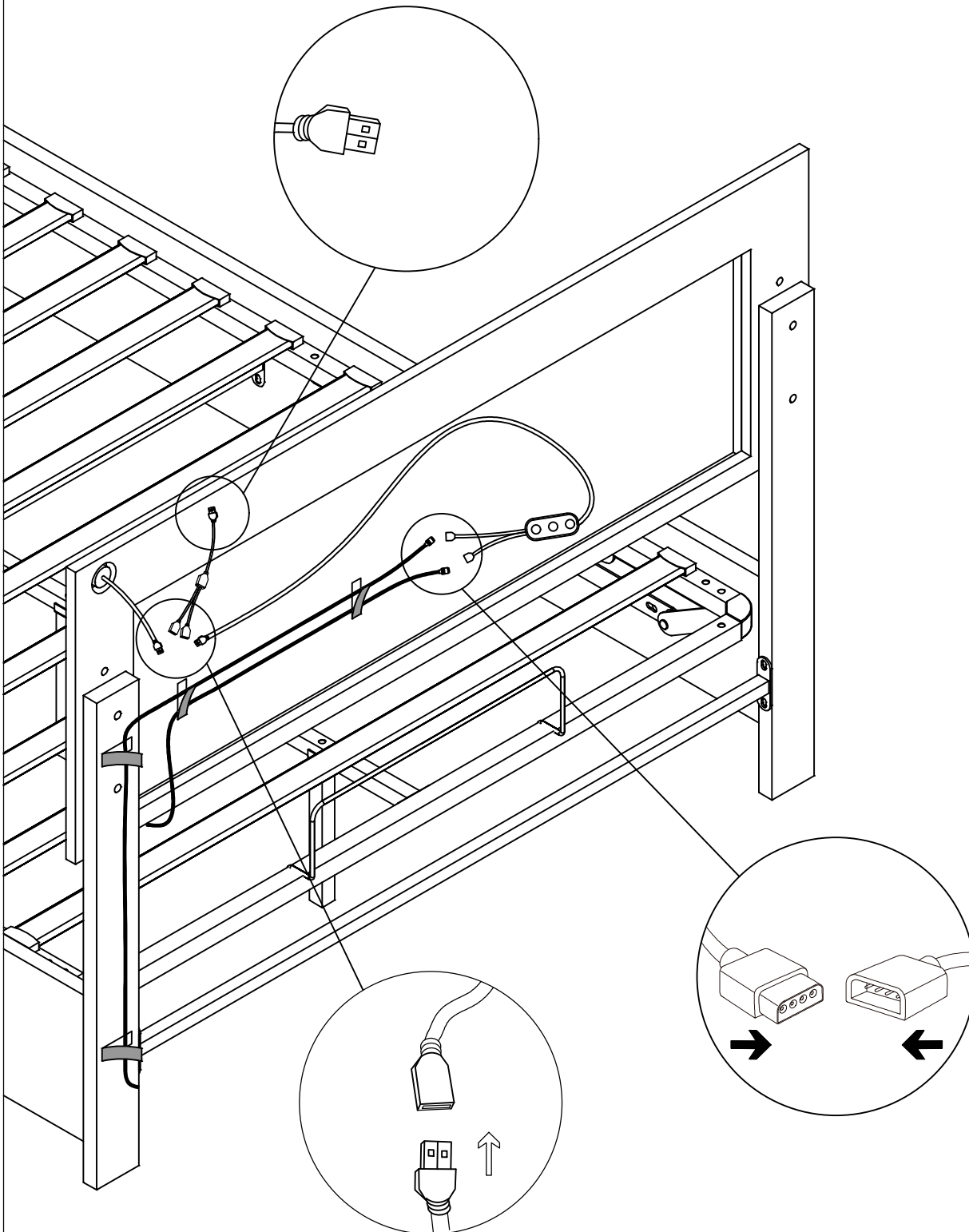
40 1PC



Adapter

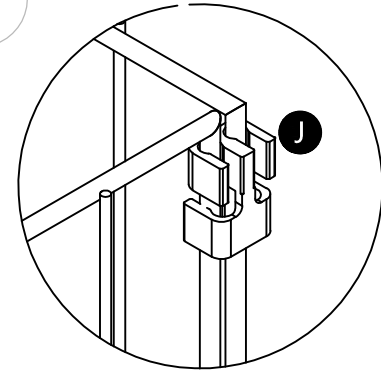
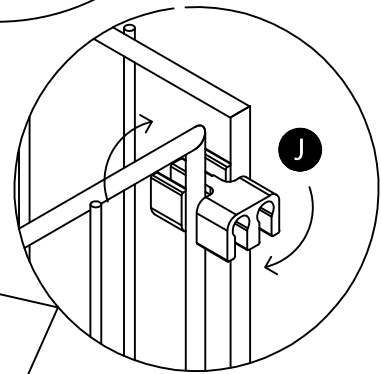
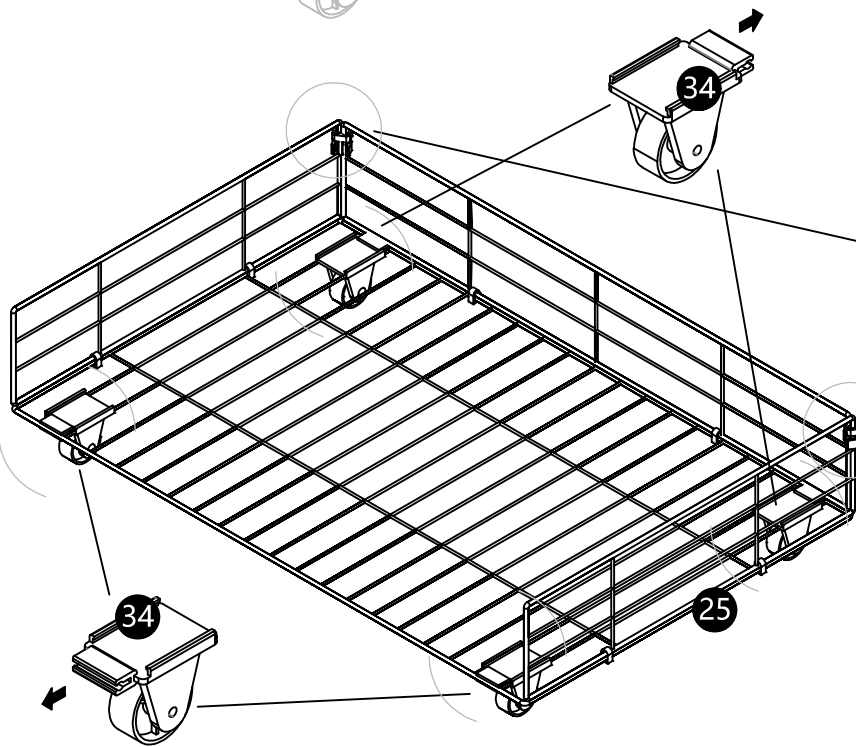
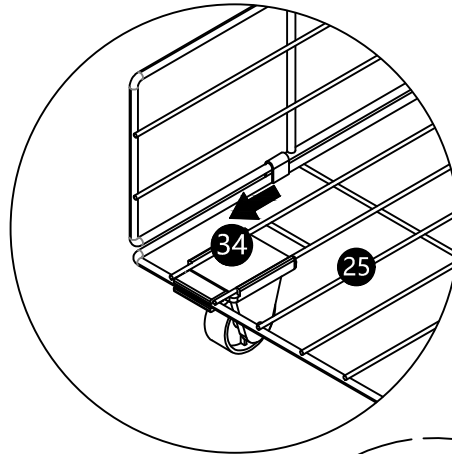
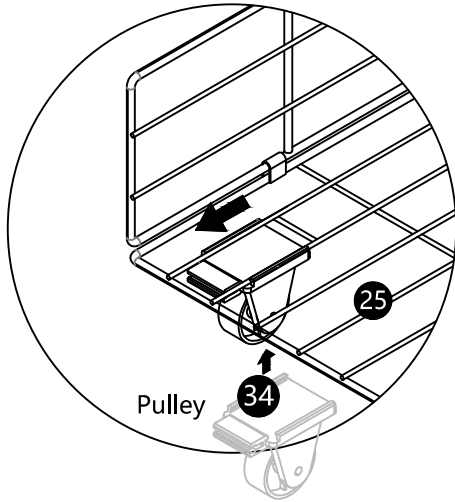
41 1PC

The USB plug needs to be connected to a power source.

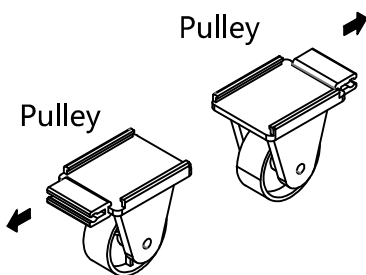


As shown in the figure Clip the pulley into position first

Then push the pulley to the side
At the same time, clamp the iron wire at the edge. It takes a little strength

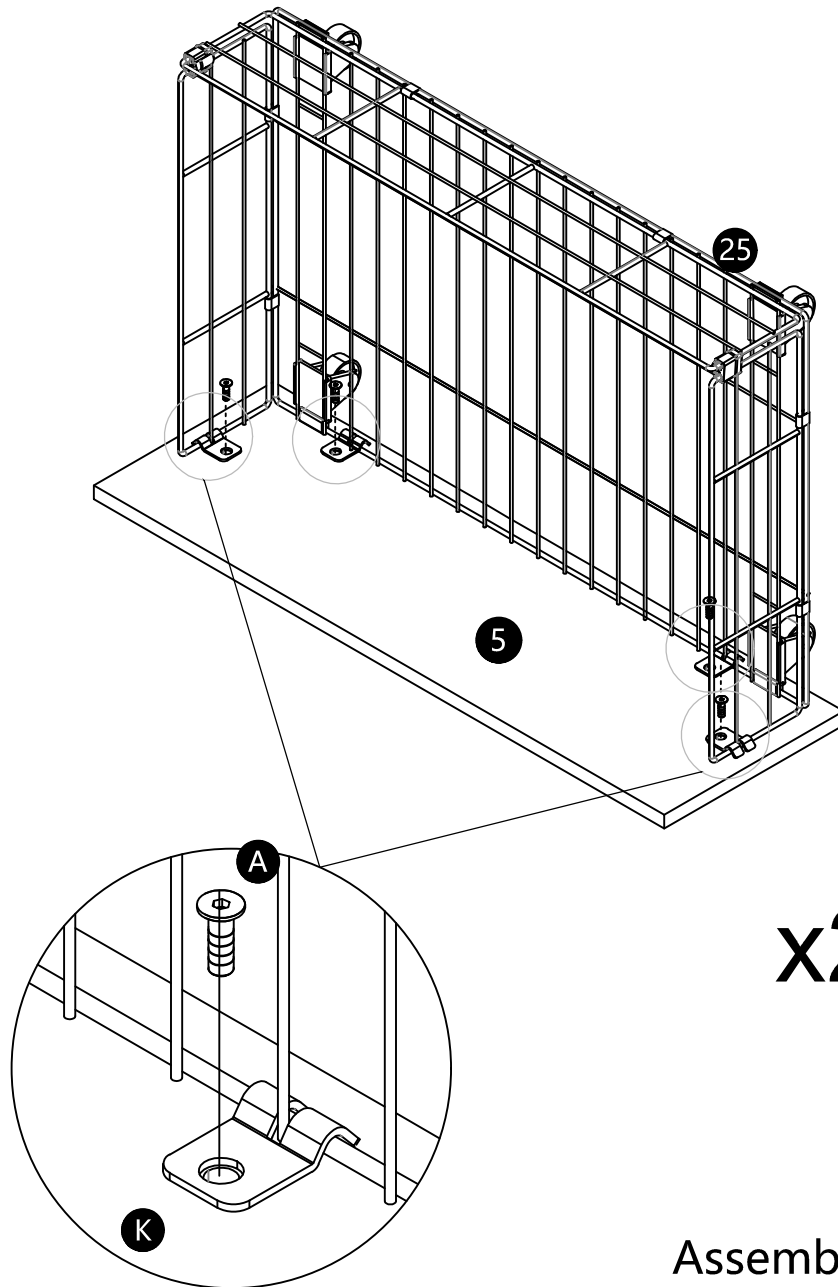


x2

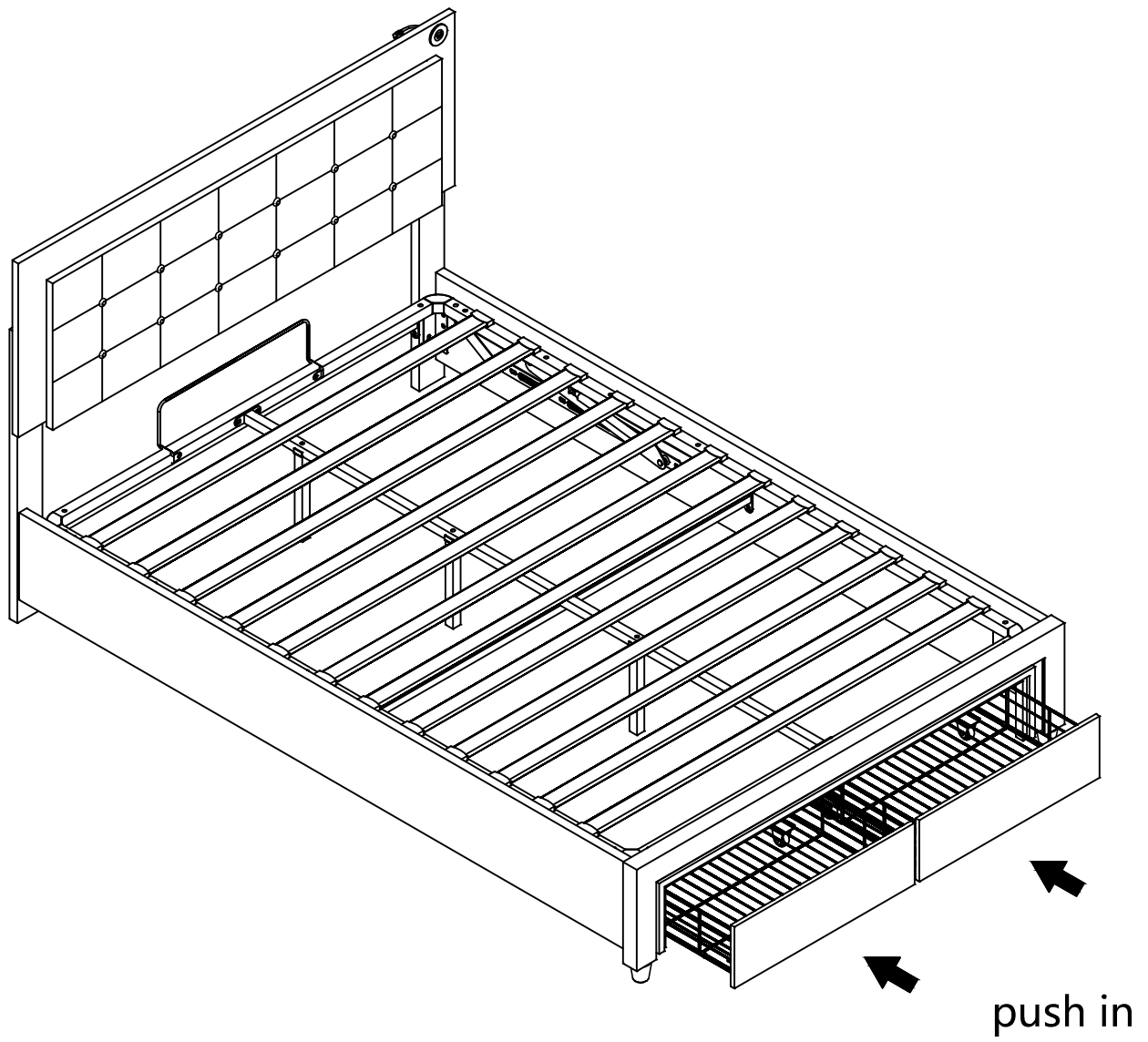


Pay attention to the orientation before clamping in

Please note that this drawer base (25) has front and back sides! Please see the instructions clearly before assembling!!!



Assemble the other
drawer in this way.
2 drawers in total.





Attestation of Compliance

Attestation No. : LCSA11254142E

Approval Holder : Dongguan Yihong Hardware Electronics Co., Ltd

Address : Room 1106, No.2, Shangheng Road, Chang'an Town, Dongguan

Manufacturer : Dongguan Yihong Hardware Electronics Co., Ltd

Address : Room 1106, No.2, Shangheng Road, Chang'an Town, Dongguan

Brand Name : N/A

Product : LED controller

Type/Model Name : YH-6183, YH-252, YH-284, YH-290, YH-287, YH-358, YH-360, YH-6180, YH-6184

H/S Version : HW: /
SW: /

Attestation of the technical design of the radio equipment according to the following essential requirements set out in CHAPTER 1 of the Radio Equipment Regulations 2017: UK Radio Equipment Regulations (S.I. 2017 NO. 1206)

6.1a: Health and Safety Conform

6.1b: Electromagnetic Compatibility Conform

6.2: Effective Use of the Radio Spectrum Conform

CE-marking

UKCA-marking

**UK
CA**

This attestation is issued in accordance with the Directive 2014/53/EU of the European Parliament and of the Council of 16 April 2014 on the harmonisation of the laws of the Member States relating to the making available on the market of radio equipment.

December 16, 2024

Date of issue



Manager



Shenzhen LCS Compliance Testing Laboratory Ltd.
Room 101, 201, Building A and Room 301, Building C, Juji Industrial Park, Yabianxueziwei, Shajing Street,
Bao'an District, Shenzhen, Guangdong, China
Tel: (86)0755-82591330 Fax: (86)0755-82591332
Http://www.lcs-cert.com Email: webmaster@lcs-cert.com

Annex



Applied Standards and Test Reports

Standard	Laboratory	Test Report Number
ETSI EN 301 489-1 V2.2.3 (2019-11) ETSI EN 301 489-17 V3.3.1 (2024-09) EN 55032:2015/A11:2020 EN 55035:2017/A11:2020	Shenzhen LCS Compliance Testing Laboratory Ltd.	LCSA11254142EA
ETSI EN 300 328 V2.2.2 (2019-07)	Shenzhen LCS Compliance Testing Laboratory Ltd.	LCSA11254142EB LCSA11254142EC
EN IEC 62311:2020	Shenzhen LCS Compliance Testing Laboratory Ltd.	LCSA11254142ED
BS EN IEC 62368-1:2020+A11:2020	Shenzhen LCS Compliance Testing Laboratory Ltd.	LCSA11254141S

General Remarks:

1. This conformity assessment is limited to the essential requirements of the RED Directive.
Only products fulfilling all essential requirements of all applicable new approach directives may be placed on the market and put into service.
2. Products in compliance with all provisions of the applicable directives providing for the CE marking must bear this marking.
3. The manufacturer shall take all measures necessary so that the manufacturing process and its monitoring ensure conformity of the manufactured radio equipment with the approved type described in the Attestation of Compliance and with the requirements of Directive 2014/53/EU that apply to it.
4. This device also contains frequency bands that are not operational in EU member states.
Only the frequency bands used in European Union have been assessed for this attestation.
5. The manufacturer shall draw up a written EU declaration of conformity for each radio equipment type and keep it at the disposal of the national authorities for 10 years after the radio equipment has been placed on the market. The EU declaration of conformity shall identify the radio equipment type for which it has been drawn up. A copy of the EU declaration of conformity shall be made available to the relevant authorities upon request.



Shenzhen ZKT Technology Co., Ltd.

1/F, No. 101, Building B, No. 6, Tangwei Community Industrial Avenue,
Fuhai Street, Bao'an District, Shenzhen, China



Certificate of Compliance

Certificate Number: ZKT-250829L21269C

Certificate's Holder	:	Guangdong Zhangong Electric Technology Co., LTD 701, Building 29, zhifuyuan Industrial Zone, Xingtan town, Shunde District, Foshan City, Guangdong Province
Manufacturer	:	Guangdong Zhangong Electric Technology Co., LTD 701, Building 29, zhifuyuan Industrial Zone, Xingtan town, Shunde District, Foshan City, Guangdong Province
Trade Mark	:	/
Product	:	Furniture socket
Model(s)	:	ZG-USB-5A ZG-JJY-1UK to-8UK
Test Standard	:	BS EN 55032:2015 + A11:2020 BS EN 55035:2017 + A11:2020 BS EN IEC 61000-3-2:2019+A2:2024 BS EN 61000-3-3:2013+A2:2021

This certificate of compliance is issued according to the UK legislation: Electromagnetic Compatibility Regulations 2016(S.I. 2016/1091), Referred to as the UK Electromagnetic Compatibility. It confirms that the listed product complies with all essential requirements of the Electromagnetic Compatibility Regulations 2016 and applies only to the sample and its technical documentation submitted to Guangdong Shenzhen ZKT Technology Co., Ltd.(ZKT) for testing. It is only valid in connection with the test report number: ZKT-250829L21269E. So ZKT here by acknowledges that the Manufacturer may issue a COC apply the UKCA marketing in according with United Kingdom Union Rules. After preparation of the necessary technical documentation (Which must be kept for up to 10 years after the product is placed on the GB market as well as the UK declaration of conformity, the required UKCA marking can be affixed on the product. Other relevant Regulations have to be observed.

**UK
CA**



This Certificate of Conformity is based on single evaluation of the submitted sample(s) of the above mentioned product. It does not imply an assessment of the whole product and relevant Directives to be observed.

Attestation of Compliance

Declaration No.:	MK23110141P01-E01
Name and address of Applicant:	Shenzhen Hongzhengyu Technology Co., LTD Shenzhen baoan district rock street industrial science and technology industrial park of 2 Haitian lanyu 3 5 floor of A
Name and address of Manufacturer:	Shenzhen Hongzhengyu Technology Co., LTD Shenzhen baoan district rock street industrial science and technology industrial park of 2 Haitian lanyu 3 5 floor of A
Product name:	RGB package
Rated:	DC5V
Product model(s):	HZY-5050RGB-30D-90R-DC5V, HZY-5050RGB-30D-30R-DC5V, HZY-5050RGB-60D-60R-DC5V, HZY-5050RGB-60D-180R-DC5V, HZY-5050RGB-18D-18R-DC5V
Product trademark:	N/A

This Attestation of Compliance confirms that the product meets the requirements of the following standard.

BS EN IEC 55015:2019+A11:2020
 IEC 61547:2020
 BS EN IEC 61000-3-2:2019
 BS EN 61000-3-3:2013/A2:2021

The Attestation of Compliance has been carried out in accordance with individual rules and conditions agreed with the applicant. Evaluation has been carried out in accordance with:

Test report(s) No.:	MK23110141P01-E01
Test conducted by:	TMC Testing Services (Shenzhen) Co., Ltd.
Declaration issue date:	December 5, 2023

Notes:

This Attestation of Compliance is issued according to the Great Britain legislation Electromagnetic Compatibility Regulations 2016(SI 2016 No. 1091). It confirms that the listed products complies with all essential requirements of the Regulations and applies only to the sample and its technical documentation to TMC Testing Services (Shenzhen) Co., Ltd. for testing.

After preparation of the necessary technical documentation (which must be kept for up 10 years after the product is placed on the GB market) as well as the UK Declaration of Conformity, the required UKCA marking can be affixed on the product. Other relevant Regulations have to be observed.

TMC Testing Services (Shenzhen) Co., Ltd.

t:86-755-86642861 cert@tmc-lab.com www.tmc-lab.com

1st Floor, Block A1, Zone A, Xinshidai Gongrong Industrial Park, No. 2, Shihuan Road, Shiyuan Street, Baoan District, Shenzhen, China



Lab Director
 Vivian Jiang

**UK
 CA**

**UK
CA**



Importer	COMHARBOR LIMITED		
Add	Unit C,Swit Point,Cosford Lane,Rugby,CV211PY,GB		
Email/URL	harborcomhar@gmail.com		
Manufacturer	Dongguan Yihong Hardware Electronics Co.. Ltd		
Add	Room 1106.No.2,Shangheng Road, Chang an Town		
Email/URL	414564409@qq.com		
Product identification	202508		
Made in	China		
Produt Name: LED Controller Model:YH-252			
Rated voltage: 5 V Rated frequency:50/60Hz Power:15W			
<table border="1"><tr><td>UK</td><td>REP</td></tr></table>	UK	REP	COMHARBOR LIMITED Unit C,Swit Point,Cosford Lane,Rugby,CV211PY,GB harborcomhar@gmail.com
UK	REP		

**UK
CA**



Importer	COMHARBOR LIMITED		
Add	Unit C,Swit Point,Cosford Lane,Rugby,CV211PY,GB		
Email/URL	harborcomhar@gmail.com		
Manufacturer	Foshan Xinwang Intelligent Technology Co., Ltd.		
Add	The fifth floor of Building 3, Haitian Lanyu Science and Technology Industrial Park, No. 5, Industrial 2nd Road, Shilongzi Community, Shiyan Street, Bao'an District, Shenzhen		
Email/URL	610488898@qq.com		
Product identification	202508		
Made in	China		
Produt Name: LED soft light strip Model:HZY-5050RGB-60D-5V			
Rated voltage: 5 V Rated frequency:50/60Hz Power:4.5W/M			
<table border="1"><tr><td>UK</td><td>REP</td></tr></table>	UK	REP	COMHARBOR LIMITED Unit C,Swit Point,Cosford Lane,Rugby,CV211PY,GB harborcomhar@gmail.com
UK	REP		

**UK
CA**



Importer	COMHARBOR LIMITED		
Add	Unit C,Swit Point,Cosford Lane,Rugby,CV211PY,GB		
Email/URL	harborcomhar@gmail.com		
Manufacturer	Guangdong Zhangong Eledtrical Technology Co. LTD		
Add	701,Building 29, hifu Garden, Xingtan Town, ShundeDistrict, Foshan City		
Email/URL	info@waltek.com.cn		
Product identification	202508		
Made in	China		
<table border="1"><tr><td>UK</td><td>REP</td></tr></table>	UK	REP	COMHARBOR LIMITED Unit C,Swit Point,Cosford Lane,Rugby,CV211PY,GB harborcomhar@gmail.com
UK	REP		