



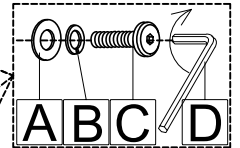
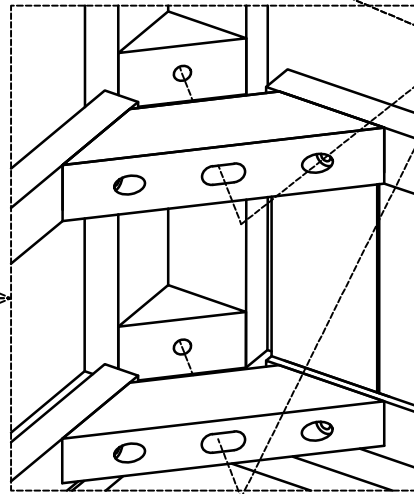
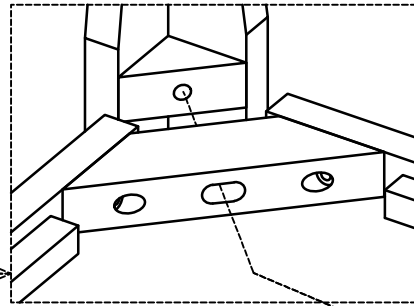
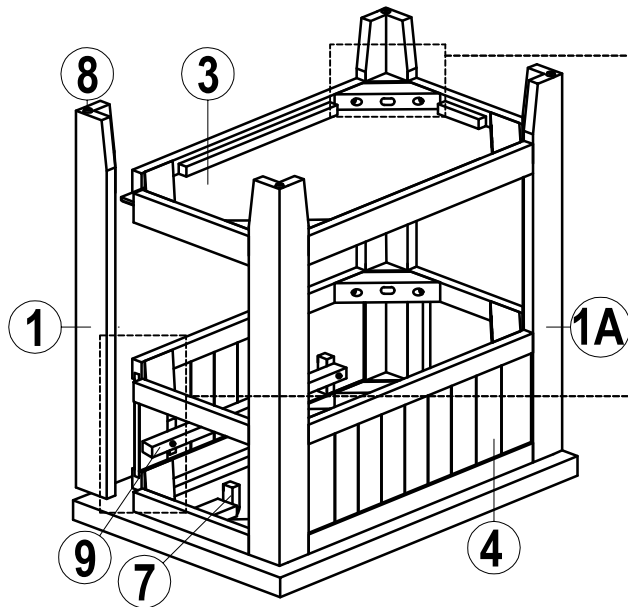


ASSEMBLY INSTRUCTIONS & PARTS IDENTIFICATION

CANNON VALLEY CHAIRSIDE TABLE

Thank you for purchasing this quality product. Be sure to check all packing material carefully for small parts that may have come loose inside the carton during shipment.

Parts key				Hardware kit				
No	Code	Qty	Description	No	Description			Qty
1		2 pcs	Right Side Facing Leg	A		Flat washer	M8 x 18	12 pcs
1A		2 pcs	Left Side Facing Leg	B		Lock washer	M8	12 pcs
2		1 pc	Drawer Complete	C		Bolt	M6 x 60	12 pcs
3		1 pc	Shelf	D		Allen Key	K4	1 pc
4		1 pc	Storage Box					
5		1 pc	Pull w/Screw					
6		1 pc	Metal plate w/Screws					
7		1 pc	Drawer stop					
8		4 pcs	Floor Glide					
9		2 pcs	Drawer Glide					



x 12

