



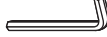


Examine all packaging material for small parts that may have come loose during shipment. Periodic checks are recommended to insure that all components are in proper position, tight and free from damage. Keep this assembly instruction for future reference. Adult assembly is required.

| CODE | QTY | HARDWARE          |   |
|------|-----|-------------------|---|
| A    | 4   | Butterfly Bolts   |  |
| B    | 4   | M8*40 Bolts       |  |
| C    | 8   | O8 Spring Washers |  |
| D    | 8   | O8 Flat Washers   |  |
| E    | 1   | Allen Wrench      |  |

| CODE | QTY | COMPONENTS | CODE | QTY | COMPONENTS |
|------|-----|------------|------|-----|------------|
| 1    | 1   | Headboard  | 2    | 2   | Legs       |

## ⚠ WARNING

- Do not let any sharp objects touch or rub the surface of the product.
- When assembling, do not let children play around the working area.
- Please confirm all parts are correct before starting the assembly process.
- Do not tighten all bolts and screws completely until the entire unit has been assembled and set up.
- Be careful if using power tools as they can over tighten screws and strip threads.

### STEP 1 - Figure 1

Begin assembly by attaching Legs (2) to Headboard (1) using 2 Butterfly Bolts (A), 2 Spring Washers (C) and 2 Flat Washers (D) per side.

### STEP 2 - Figure 2

Next attach side rails (sold separately) onto Legs (2) using 2 Bolts (B), 2 Spring Washers (C) and 2 Flat Washers (D) per side. Tighten all bolts with Allen Wrench (E) provided.

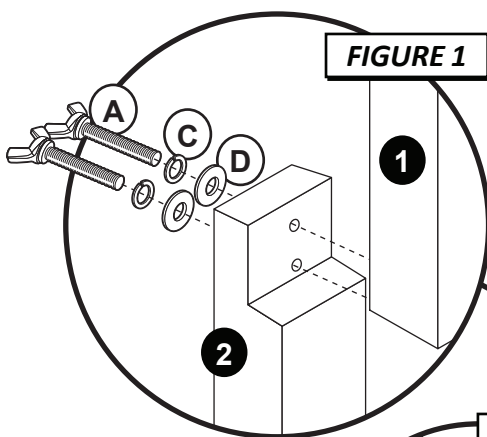


FIGURE 1

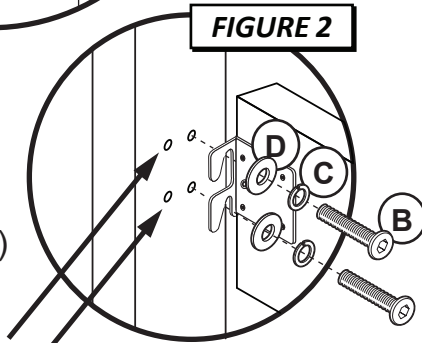


FIGURE 2

Side Rails  
(Sold Separately)

Holes for  
Metal Frame

The Bed Frame \* is not included. Sold separately.

