

CARE AND MAINTENANCE

Store outdoor furniture indoors or cover well when not in use.

Remove wooden furniture from standing water. Dust regularly with small brush or vacuum

Spills should be taken care of immediately before they harden or stain with a slightly dampened sponge.

NOTICE

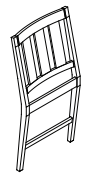
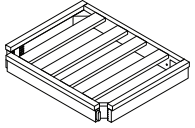
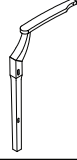
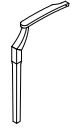


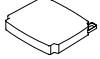
- * Please make sure that you have all parts indicated before you begin assembly of this item
- * This item should be assembled on a soft surface to prevent scratching the finish during assembly
- * This item may require periodic tightening



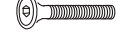


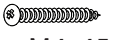

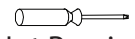
Warning : Do not stand on chair

Warning : Do not over torque bolts / screws

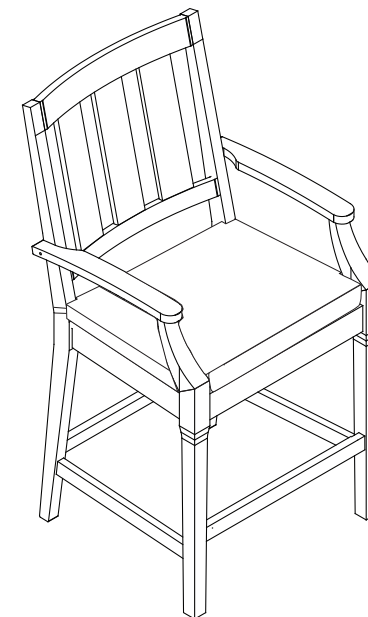


Part List and Hardware List

PIECE	DESCRIPTION	PICTURE	QUANTITY
A	Frame back		1X
B	Frame Seat		1X
C	Frame Leg 1		1X
D	Frame Leg 2		1X
E	Side Rail		2X
F	legconnection		1X
G	Cushion seat		1X

PIECE	DESCRIPTION	PICTURE	QUANTITY
I	Bolt M8x85		4X
K	Bolt M8x60		4X
L	Bolt M8x40		2X
M	Bolt M6x50		2X
N	Washer M8.5/20X20		10X
O	Screws M4x45		6X
P	Allen key LG4		1X
Q	Screw Driver Not Provided		1X

Model# CPT1020



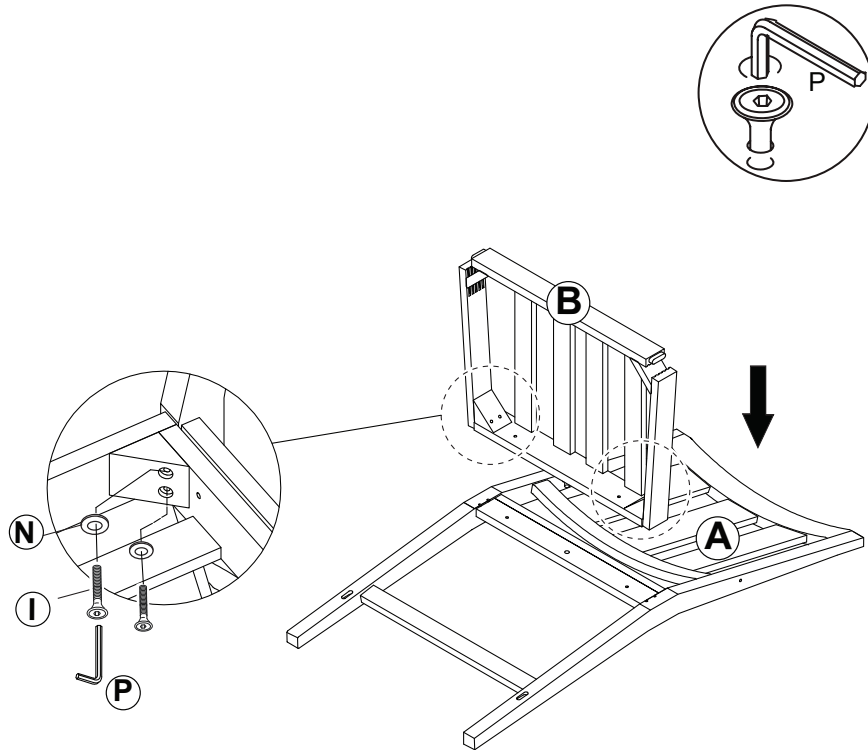
PREPARATION

Before beginning assembly of product, make sure all parts are present. Compare parts with package contents list and hardware contents list. If any part is missing or damaged, do not attempt to assemble the product.

Estimated Assembly Time: 10 minutes.

Tools Required for Assembly (included): Allen Key

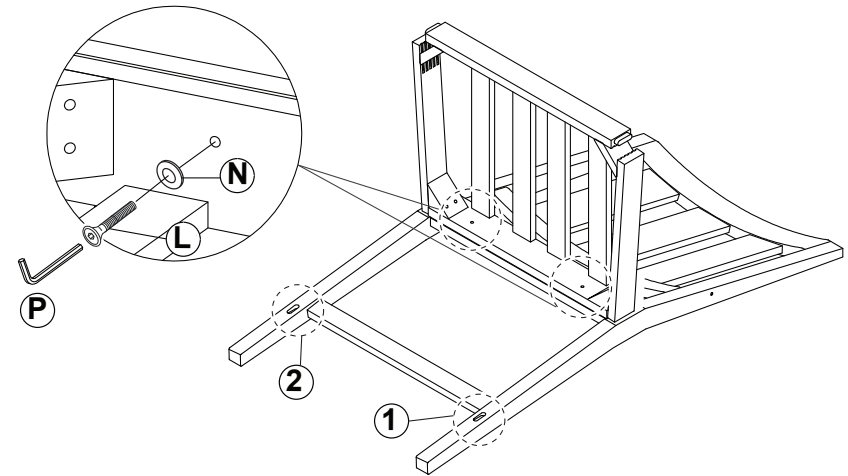
1



Step 1

Attach leg frame (A) to Frame Table (B), use Bolt (I) and Washer (N), tighten with allen key (P).

2



Step 2

Use Bolt (L) and Washer (N), tighten with allen key (P).

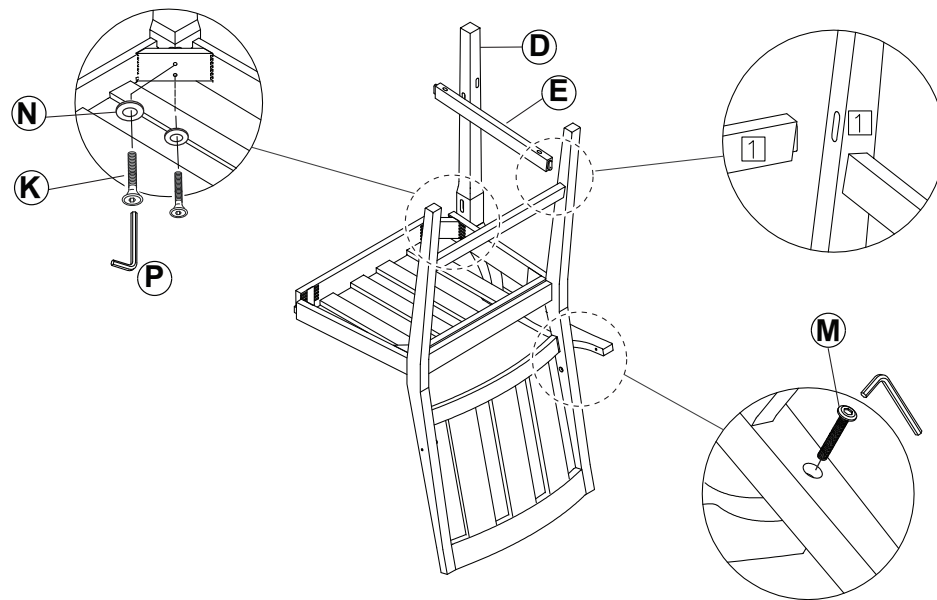
PREPARATION

Before beginning assembly of product, make sure all parts are present. Compare parts with package contents list and hardware contents list. If any part is missing or damaged, do not attempt to assemble the product.

Estimated Assembly Time: 10 minutes.

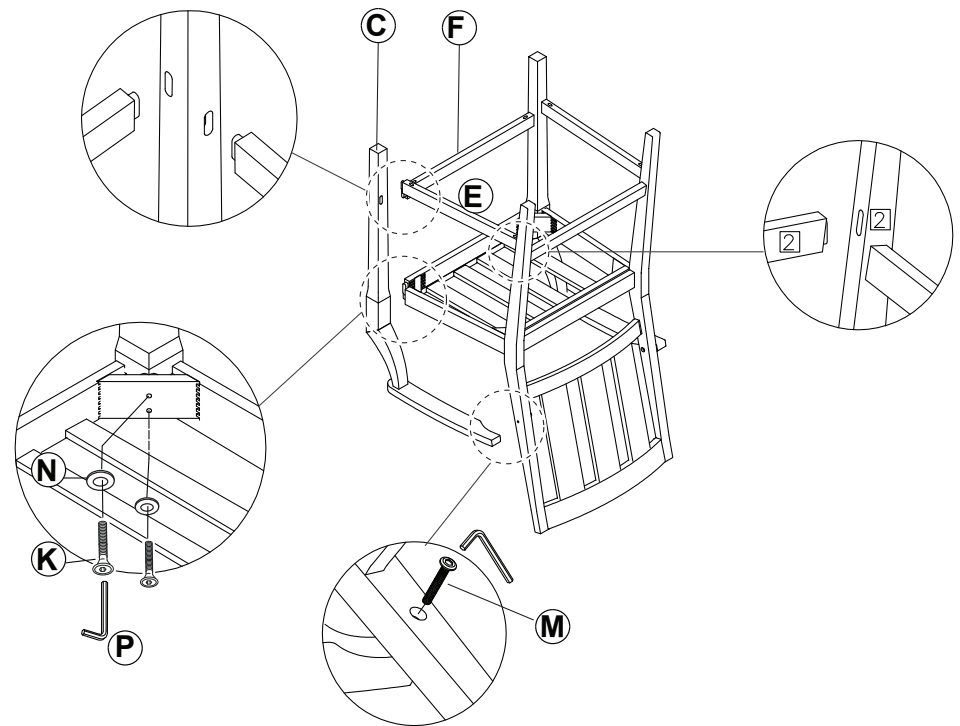
Tools Required for Assembly (included): Allen Key

3



Step 3 Attach leg (D) to Frame Seat (B), use Bolt (K) and Washer (N), tighten with allen key (P).
Then, place (E) into the housing of the Hind leg of the Chair Back(A) and Front Leg (D)
Attach Front Leg (D) and Chair back (A) use Bolt(M) tighten with allen key (P)

4



Step 4 Attach leg (C) to Frame Seat (B), use Bolt (K) and Washer (N), tighten with allen key (P).
Then, place Side Rail (E) into the housing of the Hind leg of the Chair Back(A) and Front Leg (C)
Attach leg connection (F) into the housing of the Front legs(C),(D)
Attach Front Leg (C) and Chair back (A) use Bolt(M) tighten with allen key (P)

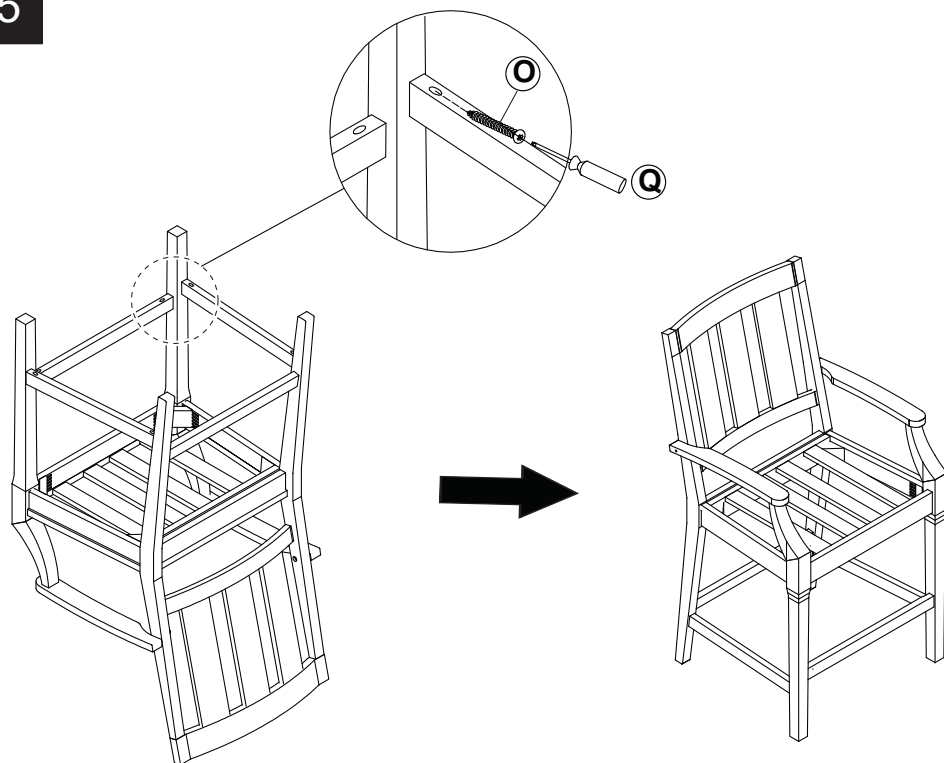
PREPARATION

Before beginning assembly of product, make sure all parts are present. Compare parts with package contents list and hardware contents list. If any part is missing or damaged, do not attempt to assemble the product.

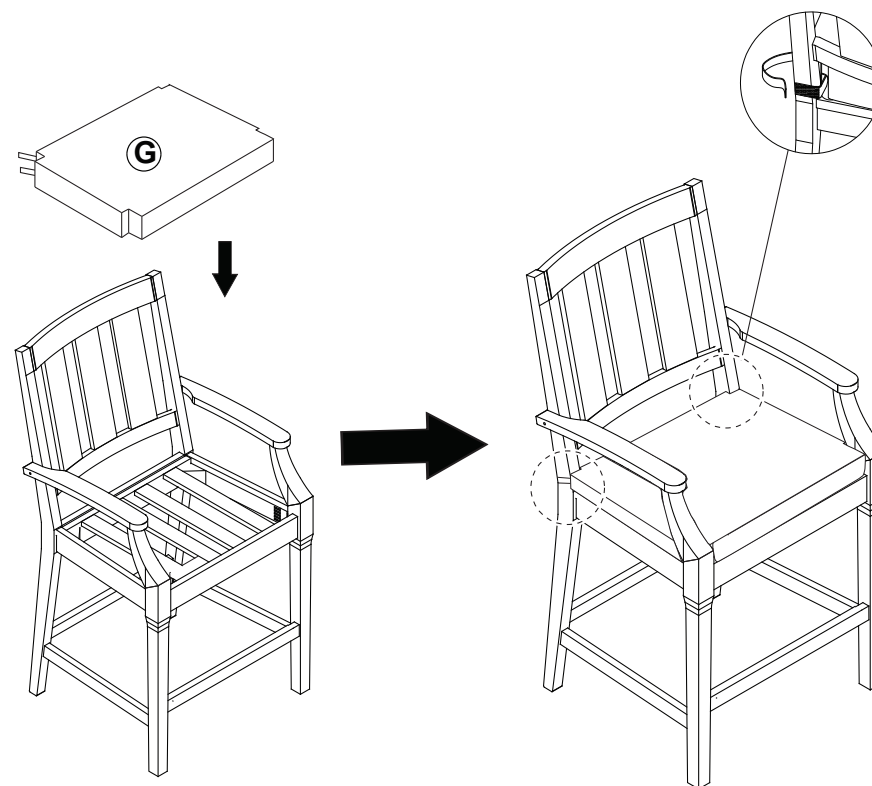
Estimated Assembly Time: 10 minutes.

Tools Required for Assembly (included): Allen Key

5



6



Step 5

Secure the Leg Connection(F) to Front Legs (C),(D) and Side Rail (E) to Chair Back(A) and Front Leg (C) by using Screw(O) and Screwdriver(Q).

Step 6

Attach cushion in chair and Complete.