

Bathroom Vanity

**Notice:**

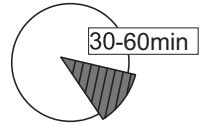
1. Follow the installation instructions. Please confirm all accessories are preset before installation.
2. Do not fully tighten the screws during initial assembly. Fully tighten screws only once all pieces which are correctly assembled.
3. If you encounter any problems during installation, please contact our customer service.
4. Please unbox the item from the side with an open-label and put a carpet on the floor to avoid scratching it.



Recommended installers : 2



Put a carpet on the floor before unpacking

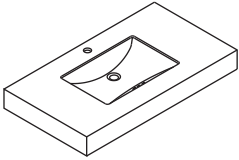

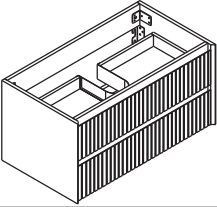
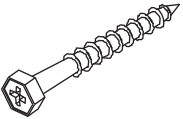
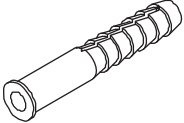
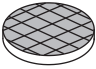


Estimate installation time:  
30 minutes

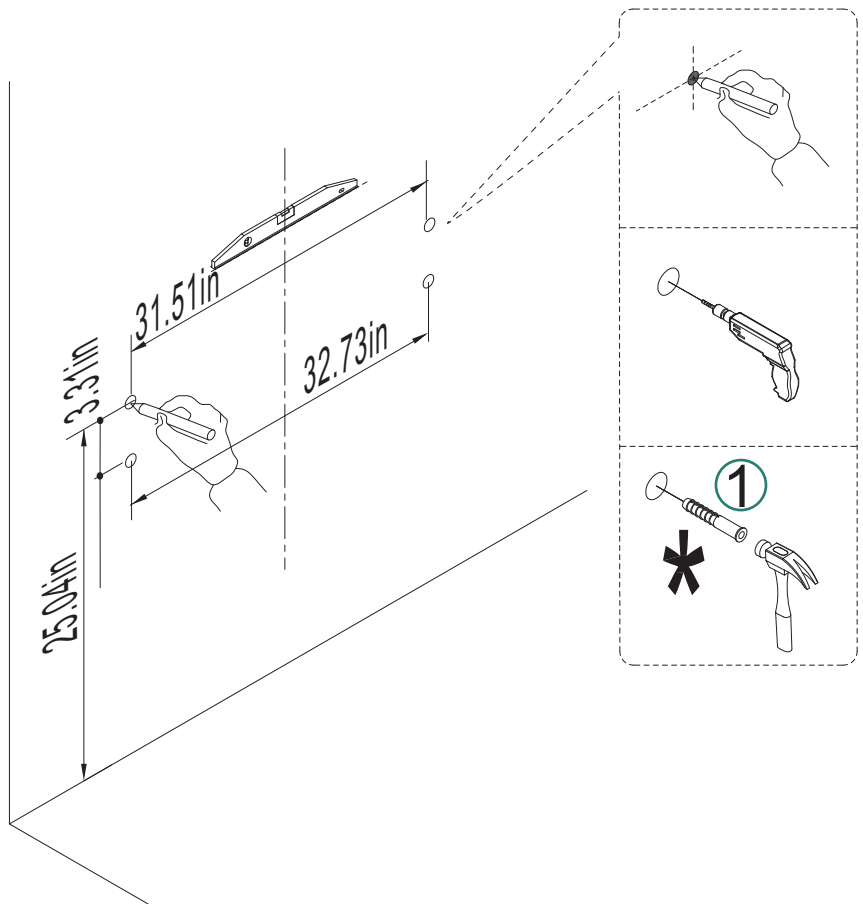
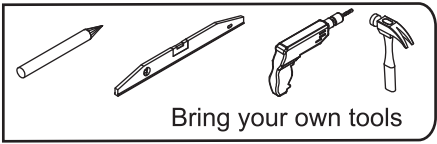
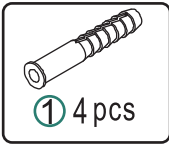
**Components - fittings**

Please check you have all the panels listed below.

Note: The quantities below are the correct amount to complete the assembly. In some cases more fittings may be supplied than are required.

Item no.	Reference Image	Qty	Item no.	Reference Image	Qty
A		x1	2		x4
B		x1	3		x4
1		x4	4		x6

# 1



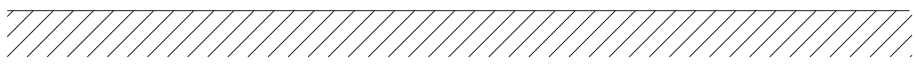
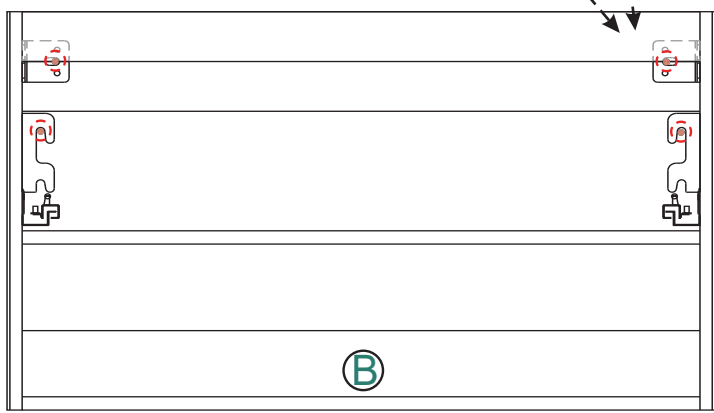
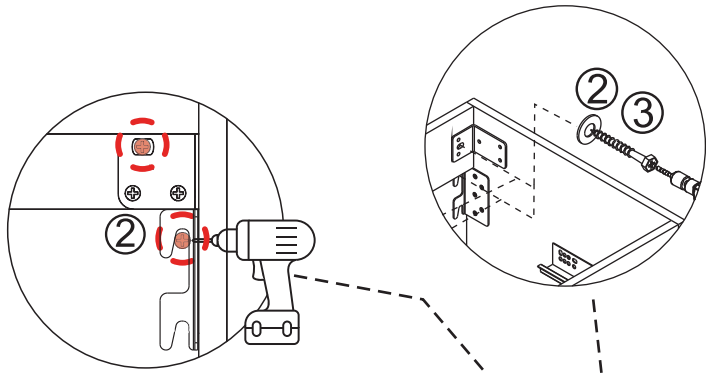
**WARNING:** To prevent falling down this product must be used with the wall attachment device provided.

**WARNING:** Assess the suitability of the wall to ensure that the fastening devices will withstand the forces generated.

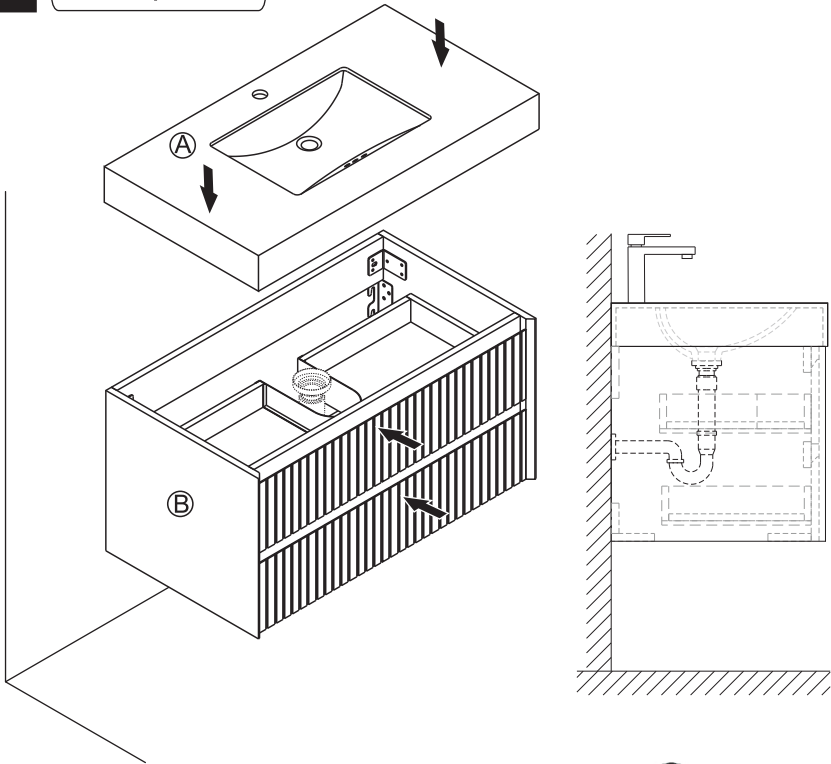
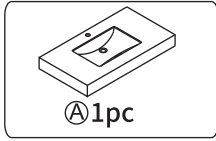
**WARNING:** The maximum load-bearing capacity of this furniture is:40-60kg, please do not overload! Load-bearing capacity primarily depends on the installation method and wall structure. Always identify the wall type first and hire professional installers using fasteners specifically designed for that wall type.

# 2

- Ⓑ 1pc
- ② 4pcs
- ③ 4pcs



# 3



### Pop-up Waste Installation

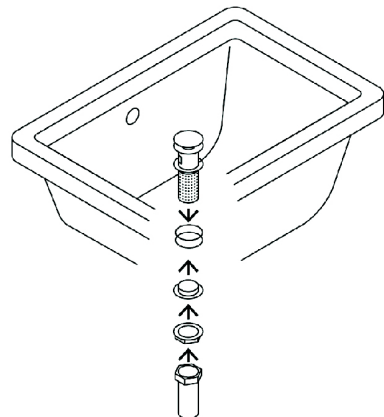
#### STEP 1

Install Pop-up Waste with over flow.

#### STEP 2

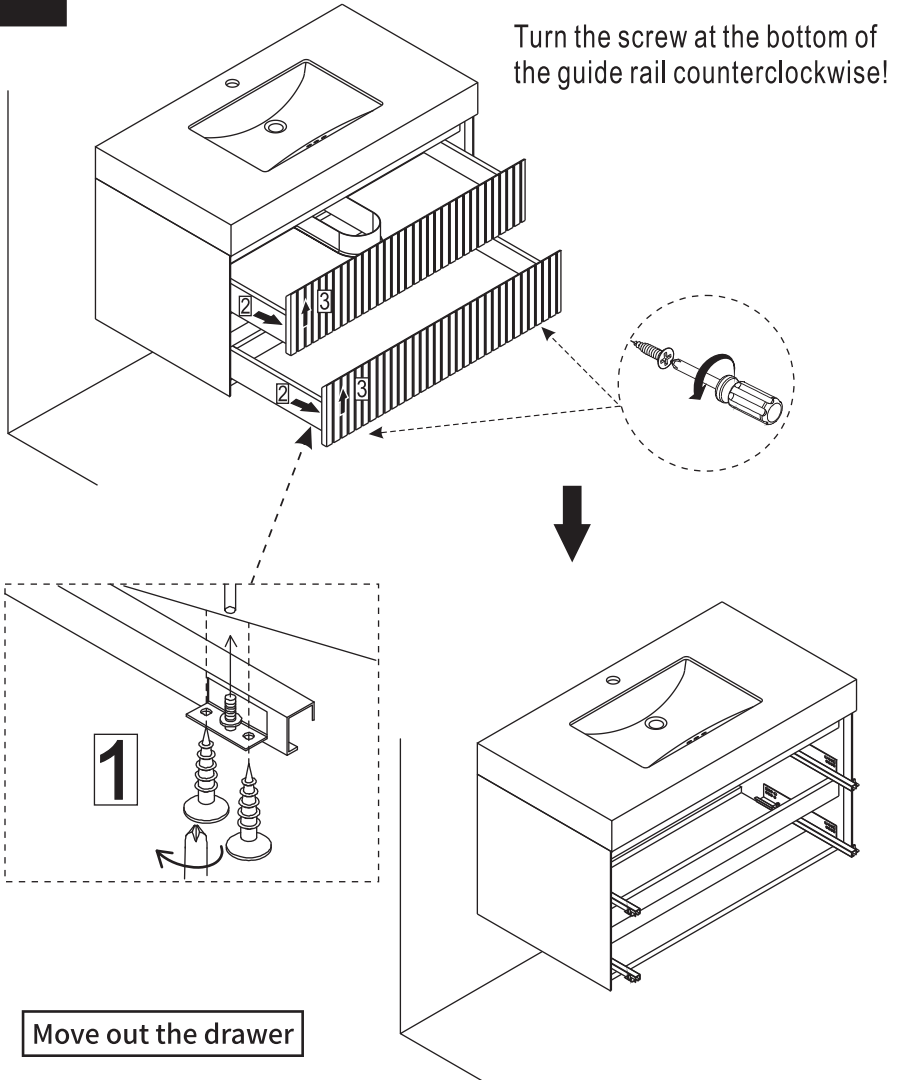
Connect the drain pipe.

This product does not include drainage accessories. The content on this page is provided as installation suggestions only. Please carry out the installation according to the requirements of the product you actually purchased.

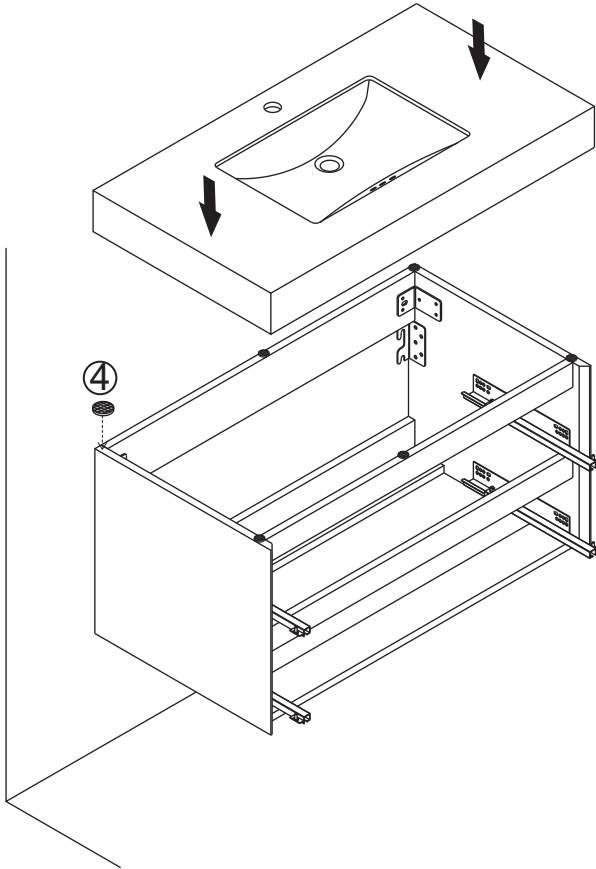
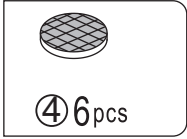


# 4

## Installation of drain assembly

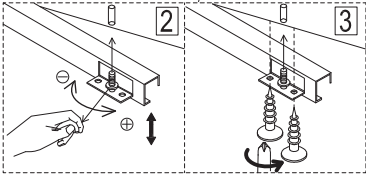
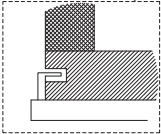
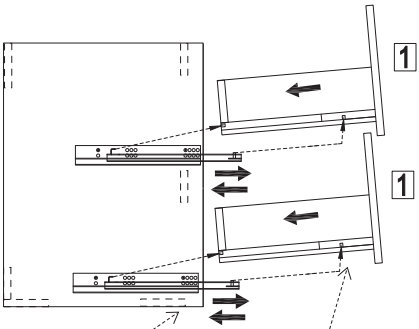
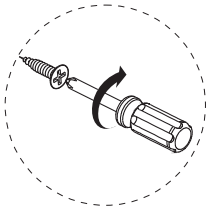
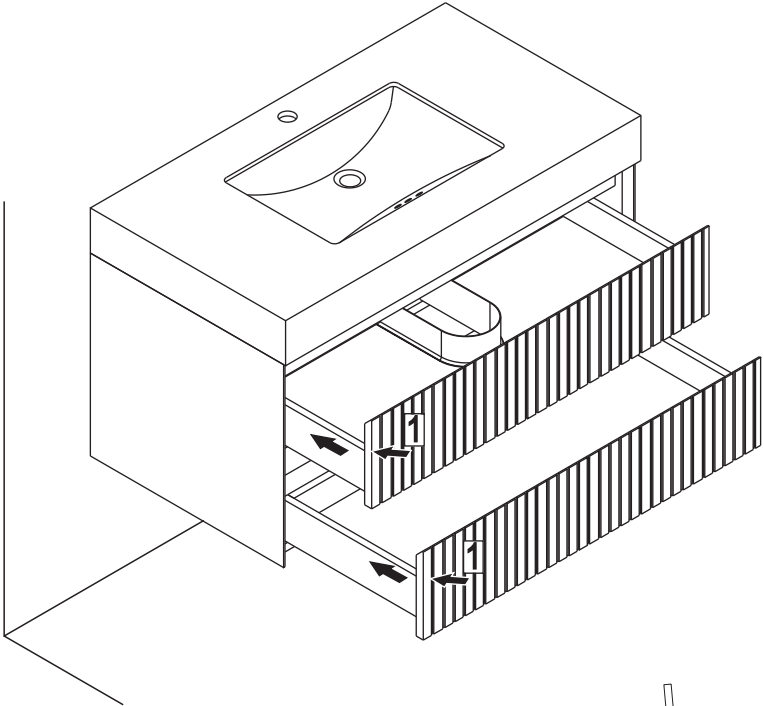


5



Installation of drain assembly

# 6



Installation completed