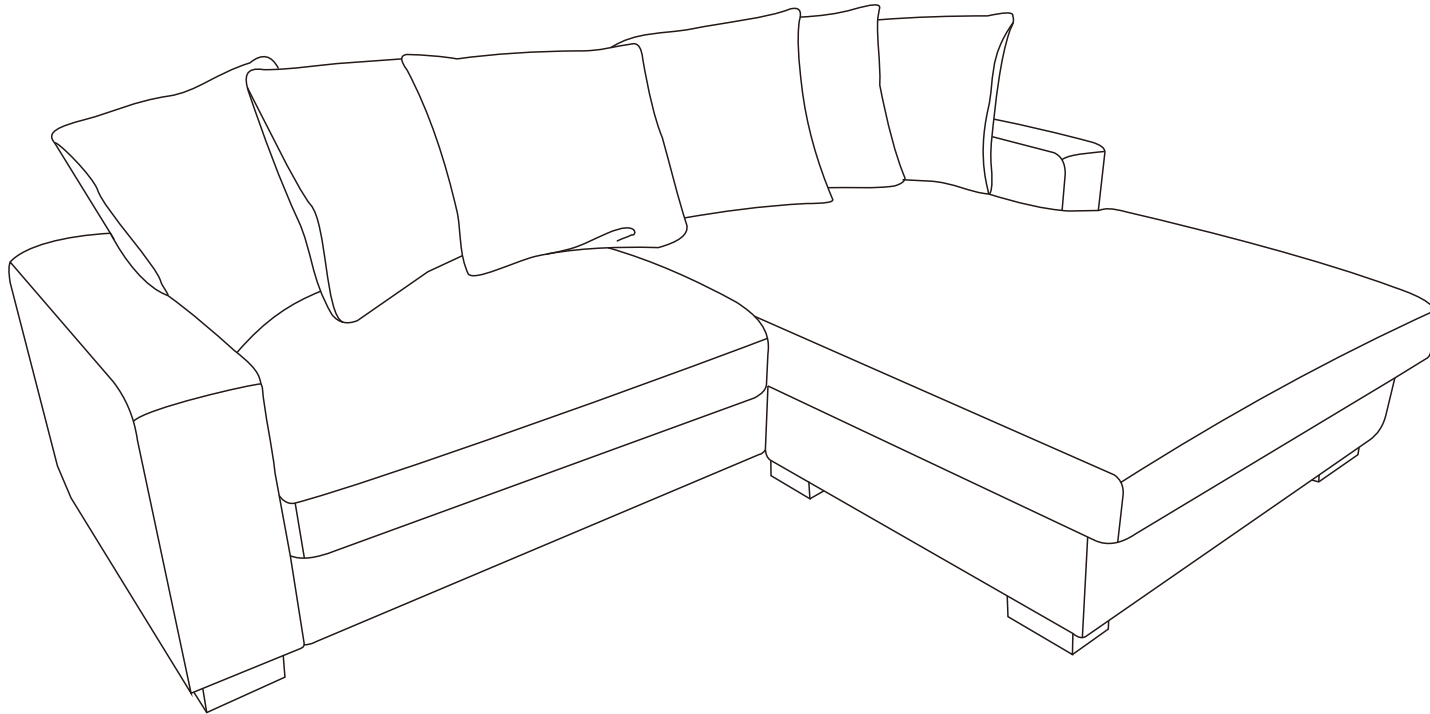


# Combination Sofa

## Assembly Instruction



1. There are 2 boxes of products, please do not further unpack and install before receiving the complete 2 boxes.
2. Assembly instructions (located in the Box1), hardware accessories (located in the Box1), please find all hardware accessories before installation.



## Before Installation

Thank you for choosing our product! To ensure a smooth installation process, please read this guide carefully to familiarize yourself with the required tools, materials, and installation steps. Follow the relevant sections to avoid any damage caused by improper installation, and make sure to review all operation and safety guidelines for correct installation procedures.

### Installation Information

- All information in this guide is based on the product's condition at the time of printing. We reserve the right to modify product features, packaging, or availability without prior notice.
- Before installing the furniture, ensure that all necessary electrical or environmental preparations are completed.
- This manual contains important instructions on installation, cleaning, and maintenance. Please read it thoroughly and keep it for future reference.

### Pre-Installation Checklist

1. Carefully inspect the new product for any damage or defects.
2. Ensure installation is carried out on a clean, flat surface to maintain balance and stability.
3. Avoid prolonged exposure of the product to damp environments or direct sunlight.
4. Handle with care during installation. Use protective materials (e.g., soft pads) to prevent scratches.
5. For any questions or technical support, refer to the customer service guide and contact the seller's customer service.

### Usage and Maintenance Recommendations

1. Clean furniture regularly to maintain hygiene and prevent bacteria growth. Use a damp cloth that has been wrung out to avoid scratching the finish.
2. Avoid contact with acidic or alkaline corrosive liquids.
3. Do not use unauthorized replacement parts. For replacement parts, contact the manufacturer or distributor.
4. Do not machine wash or rinse any part of this product with water.



## Safety Warnings

### 1. Warning Labels:

Do not remove warning labels on the product or packaging, and always follow the related instructions.

### 2. Regular Inspections:

Regularly check all parts of the product to ensure they are correctly installed, undamaged, and all connectors are securely tightened.

### 3. Safe Use:

Do not play on or under the sofa, and strictly avoid jumping or any actions that may harm the sofa or users.

### 4. Rope Hazard:

Do not attach ropes, hooks, straps, or other unintended items to any part of the product.

### 5. Guide Preservation:

Retain this manual for future reference.

### 6. Supervisory Responsibility:

Safety is a shared responsibility between the manufacturer and the user. Always adhere to safety guidelines when using the product.

### Disclaimer


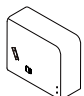
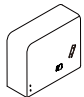
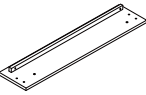
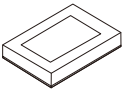
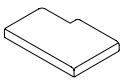

We are committed to providing safe and reliable products. If you have any questions about this product or require additional support, please contact our customer service team. We are here to assist you.

# Seller's Notice













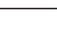
Our product is packed in separate boxes as shown below, and they might be shipped in different batches. Please wait until you received all the boxes then start the assembly.


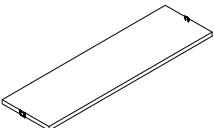
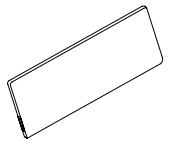
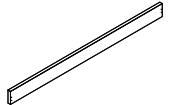
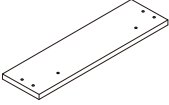
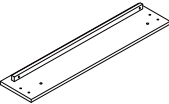
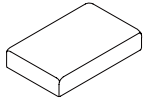
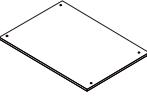
**Noted: Assembly instruction is only provided in Box1.**

The following is the list of components contained in these boxes.

	BOX1	Main structure accessories	
<b>a</b>	 R	Right armrest	x1
<b>A</b>	 L	Left armrest	x1
<b>F</b>		Pedal the front and rear flaps	x1
<b>Y</b>		Pedal cover	x1
<b>I</b>		chaise cushion	x1
<b>X</b>		Backpack (Put it in the armrest)	x6

Accessory bag		Hardware bag	
<b>M</b>	 Plastic foot	<b>Q</b>	 M6*35mm (Ø1/4*1-3/8") x16
<b>J</b>	 L-shaped hanging piece	<b>S</b>	 M8*18mm (Ø5/16*5-7/8") x42
<b>O</b>	 Hanging film	<b>T</b>	 M6*25mm (Ø1/4*1") x8
<b>N</b>	 Left Angle hanging	<b>U</b>	 M8*55mm (Ø5/16*1-3/18/1") x10
<b>n</b>	 RightAngle hanger	<b>W</b>	 x1
<b>K</b>	 Push the foot board		
<b>Z</b>	 Postmedian crura		
<b>P</b>	 Premedian crura		

	BOX2	Main structure accessories	
<b>C</b>		Pedestal frame	x1
<b>B</b>		Backrest	x1
<b>D</b>		Front bezel	x1
<b>E</b>		Pedal side board	x2
<b>F</b>		Pedal the front and rear flaps	x1
<b>H</b>		Seat cushion bag	x1
<b>G</b>		Pedal iron frame	x2

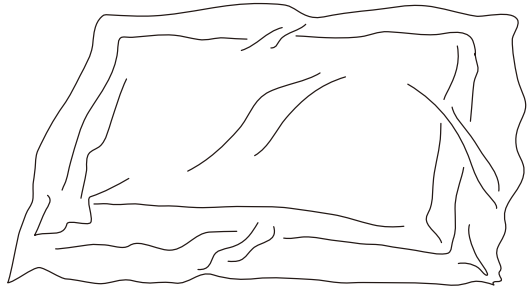
# Safety and Care Advice

**Important - Please read these instructions fully before starting assembly**

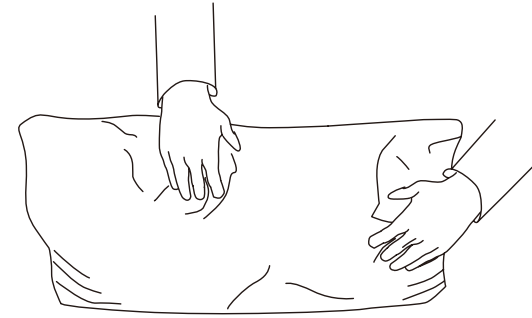
**Thanks for your purchase. Before assembling, please follow the instructions to check if all the spare parts and screws are intact.**

- Considering the size and weight of the sofa, we recommend two adults to assemble the sofa, on a carpeted or padded area, in the room that it is intended for. Approximate assembly time: 30 minutes.
- Please do not throw away any of the packaging or the instruction until all the components and hardware have been checked and the furniture is fully assembled. Please ensure that the packaging is disposed in a safe and environmentally friendly way.
- Keep all components and packaging out of reach of children or animals to avoid the risk of choking or suffocation.
- Please do not take off the cover, and do not wash.

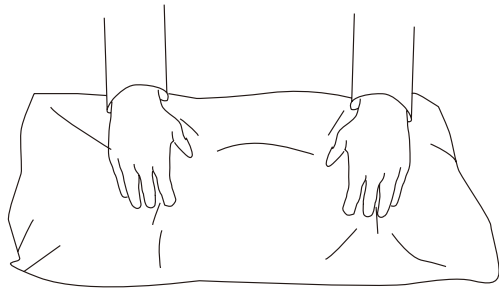
Your cushions come vacuum packed and sealed for shipping. To restore the cushion's original shape, follow the steps below.



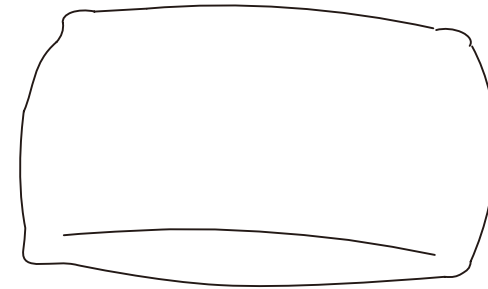
Open the vacuum bag carefully.



Press and tap with both hands from the side to fully inhale air.



Press and tap with both hands from the front to fully inflate.



Carefully smooth out each section until the surface is even.

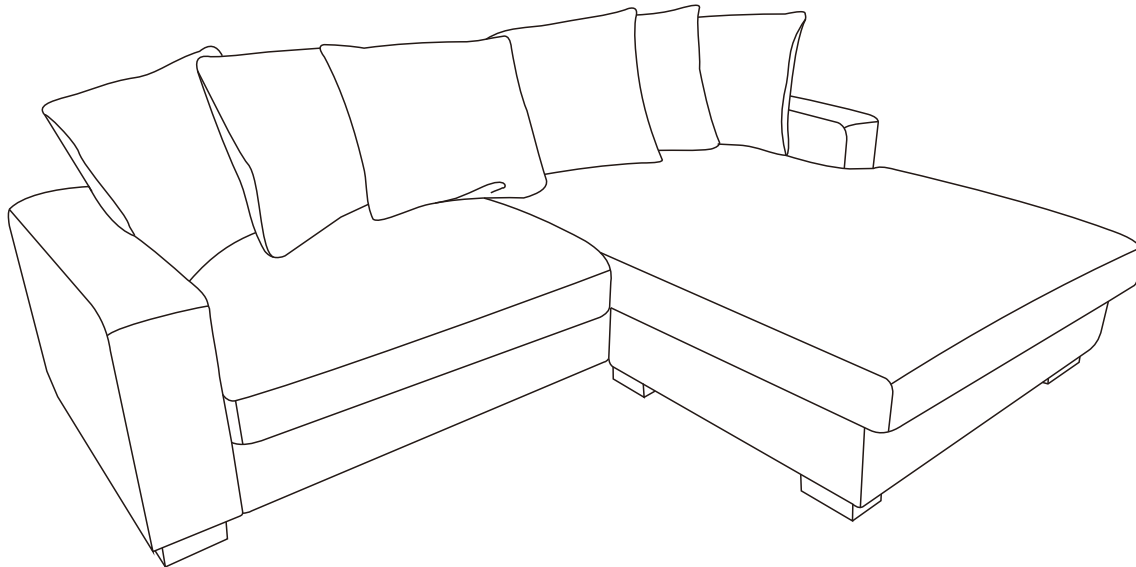
After packing up, place them somewhere dry and ventilated. After about 72-96 hours, it can be restored to the best-use condition.

# Sleep Sofa

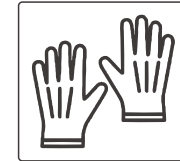
## Assembly Instructions - Please keep for reference

### **Note:**

Delivered with **TWO PACKAGES** with **TWO TRACKINGS**, may **NOT** be delivered at the same time.



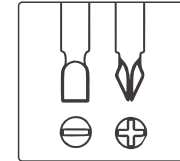
2 people needed



Work gloves



Tape measure



Other Tools Required  
Phillips Screwdriver  
(Not Included)

### **SIMPLE ASSEMBLY STEPS**

1. Read the manual carefully.
2. Check all parts and hardware.
3. Prepare necessary tools.
4. Have at least two adults for assembly.

Please follow the instructions and use a sanitary napkin to protect the product during your assembly process.

#### **Note:**

**1.The assembly should be done on a flat surface to maintain balance.**

**2.Do not tighten the screws before the assembly is complete.**

**To make the assembly process easier and better, two or more adults are needed.**

**Important** - Please read these instructions fully before starting assembly

# CUSTOMER SERVICE GUIDE

Thank you for choosing our product! We are committed to providing you with excellent service. If you find any missing parts, damaged packaging, or product damage after receiving all packages, please follow the steps below to quickly contact our customer service team. We will do our best to resolve your issue.

## 1. Missing Parts

### Verify Parts:

1. Refer to the “Parts List” in the manual to verify the name, specifications, and quantity of the missing parts.
2. Take a clear photo of the parts list and mark the missing parts with detailed information, e.g., “Missing 5 pieces of M6x30mm screws.”

### Contact Us:

- A description of the missing parts and a photo of the parts list.
- Order details (order number, purchase platform, purchase date).

## 2. Product or Packaging Damage

### If it affects normal use:

#### Steps:

1. Take clear photos or videos showing the damaged parts and the extent of the damage (multi-angle shots are recommended).
2. Email the photos/videos along with other details to [service@grandtunnel.com](mailto:service@grandtunnel.com), with the subject line “Product Damage Issue.”

#### Resolution:

After verification, we will arrange for a replacement part, product exchange, or refund as quickly as possible.

### If it does not affect normal use:

#### Steps:

Provide a description of the damage and include relevant photos or videos.

#### Resolution:

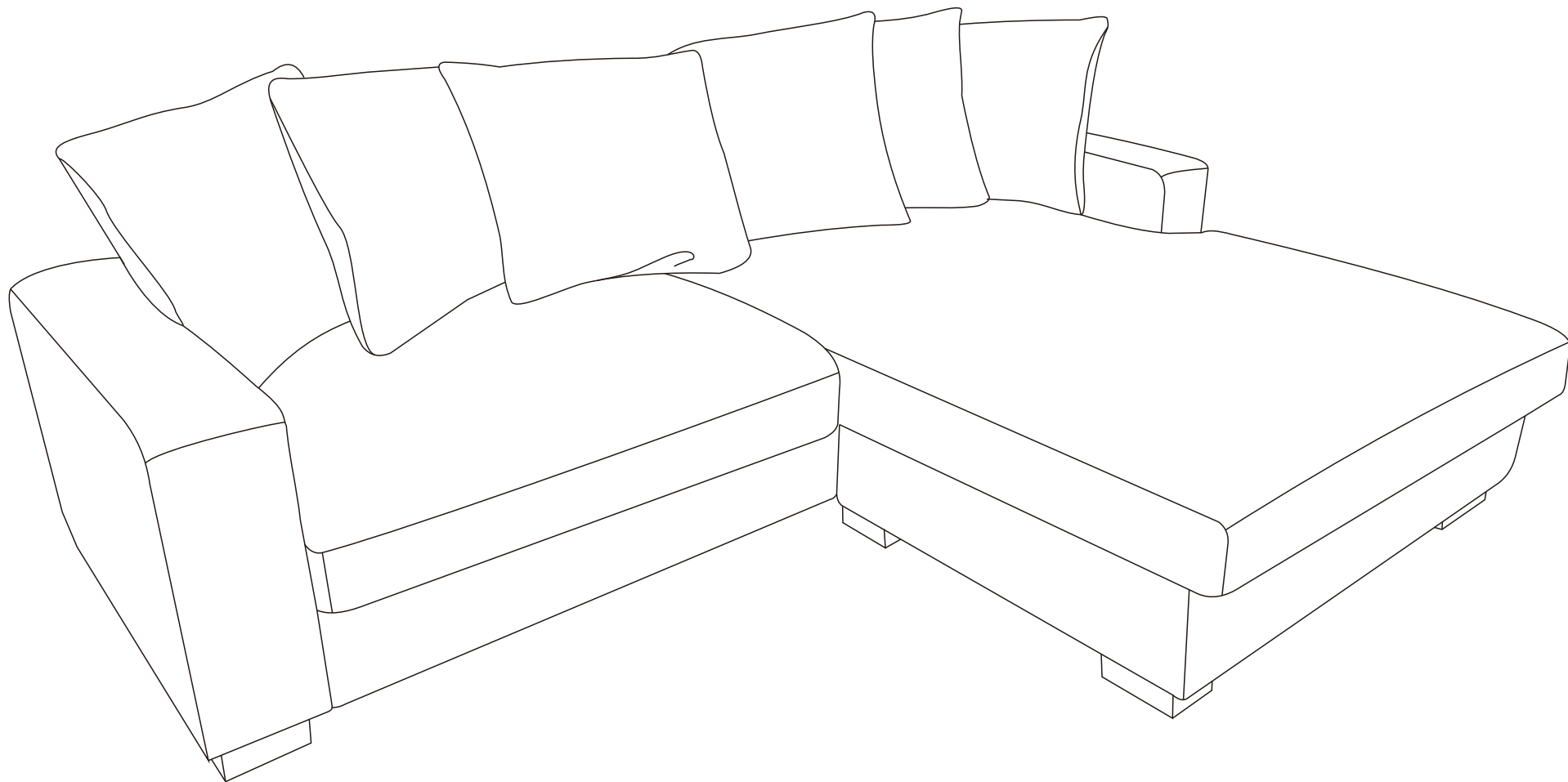
We will provide repair guidance or an appropriate compensation plan based on the specific situation.

## Helpful Tips

To process your issue efficiently, please prepare the following information:

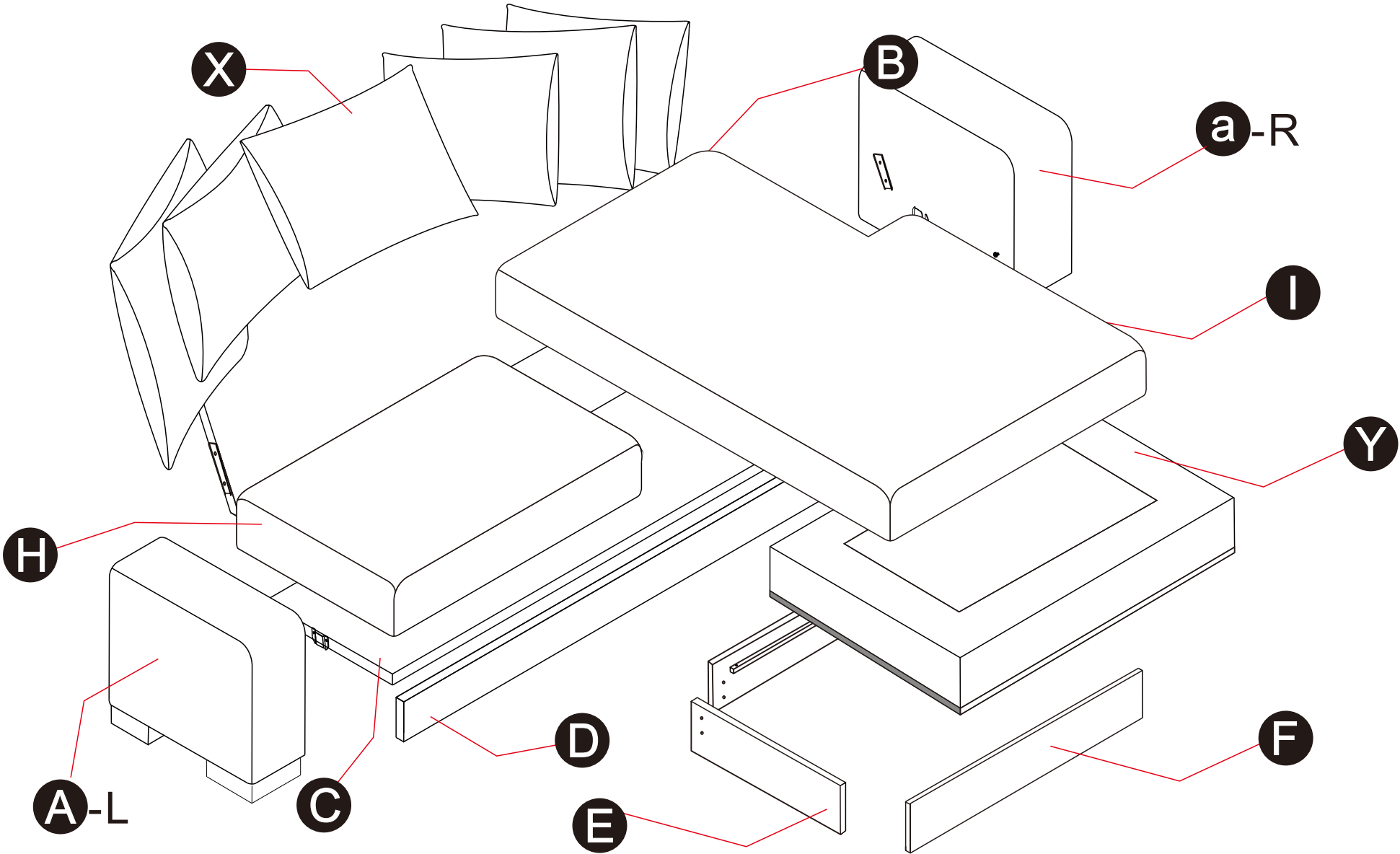
- Order details (order number, purchase platform, purchase date).
- Clear photos or videos.
- We are committed to providing quick and professional solutions, no matter the size of the issue, to ensure your satisfaction.

Thank you for your trust and support! We hope you enjoy using our product!

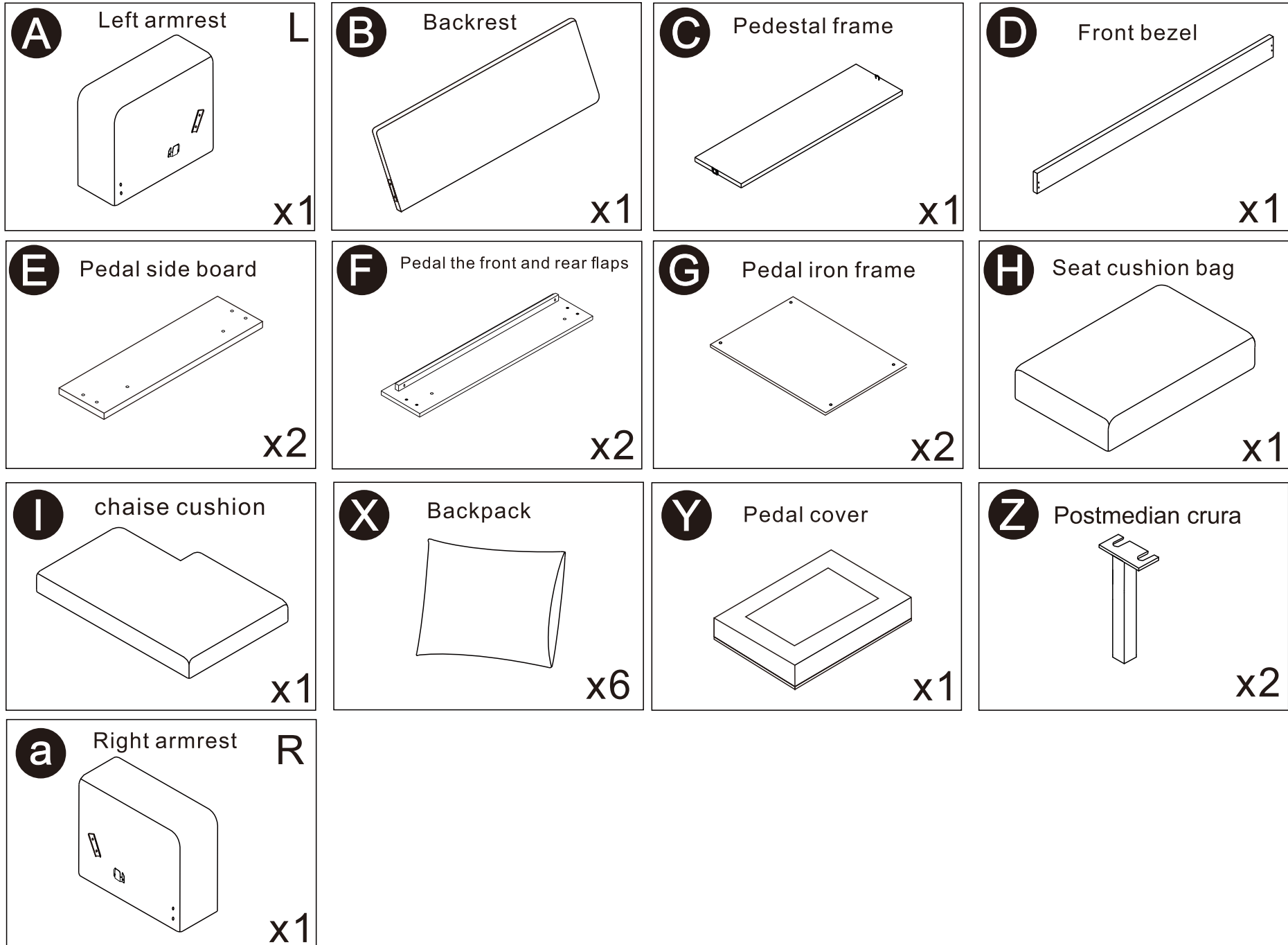


Before starting assembly, determine where the sofa will be placed and the orientation you want it to be.

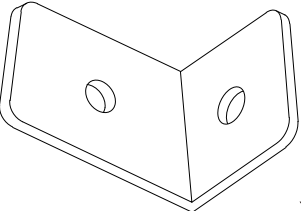
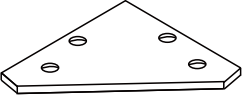
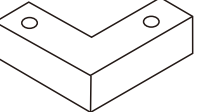
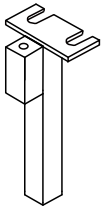
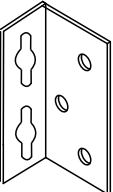
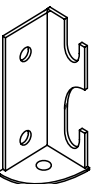
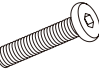
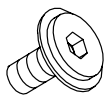
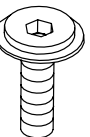
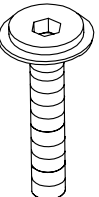
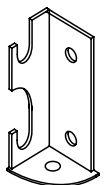

# SOFA



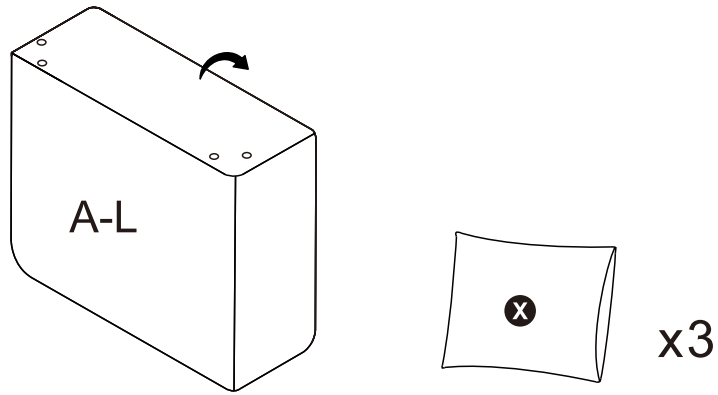
# Main structure accessories



# Main structure accessories

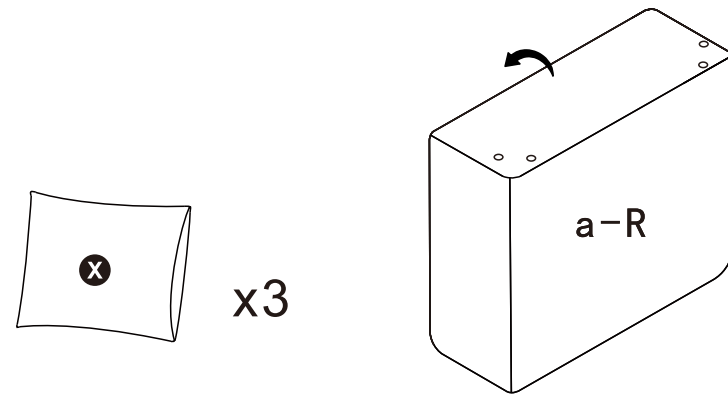
<p><b>J</b> L-shaped hanging piece</p>  <p>x8</p>	<p><b>K</b> Push the foot board</p>  <p>x4</p>	<p><b>M</b> Plastic feet</p>  <p>x8</p>	<p><b>P</b> Premedian crura</p>  <p>x2</p>
<p><b>O</b> Hanging film</p>  <p>x2</p>	<p><b>N</b> Left Angle hanging L</p>  <p>x2</p>	<p><b>Q</b></p>  <p>M6*35mm Ø1/4*1-3/8" x16</p>	<p><b>S</b></p>  <p>M8*18mm Ø5/16*5-7" x42</p>
<p><b>T</b></p>  <p>M6*25mm Ø1/4*1" x8</p>	<p><b>U</b></p>  <p>M8*55mm Ø5/16*1-3/18/" x10</p>	<p><b>n</b> Right Angle hangerR</p>  <p>x2</p>	<p><b>W</b></p>  <p>x1</p>

### STEP 1



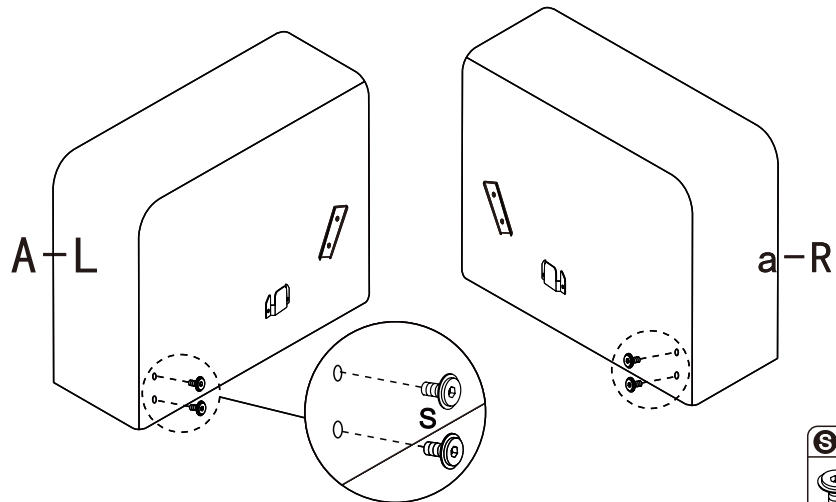
Take (X) from inside (A-L).

### STEP 2



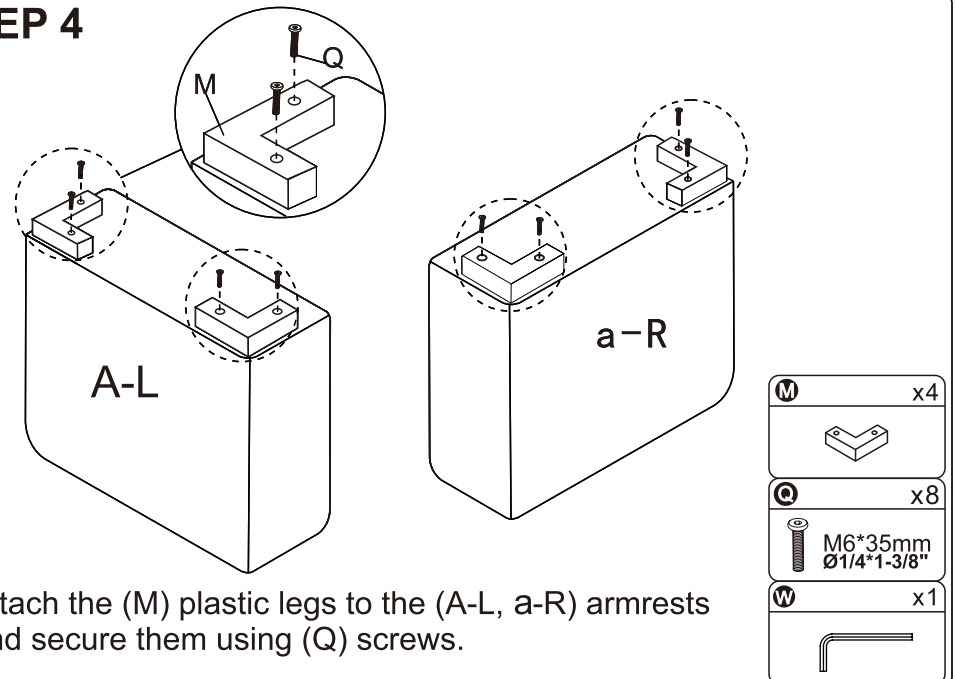
Take (X) from inside (a-R).

### STEP 3



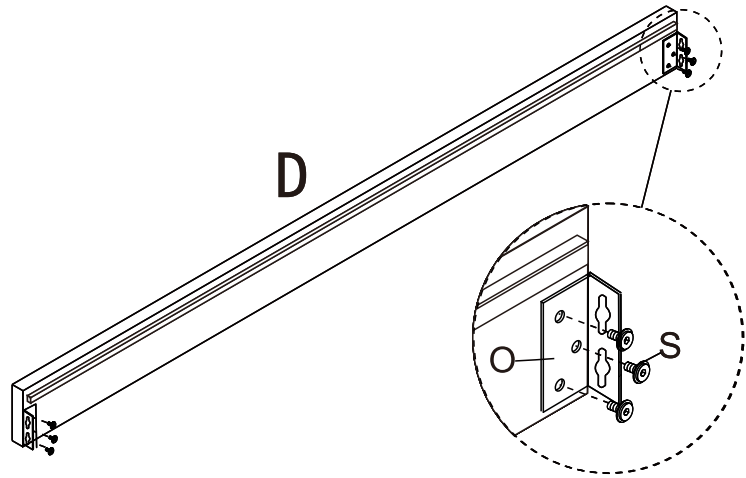
Partially install the (S) screws into the (A-L, a-R) armrests, tightening them to 50%.

### STEP 4

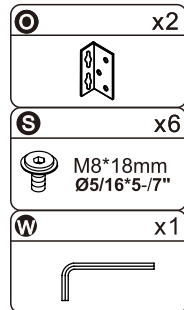


Attach the (M) plastic legs to the (A-L, a-R) armrests and secure them using (Q) screws.

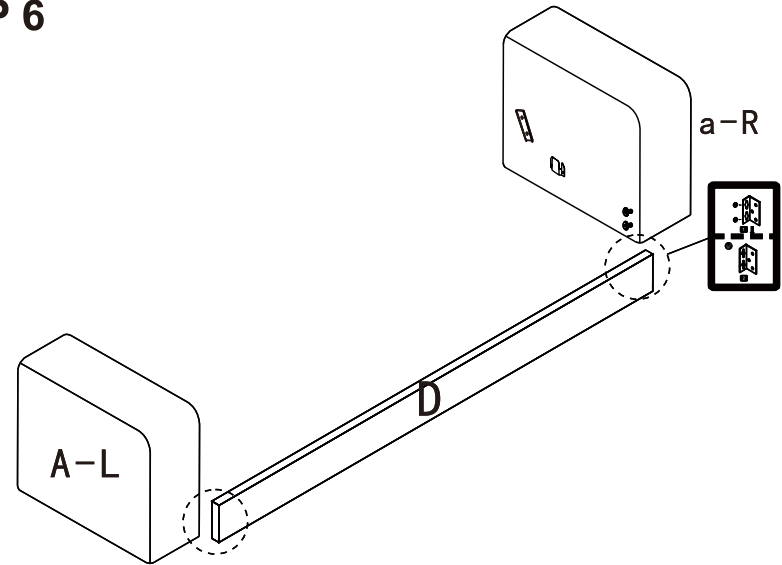
### STEP 5



Install the (O) hooks onto the (D) front frame panel and secure them using (S) screws.

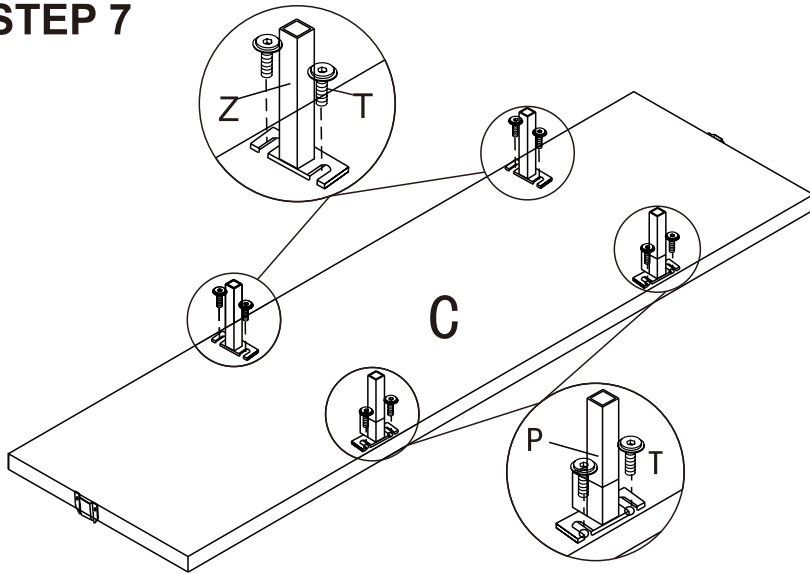


### STEP 6

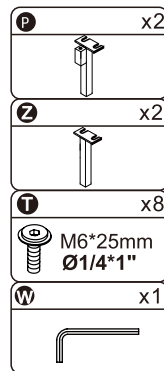


Connect the pre-installed (D) front frame panel to the (A-L, a-R) armrests.

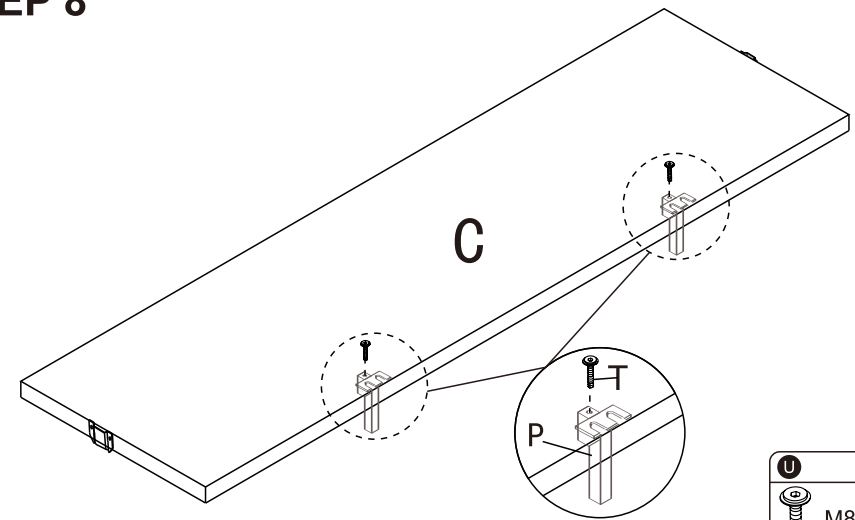
### STEP 7



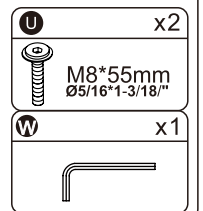
Attach the (P) rear support legs and (Z) support legs to the (C) seat frame using (T) screws.



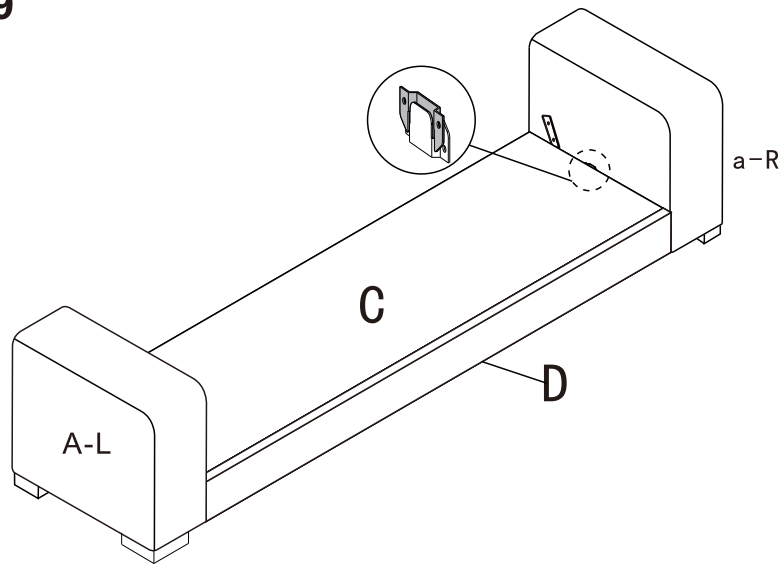
### STEP 8



Flip the (C) seat frame upside down and fully tighten the (P) rear support legs using (U) screws.

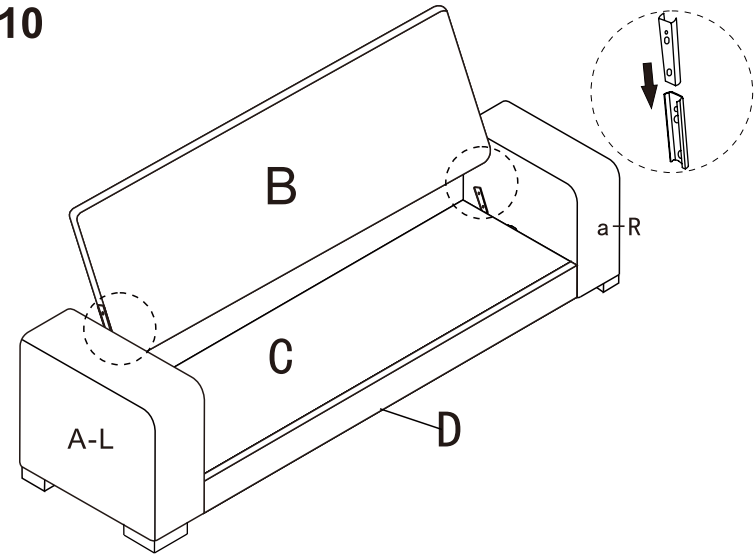


### STEP 9



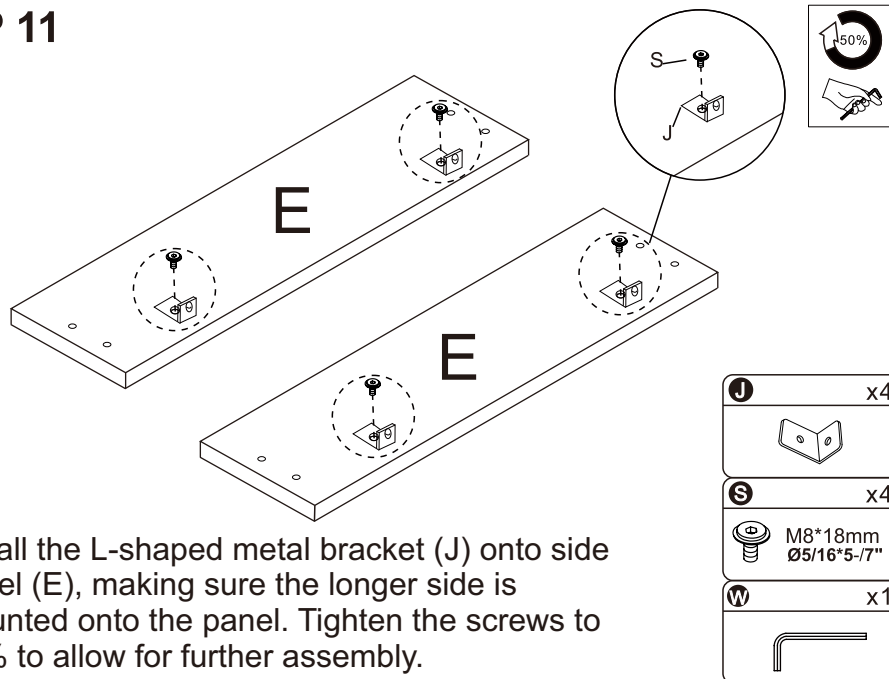
Connect the assembled (C) seat frame to the (A-L, a-R) armrests using the "mountain"-shaped connecting brackets.

### STEP 10



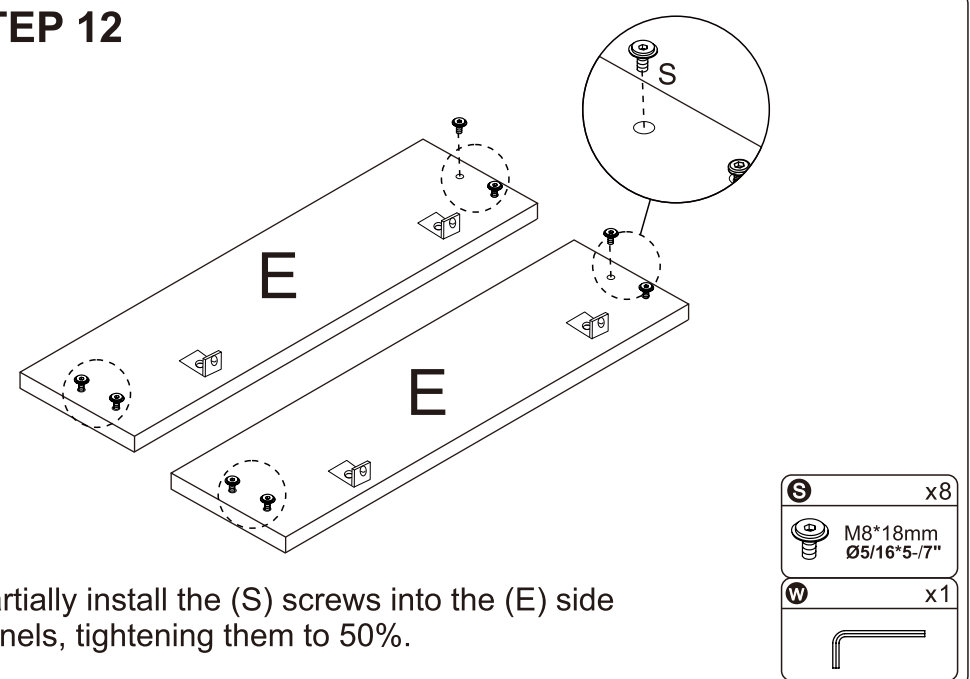
Align the multi-color connecting pieces on both sides of the (B) backrest with the metal slots on the (A-L, a-R) armrests, and insert them downward horizontally until fully secured.

### STEP 11



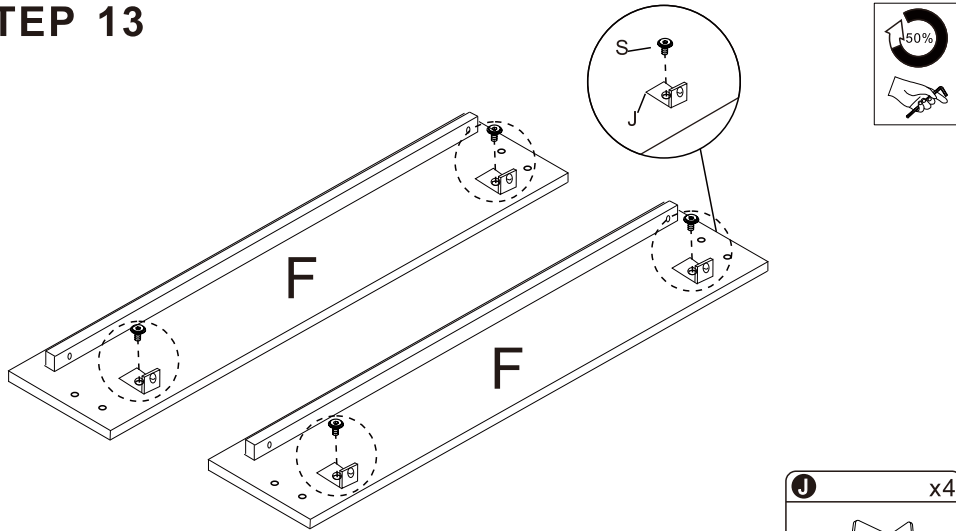
Install the L-shaped metal bracket (J) onto side panel (E), making sure the longer side is mounted onto the panel. Tighten the screws to 50% to allow for further assembly.

### STEP 12



Partially install the (S) screws into the (E) side panels, tightening them to 50%.

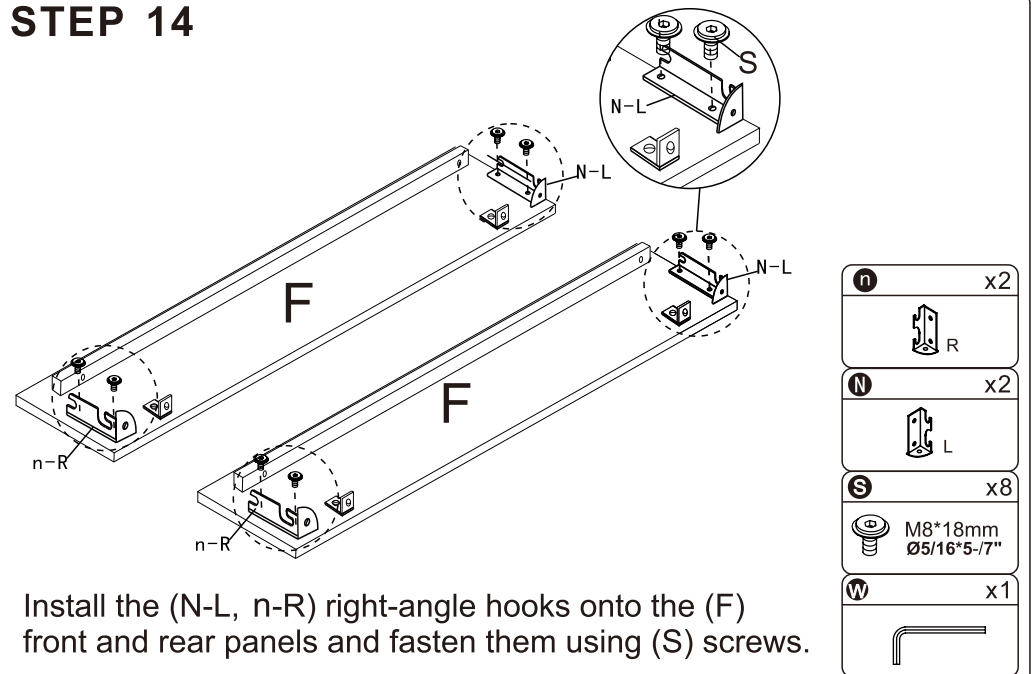
### STEP 13



Install the L-shaped metal bracket (J) onto side panel (F), making sure the longer side is mounted onto the panel. Tighten the screws to 50% to allow for further assembly.

<b>J</b>	x4
<b>S</b>	x4
M8*18mm Ø5/16*5-7"	

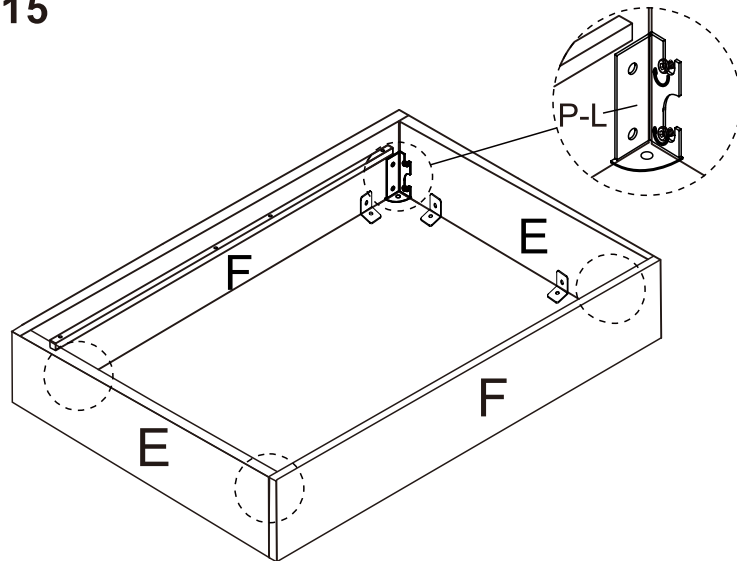
### STEP 14



Install the (N-L, n-R) right-angle hooks onto the (F) front and rear panels and fasten them using (S) screws.

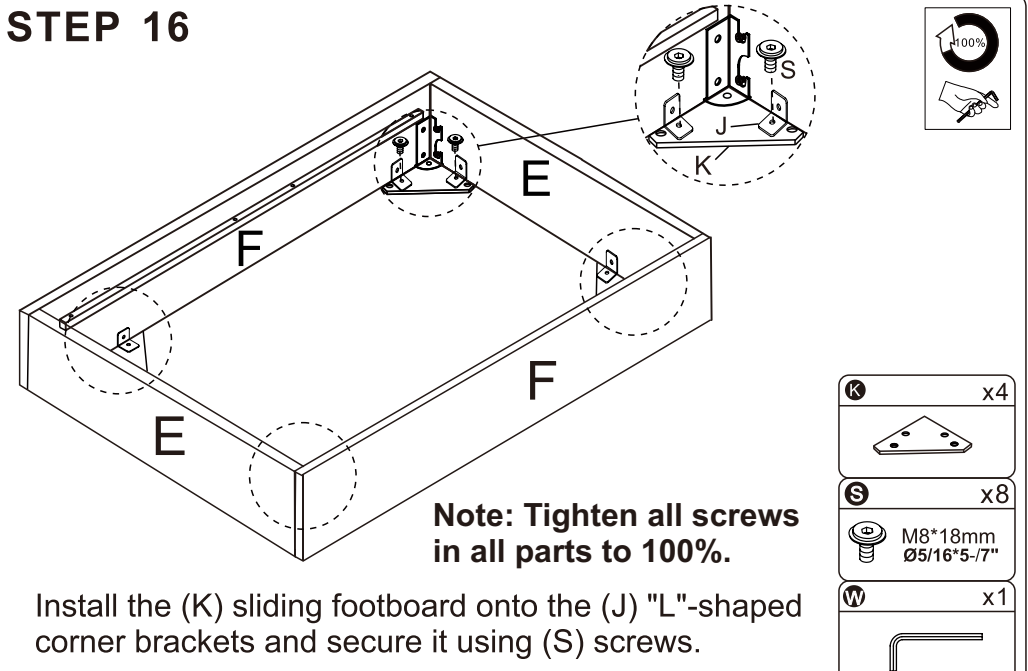
<b>N</b>	x2
<b>N-L</b>	x2
<b>S</b>	x8
M8*18mm Ø5/16*5-7"	
<b>W</b>	x1

### STEP 15



Attach the pre-installed (E) side panels onto the (F) front and rear panels and fully tighten the screws.

### STEP 16

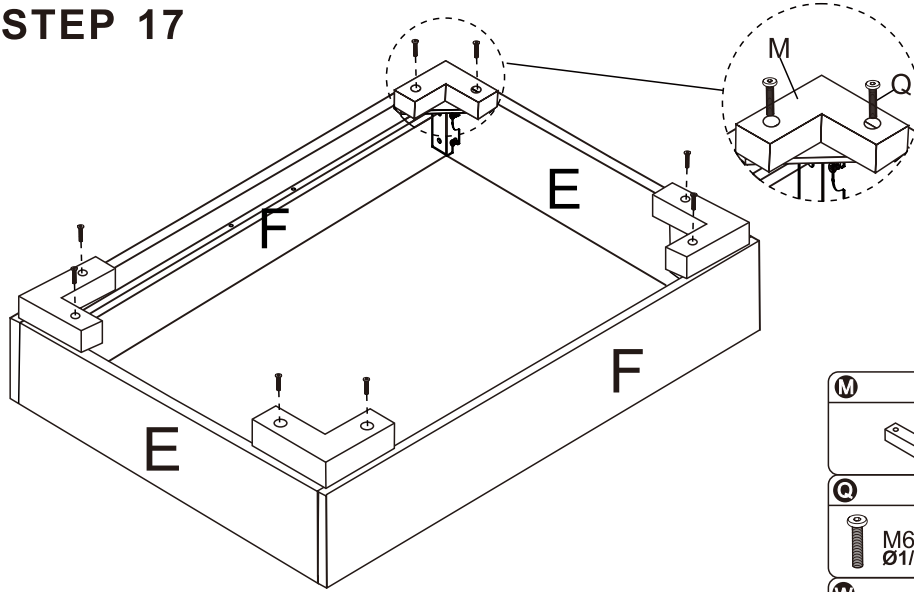


**Note: Tighten all screws in all parts to 100%.**

Install the (K) sliding footboard onto the (J) "L"-shaped corner brackets and secure it using (S) screws.

<b>K</b>	x4
<b>S</b>	x8
M8*18mm Ø5/16*5-7"	
<b>W</b>	x1

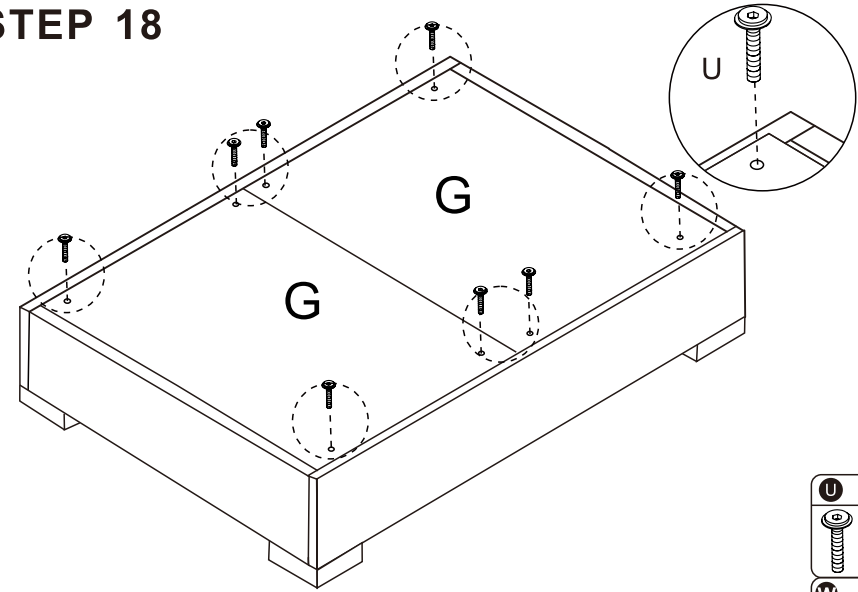
### STEP 17



M	x4
Q	x8
	M6*35mm Ø1/4*1-3/8"
W	x1

Attach the (M) plastic legs to the footrest frame, align them with the holes, and secure them using (Q) screws.

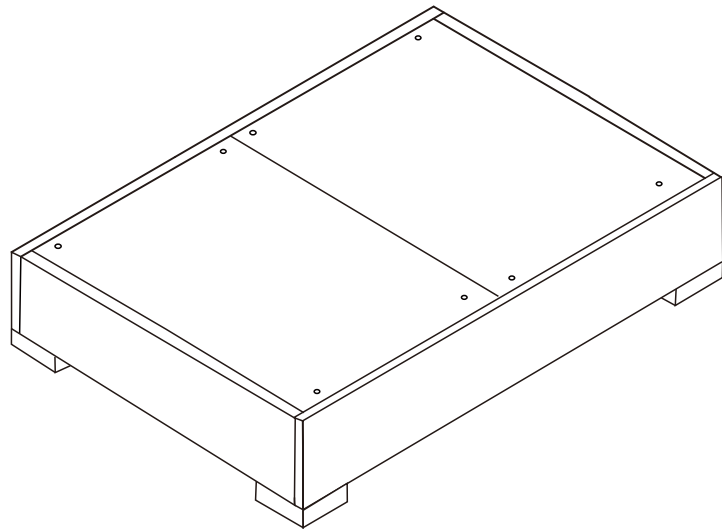
### STEP 18



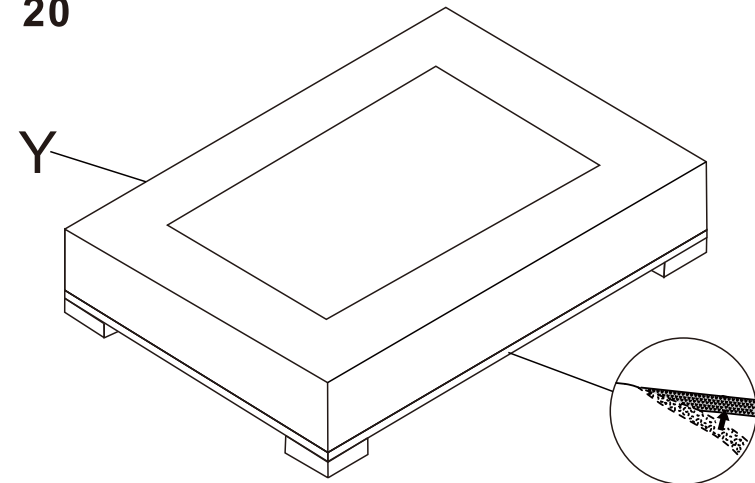
U	x8
	M8*55mm Ø5/16*1-3/18"
W	x1

Install the (G) pedal board onto the (E, F) frame using (U) screws.

### STEP 19



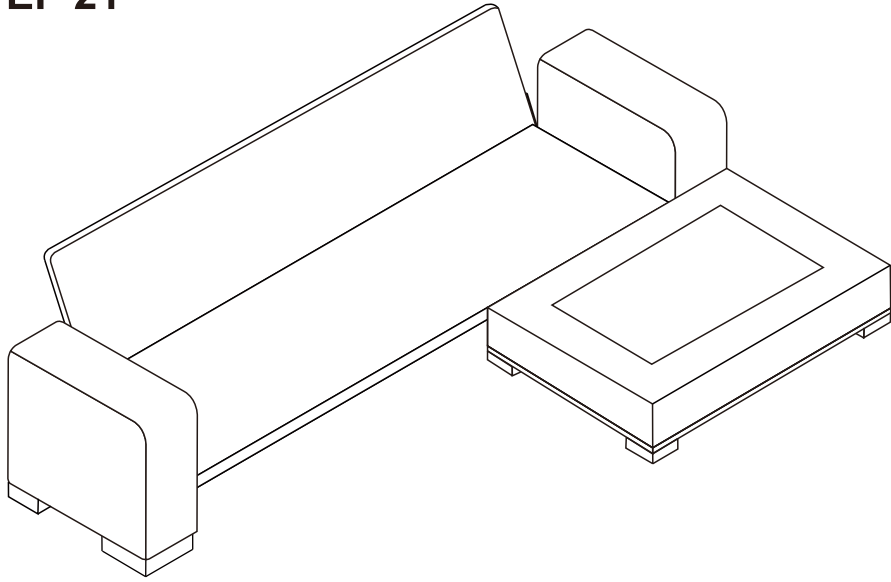
### STEP 20



Install the (Y) footboard fabric cover over the footrest frame and smooth out the Velcro fasteners.

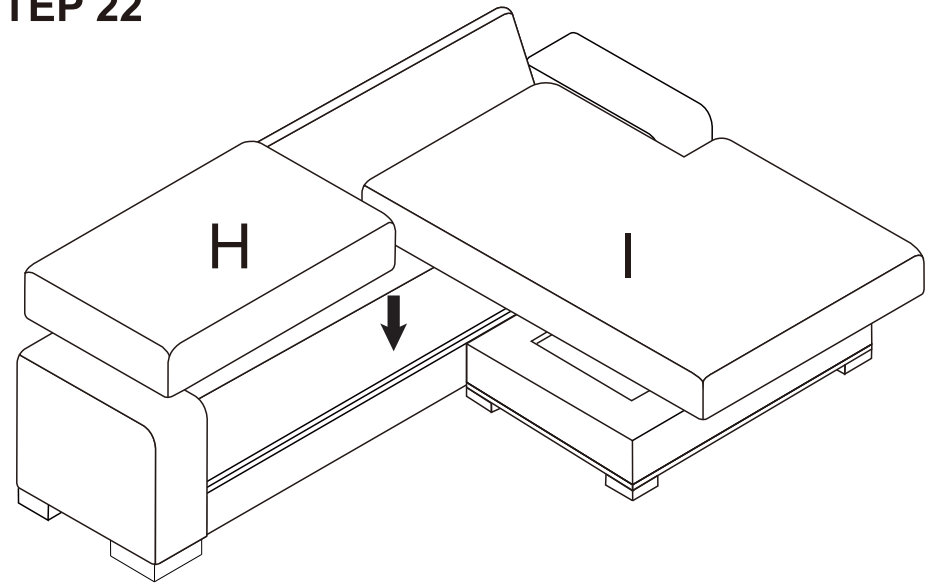
**Note: Be sure to remove the protective film from the Velcro before attaching it.**

**STEP 21**



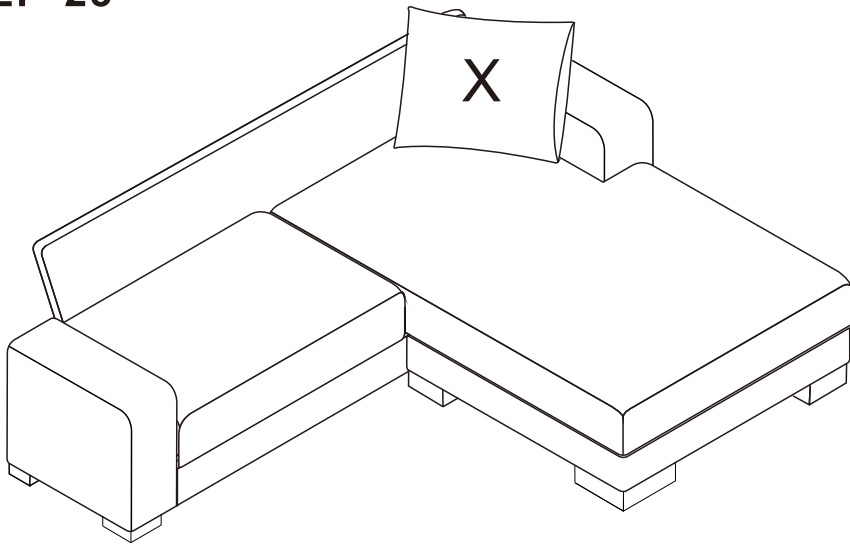
Attach the footrest to the main sofa structure.

**STEP 22**



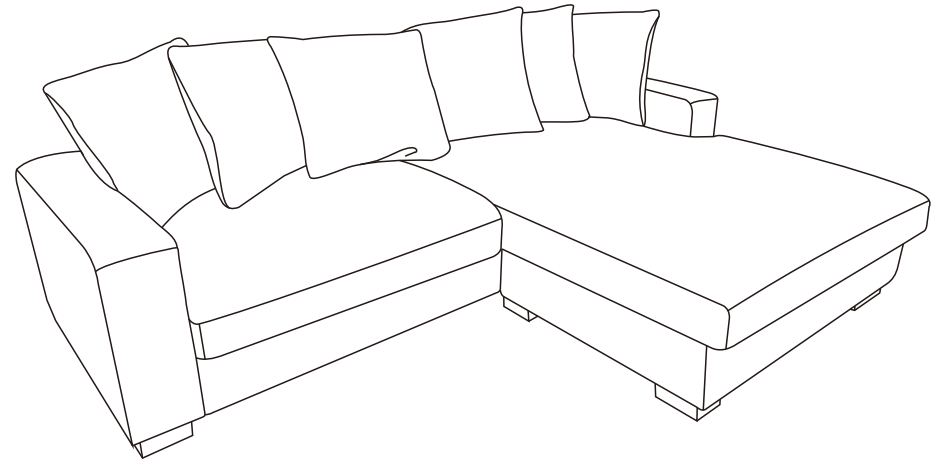
Place the (H, I) seat cushions on the sofa.

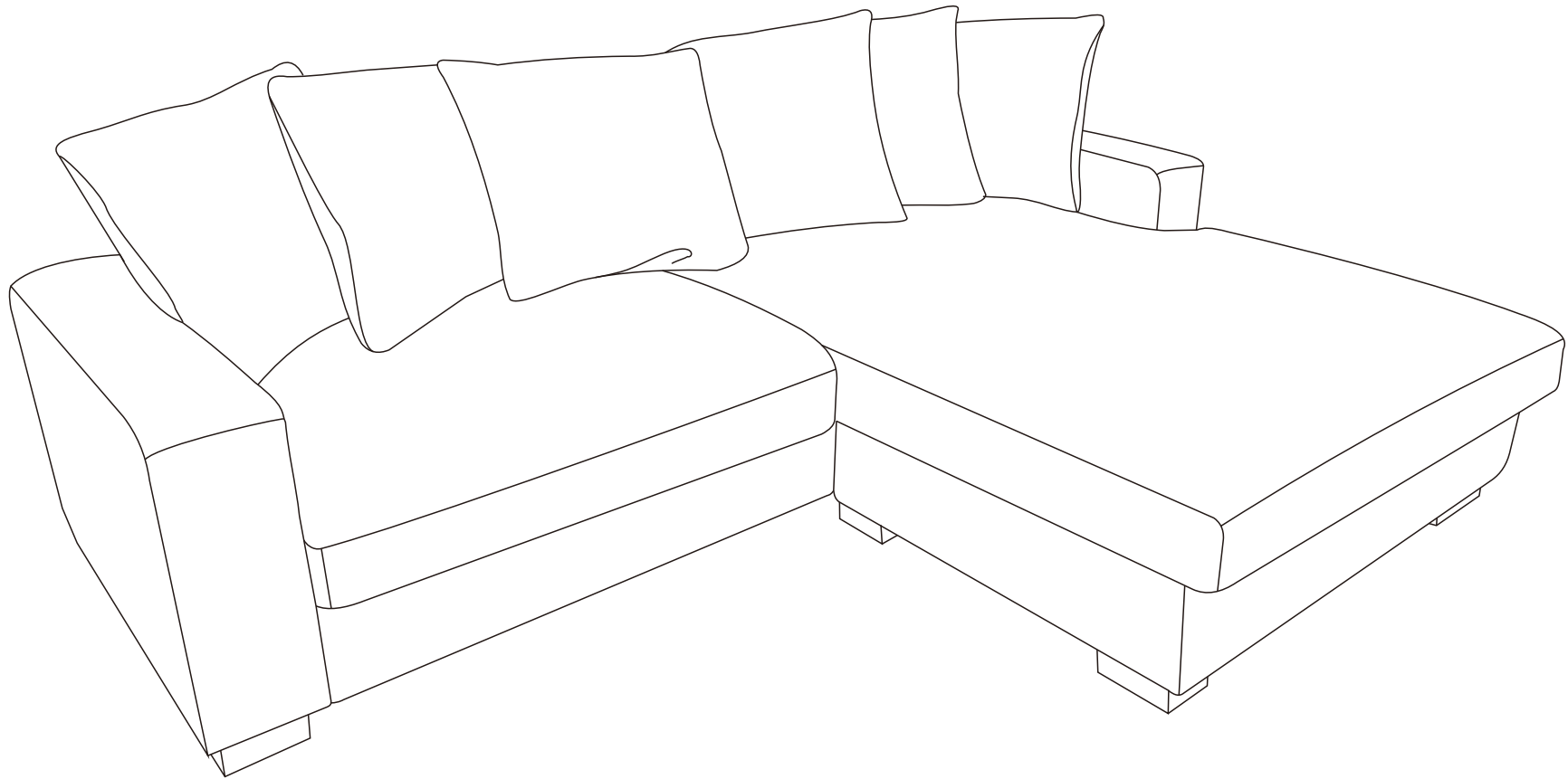
**STEP 23**



Position the (X) back cushion in place between the sofa backrest and armrests.

**STEP 24**





## Maintenance

1. Keep a gap of 0.5-1 cm between the wall part of the sofa and the wall.
2. Avoid direct sunlight, preferably placed in a place that can avoid sunlight, or use translucent tulle curtains to block the sun.
3. Vacuum at least once a week, paying particular attention to removing dust accumulation between fabric structures.
4. Sofa cushions are turned over once a week to evenly distribute wear.
5. If stained, use a clean cloth dipped in water to wipe. In order to avoid leaving marks, it is best to wipe from the periphery of the stain. Velvet furniture should not be dipped in water and should use a dry cleaning agent.
6. All cloth covers and bushings should be dry-cleaned, not washed, not bleached.
7. If you find loose thread, do not tear it with your hand; it is best to cut the thread neatly with scissors.