

## ASSEMBLY INSTRUCTIONS



**CAUTION**

- ◆ Inspect the wire insulation for any cuts, abrasions, or exposed copper that may have resulted during shipping. If there is a defect in the wire, do not attempt installation.
- ◆ Before starting installation of this fixture or removal of a previous fixture, disconnect the power by turning off the circuit breaker or by removing the fuse at the fuse box.

## TOOLS REQUIRED



**Ladder**

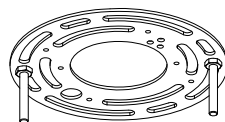


**Safety  
glasses**

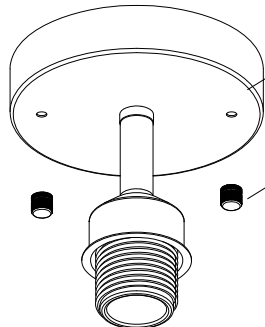


**Phillips  
screwdriver**

## PARTS SHOWN MAY DIFFER SLIGHTLY PER LIGHT FIXTURE

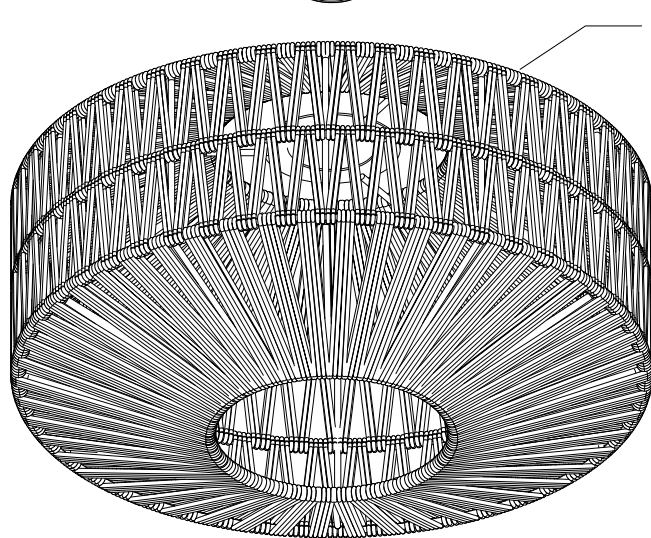


**MOUNTING PLATE**



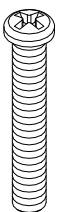
**FIXTURE**

**NUT**



**SHADE**

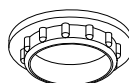
### PART BAG



**X2**



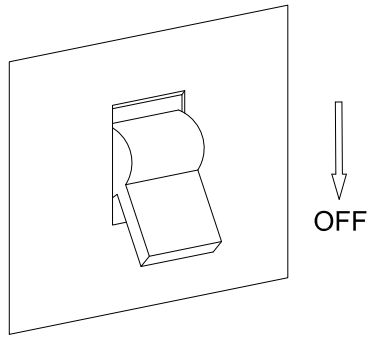
**X3**



**SOCKET RING**

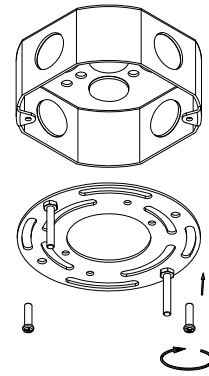
### Step 1

Power off



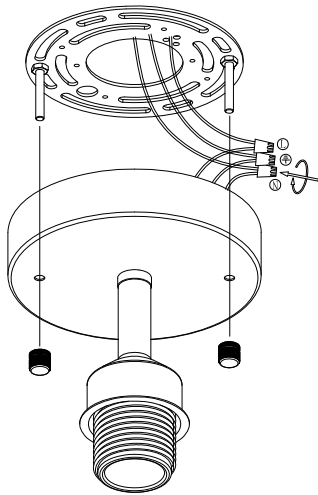
### Step 2

Use the mounting screws to attach the mounting



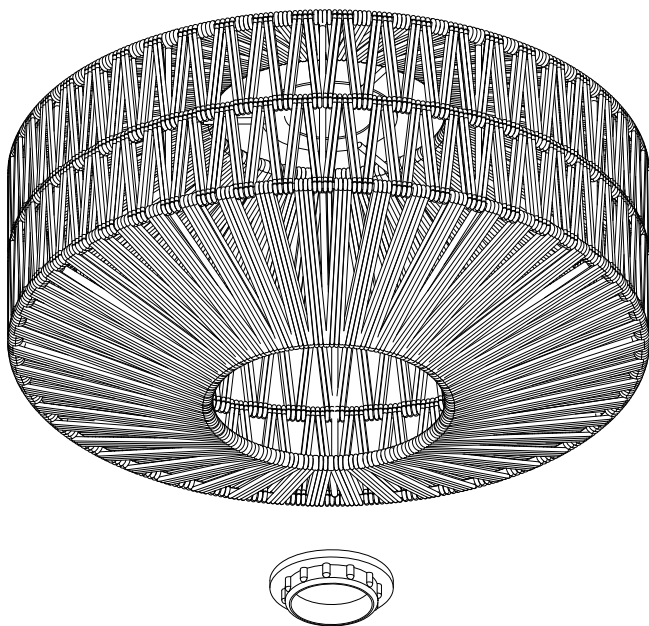
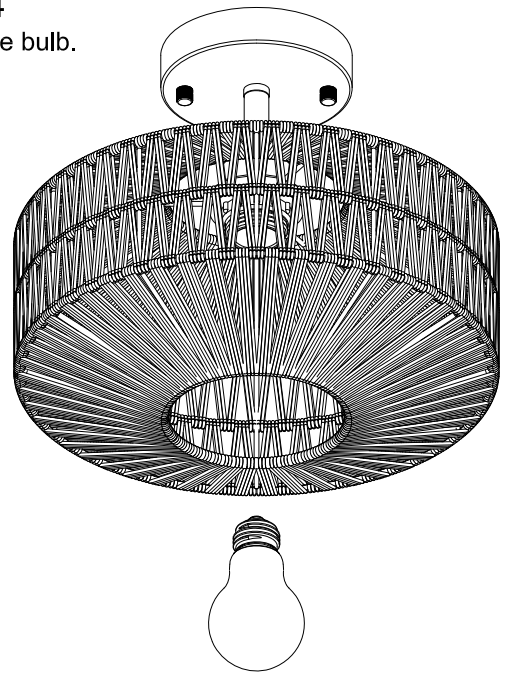
### Step 3

- a. Connect the wire.
- b. Attach the fixture to the mounting plate with the nut
- c. Attach the shade to the mounting plate with the socket ring



### Step 4

Install the bulb.



CEILING LIGHT

