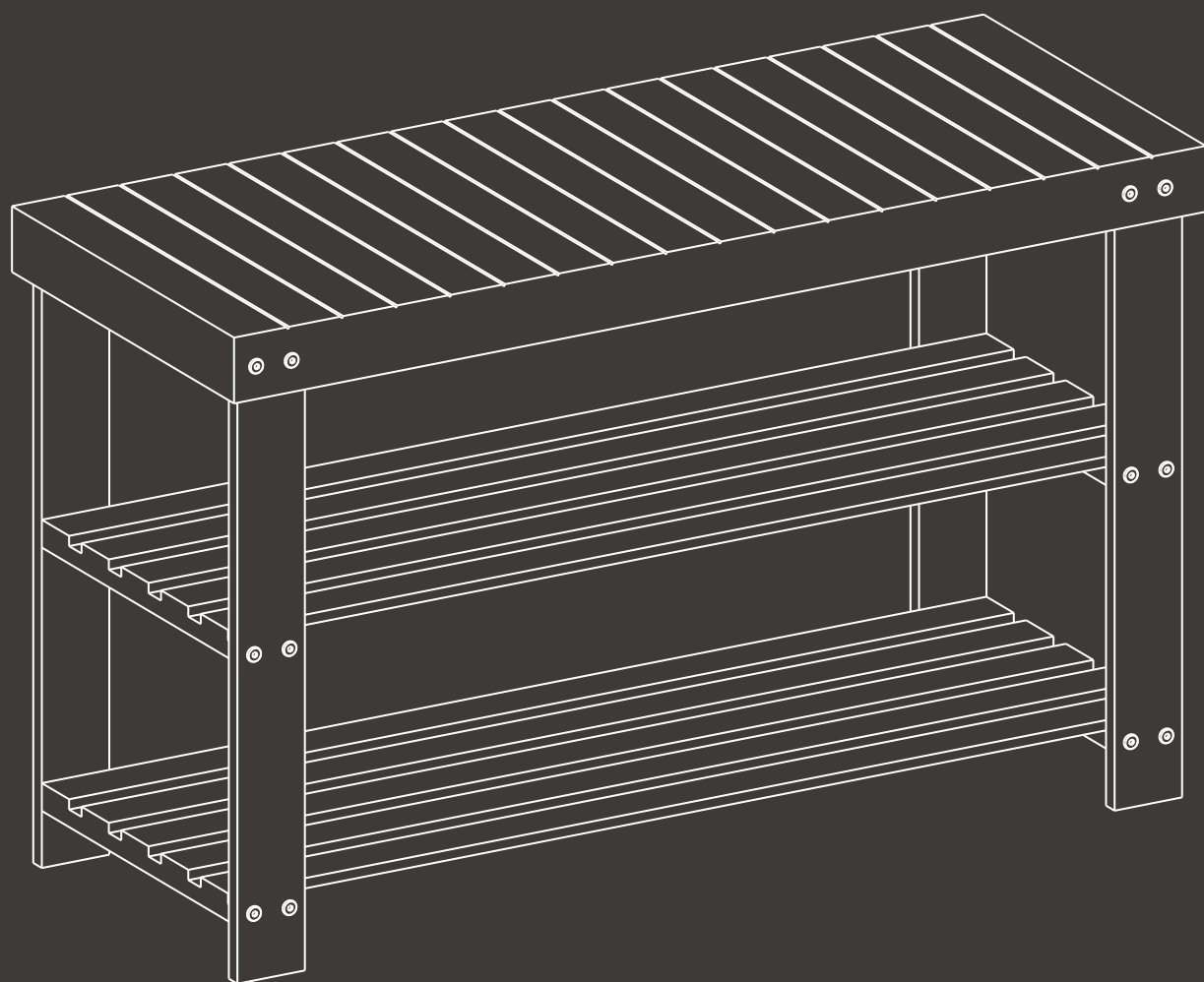


# Shoe Rack Bench

## Instruction Manual



# General Guidelines

---

- Please read the following instructions carefully and use the product accordingly.
- Please keep this manual and hand it over when you transfer the product.
- This summary may not include every detail of all variations and steps to be considered. Please contact us if further information and help are needed.

## Notes

---

- Before assembly, please make sure all accessories are intact. Please handle it gently to avoid bumps, damage, or paint chipping when unpacking the product.
- Due to the nature of bamboo, splinters and cracks may occasionally occur. Please check the product before assembly and use.
- We recommend wearing gloves to prevent splinters when assembling the product.
- Check regularly if there are any loosening screws or parts.
- Do not place it in a humid place to prevent mildew.
- Please do not wash the product. Avoid long periods of sun exposure. If a stain is found, wipe the product with a wet cloth, and dry it in a ventilated place.

## Warnings

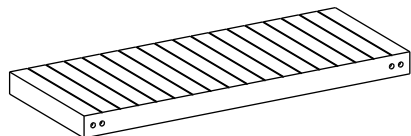
---

- Keep parts and packaging materials away from children and pets, as there could be injury or potential choking hazards.
- Some products are equipped with anti-dumping strap, please install it for safety. No children are allowed to climb, hang, or play around the product to prevent any damage or injury caused by the product falling.

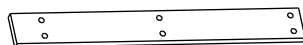
# 1 Component List

---

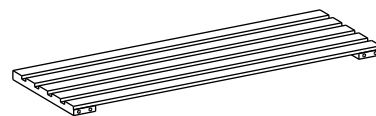
**A** X1



**B** X4



**C** X2



## 2 Hardware

---

**1** X8



M6\*30mm

**2** X16

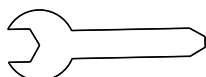


M6\*40mm

**3** X1



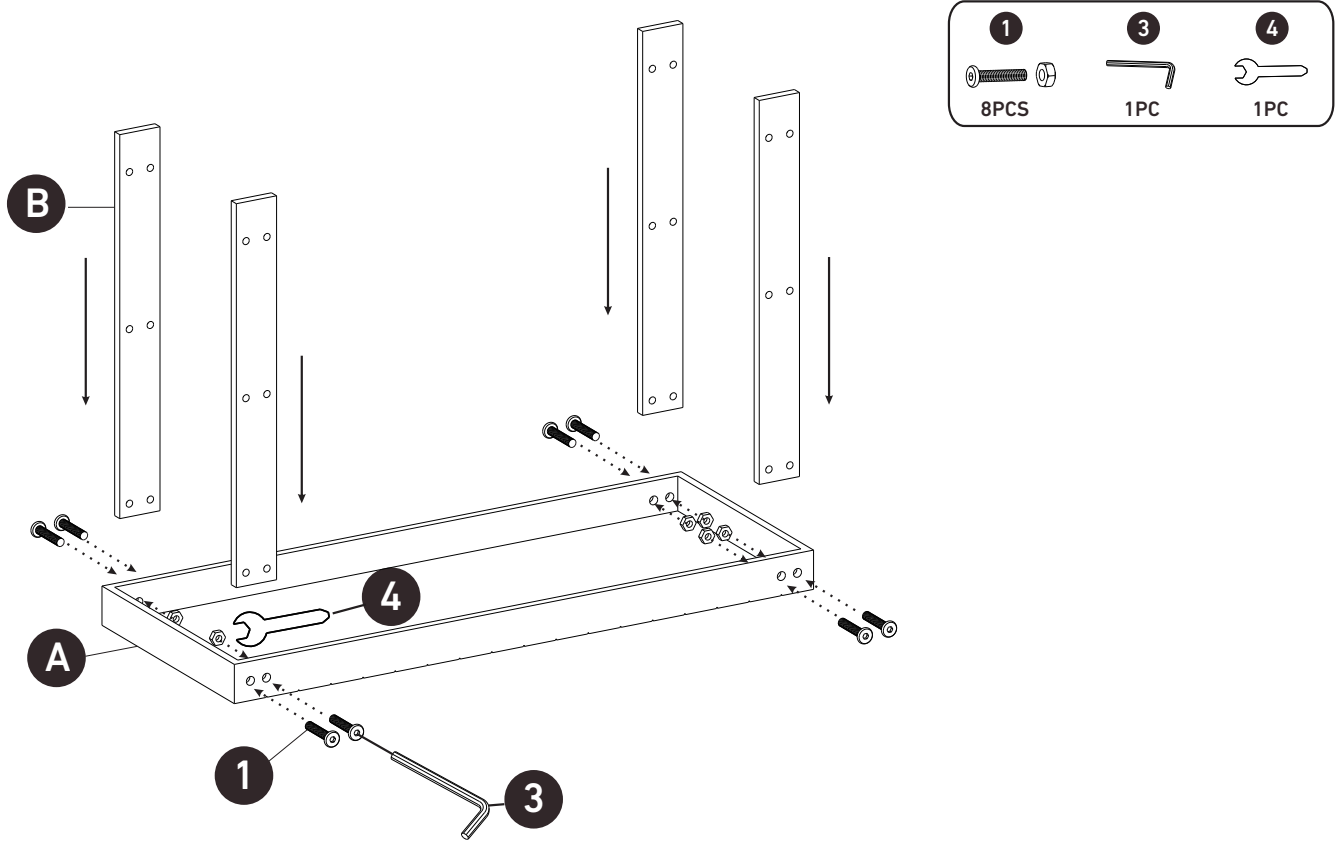
**4** X1



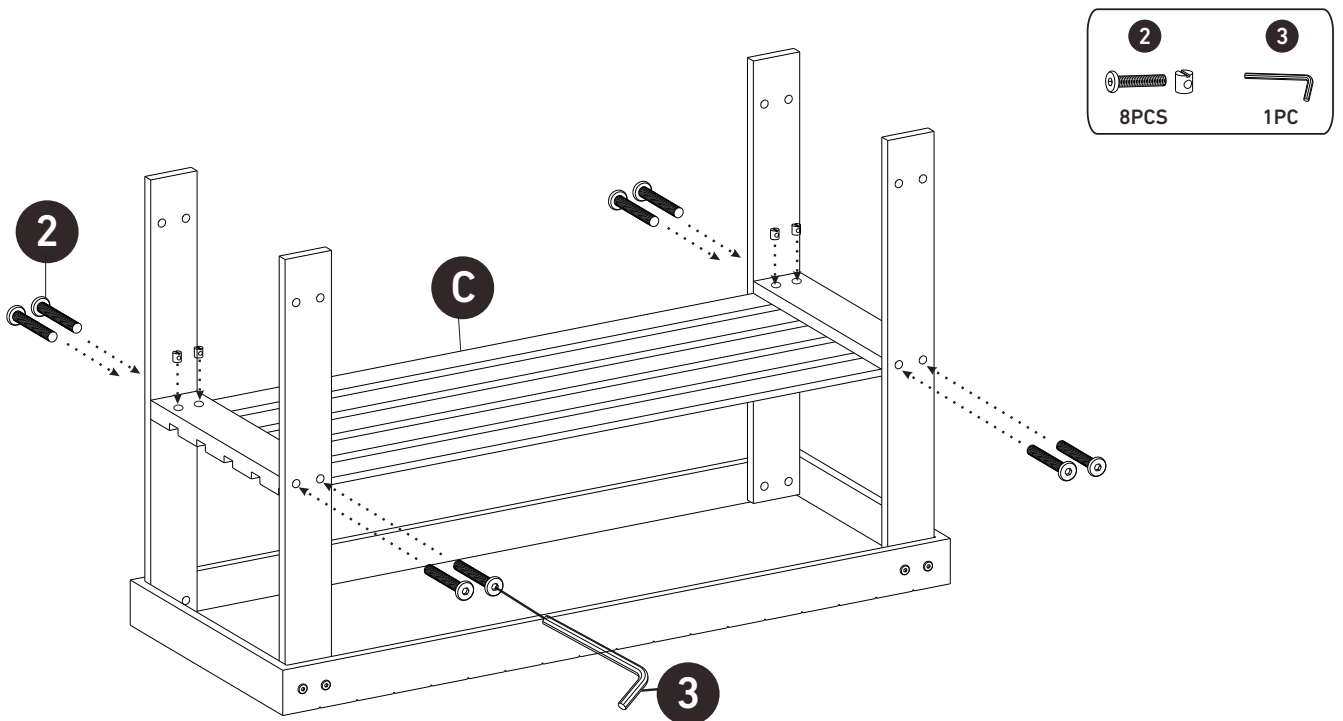
**5** X4



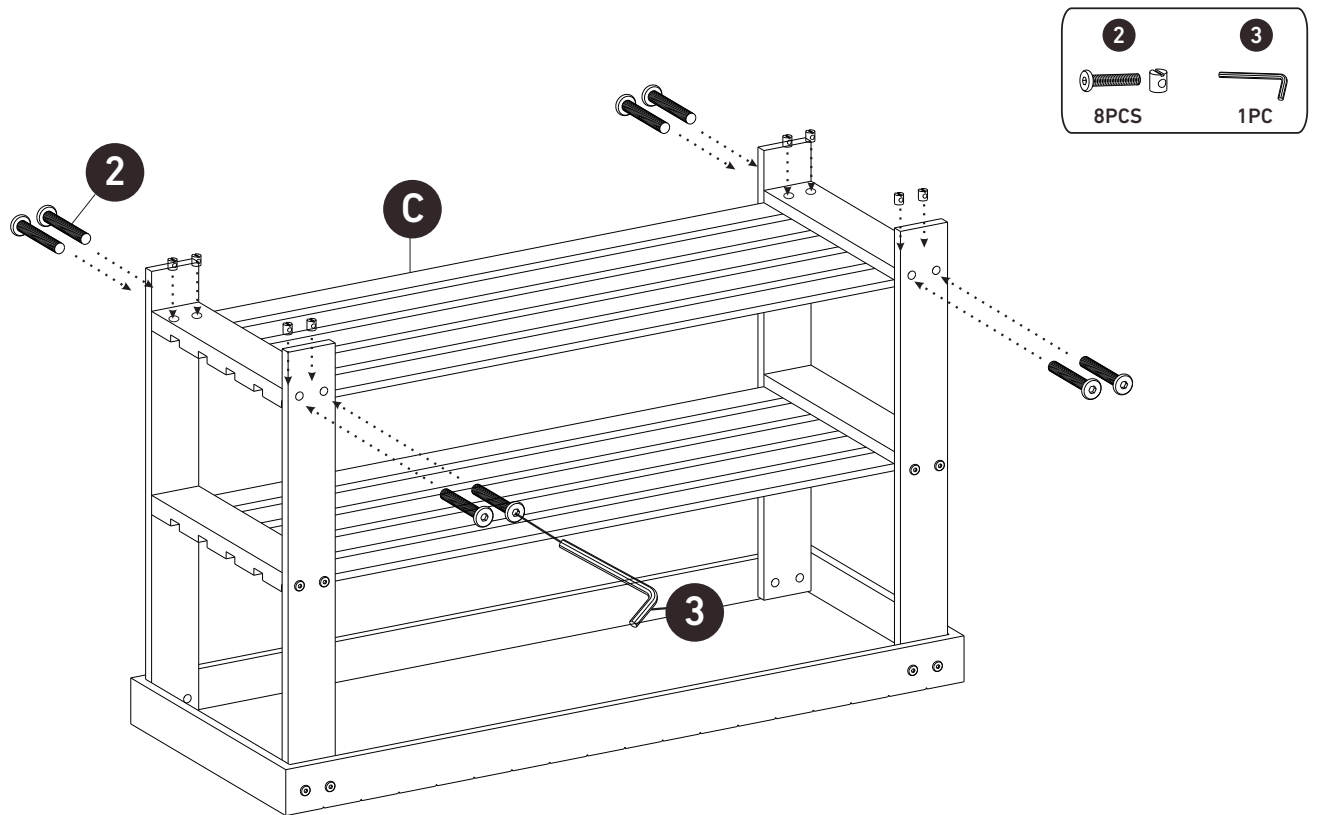
# Step 1



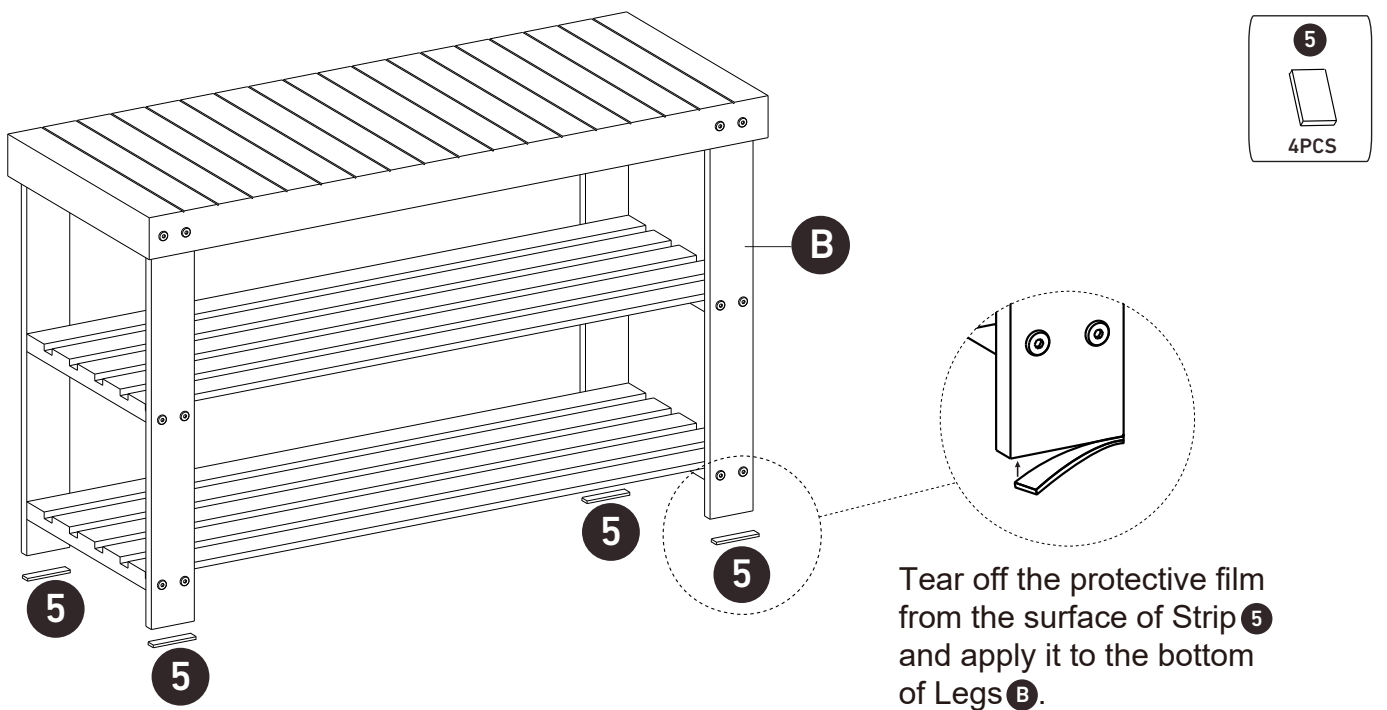
# Step 2



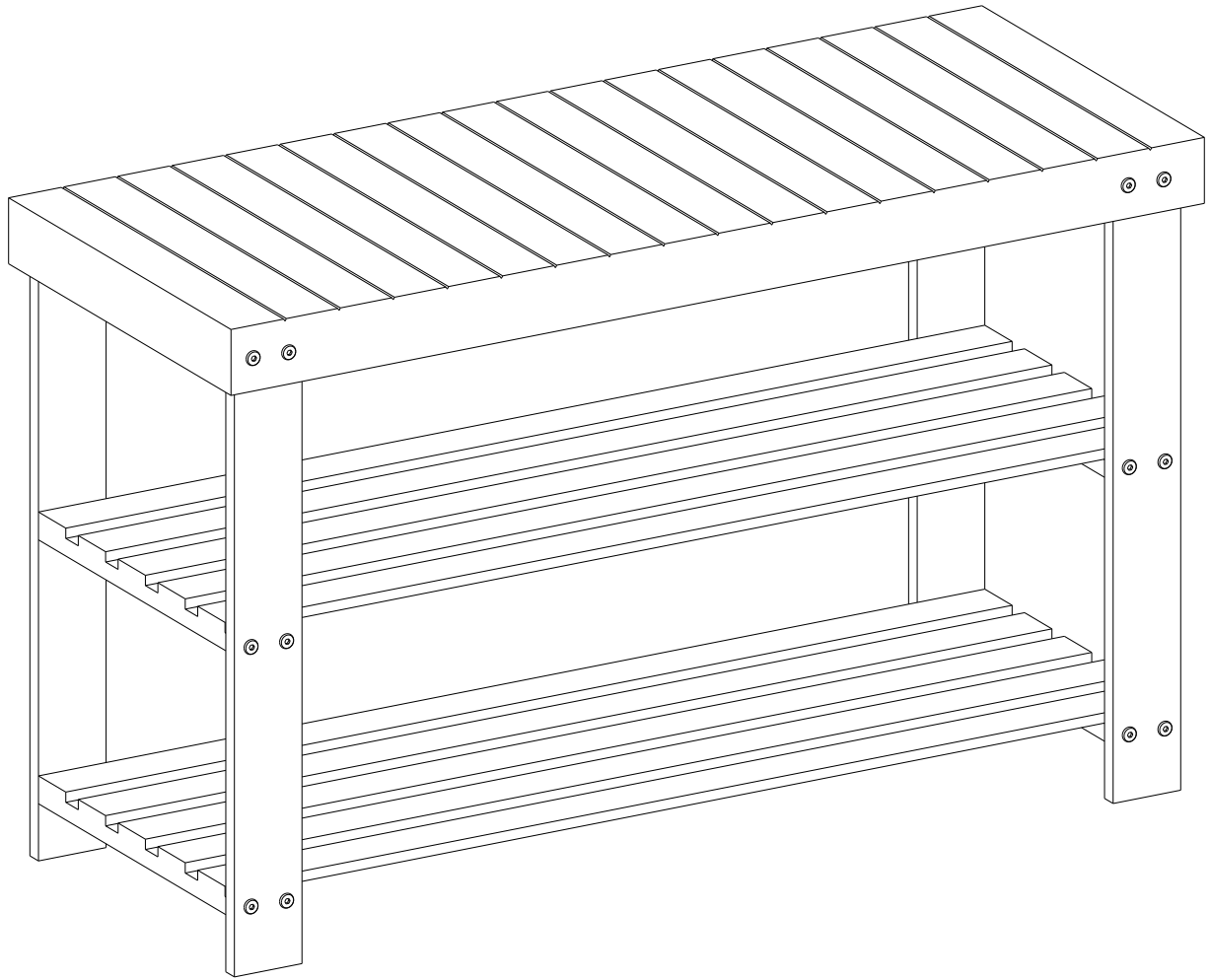
## Step 3



## Step 4



**NOTE:** You may choose whether to attach Strip 5.



Thank you for choosing this product. We strive to provide you with the best quality products and services in the industry. Should you have any issues, please don't hesitate to contact us.