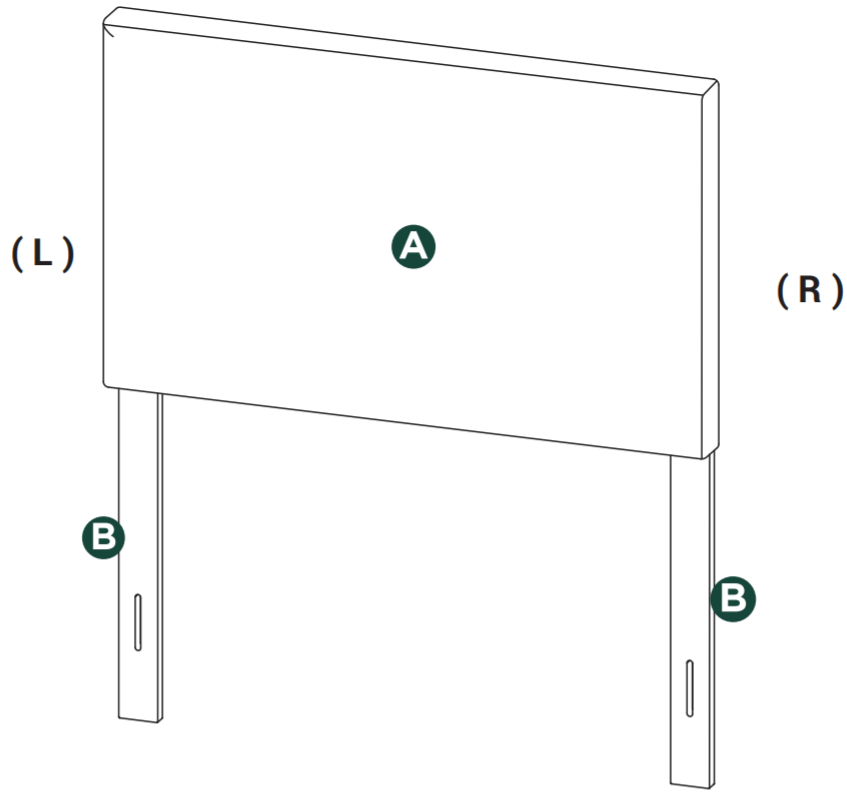


**52201 / 52261**

**Twin Size Headboard**

Revision Number: 01

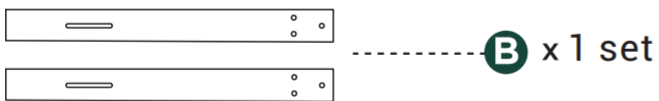
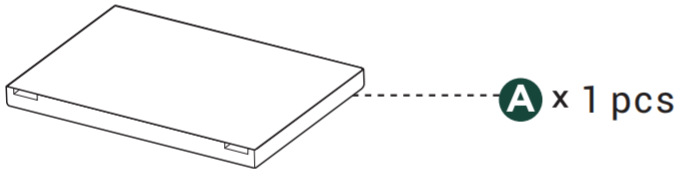
E1340130, E1340137, E1340144  
E1340151, E1340158, E1340165



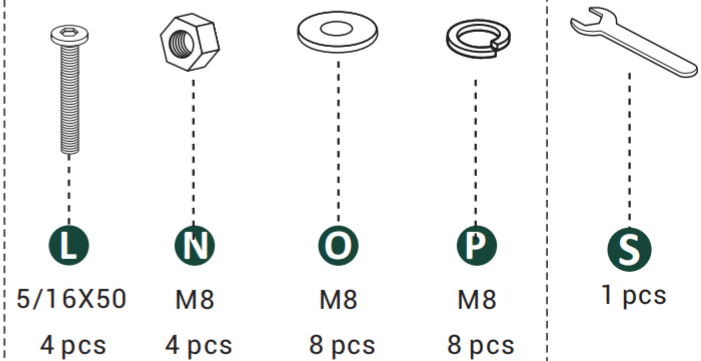
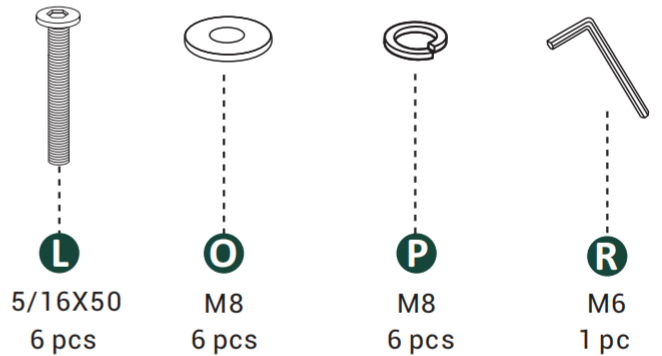
Revision Number: 01

## Headboard

### Components



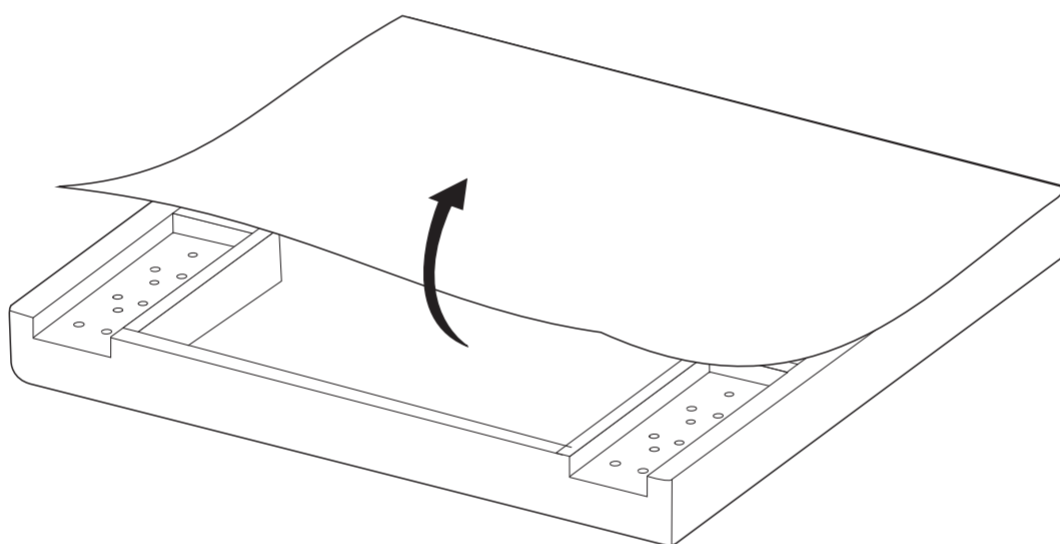
### Hardware



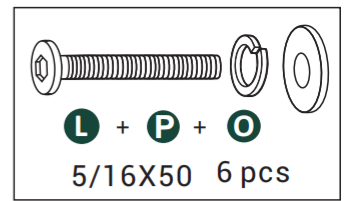
Note: Hardware to assemble to bed frame.

**CAUTION:** When placing furniture on non-carpeted flooring, we recommend the use of floor protection such as an area rug or furniture pads. Area rugs and padding not included with purchase.

## Remove parts from headboard compartment



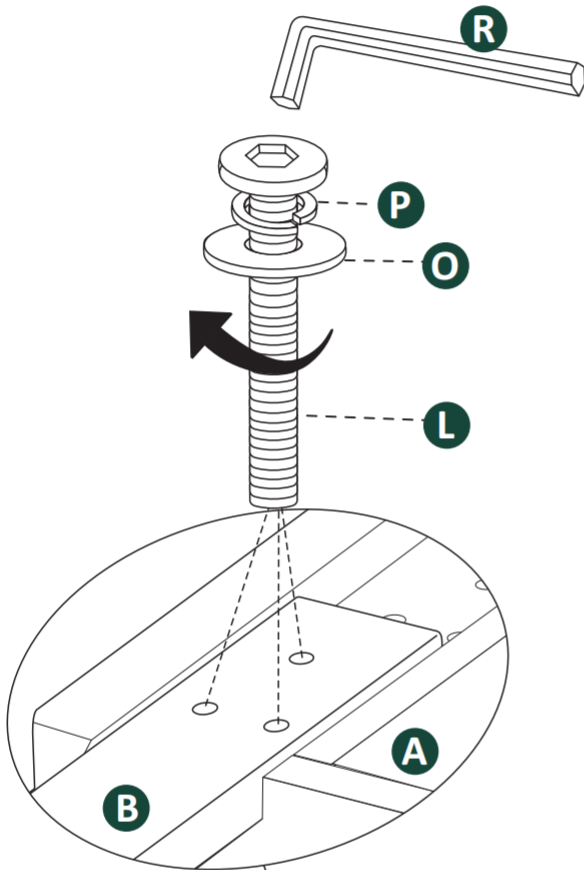
# 1.



**Note:** Headboard height can be adjusted to 3 positions.

Use upper holes for a thin mattress or lower holes for a thick mattress.

Select the proper position for your desired bed height.



Attach (P) and (O) washers to (L) bolts.  
Connect the legs (B) to back of headboards (A). Use the bolts to attach. Tighten with Allen key (R).

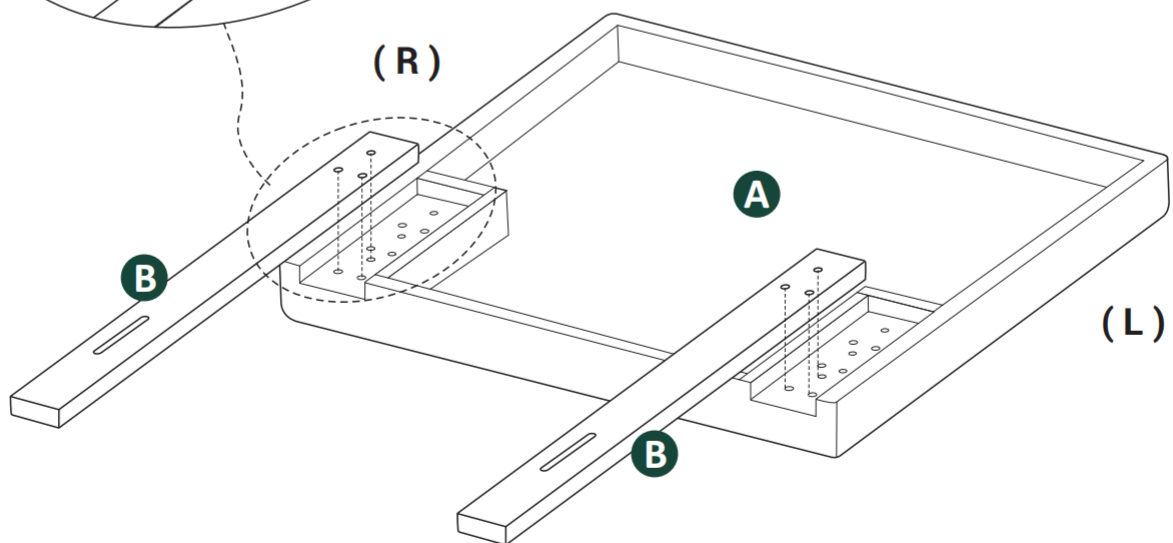
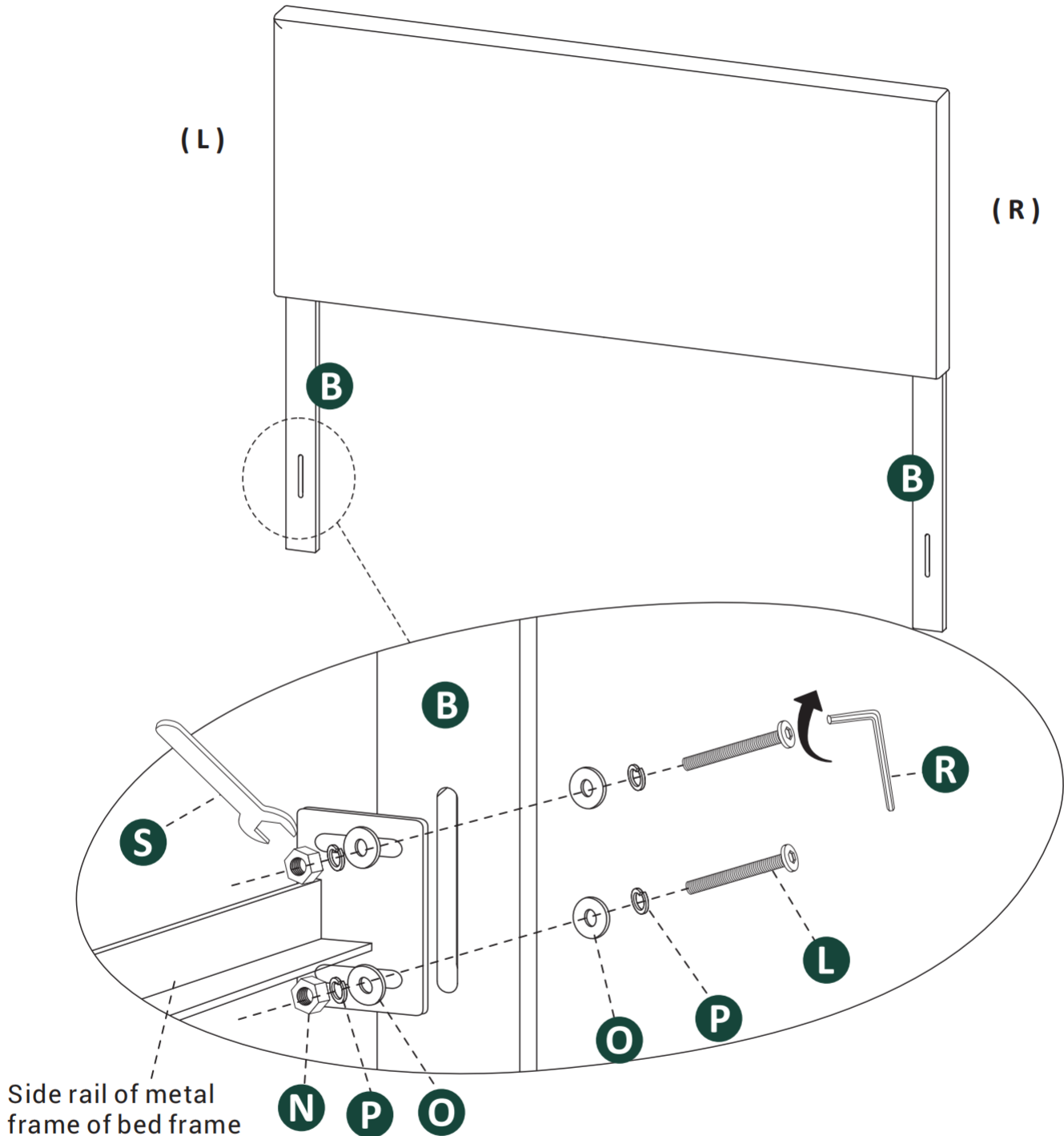


Figure shown without  
back cover fabric

- 2.** Attach (P) and (O) washers to bolts (L). Hold the bolts (L) steady with the Allen key (R). Attach (O) washers and (N) nuts to the other side of the bolts as shown below. Tighten the nuts (N) against the bed frame bracket with the wrench (S). (Bed frame is not included.)



**Finished**