

Velvet Upholstered Bed with Gold Trim

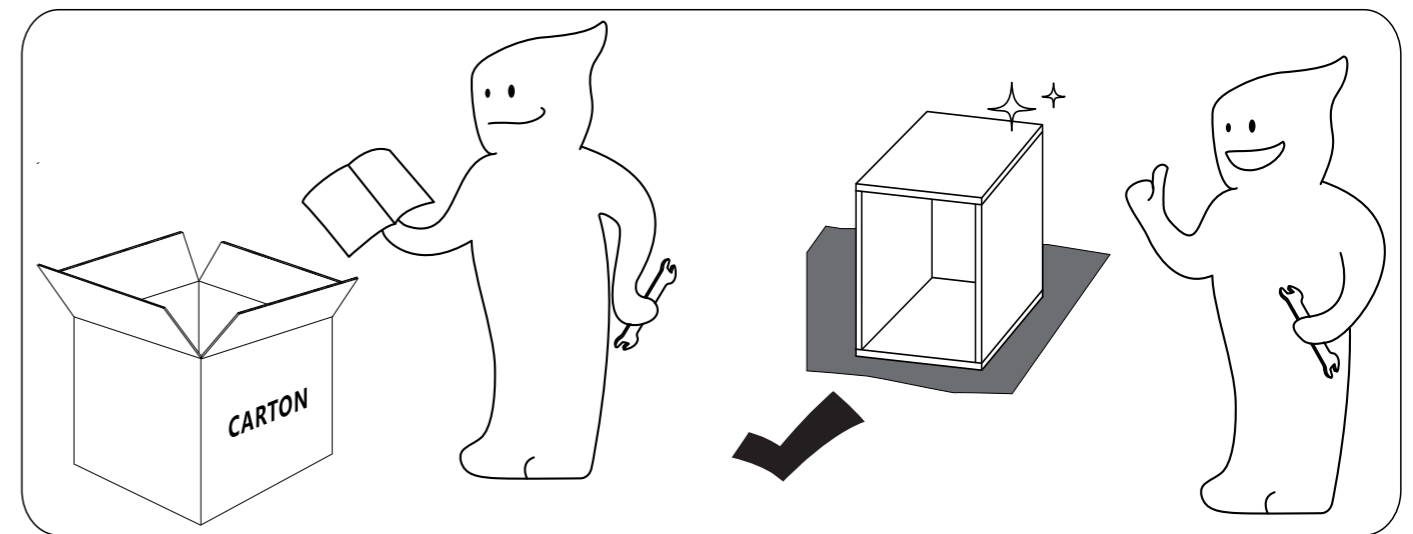
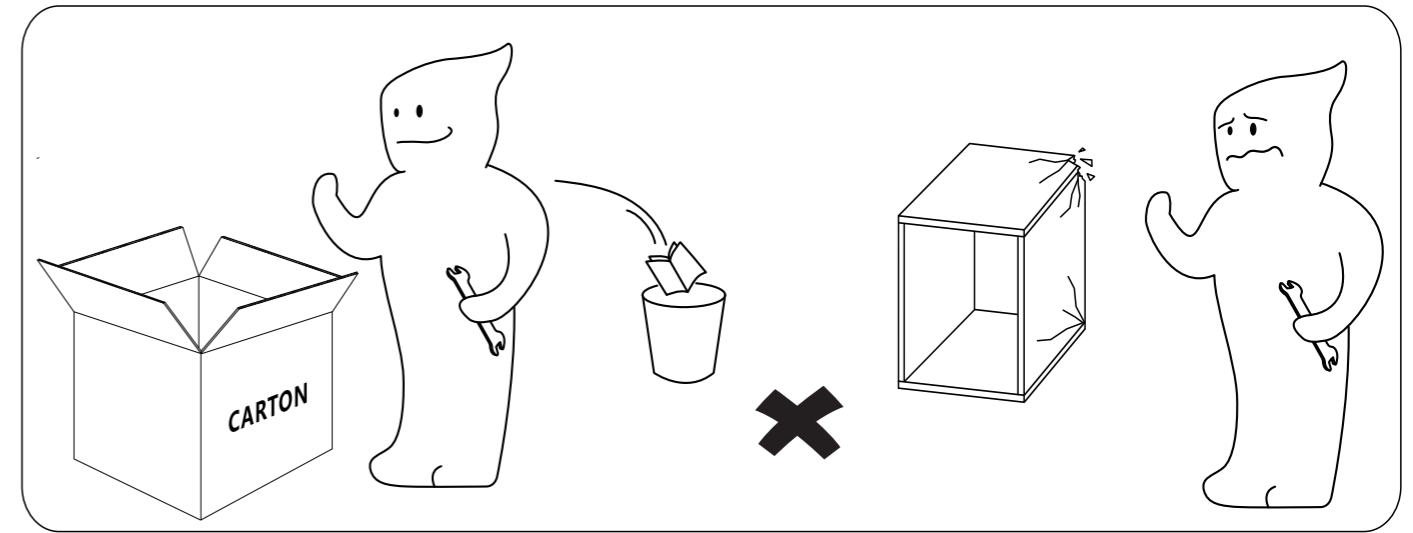


Friendly Customer Service

Satisfaction Guarantees: Any problems with assembly, quality, or return, please feel free to contact us directly.



Please follow the instruction manuals and use a pad to protect the product during your assembly.



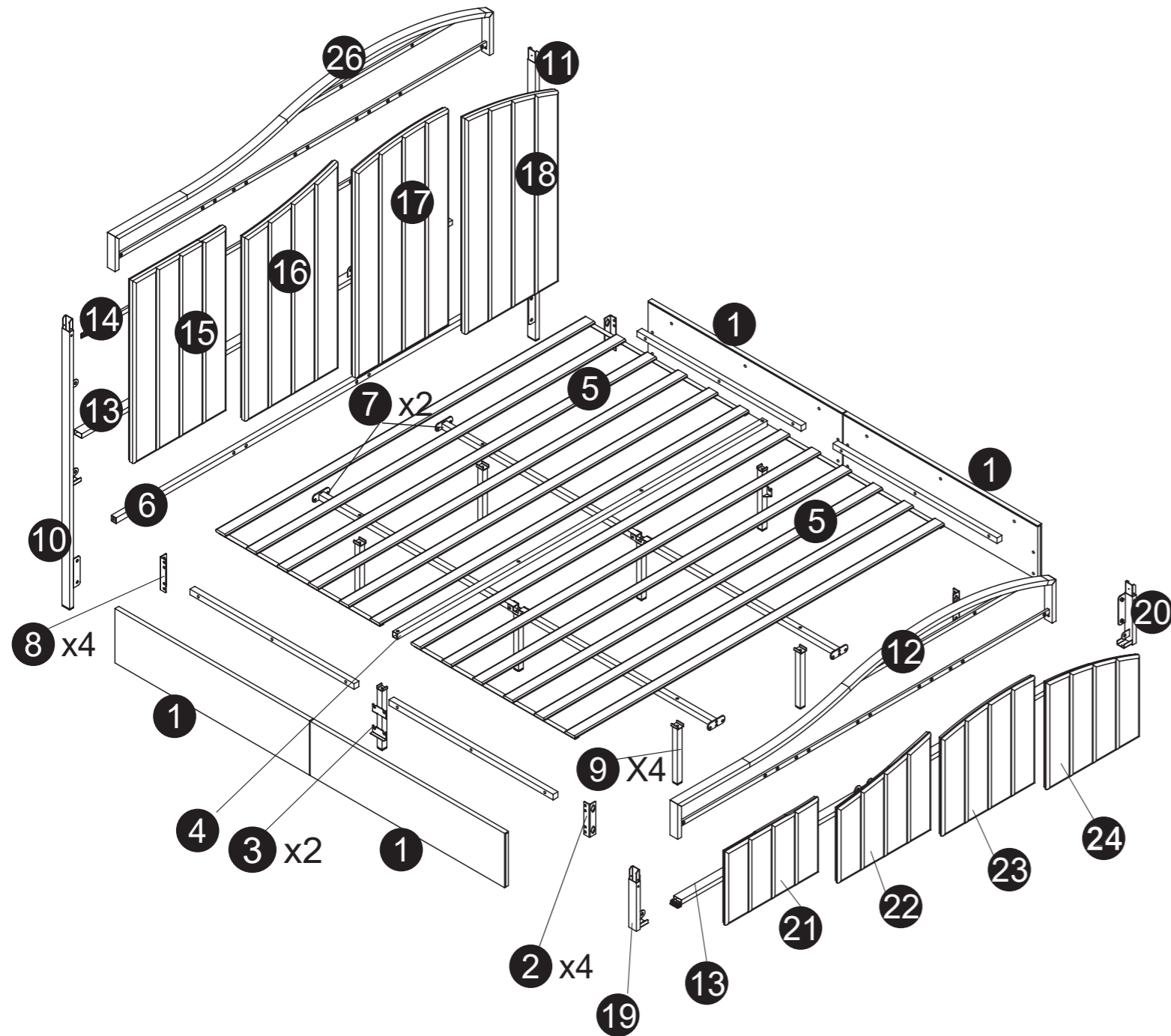
Note:

1. Should be assembled on flat ground to keep balance.
2. Before completing the installation, do not tighten the screws.



For easier and better assembly, **2** or more adults are required.

ASSEMBLY INSTRUCTIONS

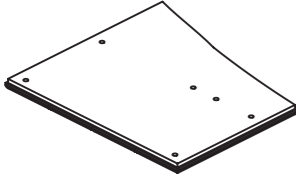
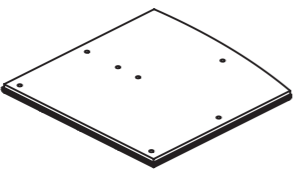
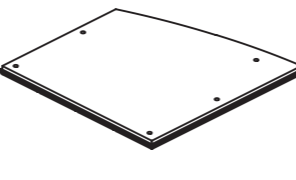
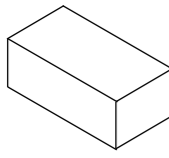
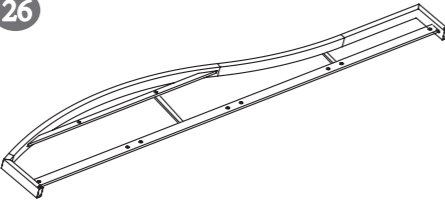

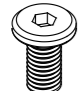



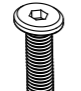



ASSEMBLY INSTRUCTIONS

PARTS LIST

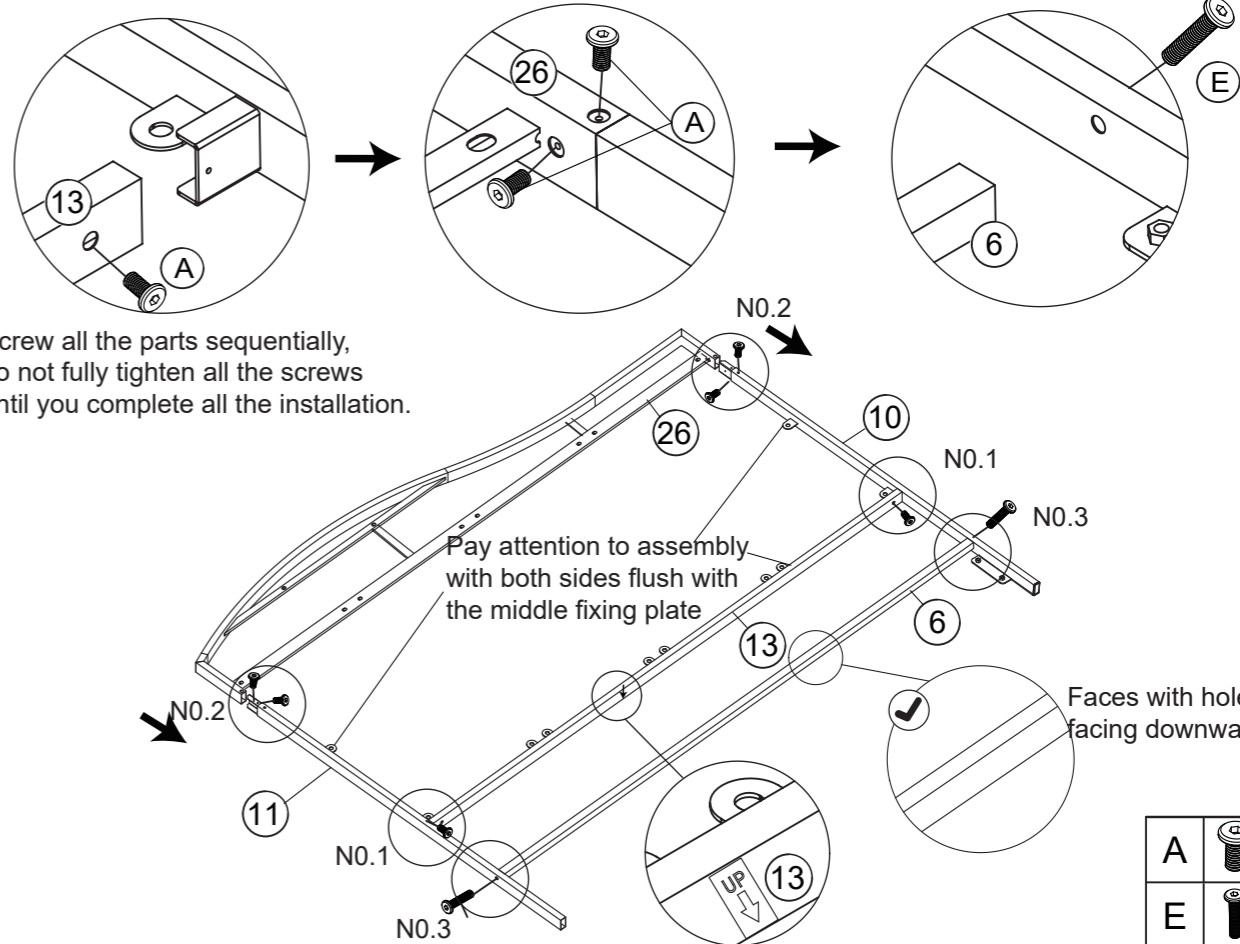
1 4PCS	2 4PCS	3 2PCS
4 1PC	5 2PCS	6 1PC
7 2PC	8 4PCS	9 4PCS
10 1PC	11 1PC	12 1PC
13 2PCS	14 1PC	15 1PC
16 1PC	17 1PC	18 1PC
19 1PC	20 1PC	21 1PC

ASSEMBLY INSTRUCTIONS

<p>22</p>  <p>1PC</p>	<p>23</p>  <p>1PC</p>	<p>24</p>  <p>1PC</p>
<p>25</p>  <p>4PCS</p>	<p>26</p>  <p>1PC</p>	<p>A</p>  <p>M8*14 28PCS</p>
<p>B</p>  <p>M8*20 46PCS</p>	<p>C</p>  <p>M8*30 8PCS</p>	<p>D</p>  <p>Black Zinc M8*25 4PCS</p>
<p>E</p>  <p>M8*38 20PCS</p>	<p>F</p>  <p>Black Zinc M8*50 2PCS</p>	<p>G</p>  <p>1PC</p>

ASSEMBLY INSTRUCTIONS



1



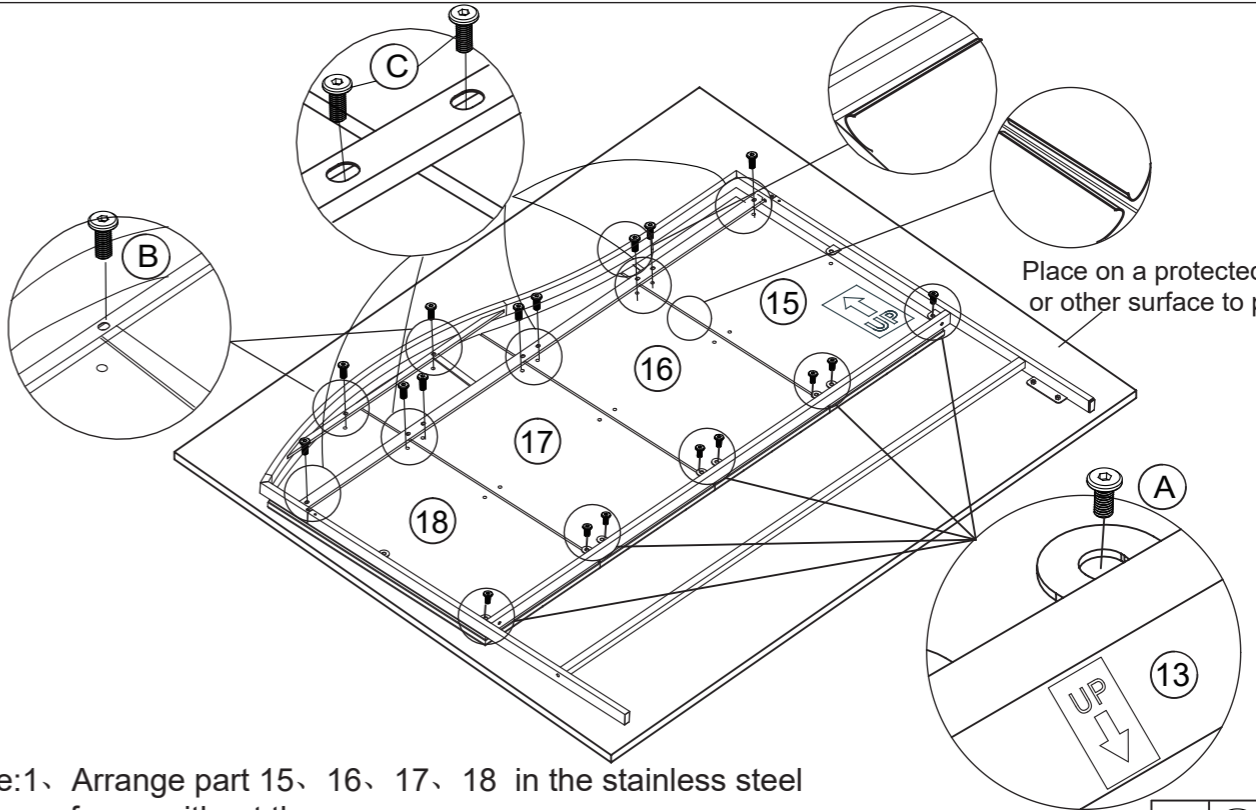
Screw all the parts sequentially, do not fully tighten all the screws until you complete all the installation.

Pay attention to assembly with both sides flush with the middle fixing plate

Faces with holes facing downwards

A		6PCS
E		2PCS

2






Place on a protected carpet or other surface to prevent dirtying

Note:1、 Arrange part 15、 16、 17、 18 in the stainless steel frame without the screws;

2、 Keep the non-woven frills on the back of the headboard tidy, don't clipped in the crevices of each part

3、 Screw all the parts sequentially, do not fully tighten all the screws until you complete all the installation.

A		8PCS
B		2PCS
C		8PCS

3

Pay attention to the assembly direction of the L-piece

Tear off the adhesive and stick it to the back

A		2PCS
B		6PCS

5

- Note:1: First assemble components 19,20,13, and finally assemble component 12
 2. Screw all the parts sequentially,do not fully tighten all the screws until you complete all the installation.

The screws here do not need to be assembled

Install screws and do not fully tighten them.

Pay attention to assembly with both sides flush with the middle fixing plate

A		4PCS
B		4PCS

4

X2

Velcro

E		12PCS
B		16PCS

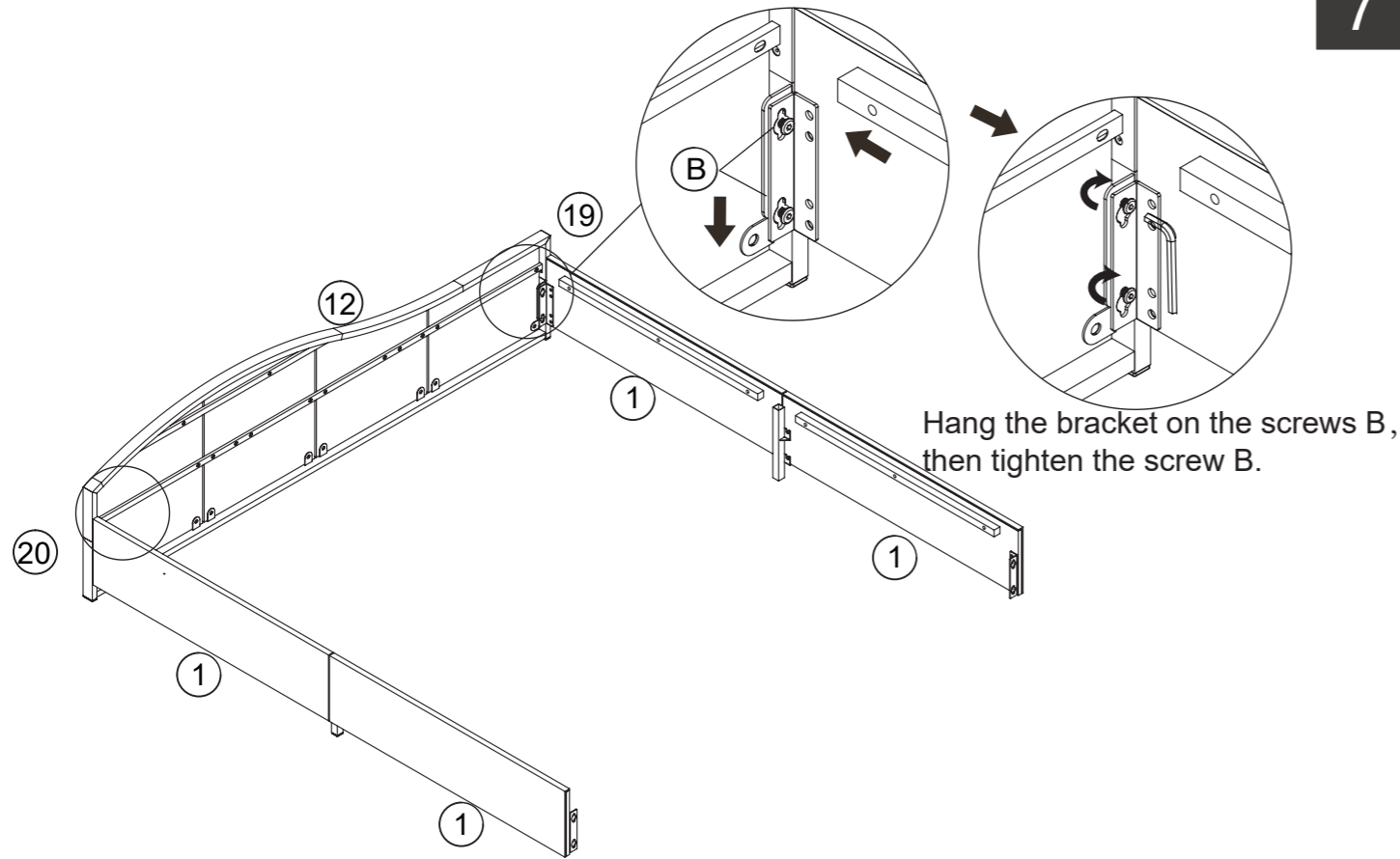
6

Place on a protected carpet or other surface to prevent dirtying

A		8PCS
B		10PCS

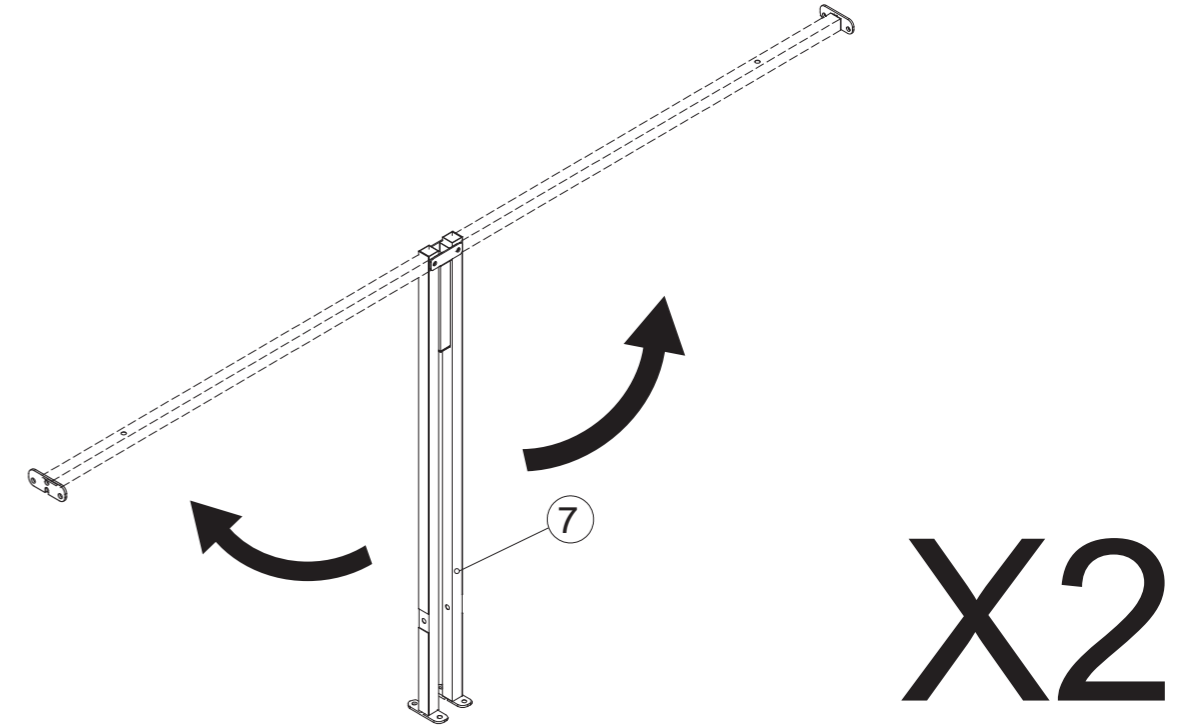
- Note:1. Arrange part 21. 22. 23. 24 in the stainless steel frame without the screws;
 2. Keep the non-woven frills on the back of the headboard tidy,don't clipped in the crevices of each part
 3. Screw all the parts sequentially,do not fully tighten all the screws until you complete all the installation.

7

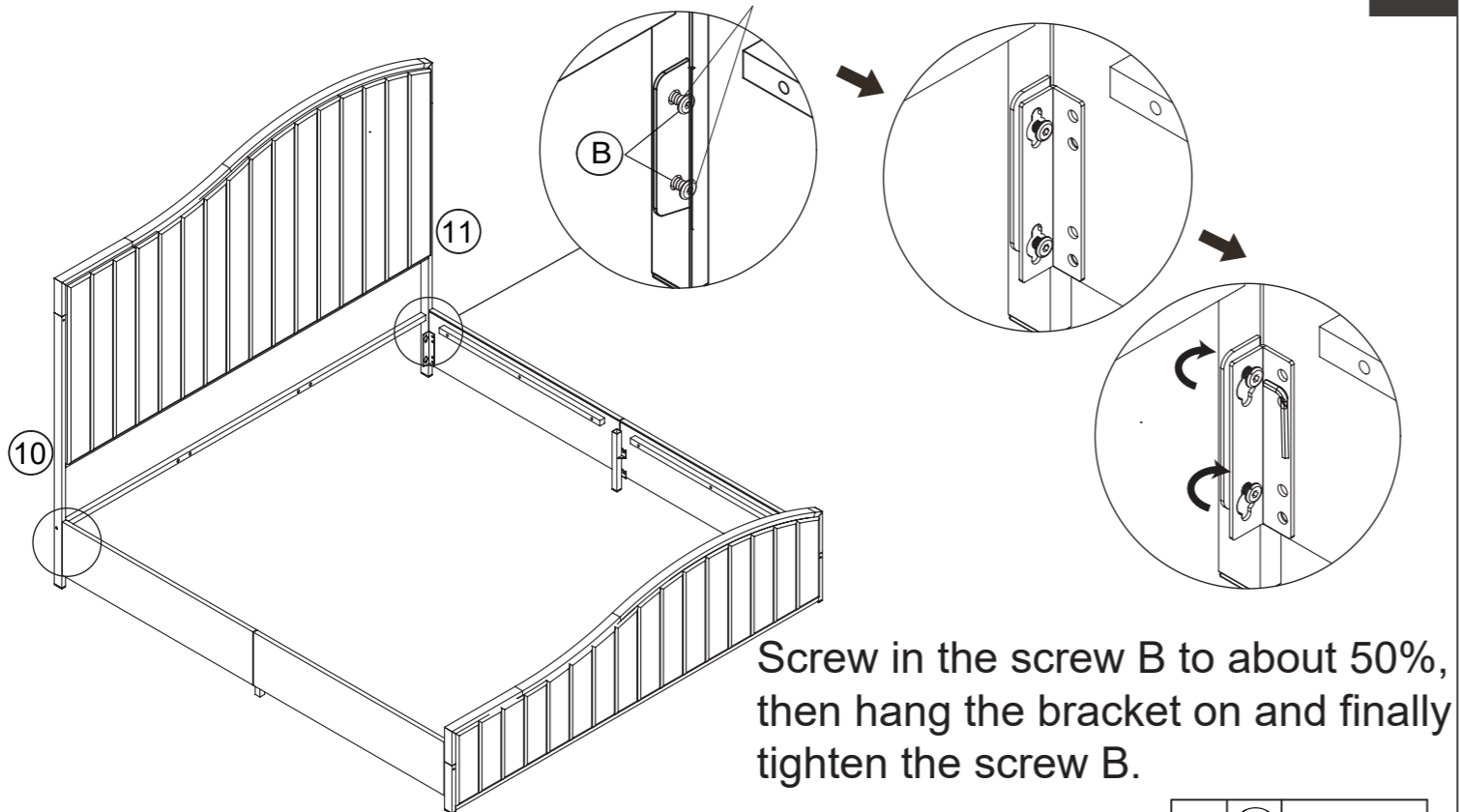


9

WARNING!
Moving parts can crush or cut.
Keep fingers, hands, and feet away to avoid injury.

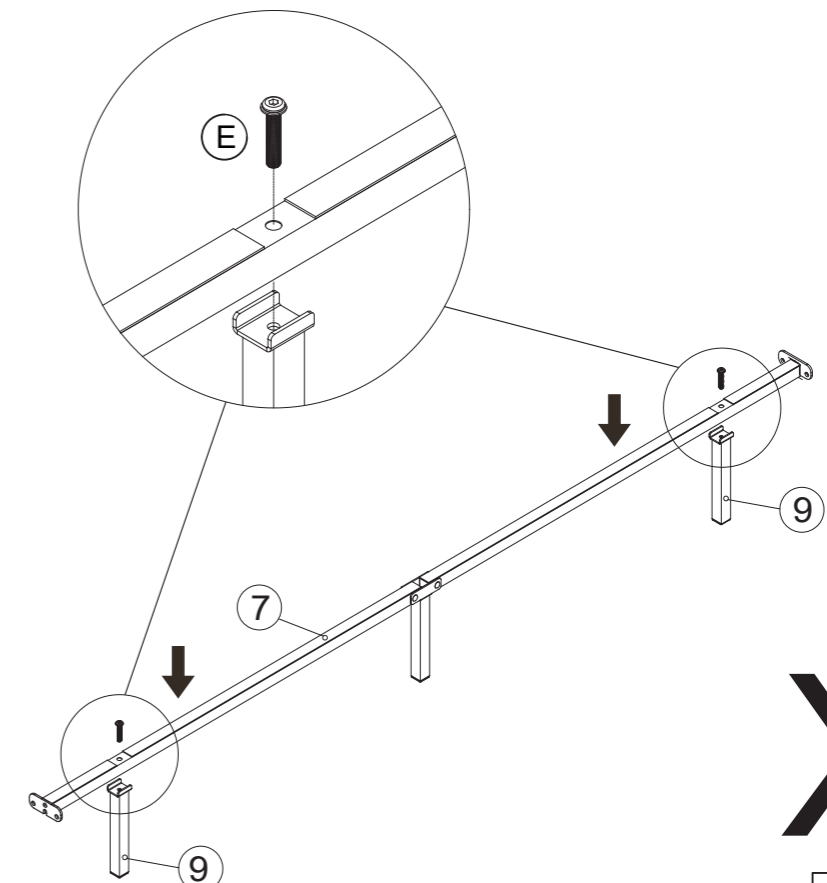



8



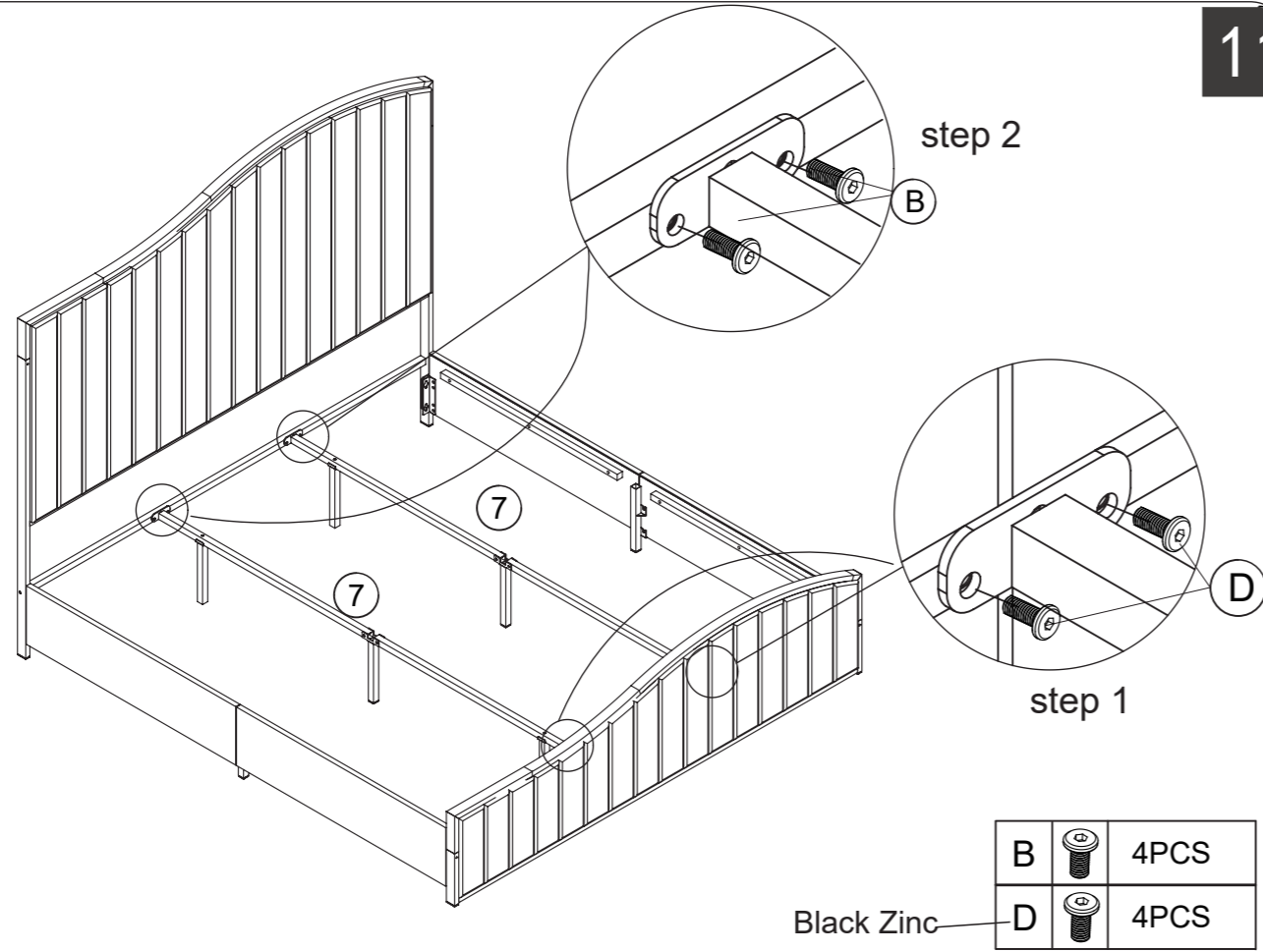
B  4PCS

10

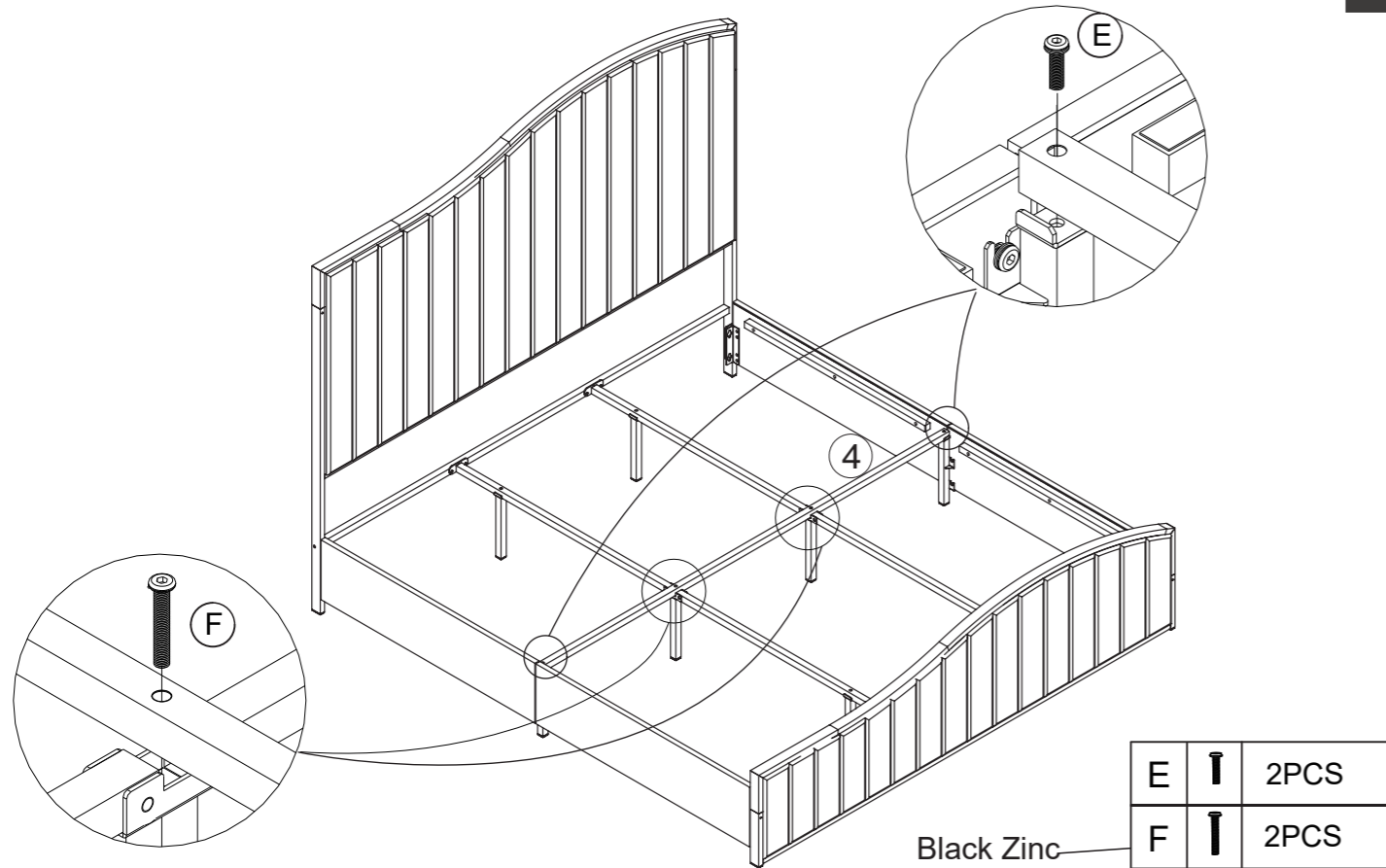


E  4PCS

11



12



13

