

BLU
DOT

PERIMETER

ASSEMBLY NOTES

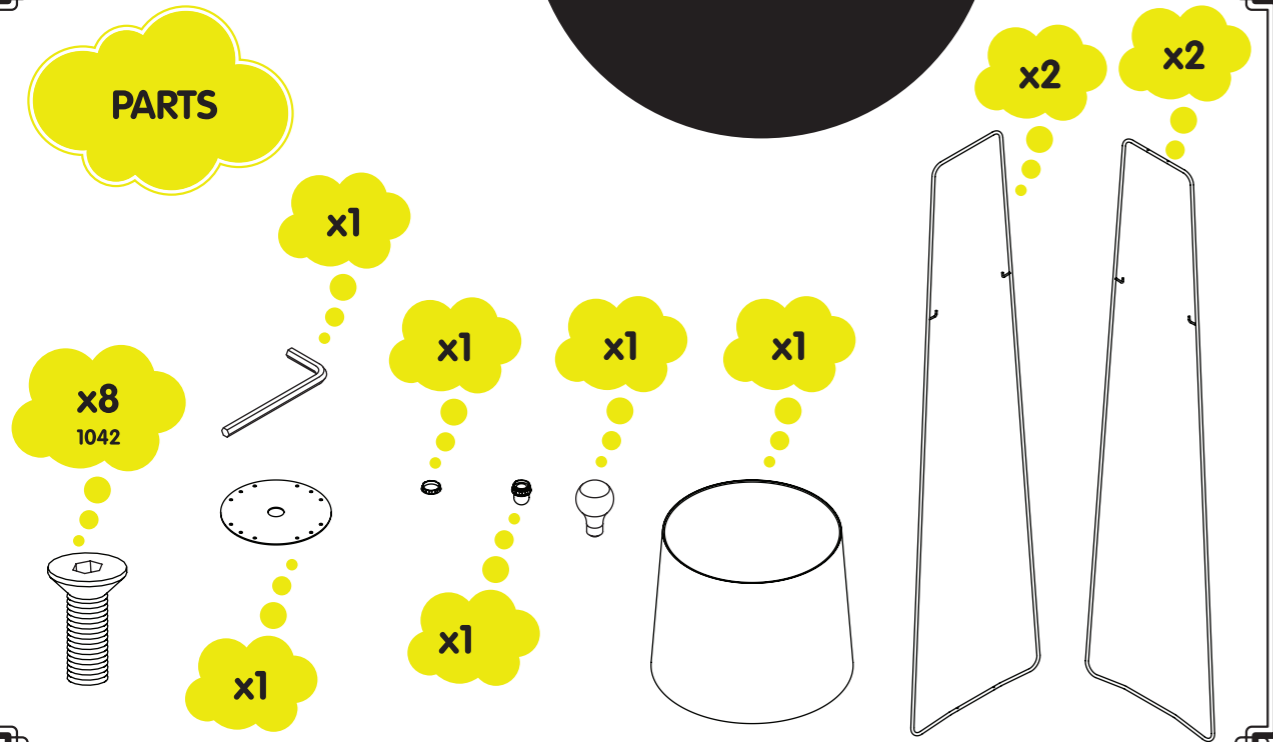
LOOP DE LOOPS IN
SIX EASY STEPS



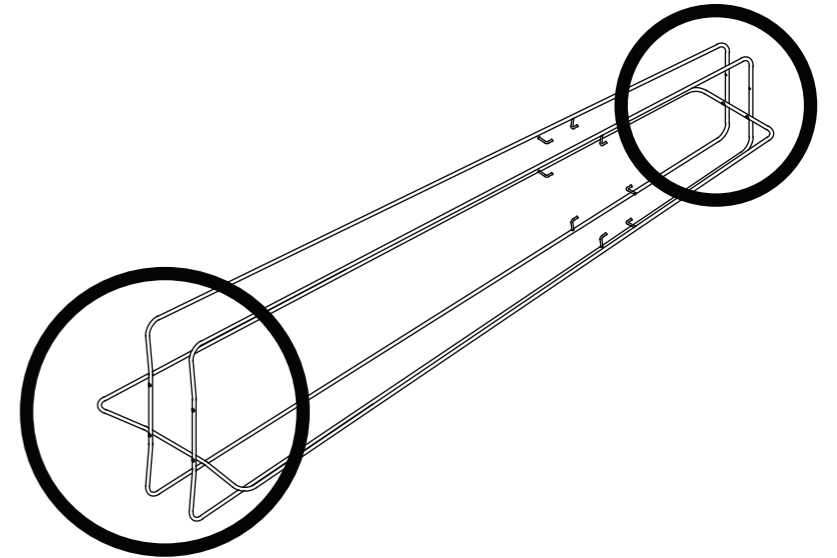
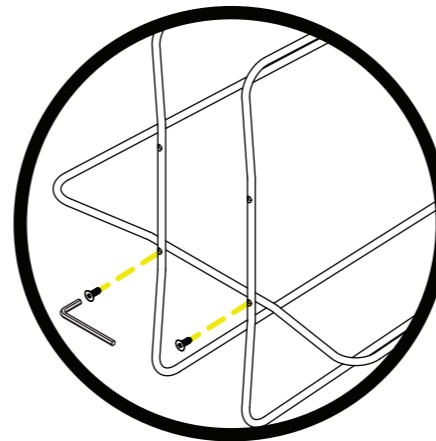
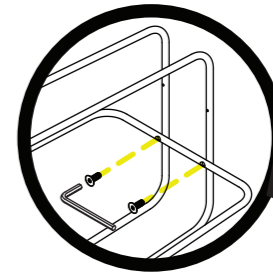
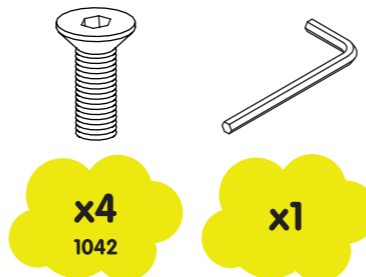
CARE

Clean with a soft cloth or sponge using a mild detergent, such as dish soap, and warm water. Wipe completely dry with a soft cloth.

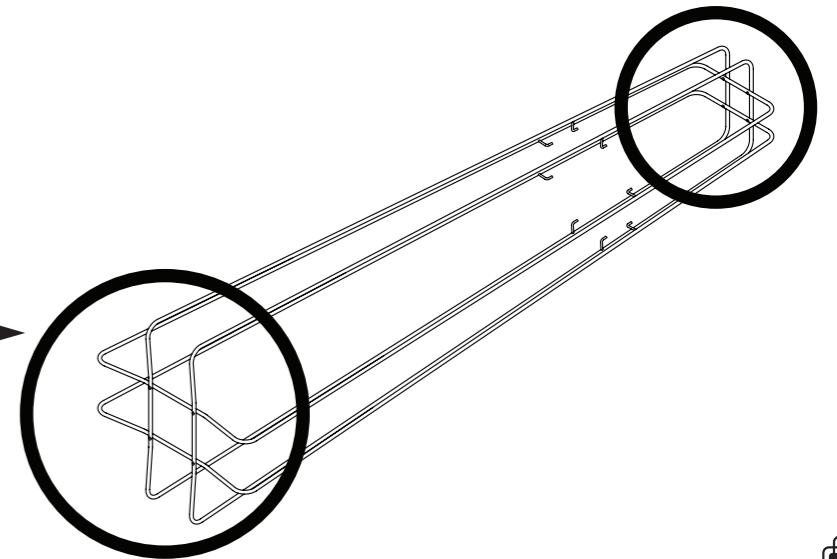
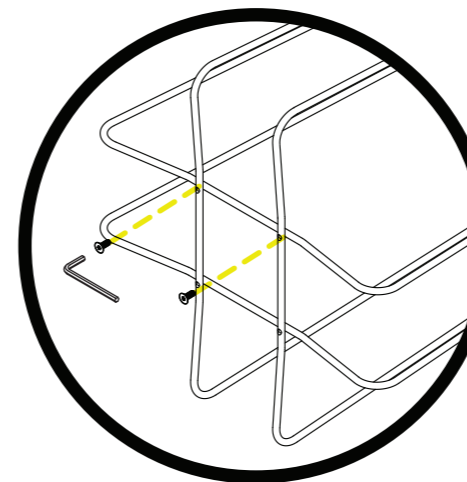
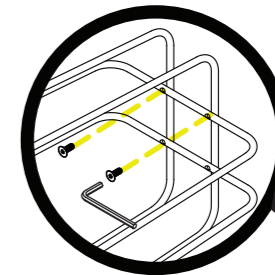
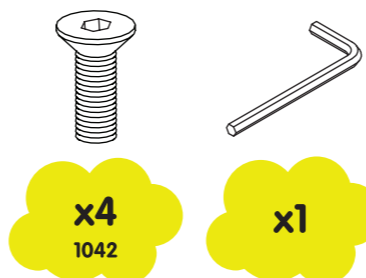
PARTS



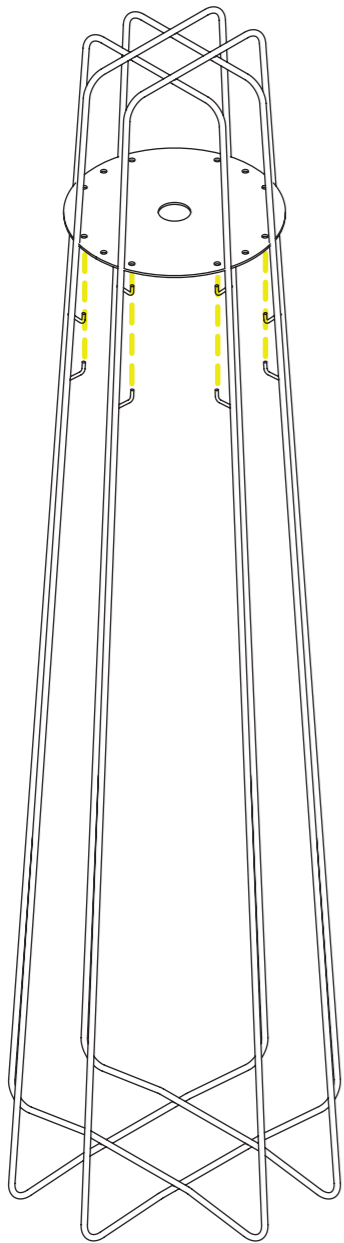
1



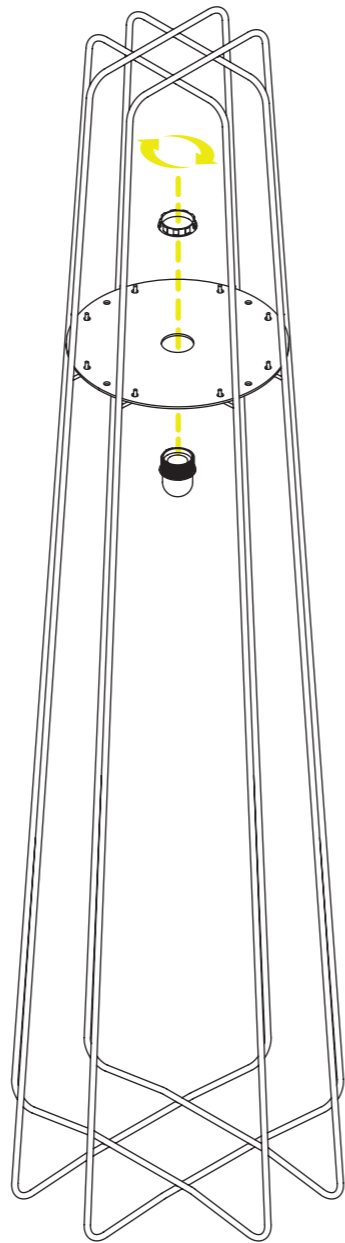
2



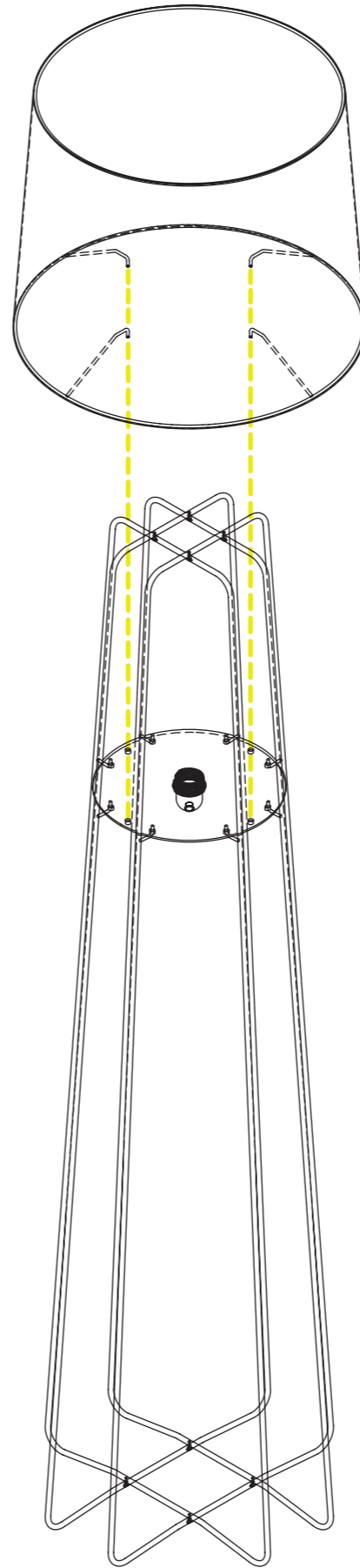
3



4



5



6

BULB
Maximum
100 watt incandescent
or 23 watt CFL

