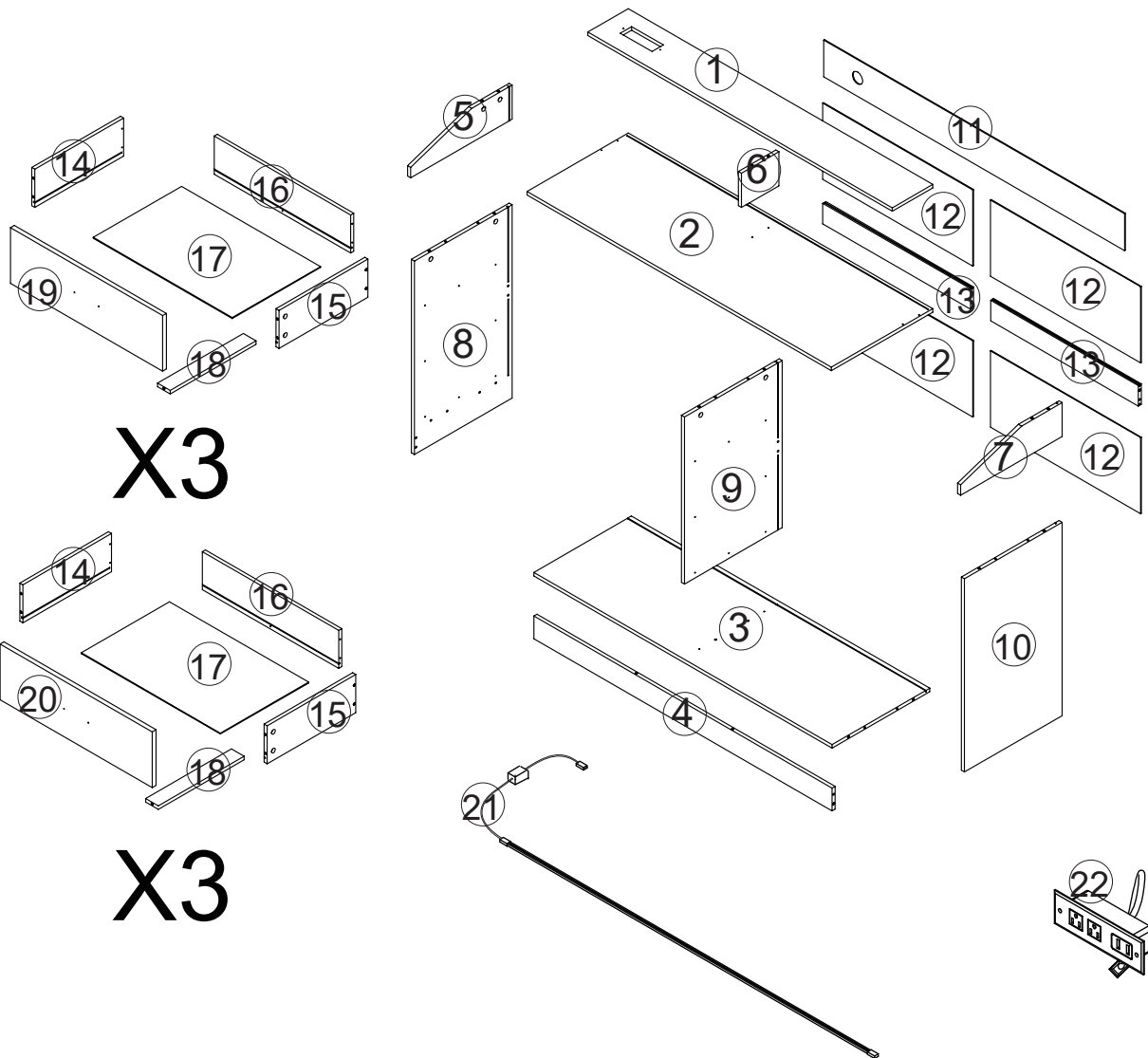


Tools required
(not included)




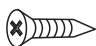


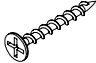







2 people for assembly

PRODUCT ASSEMBLY



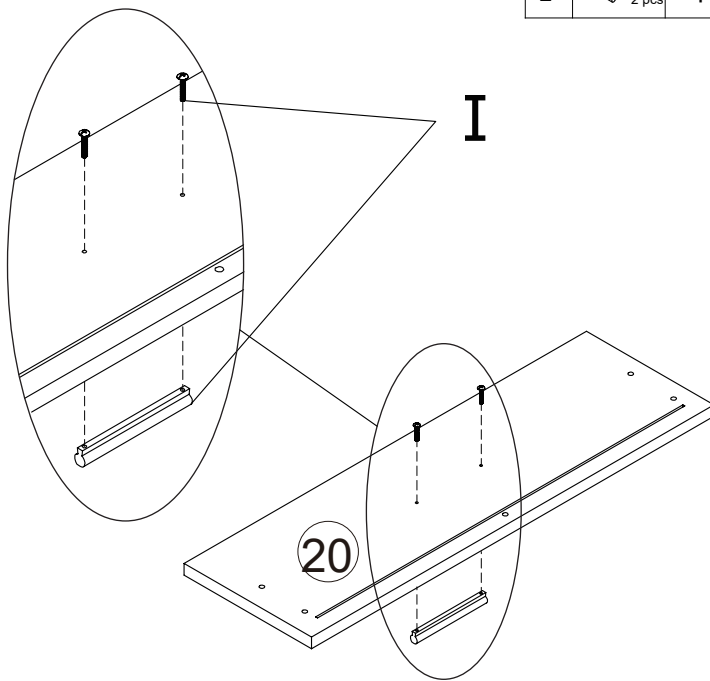
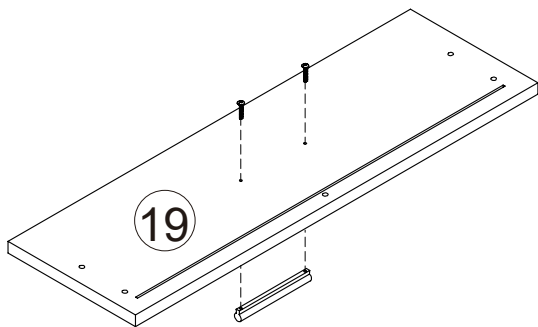
Hardware List

A		84 pcs +6pcs	G		6 pcs			
B		16 pcs +1pcs	H		36 pcs +4pcs			
C		1 pcs	I		2 pcs	6 sets		
D		68 pcs +5pcs	J		16 sets +1sets			
E		28 pcs +2pcs	K		4 pcs			
F		2 pcs	L		2 sets			

PRODUCT ASSEMBLY

Step 1

I  2 pcs  6 pcs

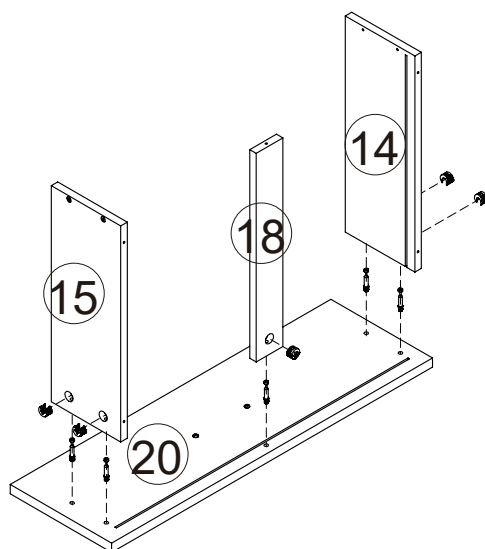
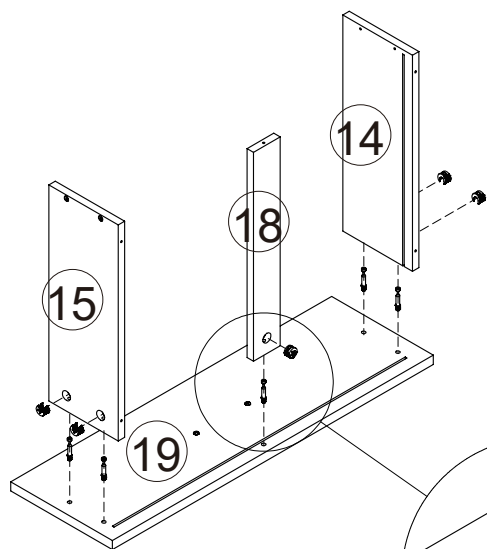


X3

X3

Step 2

A   60 pcs

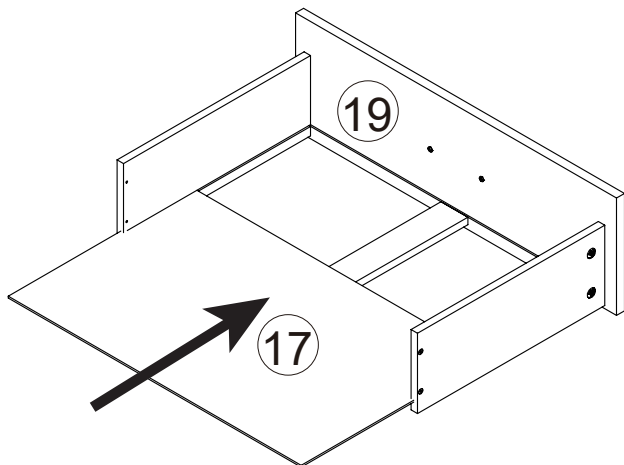


X3

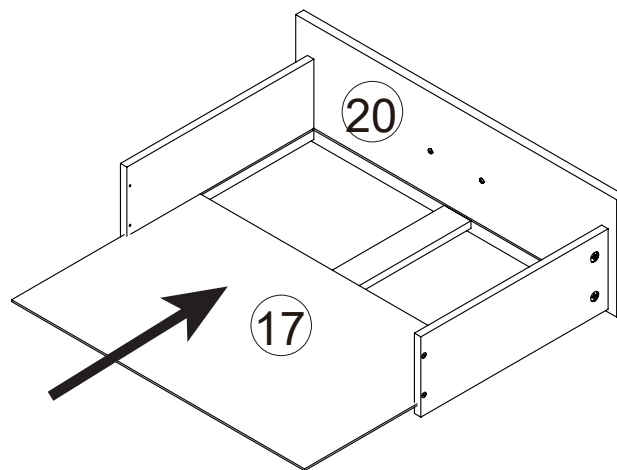
X3

PRODUCT ASSEMBLY

Step 3

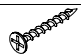


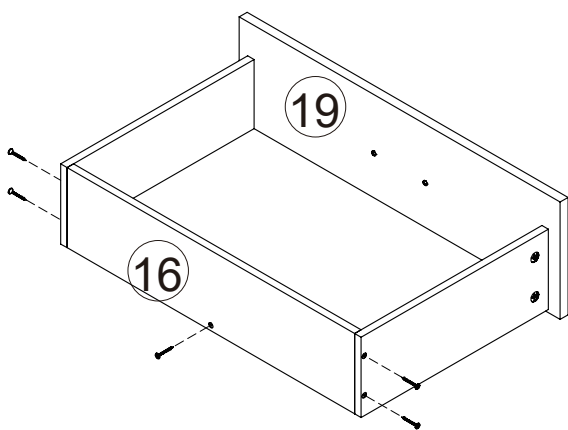
X3



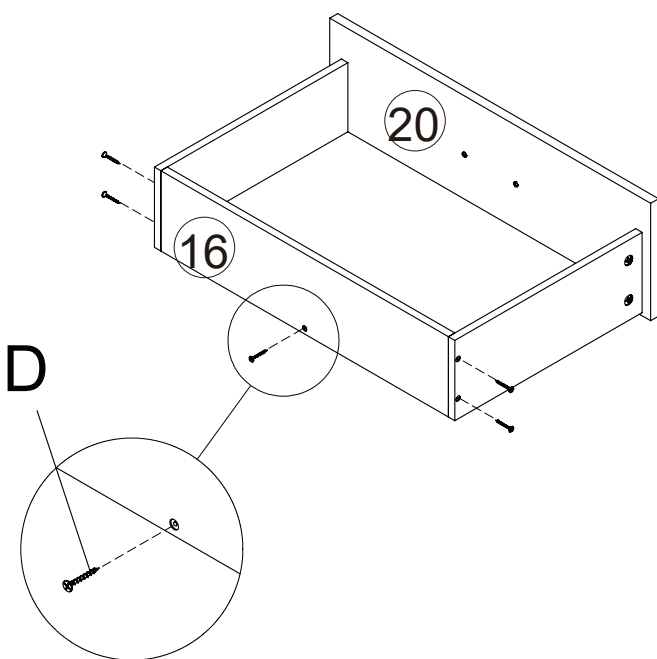
X3

Step 4

D  60 pcs





X3

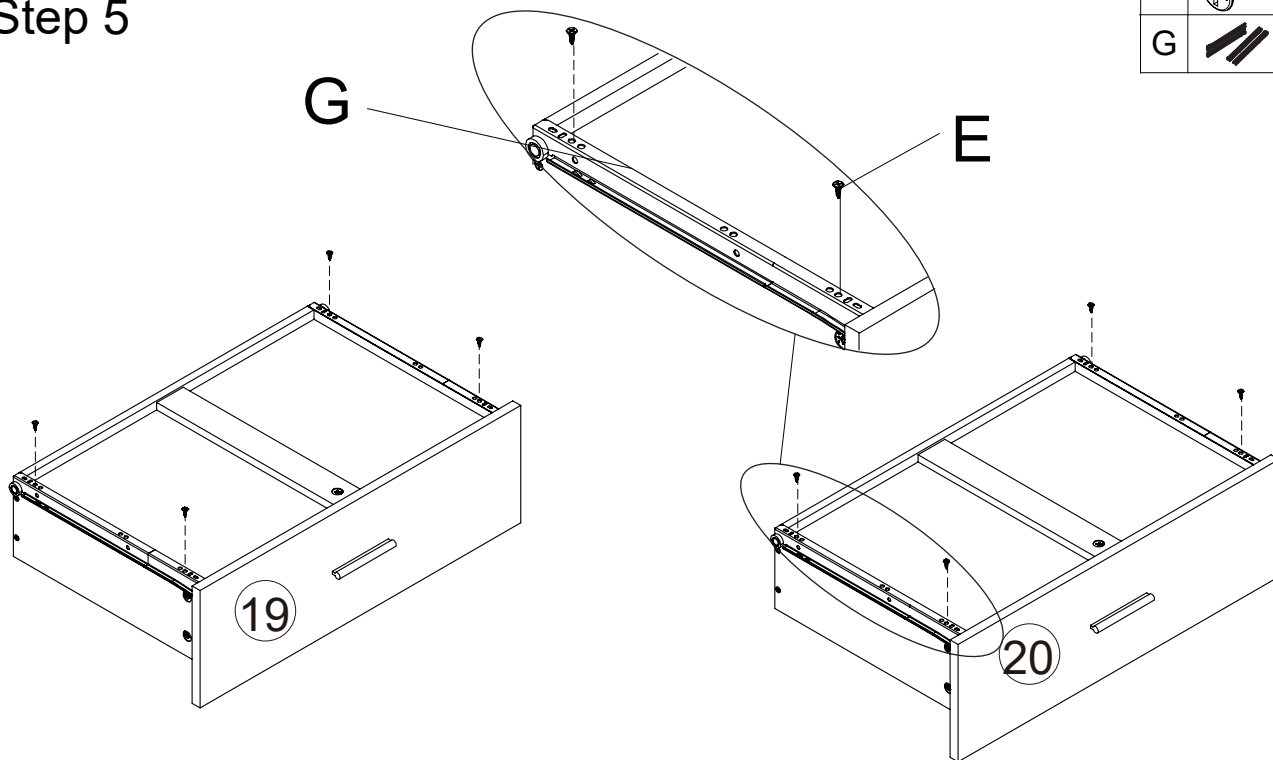


X3

PRODUCT ASSEMBLY

Step 5



E		24 pcs
G		6 pcs

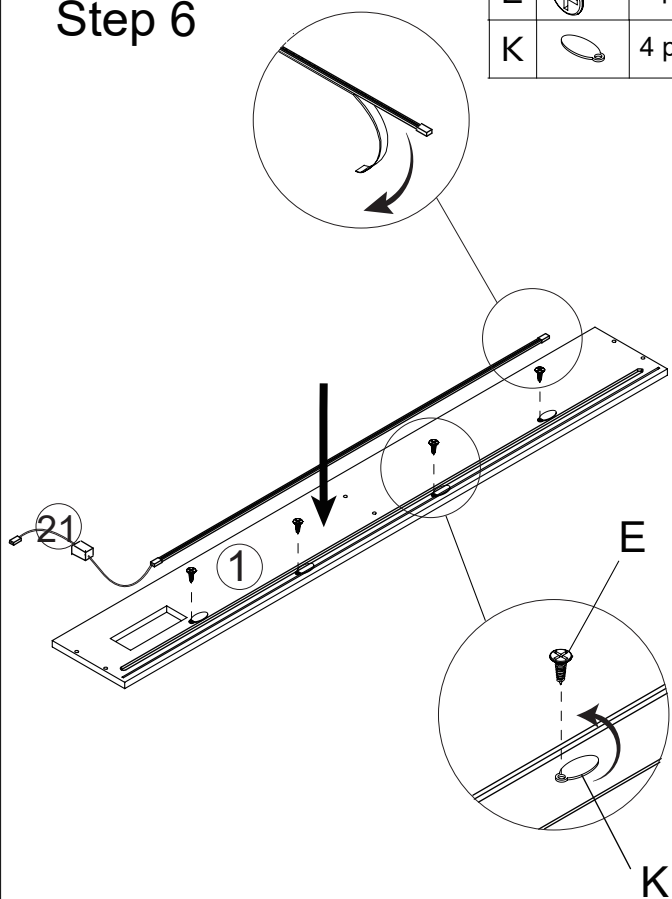


X3

X3

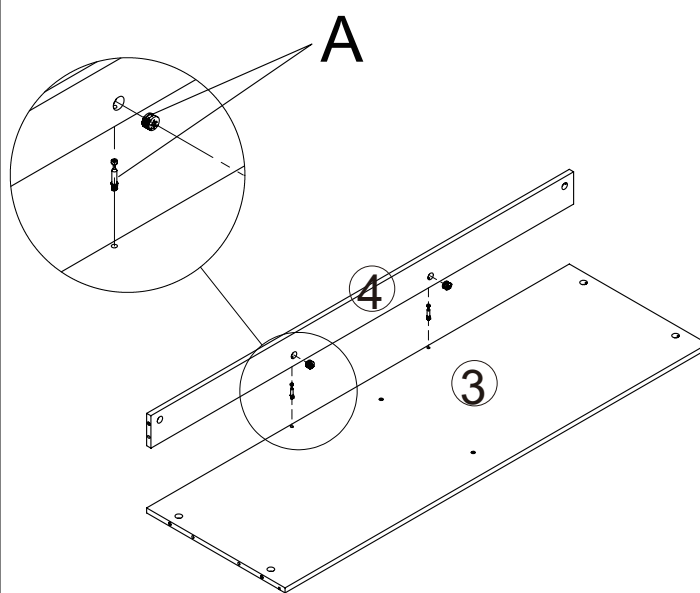
Step 6

E		4 pcs
K		4 pcs



Step 7

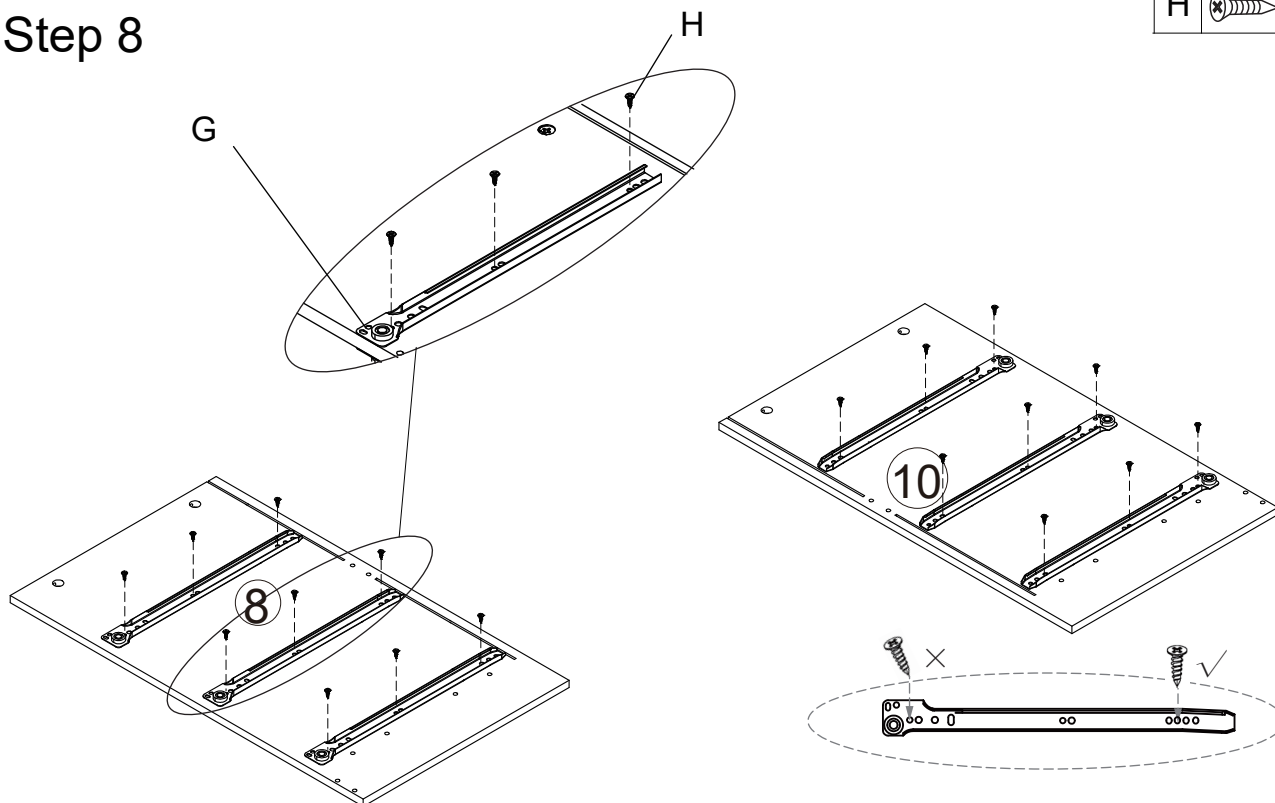
A		2 pcs
---	---	-------



PRODUCT ASSEMBLY

Step 8

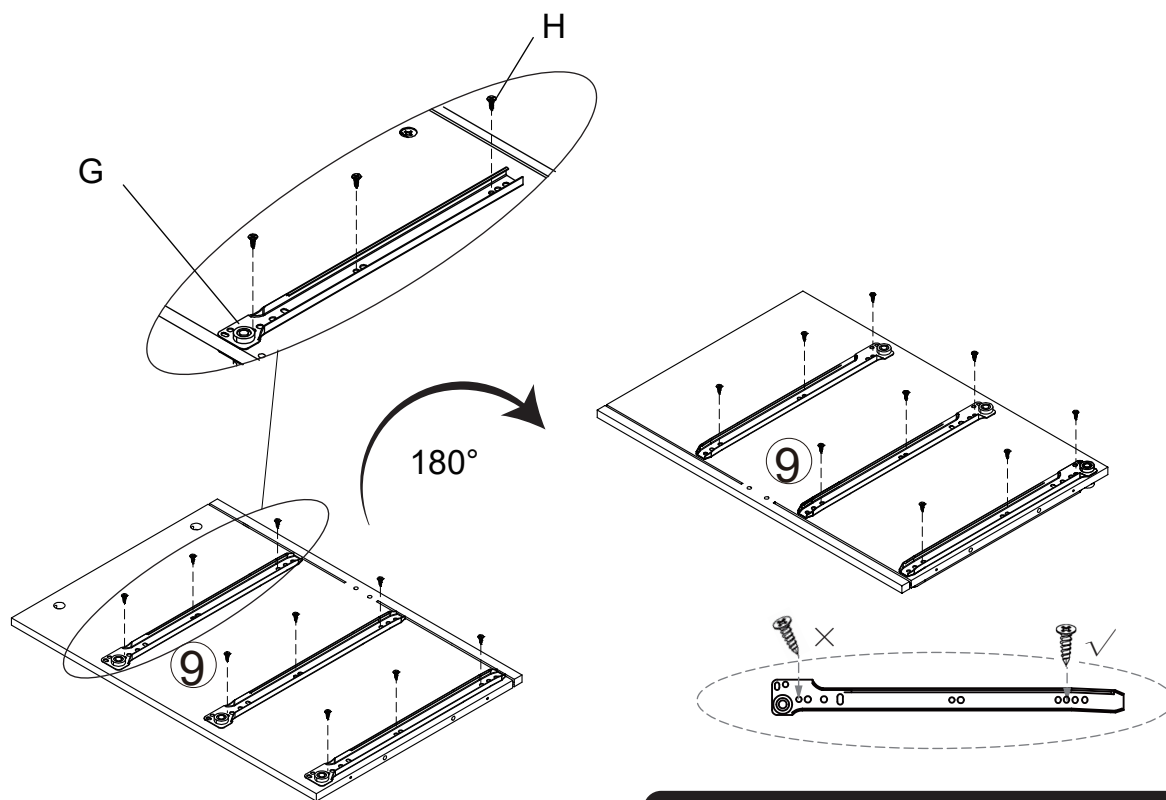
H  18 pcs



Misalignment of the screws can cause the drawer to jam.

Step 9



H  18 pcs

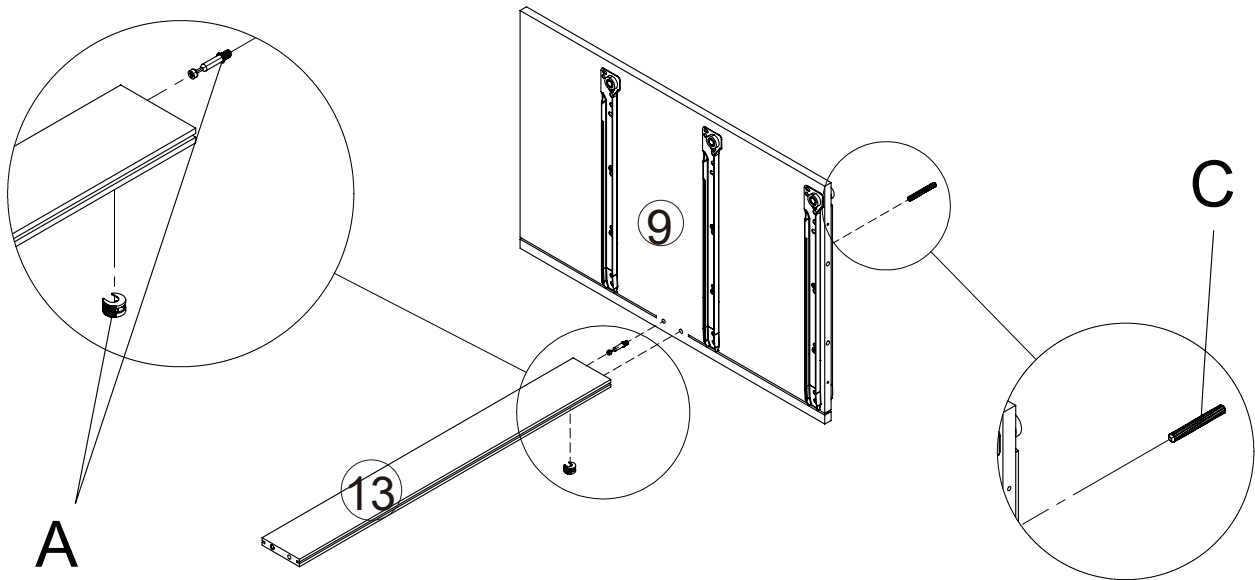


Misalignment of the screws can cause the drawer to jam.

PRODUCT ASSEMBLY

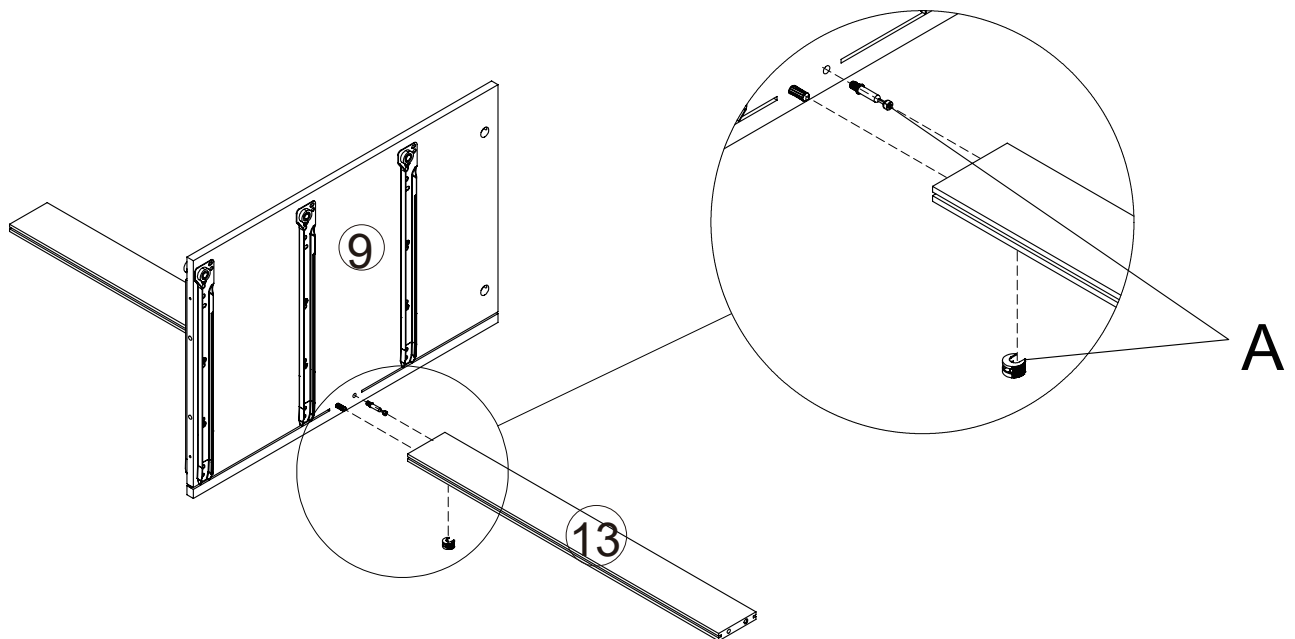
Step 10

A		1 pcs
C		1 pcs



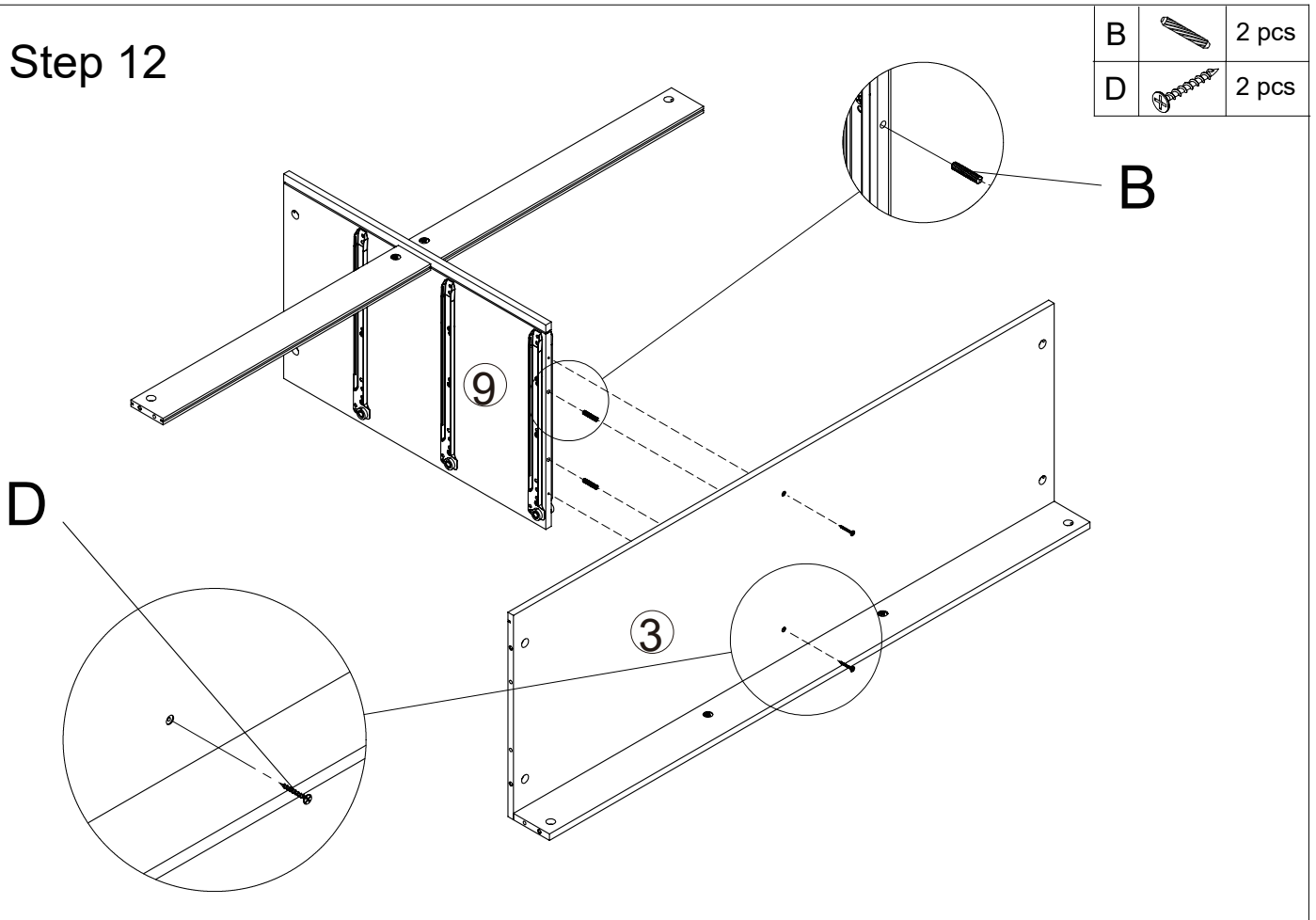
Step 11

A		1 pcs
---	---	-------

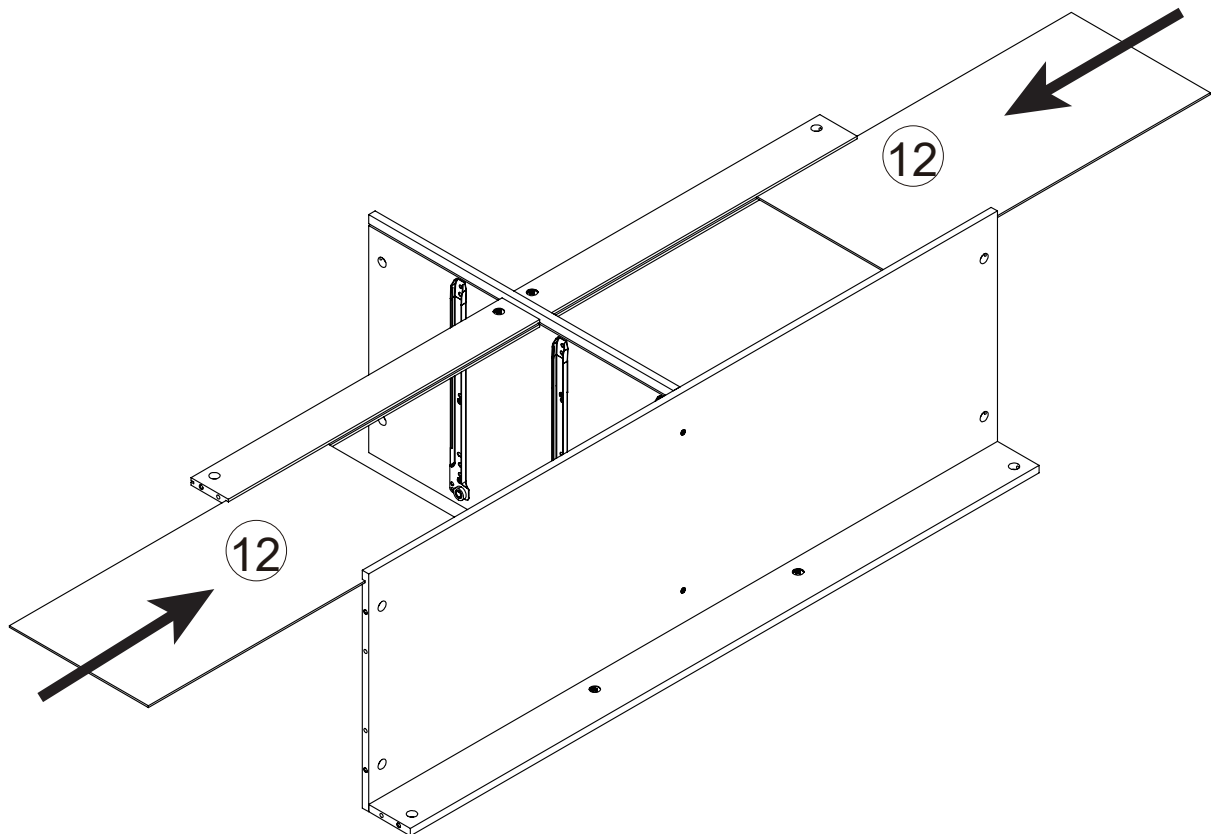


PRODUCT ASSEMBLY

Step 12



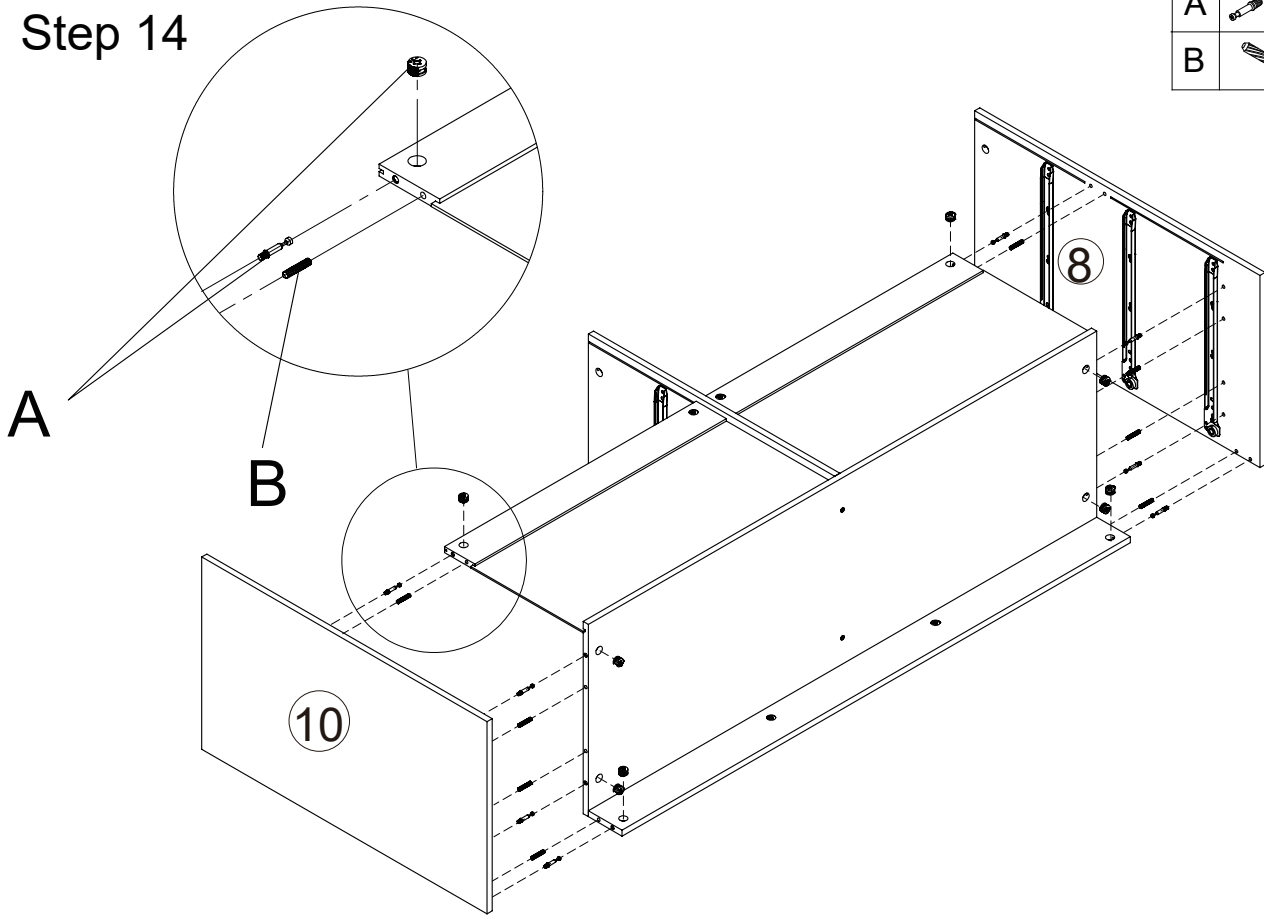
Step 13



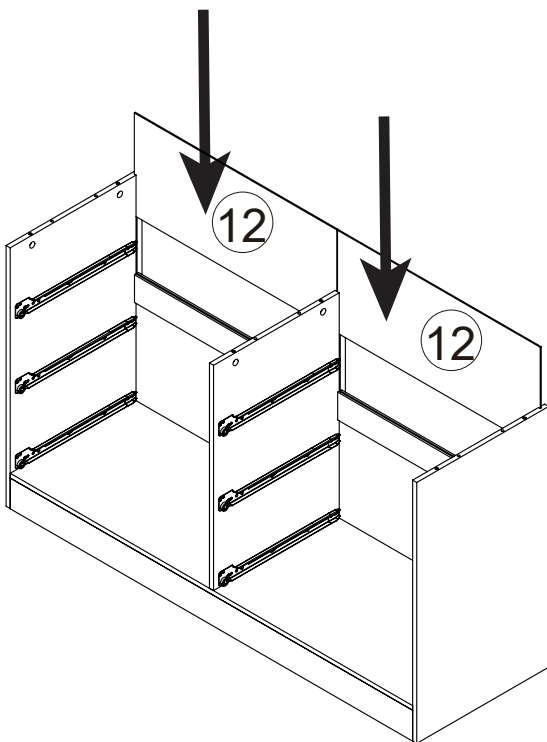
PRODUCT ASSEMBLY

Step 14


A		8 pcs
B		8 pcs

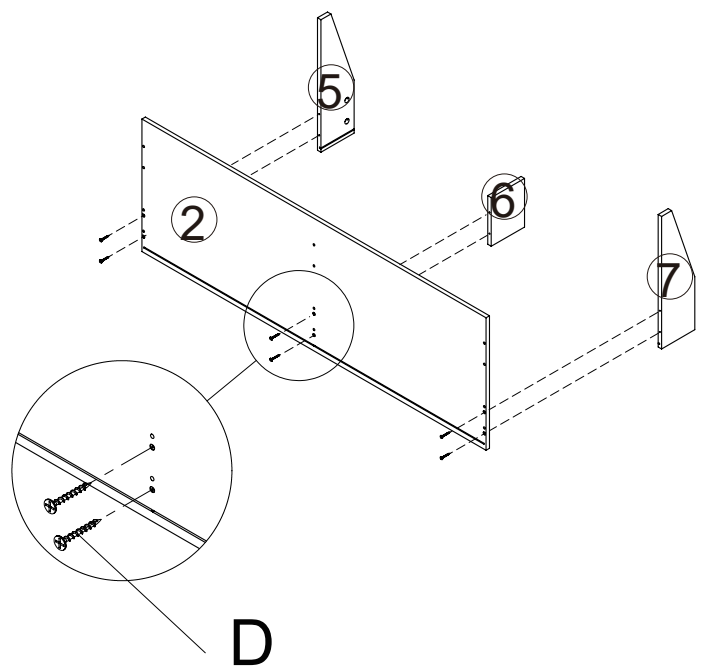


Step 15



Step 16

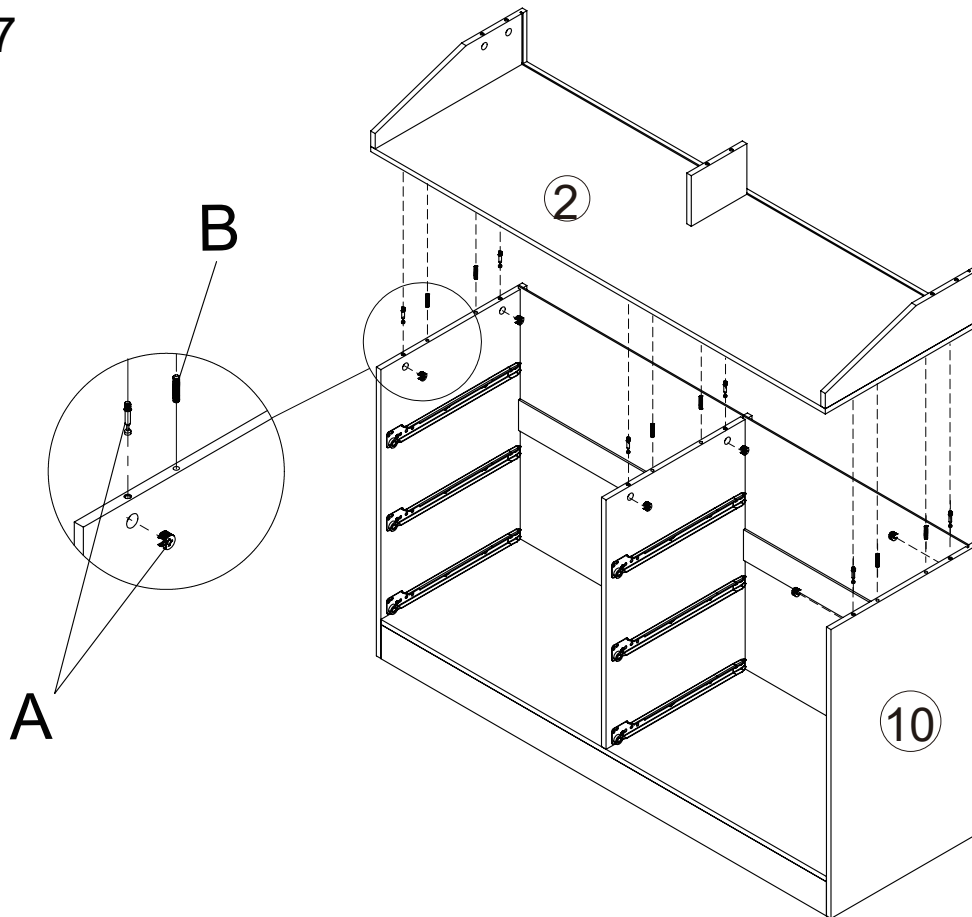
D		6 pcs
---	---	-------



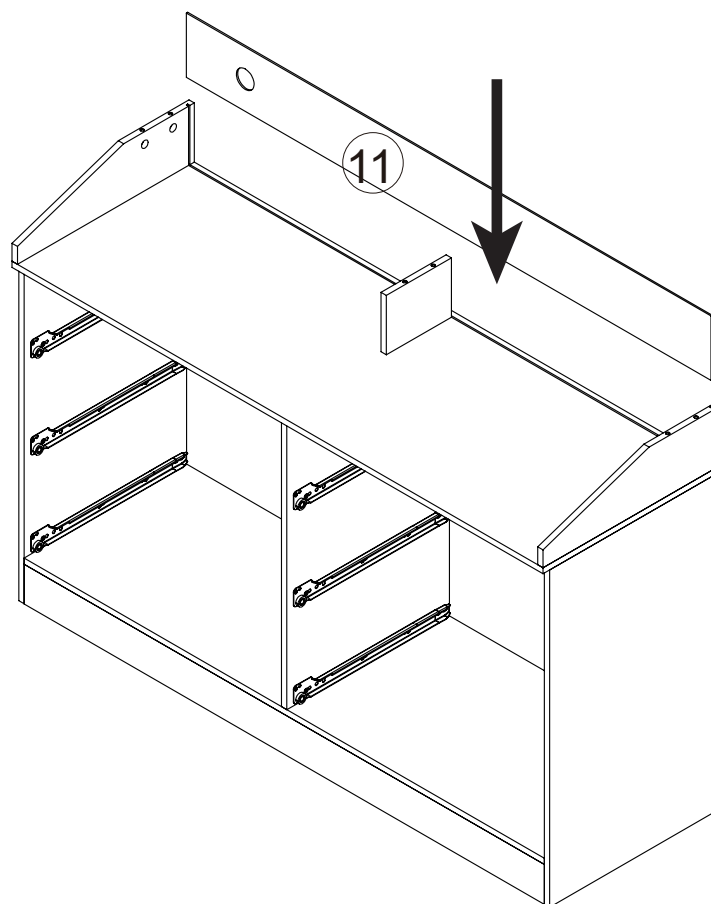
PRODUCT ASSEMBLY

Step 17

A		6 pcs
B		6 pcs



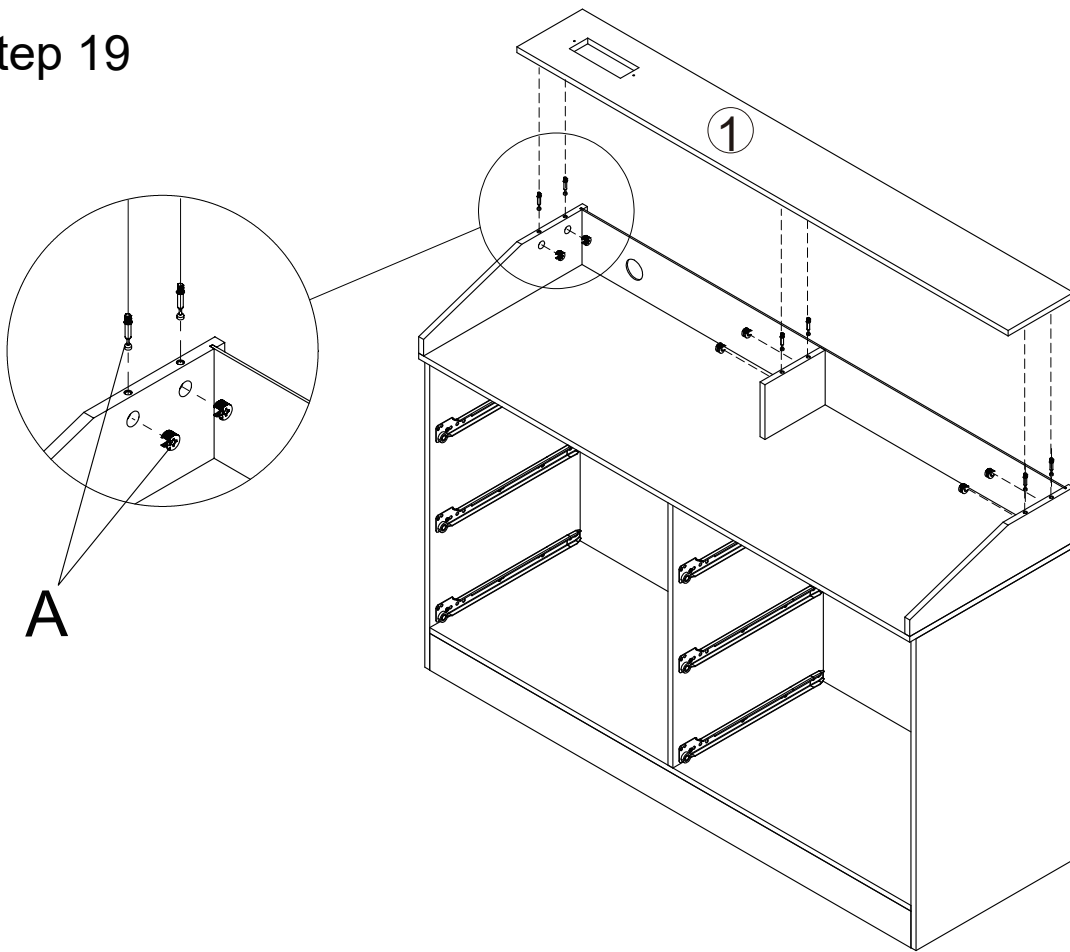
Step 18




PRODUCT ASSEMBLY

Step 19

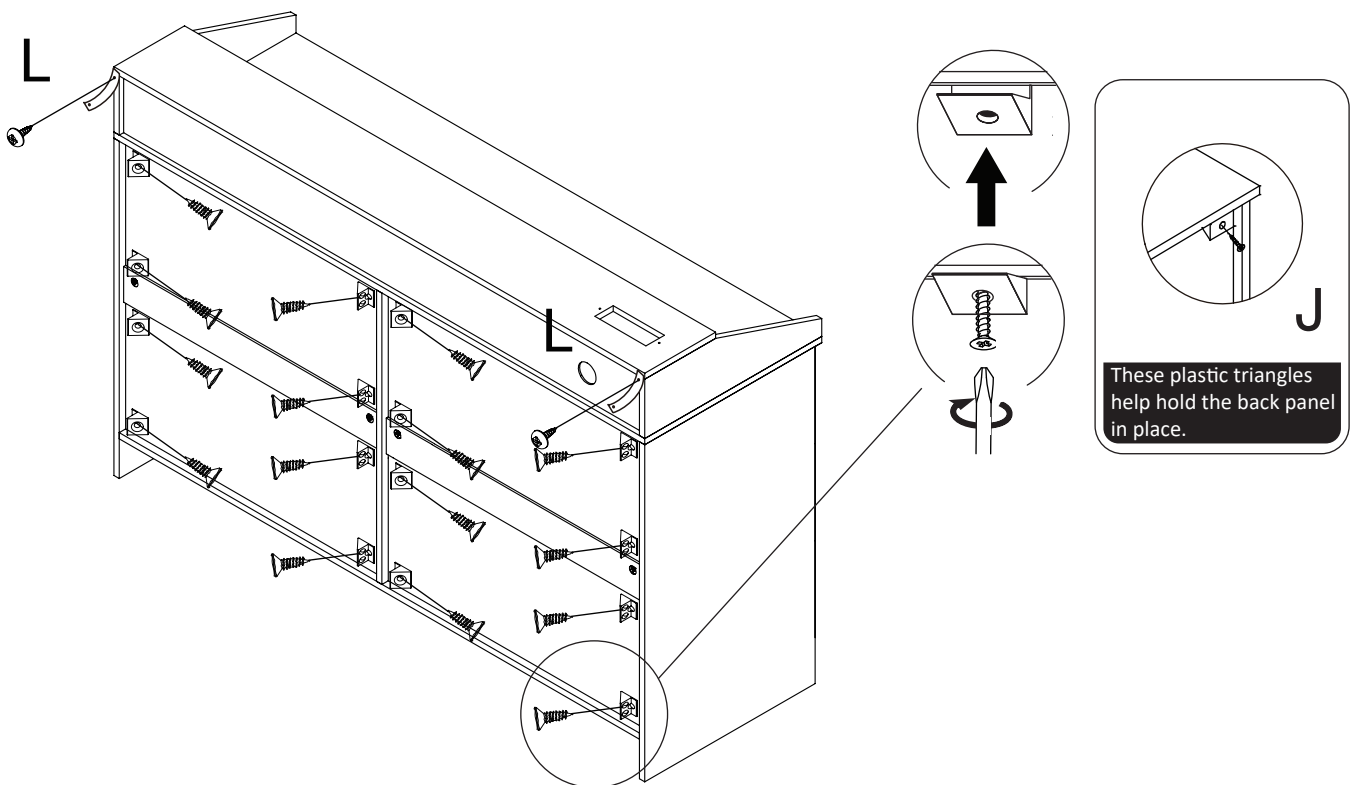
A  6 pcs



Step 20

J  16 sets

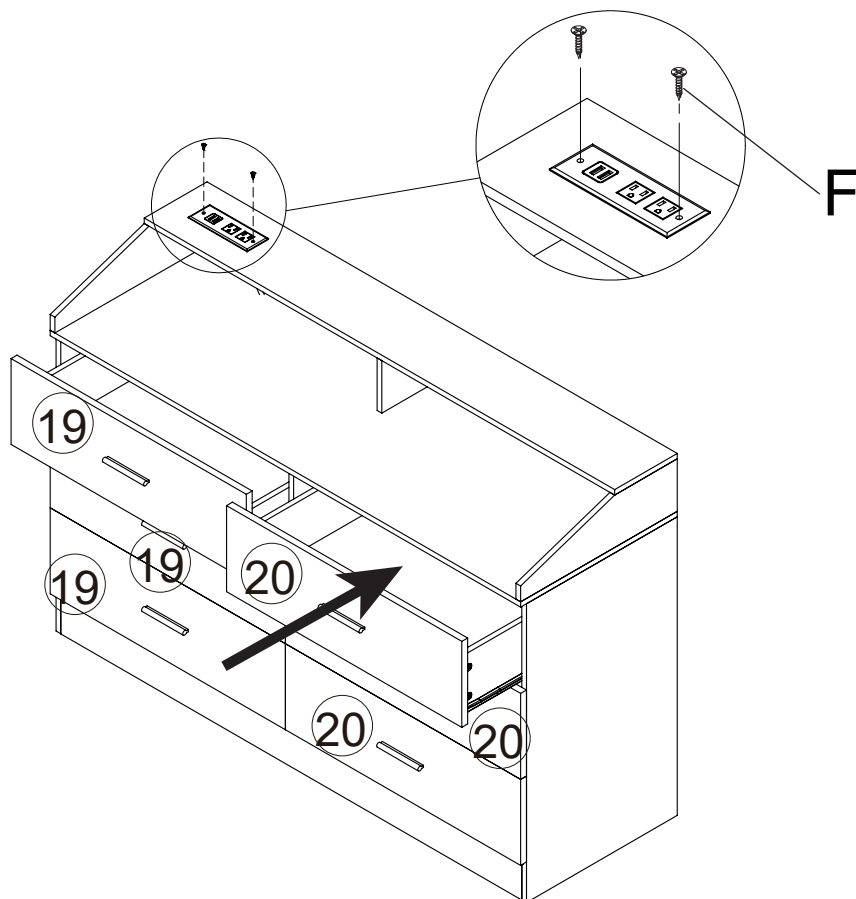
L  2 sets



PRODUCT ASSEMBLY

Step 21

F  2 pcs



Step 22

