
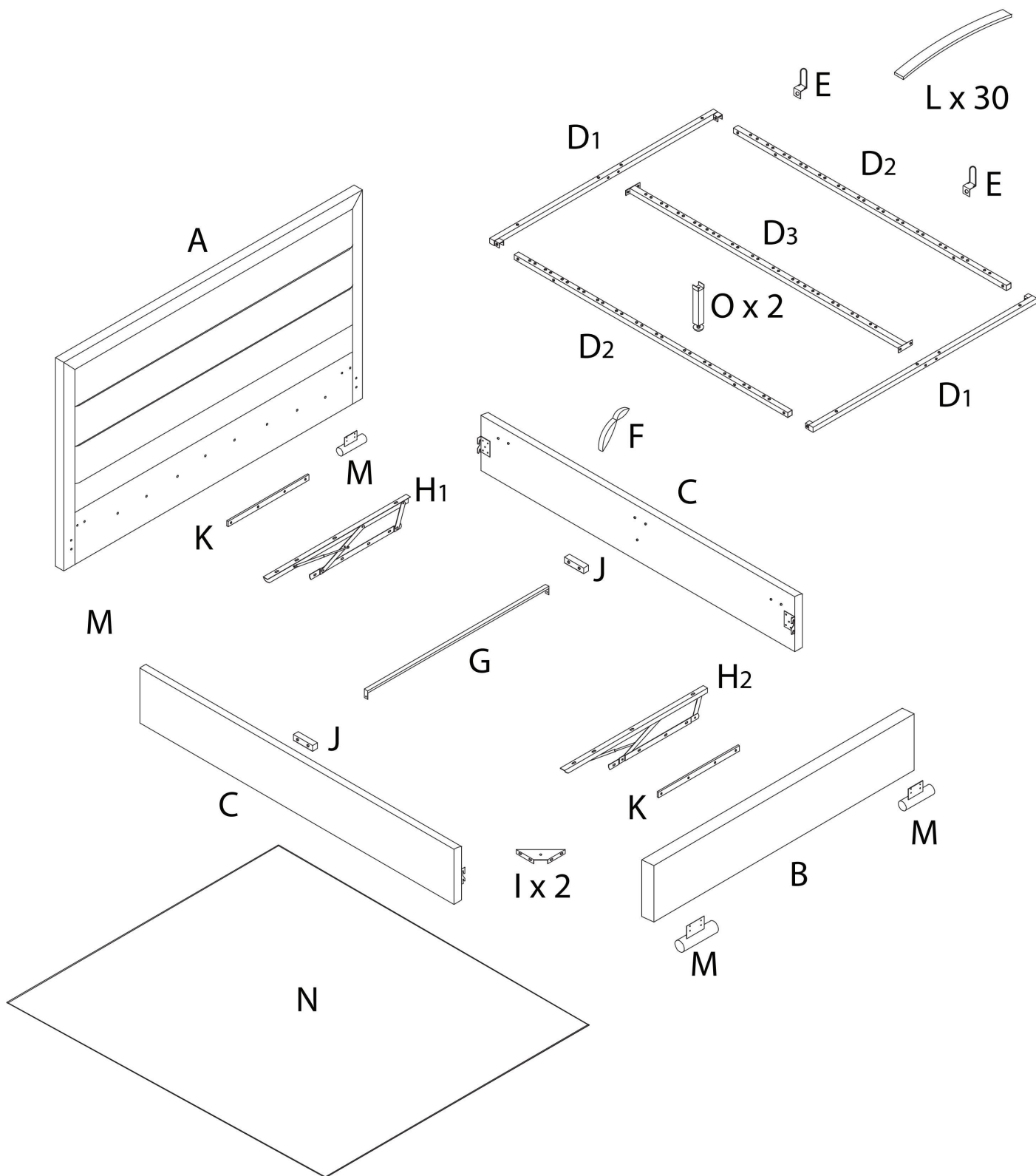
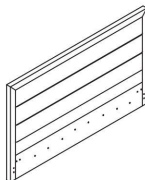
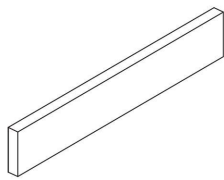
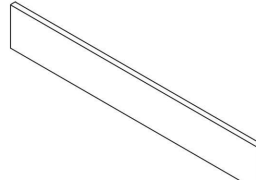
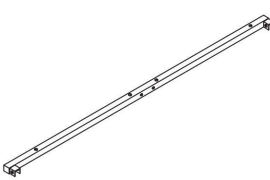
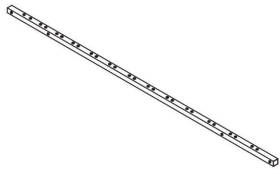
	60'
		
		2



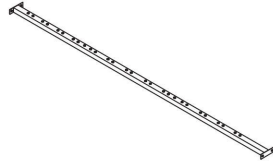
<p>A</p>  <p>x 1</p>	<p>B</p>  <p>x 1</p>	<p>C</p>  <p>x 2</p>	<p>D1</p>  <p>x 2</p>
---	---	--	--

D₂



x 2

D₃



x 1

E



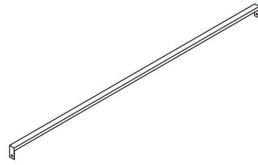
x 2

F



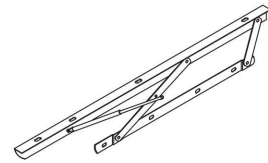
x 1

G



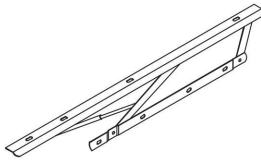
x 1

H₁



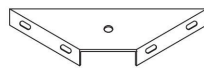
x 1

H₂



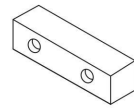
x 1

I



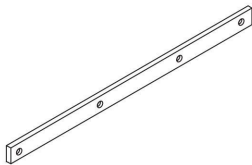
x 2

J



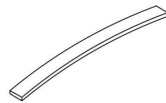
x 2

K



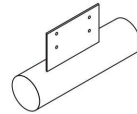
x 2

L



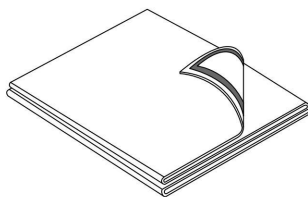
x 30

M



x 4

N



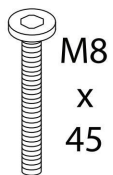
x 1

O



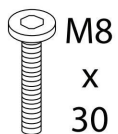
x 2

1



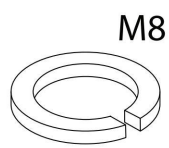
x 20

2



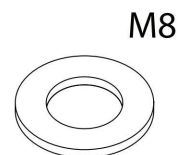
x 8

3



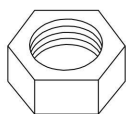
x 28

4



x 28

5



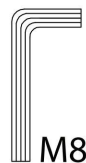
x 14

6



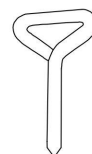
x 16

7



x 1

8



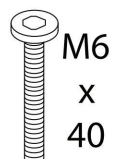
x 1

9



x 1

10



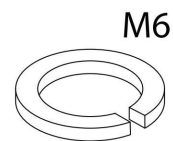
x 8

11



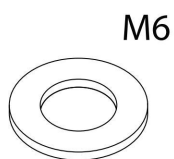
x 10

12



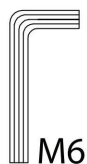
x 18

13



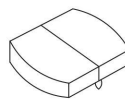
x 18

14



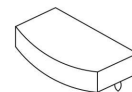
x 1

15



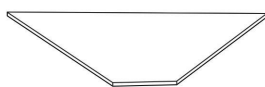
x 15

16



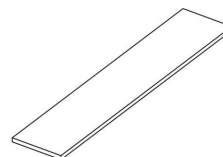
x 30

17



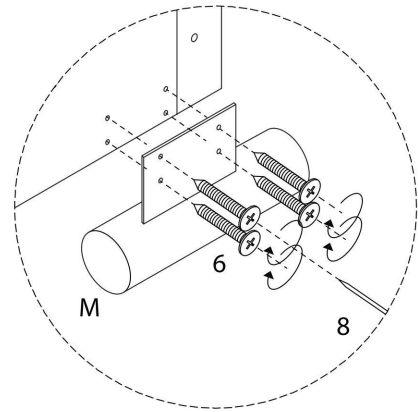
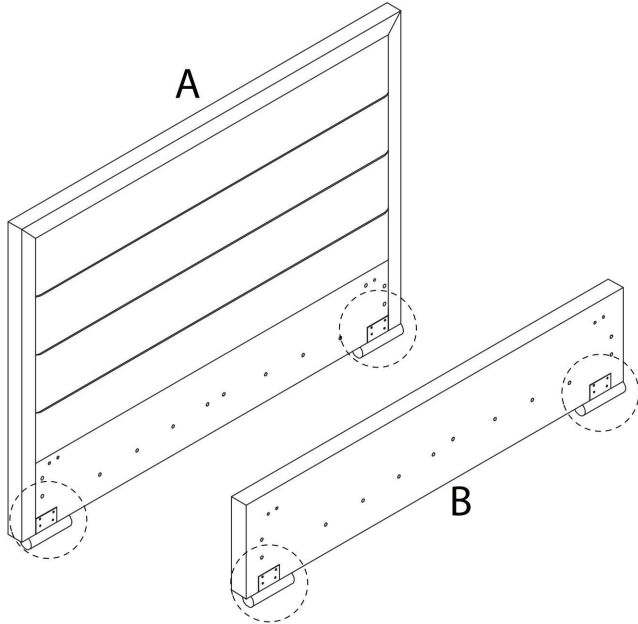
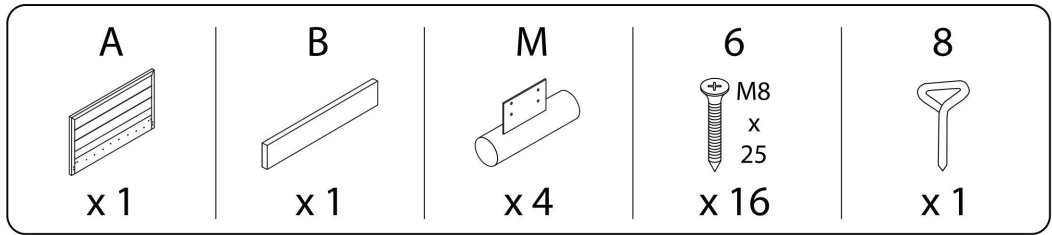
x 2

18

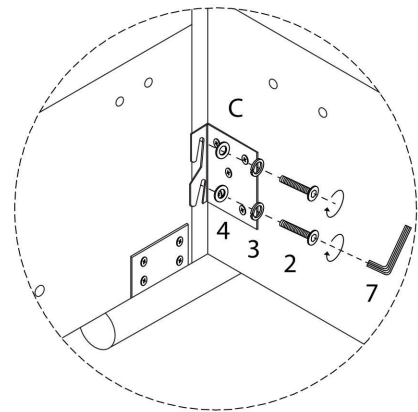
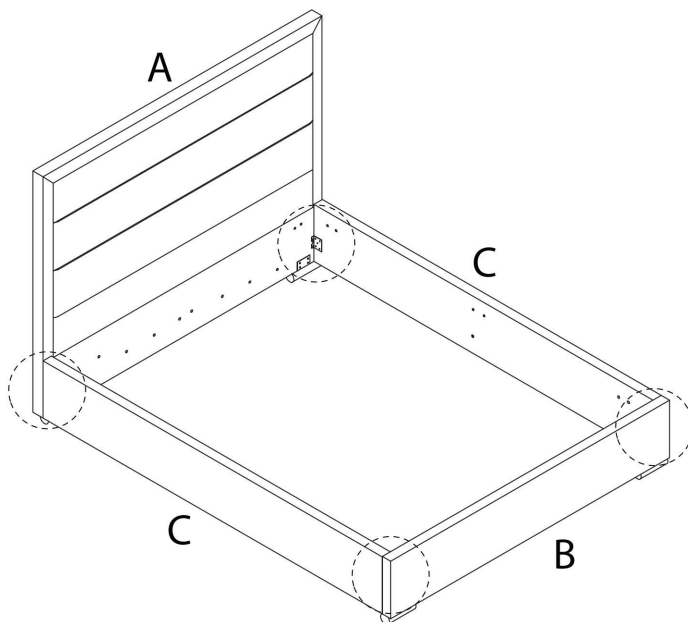
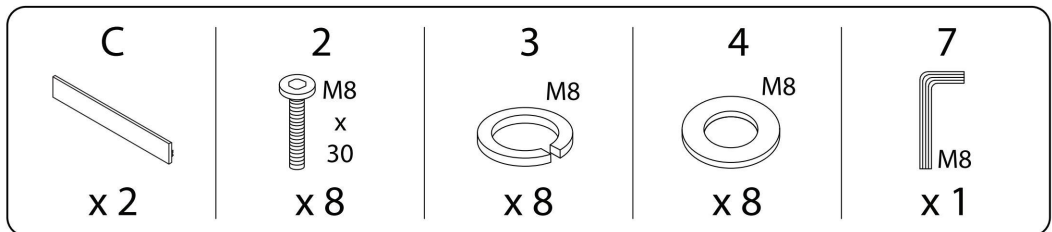


x 3

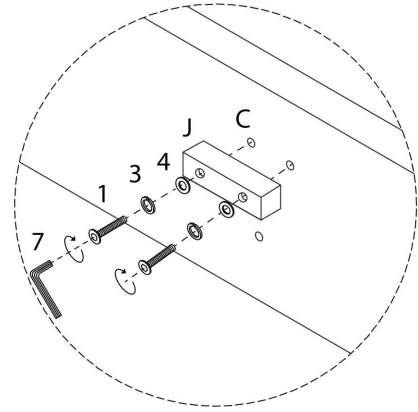
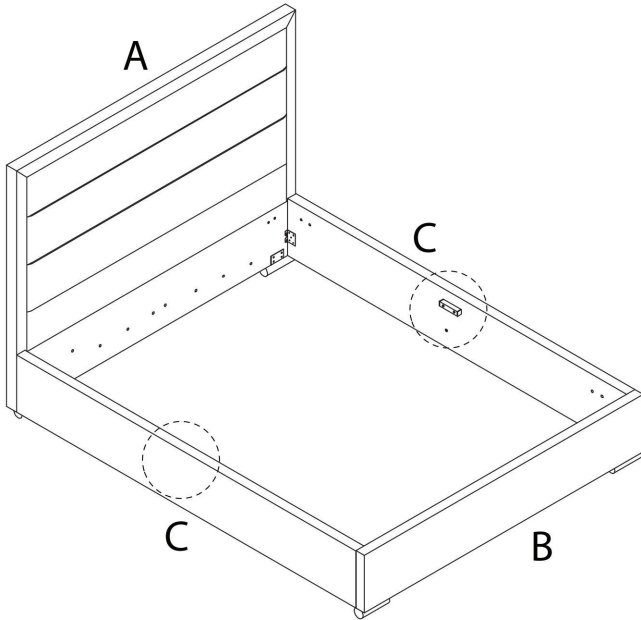
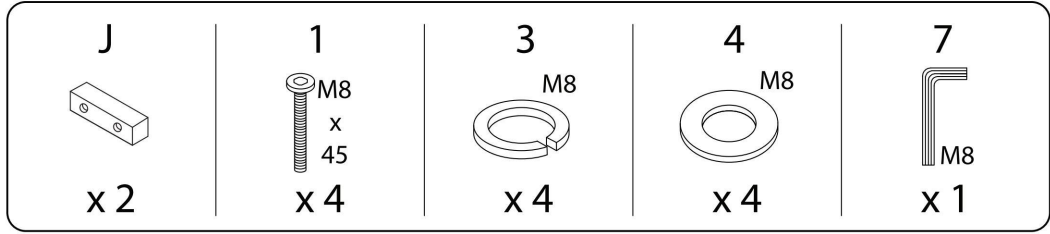
1



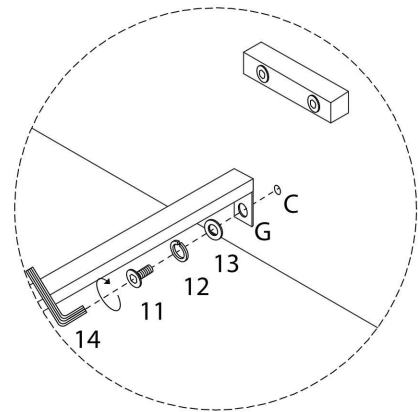
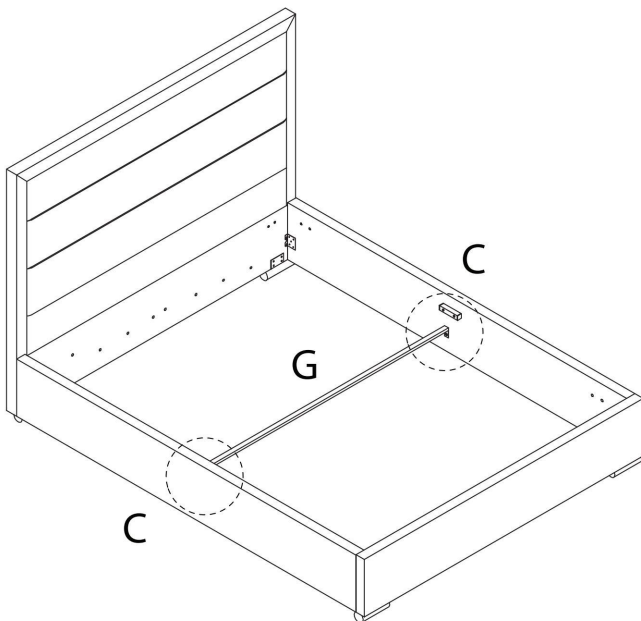
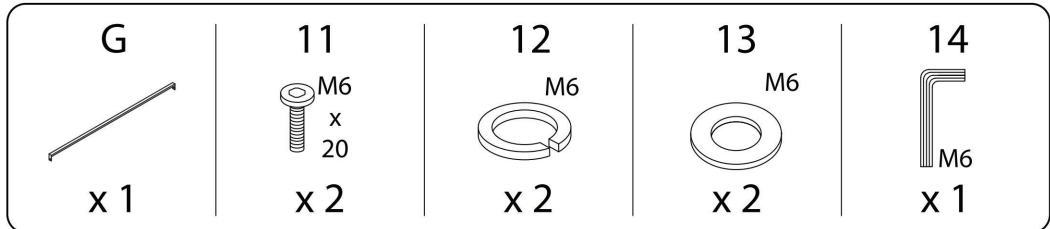
2



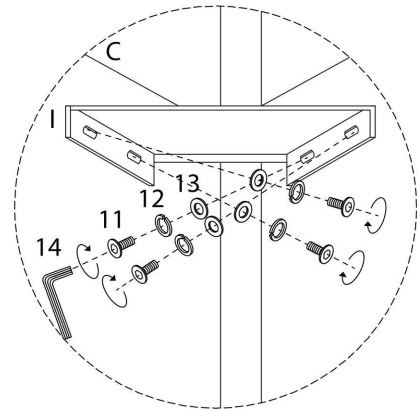
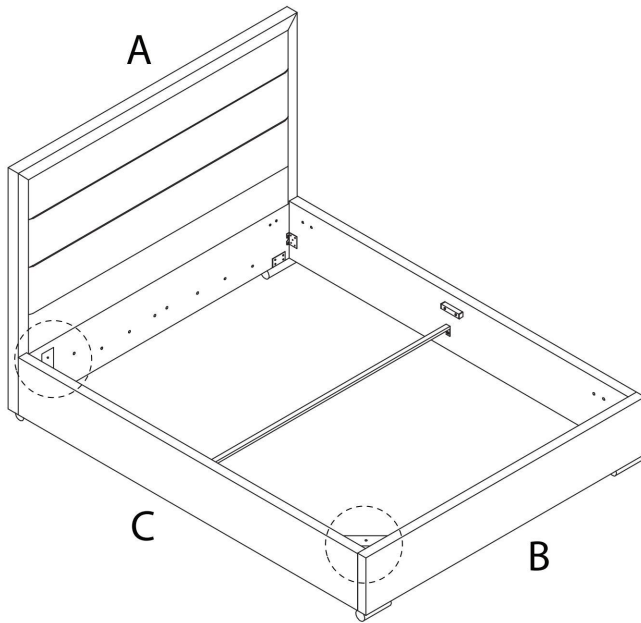
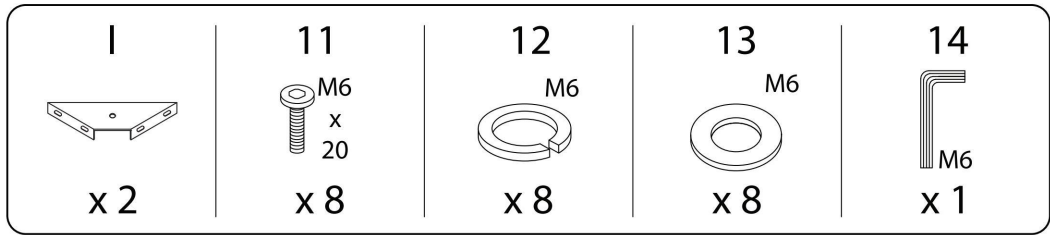
3



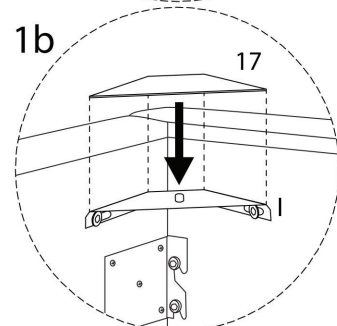
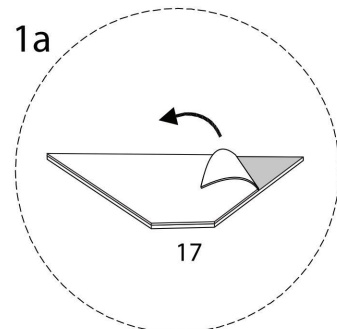
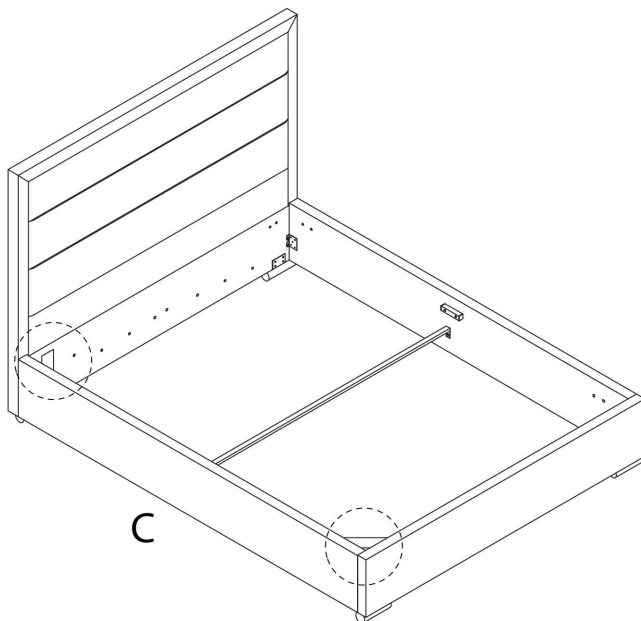
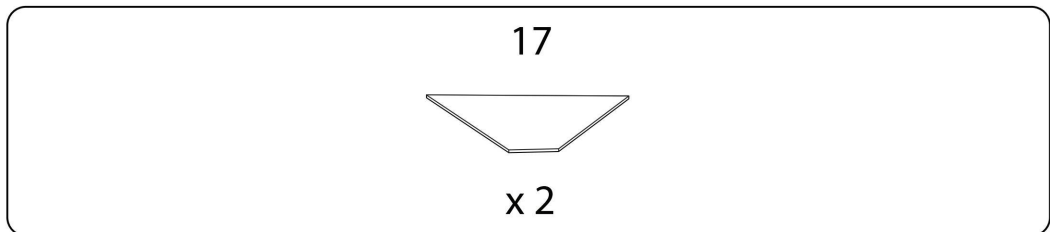
4



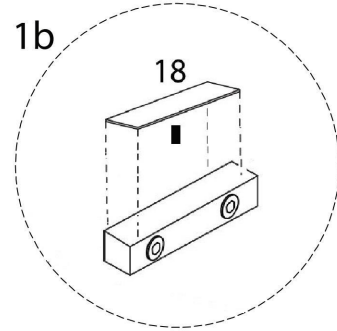
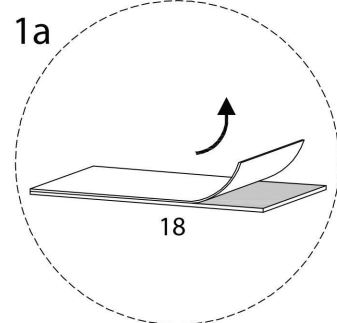
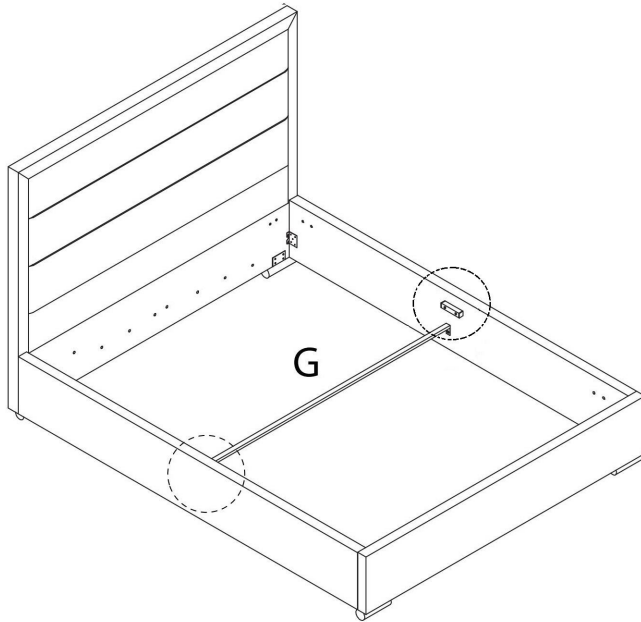
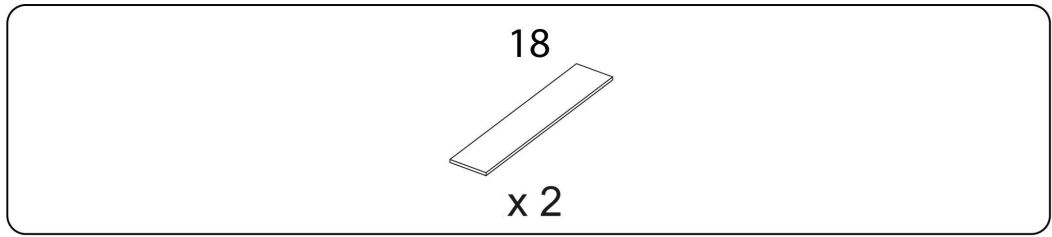
5



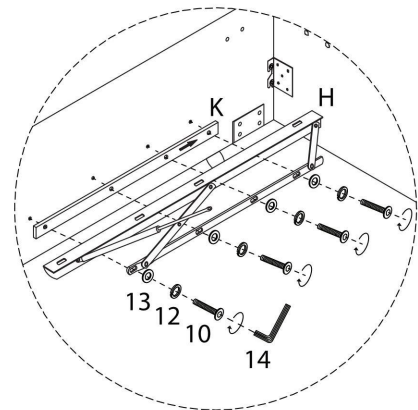
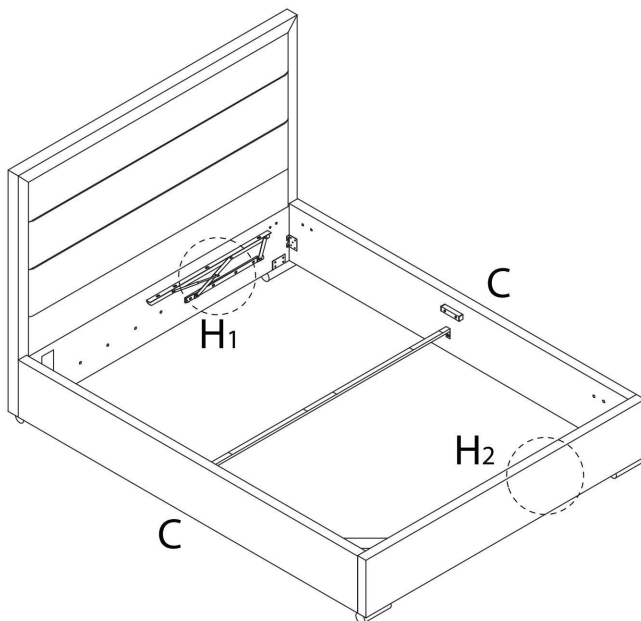
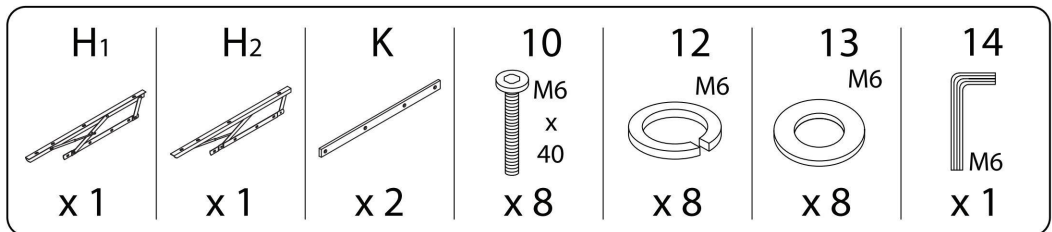
6



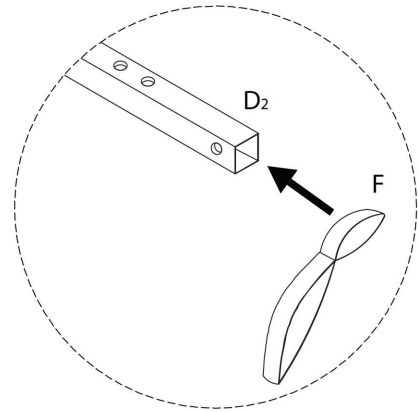
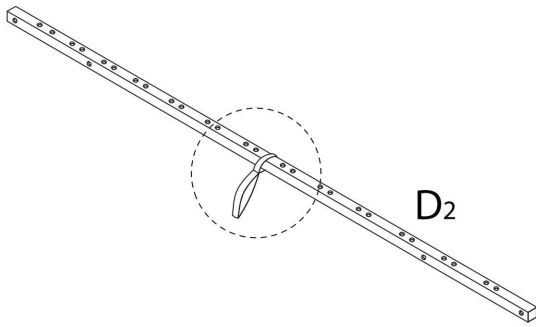
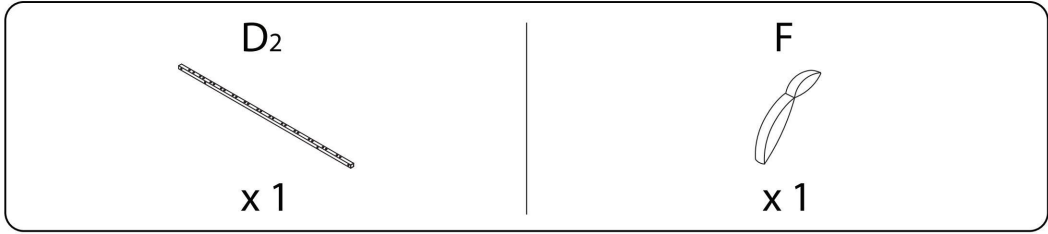
7



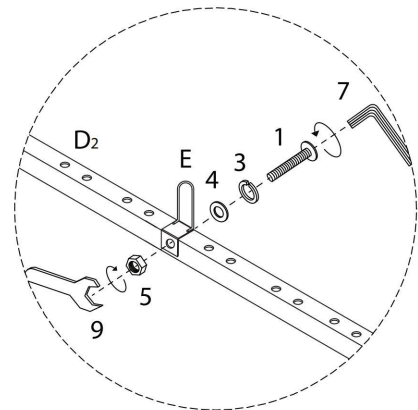
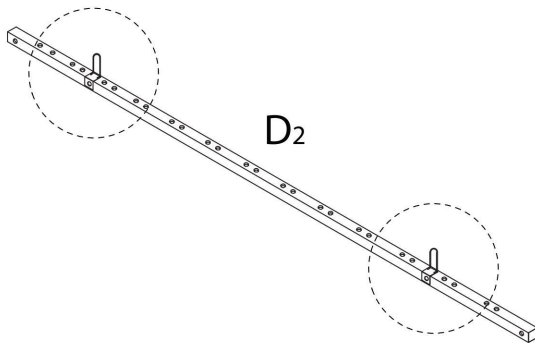
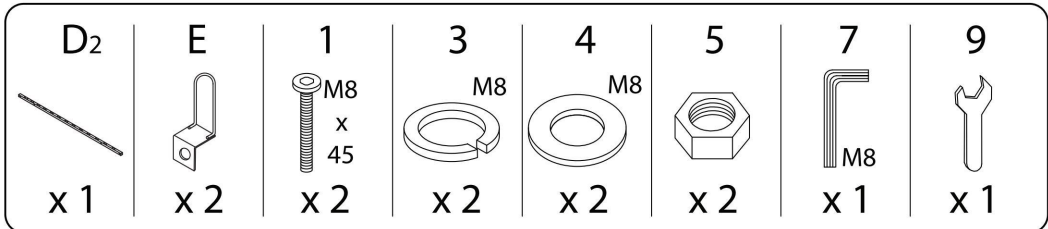
8







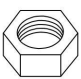
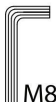

9

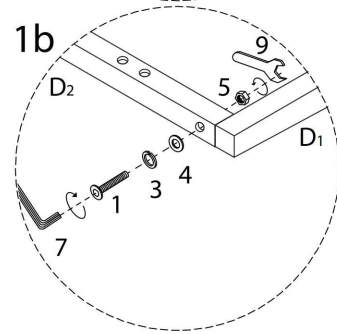
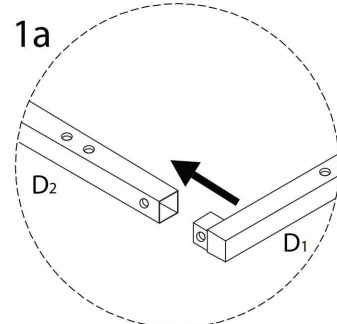
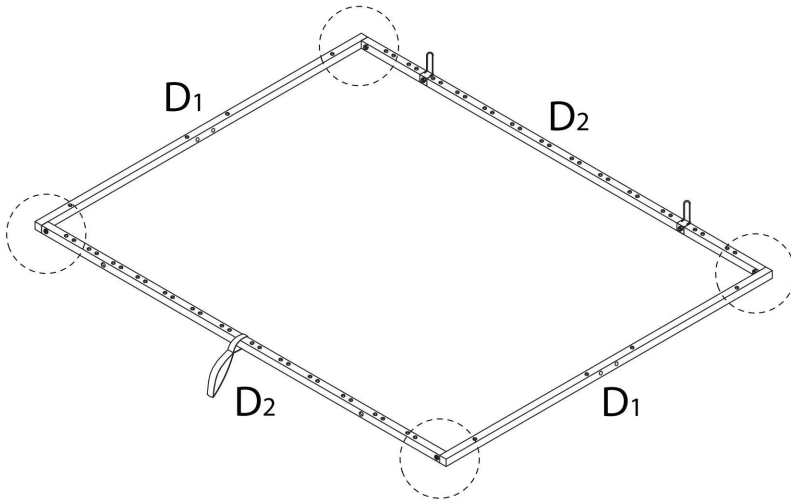


10





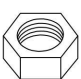
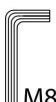



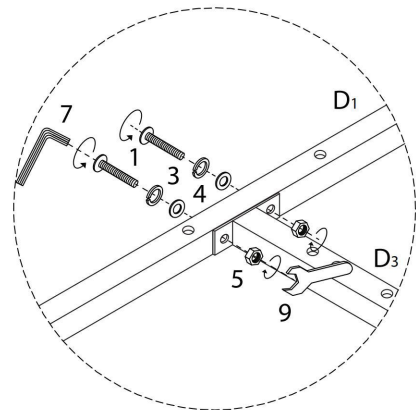
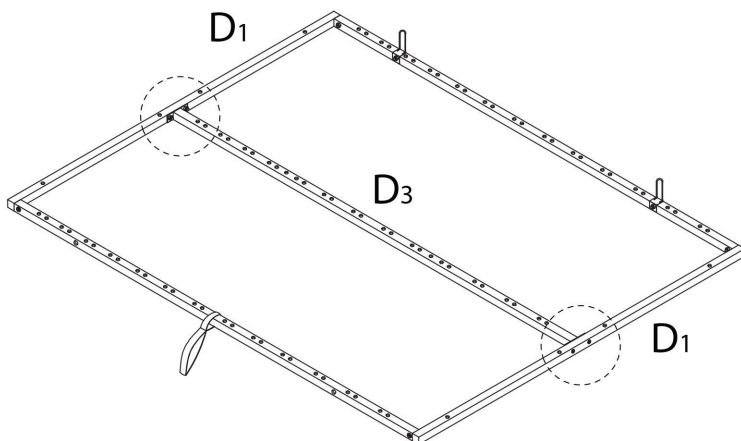
11

D1	1	3	4	5	7	9
						
x 2	x 4	x 4	x 4	x 4	x 1	x 1



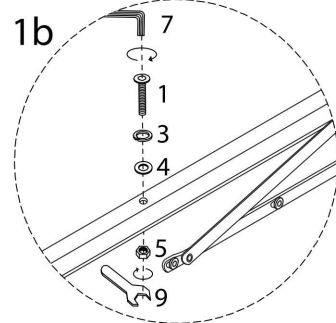
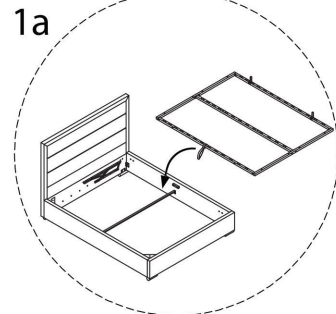
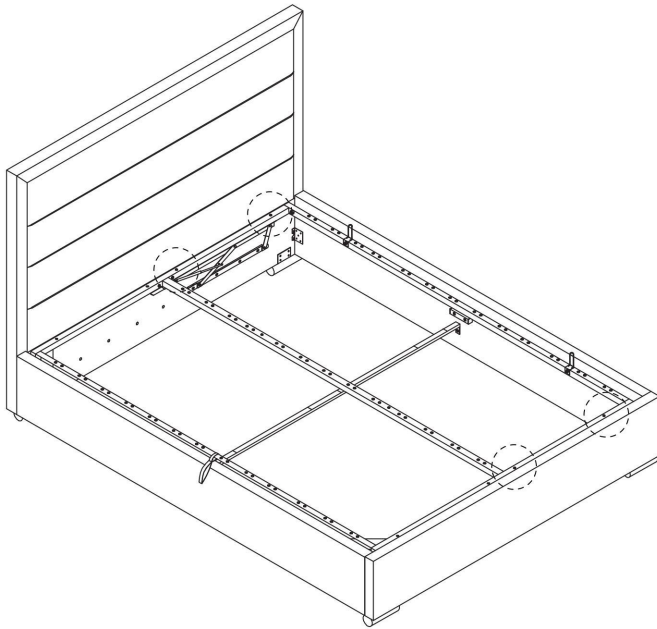
12

D3	1	3	4	5	7	9
						
x 1	x 4	x 4	x 4	x 4	x 1	x 1



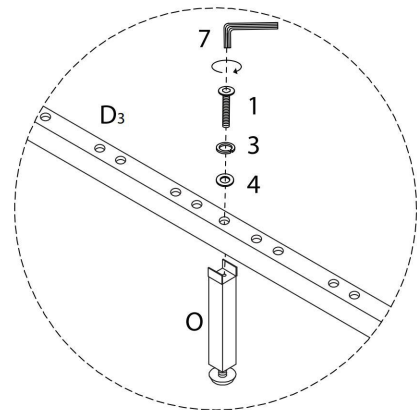
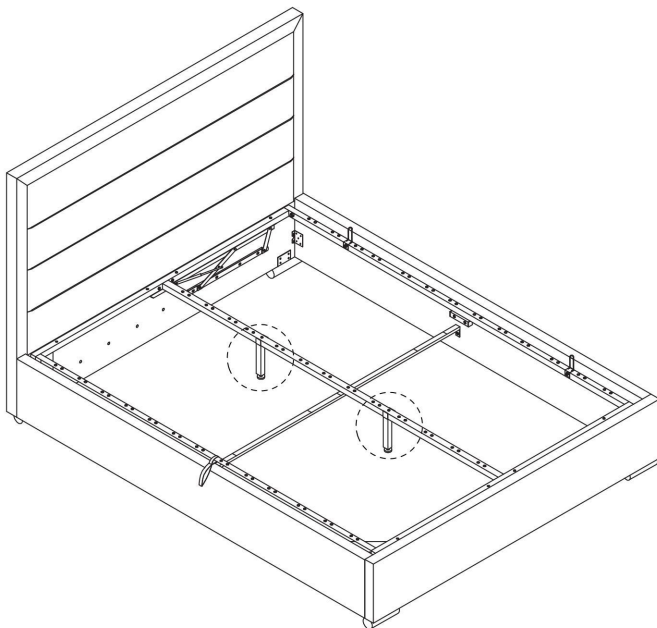
13

1 M8 x 45 x 4	3 M8 x 4	4 M8 x 4	5 x 4	7 M8 x 1	9 x 1
------------------------	----------------	----------------	----------	----------------	----------

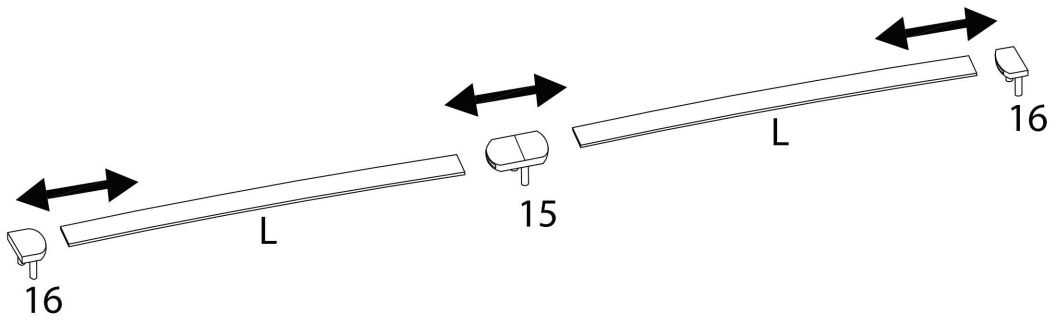
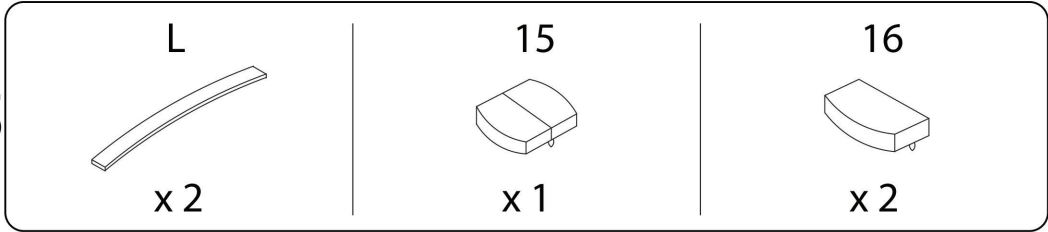


14

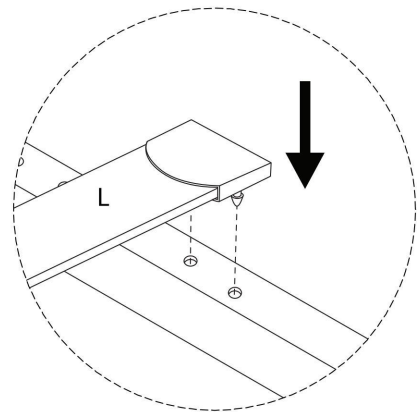
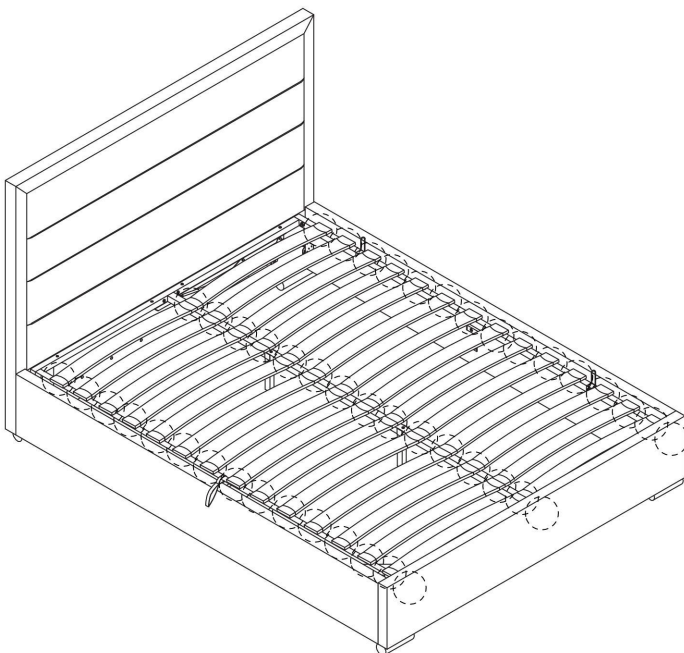
0 x 2	1 M8 x 45 x 2	3 M8 x 2	4 M8 x 2	7 M8 x 1
----------	------------------------	----------------	----------------	----------------



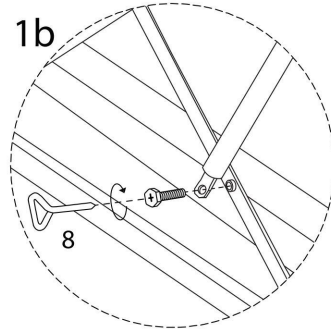
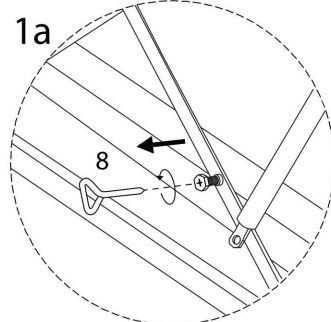
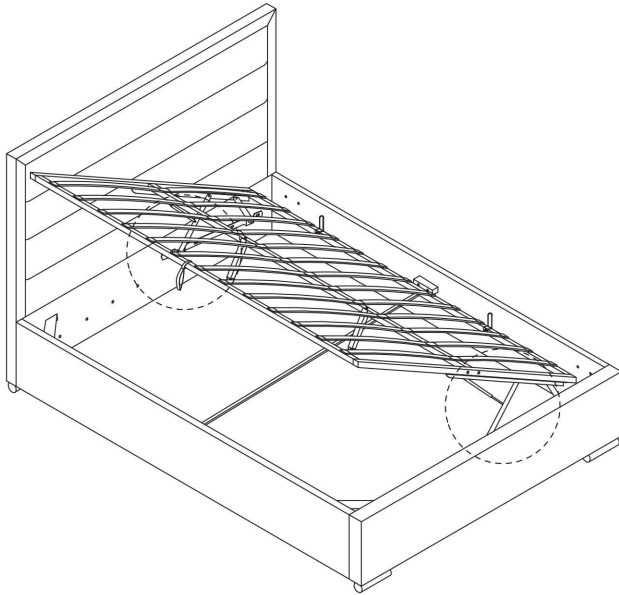
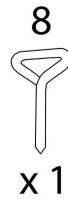
15 x 15



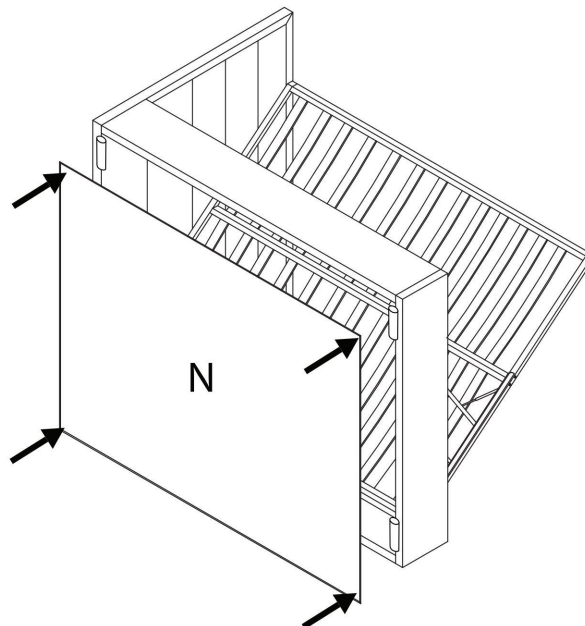
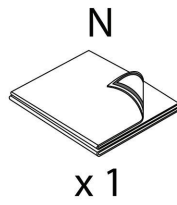
16



17



18



!

