

ASSEMBLY INSTRUCTIONS



Fine Furniture for every stage of life

Dining Table

ASSEMBLY INSTRUCTIONS

ASSEMBLY TIPS:

1. Remove hardware from box and sort by size.
2. Please check to see that all hardware and parts are present prior to start of assembly.
3. Please follow attached instructions in the same sequence as numbered to assure fast & easy assembly.



WARNING!

1. Don't attempt to repair or modify parts that are broken or defective. Please contact the store immediately.
2. This product is for home use only and not intended for commercial establishments.

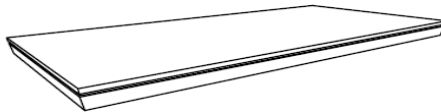


ASSEMBLY TIME

15 MINUTES

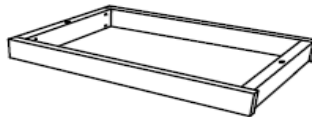
PARTS IDENTIFICATION

A TOP



1PC

B LEG FRAME



2PCS

C LEG SUPPORT



2PCS

D APRON



2PCS

ASSEMBLY INSTRUCTIONS

ASSEMBLY TIPS:











1. Remove hardware from box and sort by size.
2. Please check to see that all hardware and parts are present prior to start of assembly.
3. Please follow attached instructions in the same sequence as numbered to assure fast & easy assembly.



WARNING!

1. Don't attempt to repair or modify parts that are broken or defective. Please contact the store immediately.
2. This product is for home use only and not intended for commercial establishments.

HARDWARE IDENTIFICATION

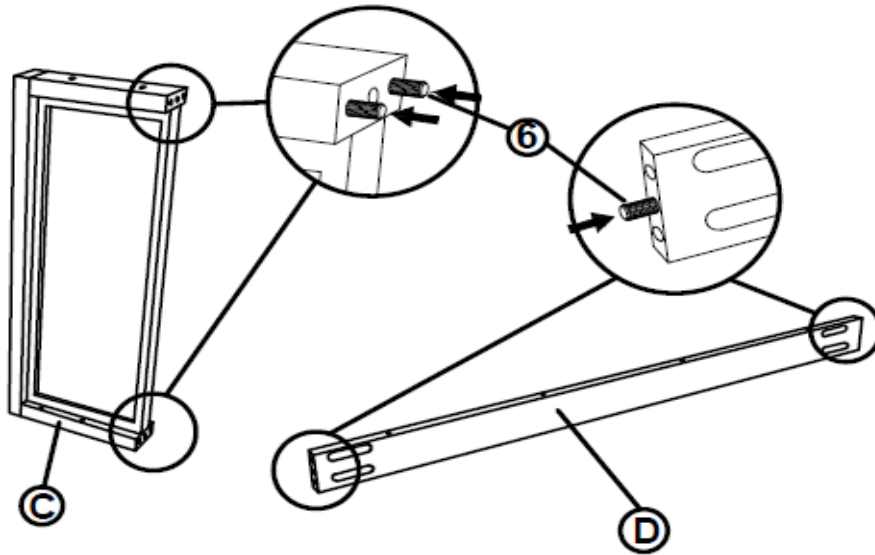
1	ALLEN WRENCH (M4 - BLK)		1PC
2	SHORT BOLT (M6 x 50mm - RBW)		8PCS
3	LONG BOLT (M6 x 70mm - RBW)		4PCS
4	LOCK WASHER (M6 - RBW)		4PCS
5	HALF ROUND NUT (M6 - BLK)		8PCS
6	PLASTIC DOWEL (M8 x 30mm - BLK)		12PCS
7	FLAT HEAD SCREW (M4 x 38mm - RBW)		8PCS
8	WAFFER HEAD SCREW (M4 x 38mm - BLK)		16PCS
9	WOOD KNOB		8PCS
10	LEVELER (23mm - BLK)		2PCS

NOTE:

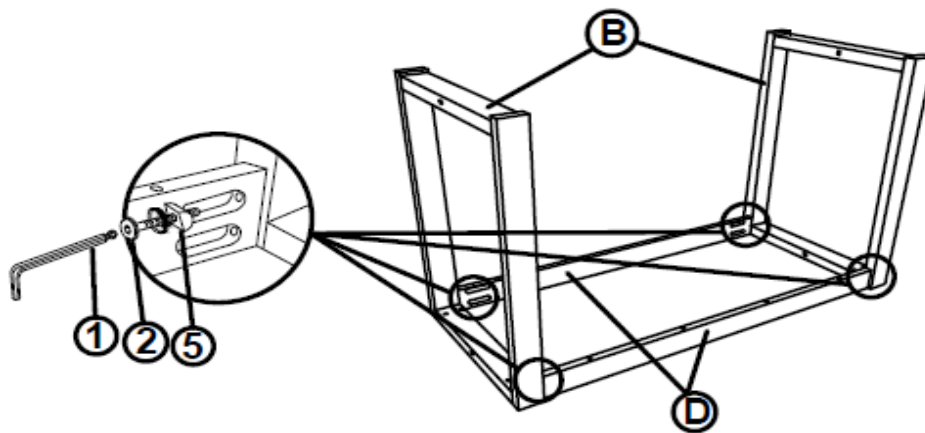
Phillips head screw driver is required in the assembly process; however, manufacturer does not provide this item.

ASSEMBLY INSTRUCTIONS

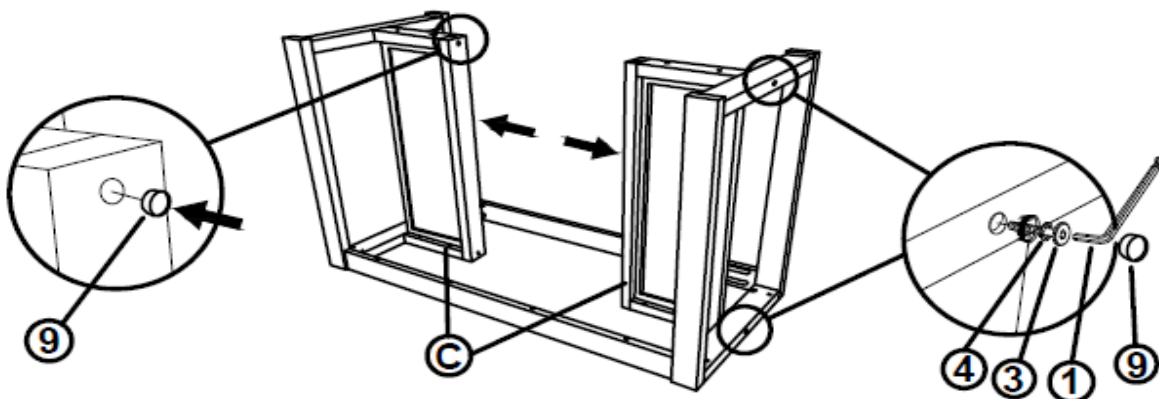
STEP 1



STEP 2

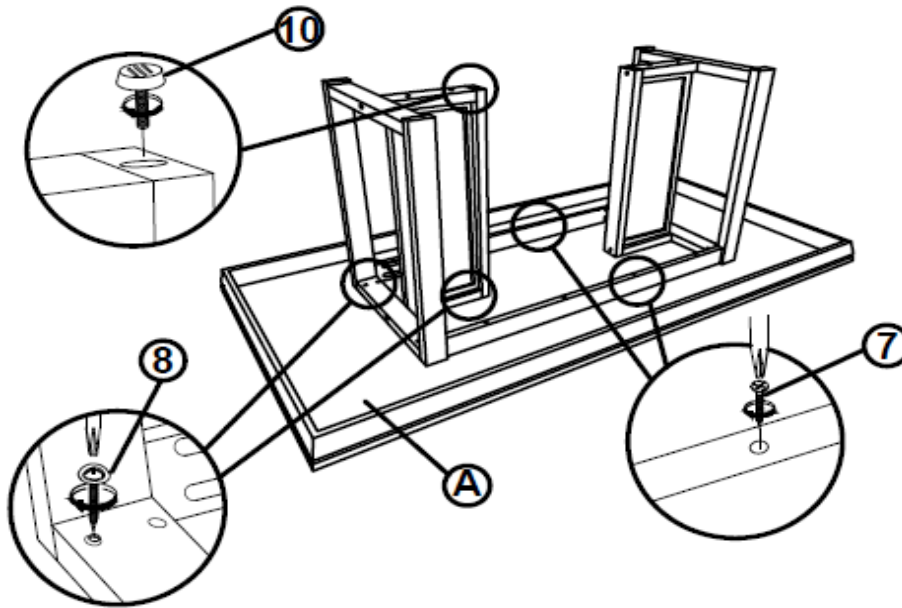


STEP 3



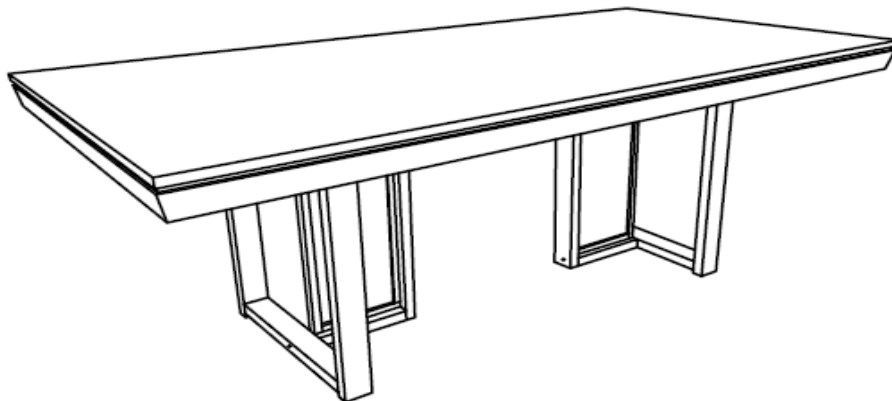
ASSEMBLY INSTRUCTIONS

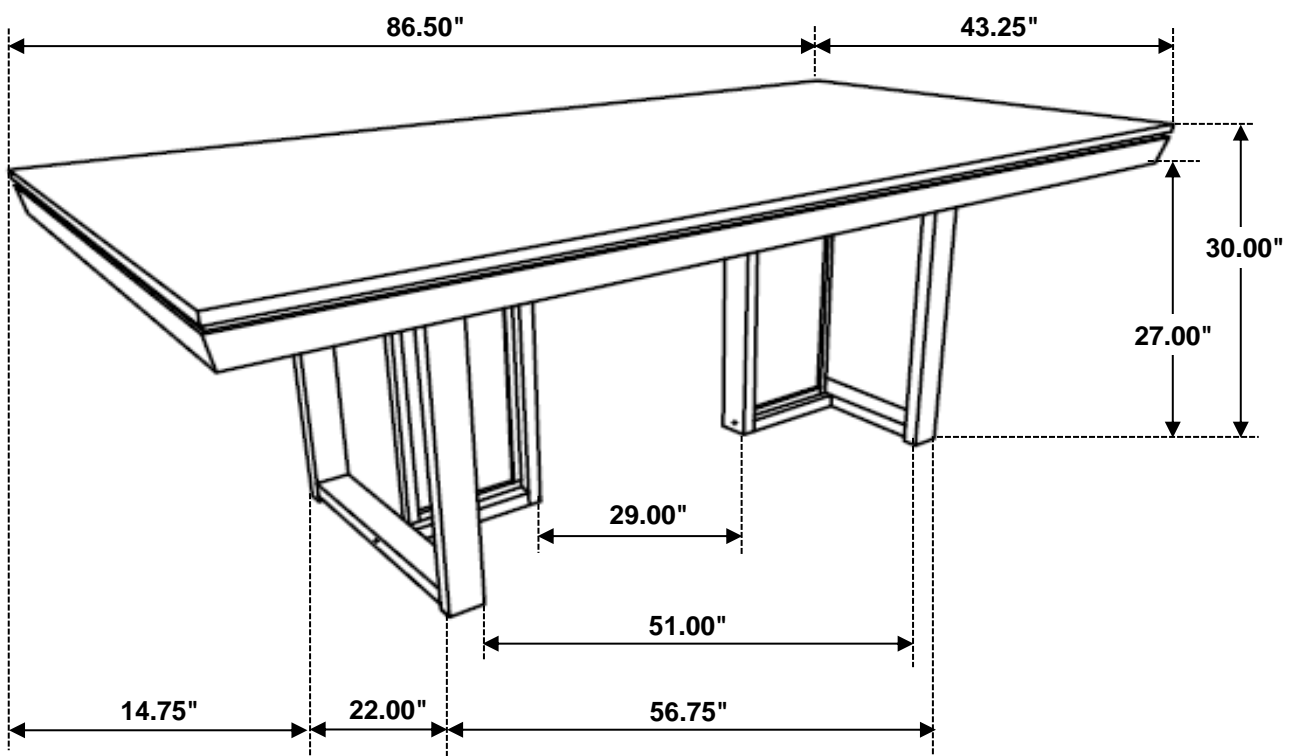
STEP 4



STEP 5

COMPLETE





Note: Dimension tolerance $\pm 5\%$