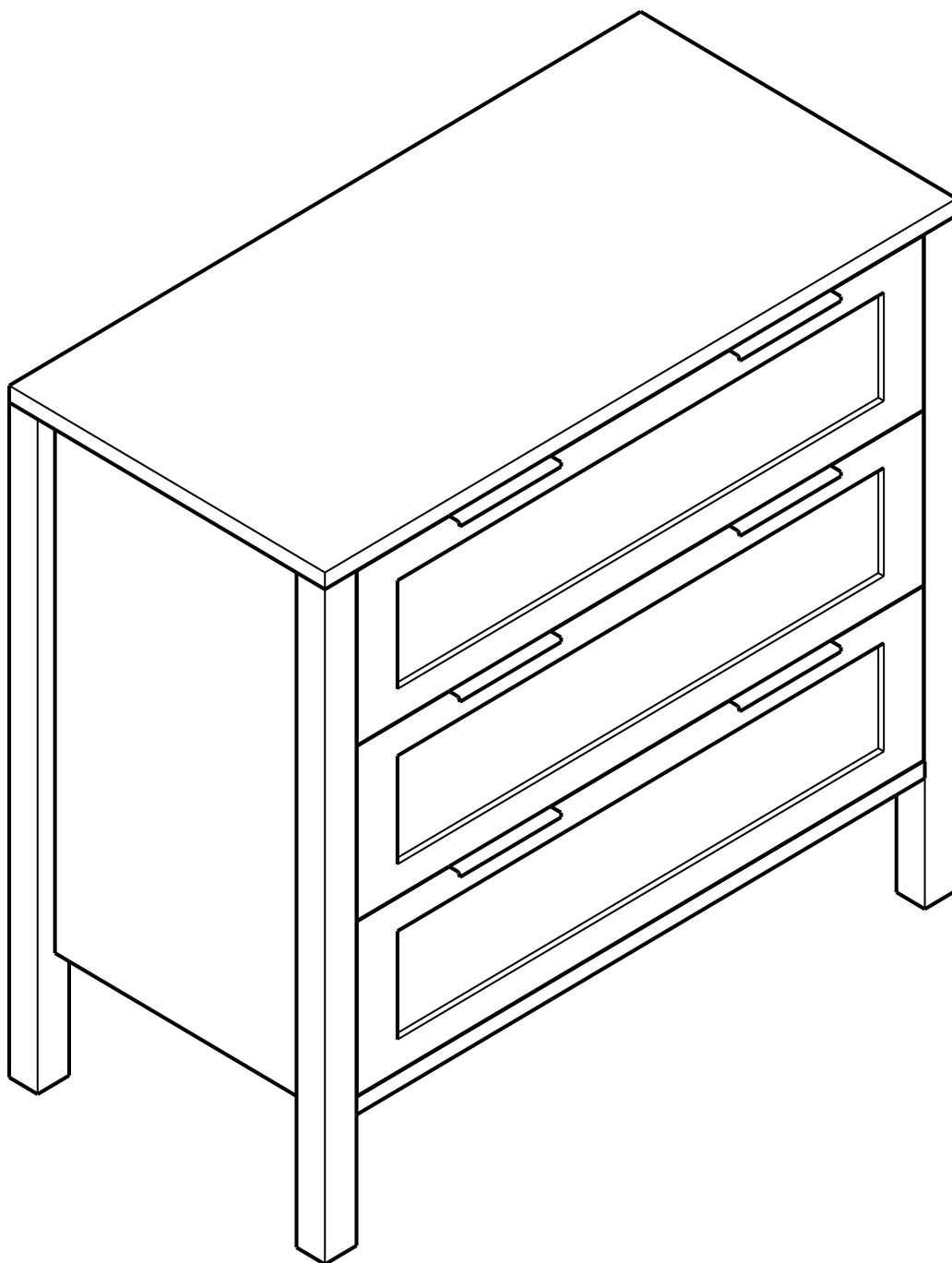


Assembly Instructions



warning notice



- Open your item in the area you plan to keep it for less heavy lifting.



- Identify, sort, and count the parts before attempting assembly.



-Lay all parts on smooth flat surface.



-Make sure to always face the point on the top of the Cam Lock towards the outer edge.



-Do NOT use harsh chemicals or abrasive cleaners on this item.



- Never push, pull, or drag your furniture.



Teamwork

Failure to use 2 people for assembly could result in unit damage or personal injury.

Before You Start

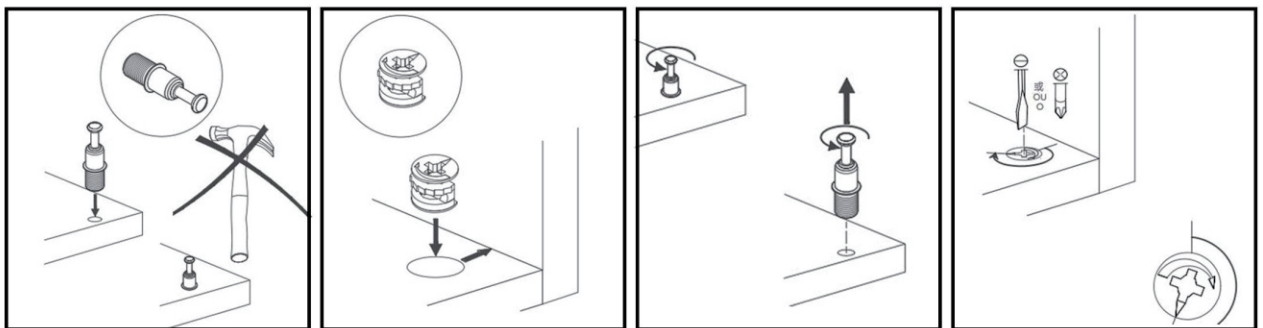
Read through each step carefully and follow the proper order

Separate and count all your parts and hardware

Give yourself enough room for the assembly process

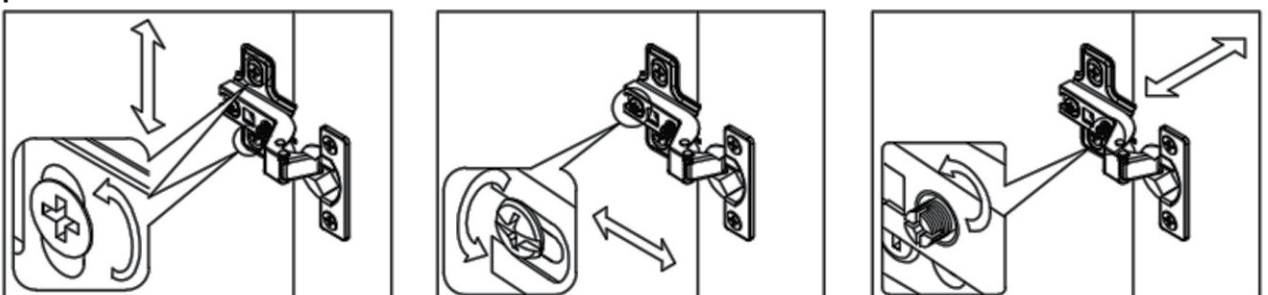
Have the following tools: Phillips Head Screwdriver and Hammer

Caution: If using a power drill or power screwdriver for screwing please be aware to slow down and stop when screw is tight. Failure to do so may result in stripping the screw.

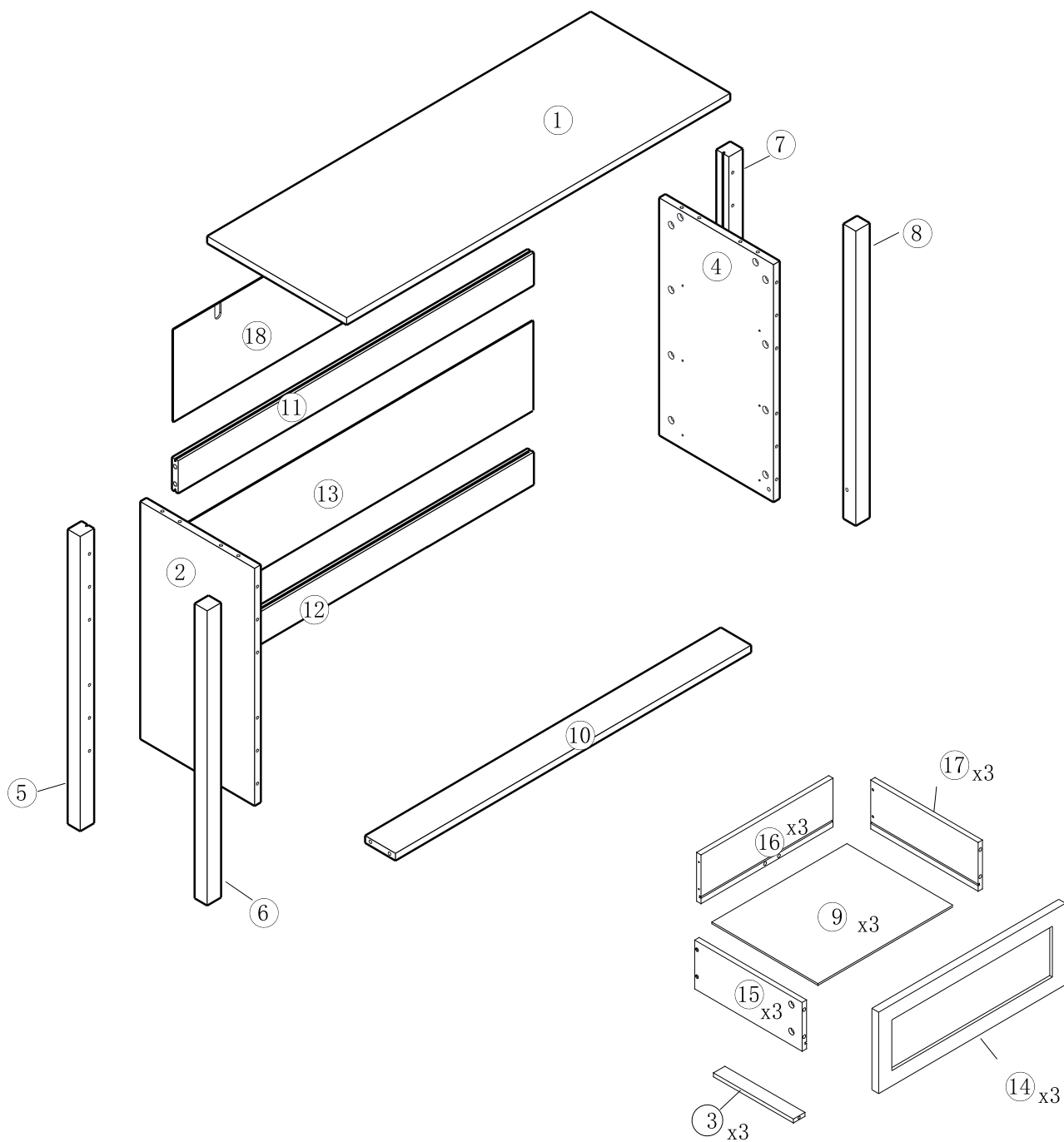


If the door panel is not sitting at a right position or angle, follow the steps below to improve.

- (1) Loosen the hinge, adjust the door panel position (up and down) then fasten the screws to secure the hinge (Step 1), or,
- (2) Loosen the middle screw of the hinge and adjust the door panel in and out, to desired position, then fasten the screws to secure the hinge (Step 2), or
- (3) Adjust the nut at the centre of the hinge to fine tune the tilting angle of the door panel (left or right) to make the door panel to be vertical.

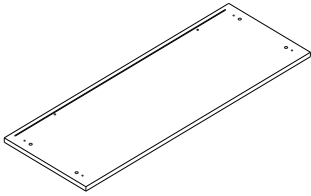


Components

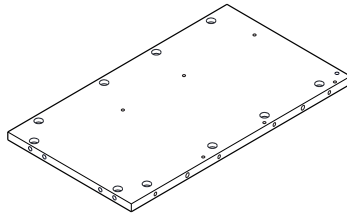


Components

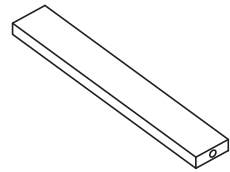
① 1PC



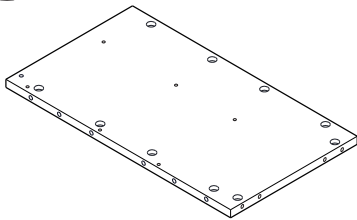
② 1PC



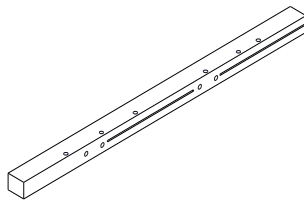
③ 3PC



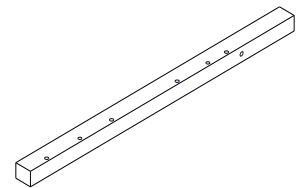
④ 1PC



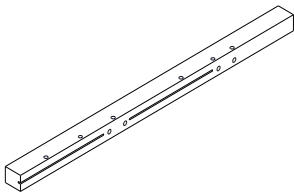
⑤ 1PC



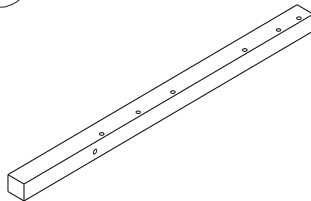
⑥ 1PC



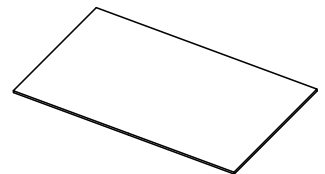
⑦ 1PC



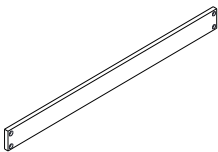
⑧ 1PC



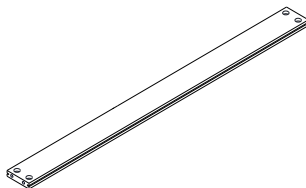
⑨ 3PC



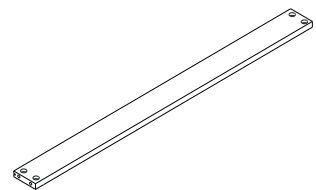
⑩ 1PC



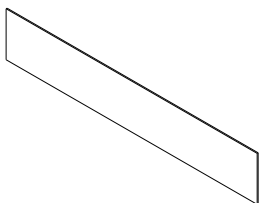
⑪ 1PC



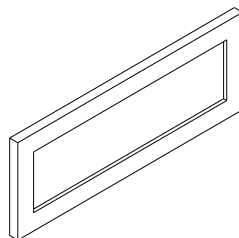
⑫ 1PC



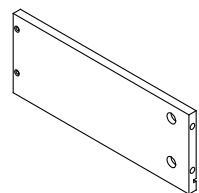
⑬ 1PC



⑭ 3PC

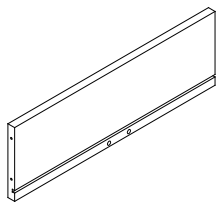


⑮ 3PC

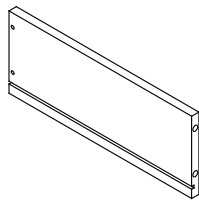


Components

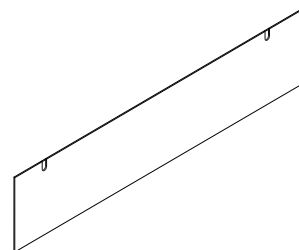
16 3PC



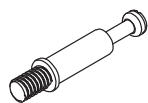
17 3PC



18 1PC



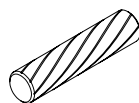
Components



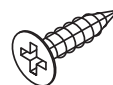
A x 47 +2



B x 47 +2

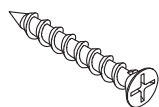


C x 12 +2



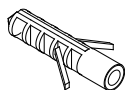
M3.5x12mm

D x 24 +2

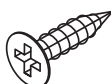


M4x35mm

E x 20 +2

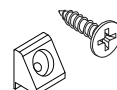


F x 2

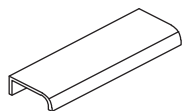


M3.5x14mm

G x 12 +1



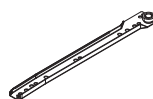
H x 8



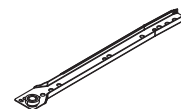
I x 6



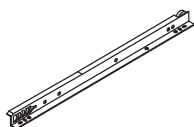
J x 2



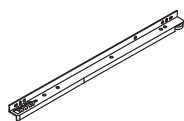
CR x 3



CL x 3



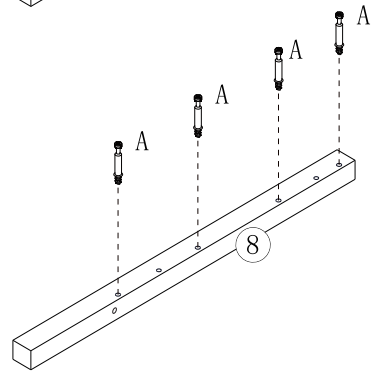
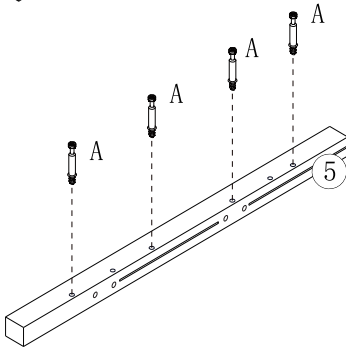
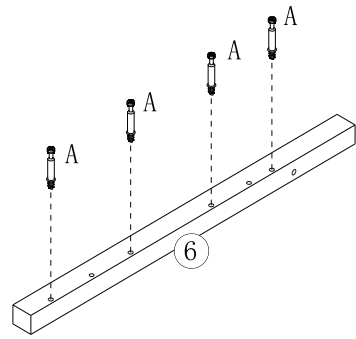
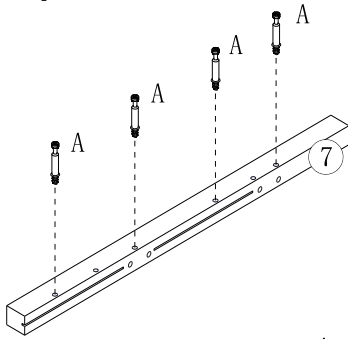
DL x 3



DR x 3

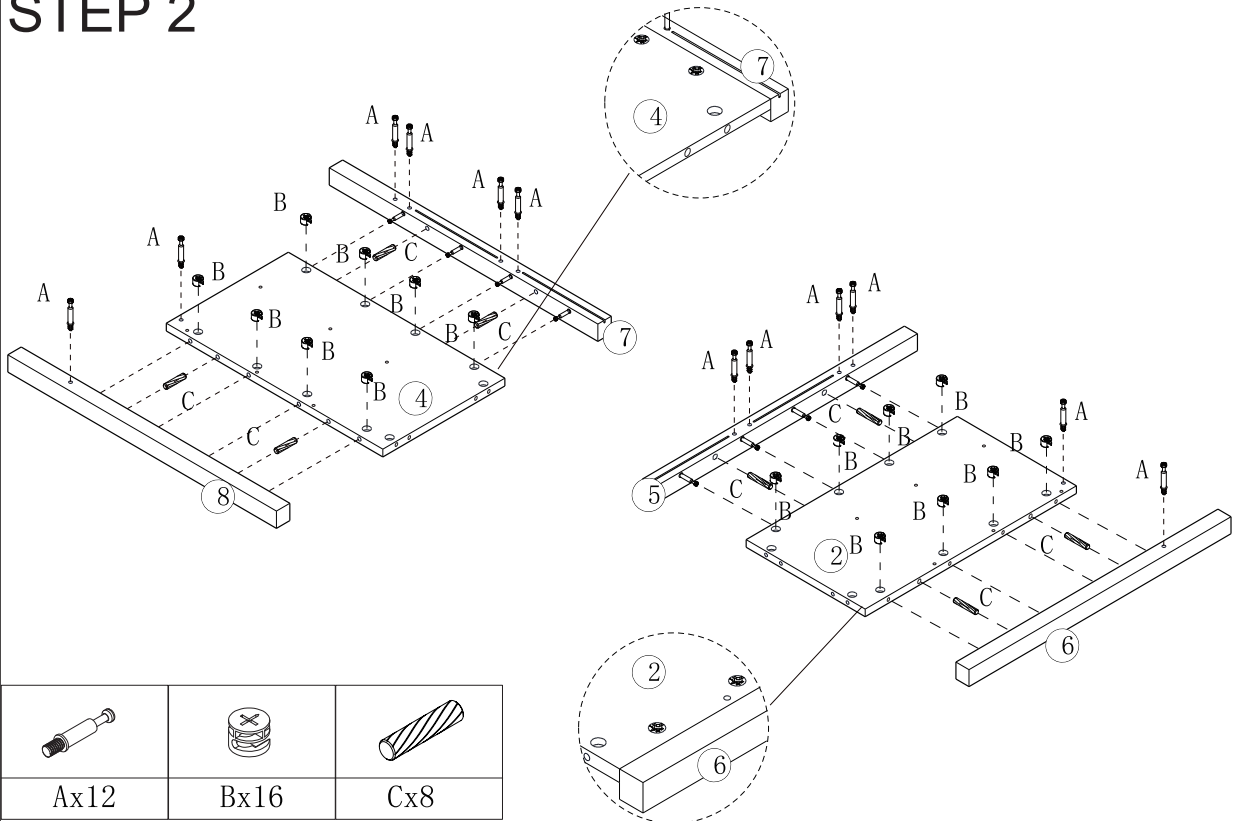
Assembly Instructions

STEP 1



Ax16

STEP 2



Ax12



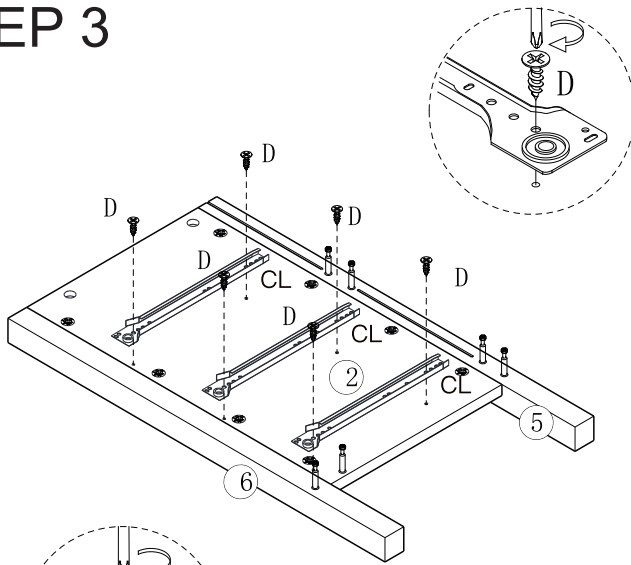
Bx16



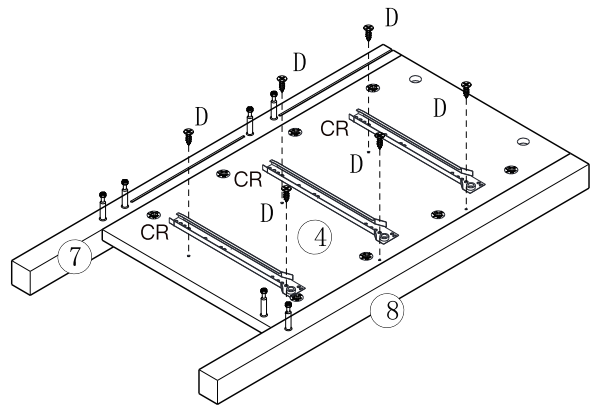
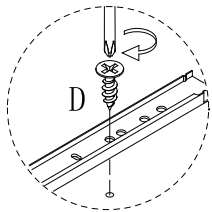
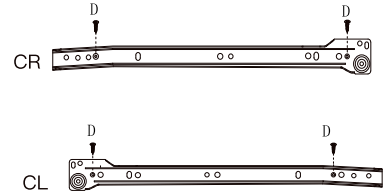
Cx8

Assembly Instructions

STEP 3



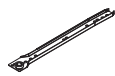
REMARK:



Dx12

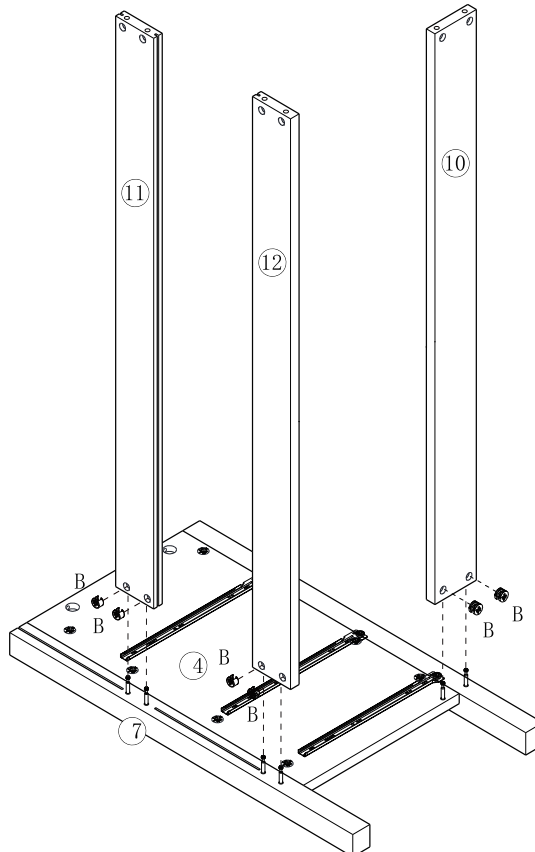


CRx3



CLx3

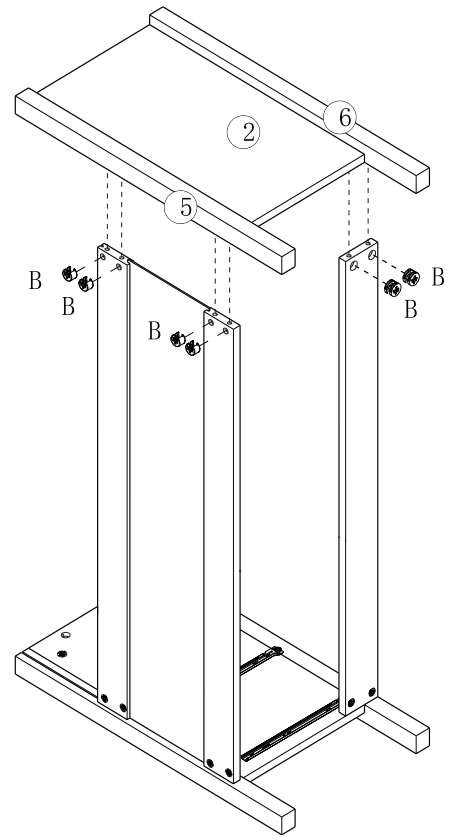
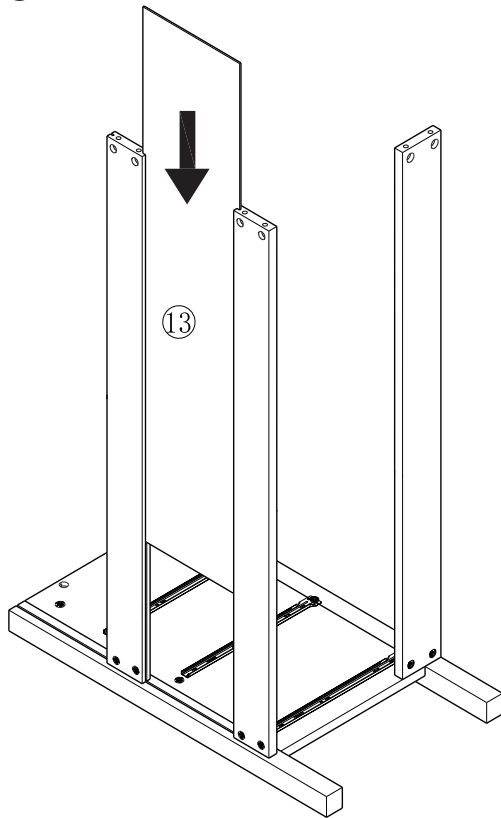
STEP 4



Bx6

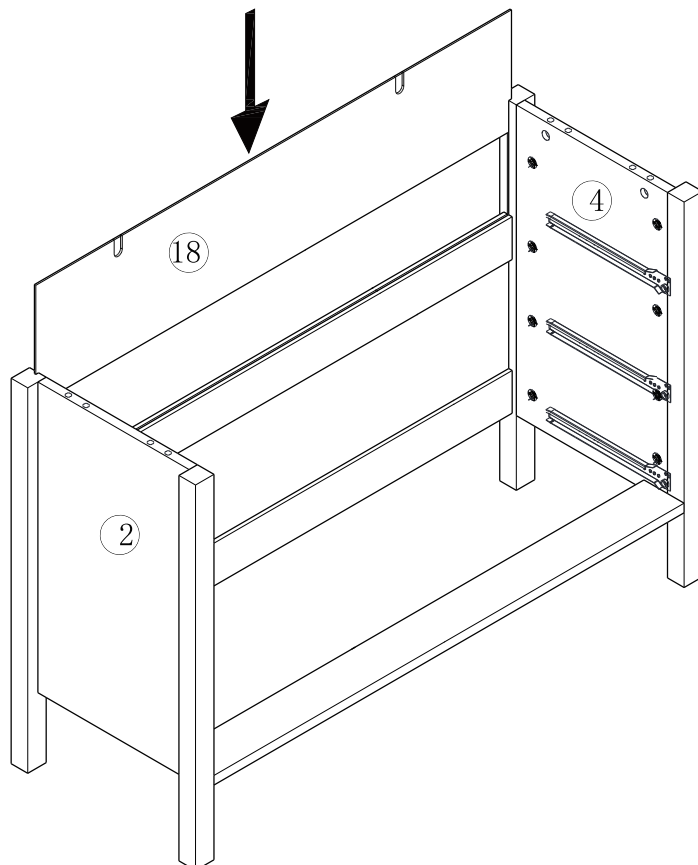
Assembly Instructions

STEP 5



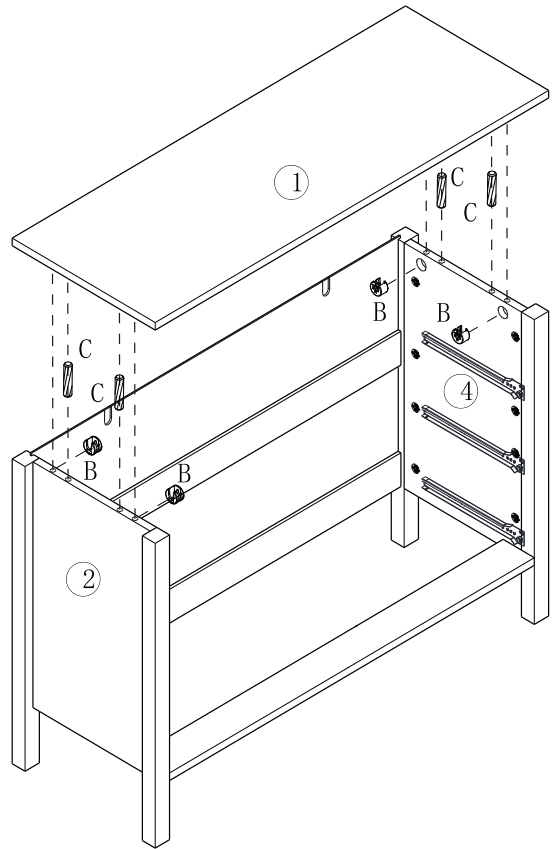
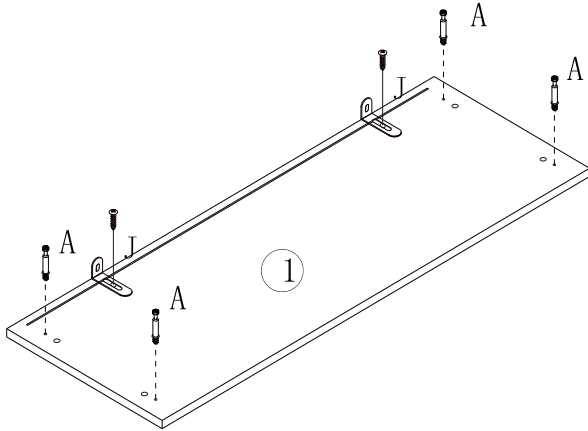
Bx6



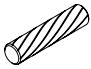

STEP 6



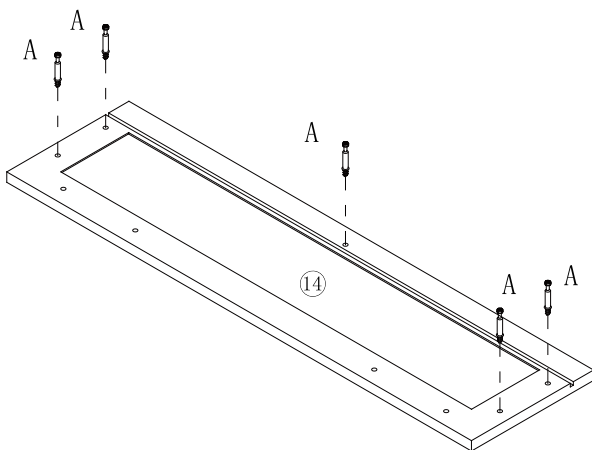
Assembly Instructions

STEP 7

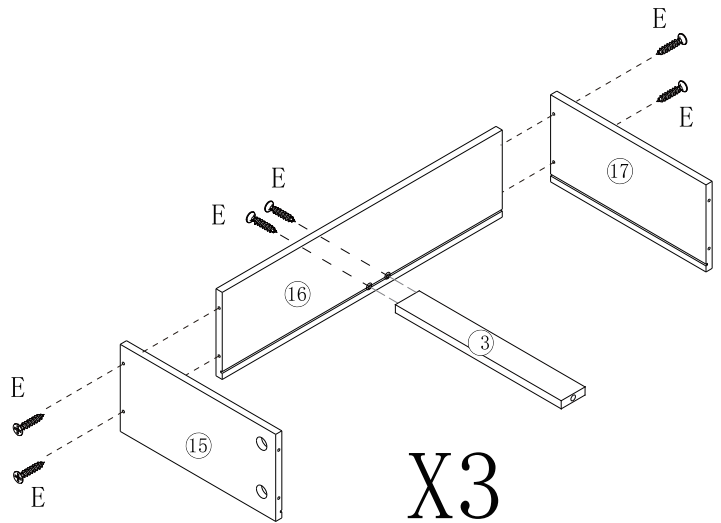


			
Ax4	Bx4	Cx4	Jx 2



STEP 8



X3

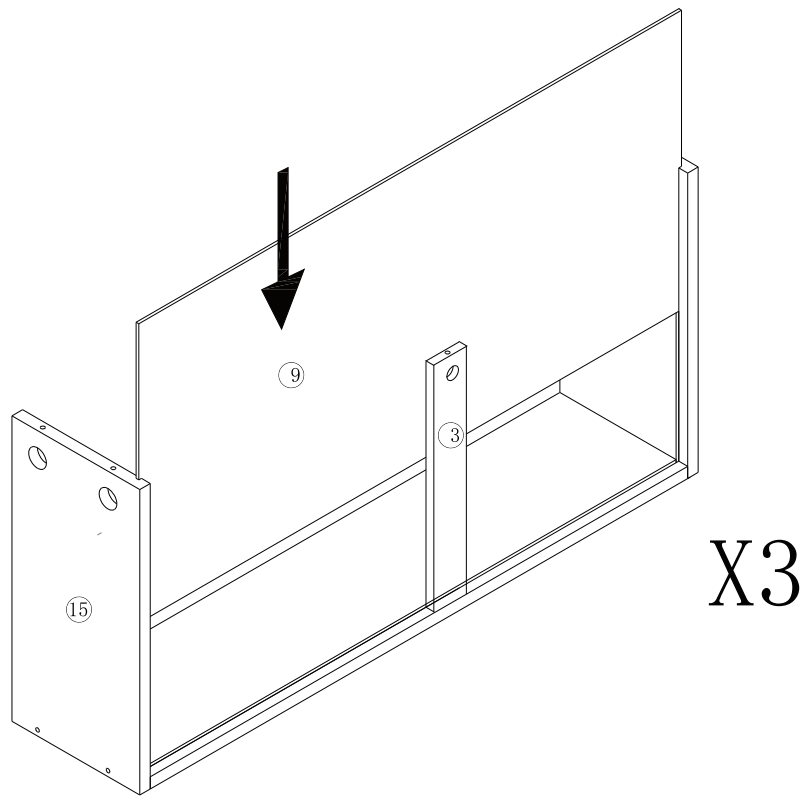


X3

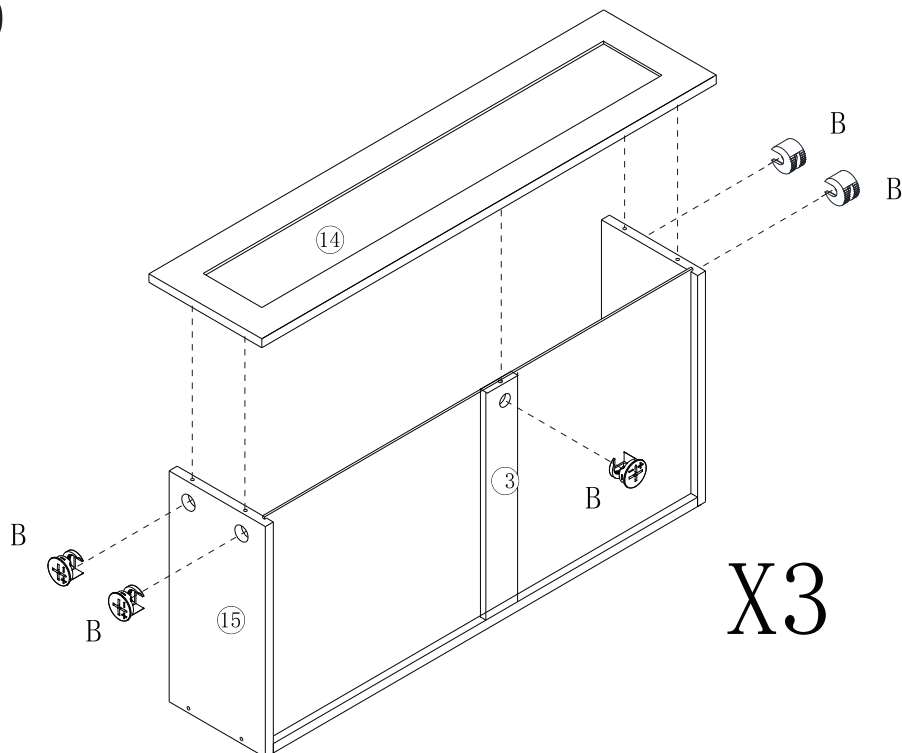
	
Ax15	Ex18

Assembly Instructions

STEP 9



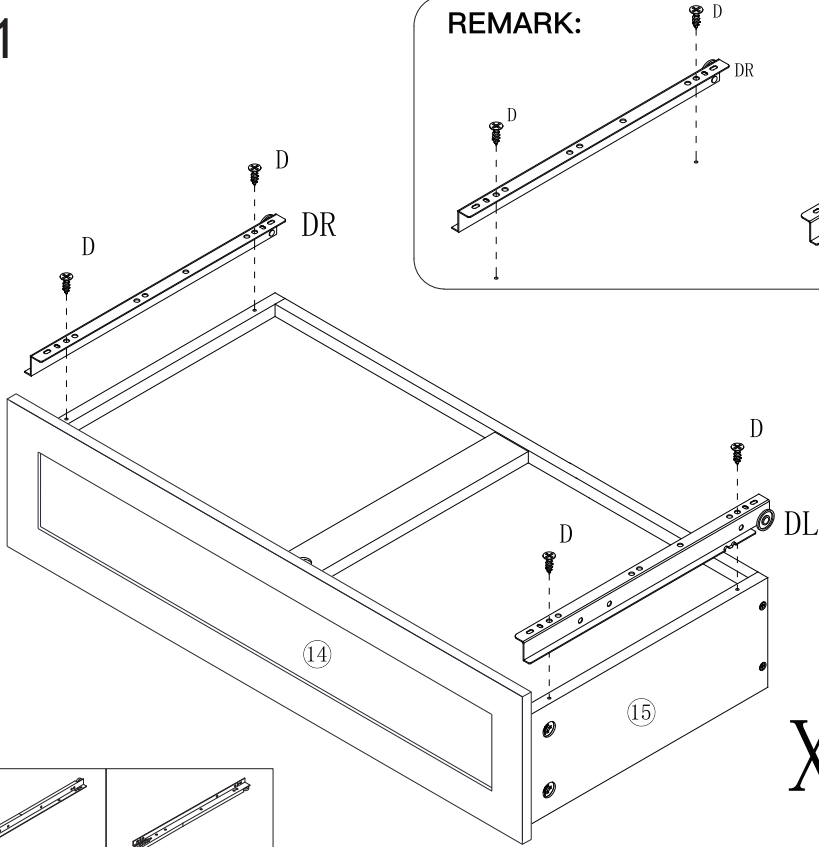
STEP 10



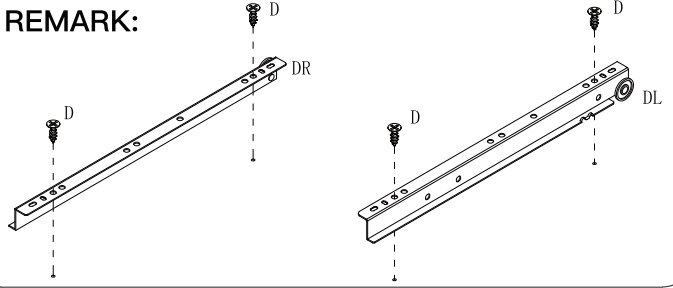
Bx 15

Assembly Instructions

STEP 11



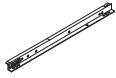
REMARK:



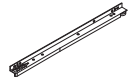
X3



Dx12

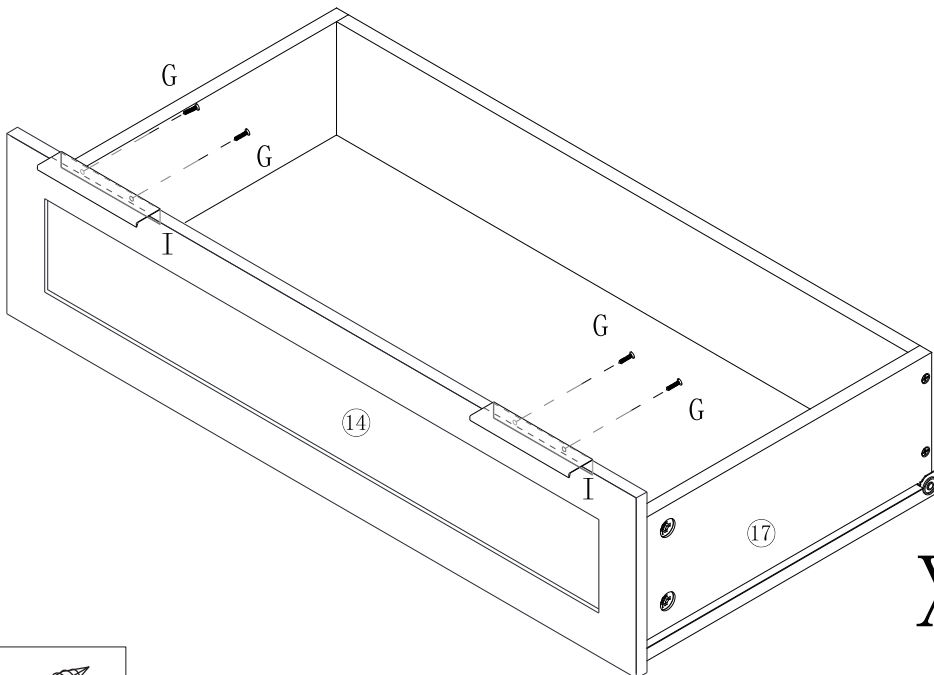


DL x3



DR x3

STEP 12



X3



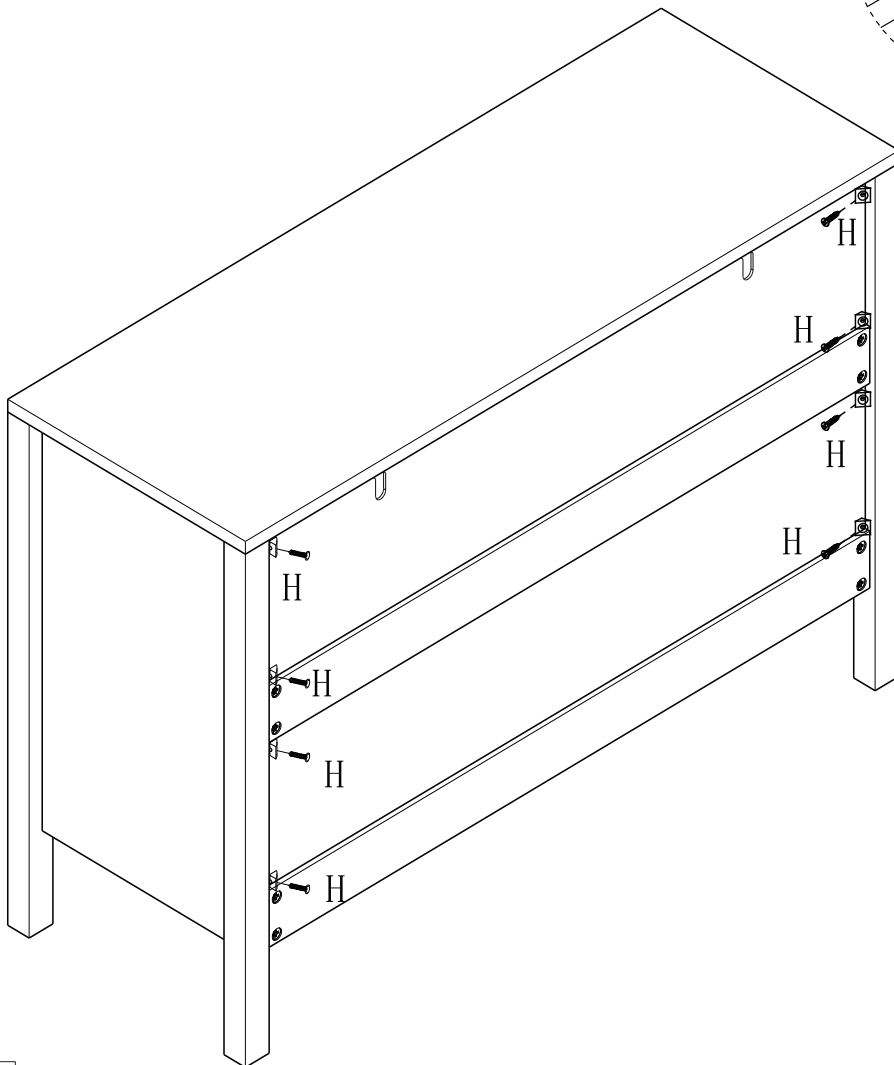
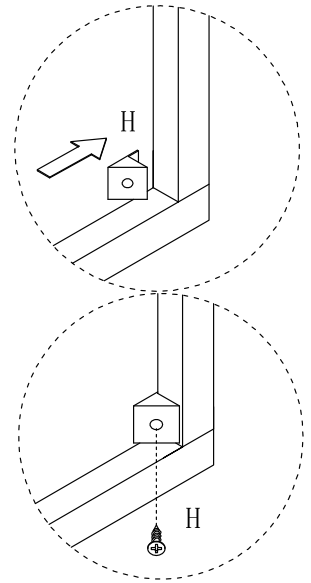
Ix6



Gx12

Assembly Instructions

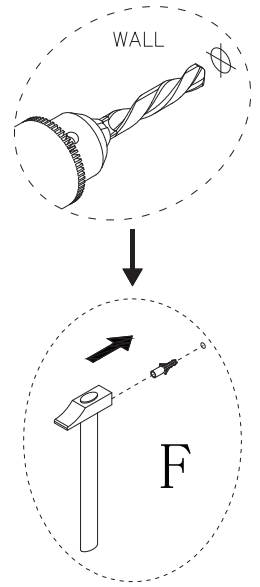
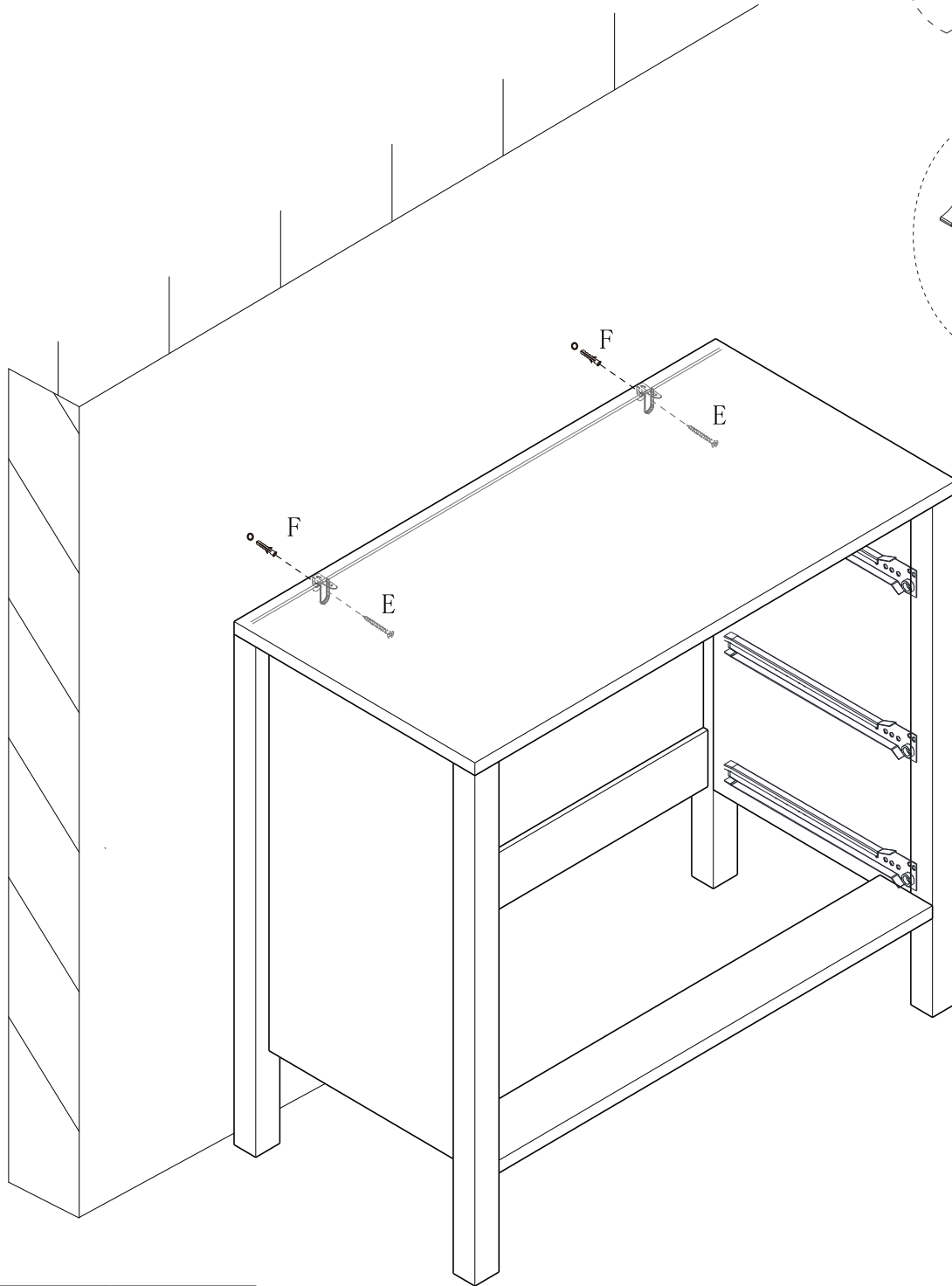
STEP 13

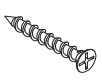
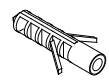


Hx8

Assembly Instructions

STEP 14



	
Ex2	Fx2

Assembly Instructions

STEP 15

