

# Shower panel installation and Operation Guide

---

## Caution:

Before connecting the shower panel , please flush out the debris inside the hot and cold water pipe . Installation without flushing out the debris might reduce water pressure , and cause damage and clogging to the hose and pipe.



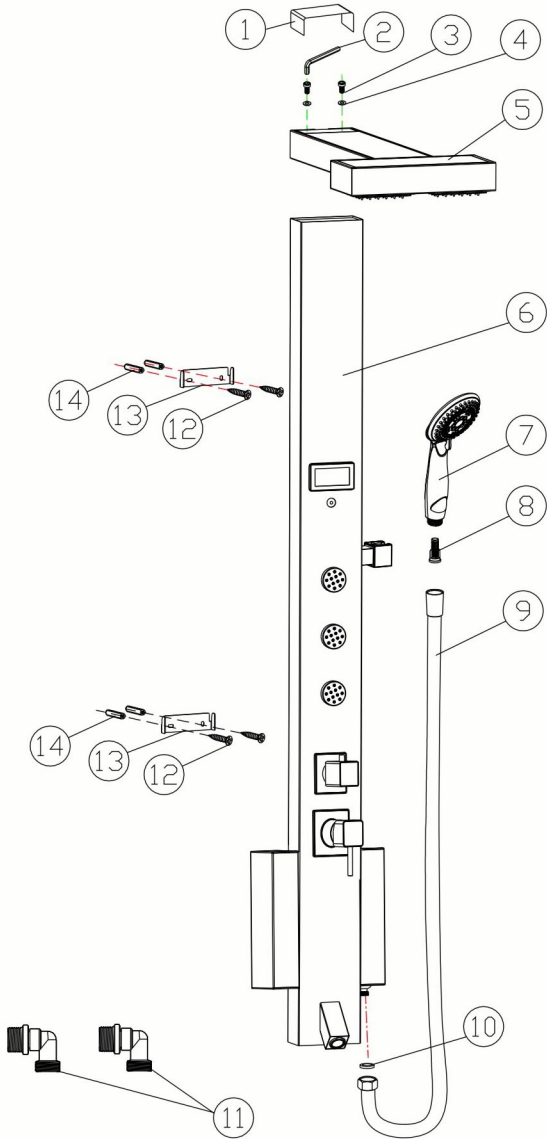
851-351



830-37

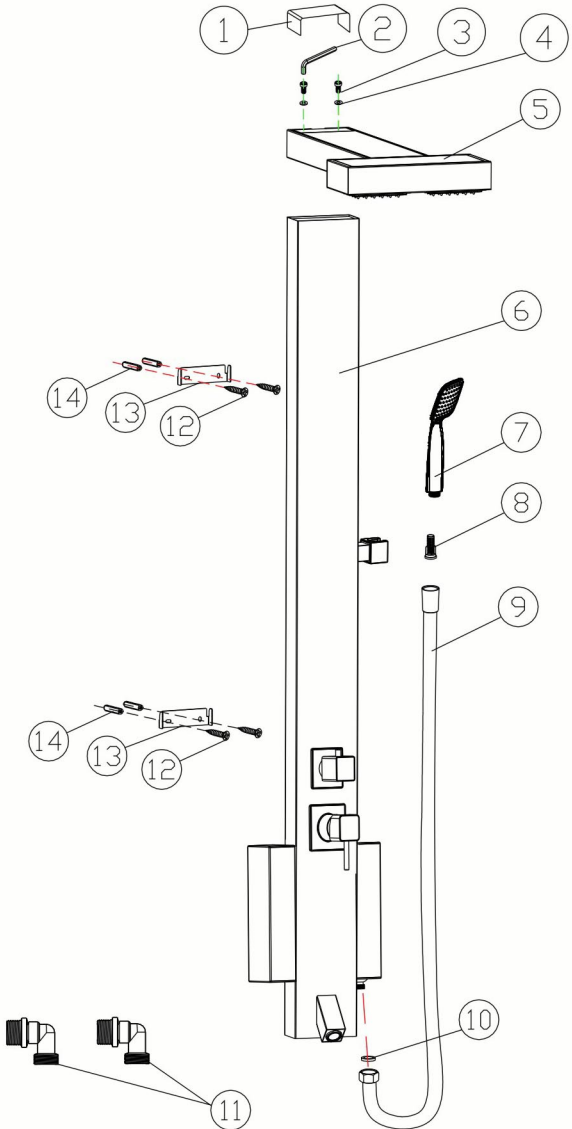
# 1.Part list

## 851-351



①	Cover	⑥	Shower panel body	⑪	Brass Elbow (Optional part)
②	Hex key	⑦	Handheld Shower Head	⑫	M4X20 Screws
③	M8X25 Screw	⑧	Shower Head Filter	⑬	Mounting Bracket
④	M8 Ring	⑨	Shower head hose	⑭	Plastic Expand Plug
⑤	Rainfall Shower Part	⑩	Rubber washer		

830-37



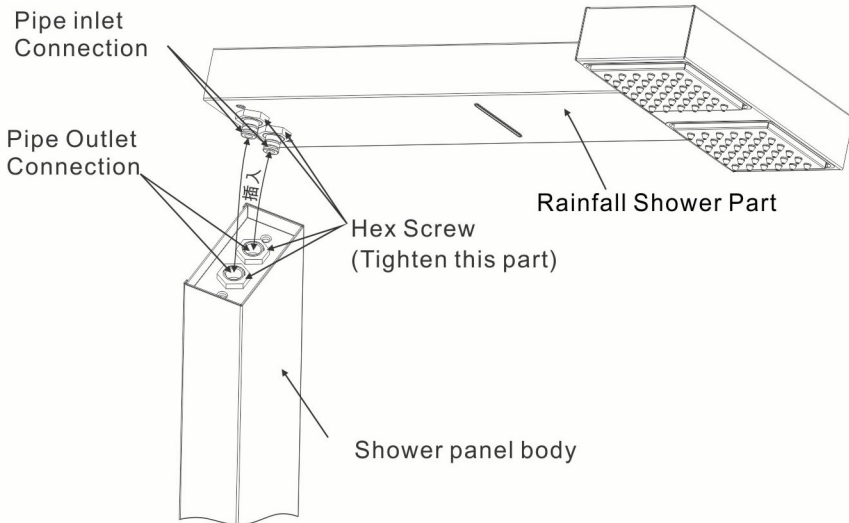
①	Cover	⑥	Shower panel body	⑪	Brass Elbow (Optional part)
②	Hex key	⑦	Handheld Shower Head	⑫	M4X 20 Screws
③	M8X25 Screw	⑧	Shower Head Filter	⑬	Mounting Bracket
④	M8 Ring	⑨	Shower head hose	⑭	Plastic Expand Plug
⑤	Rainfall Shower Part	⑩	Rubber washer		

## 2. Install the Rainfall Shower Part

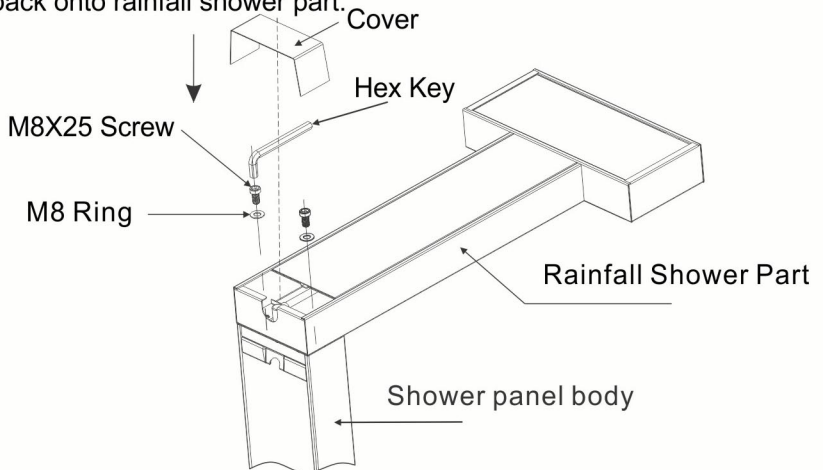
1). Take out the cover on the rainfall shower part.



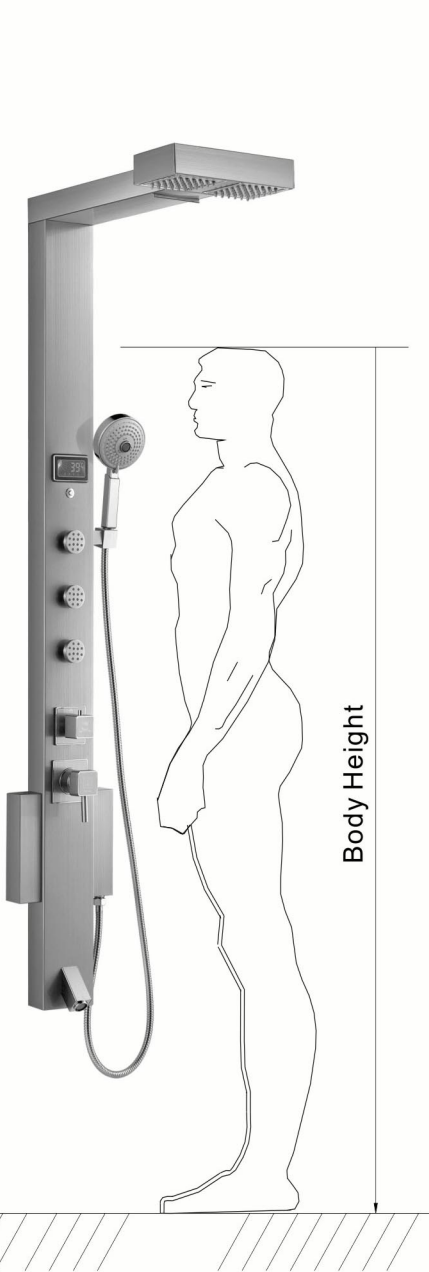
2). Before connecting the rainfall shower part, first tighten the hex screw on the pipe inlet and outlet . And then place the rainfall shower part onto the shower panel body , and connect the pipe inlet and outlet together.(see picture below).



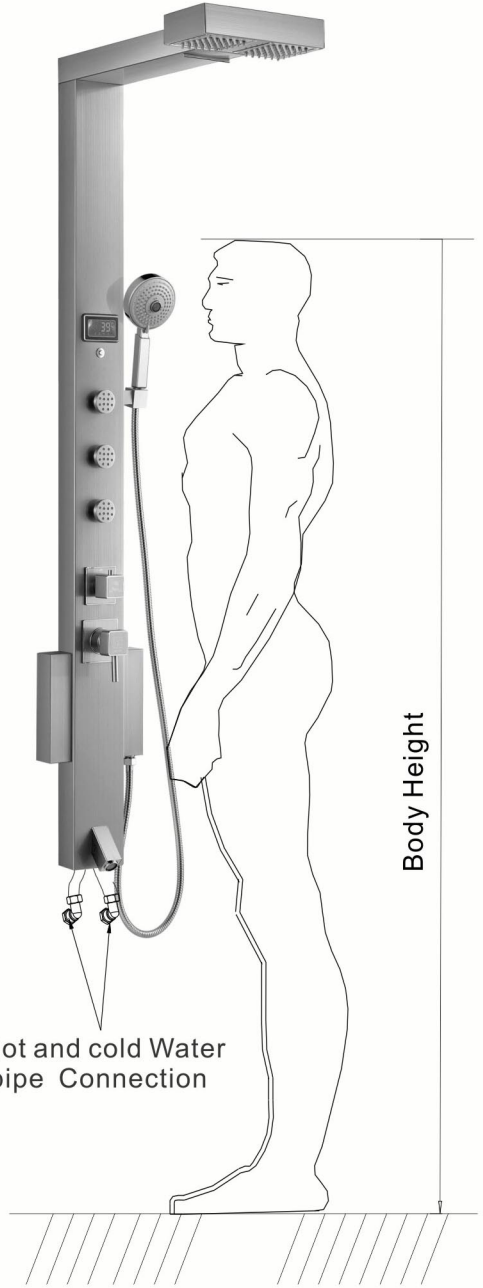
3). Use the hex wrench to tighten the M8X25 Screw in the rainfall shower part , and put the cover back onto rainfall shower part.



3. Based on the height of the user(s) and location of the hot/cold pipe inlet, select concealed or unfold installation. (see picture below)



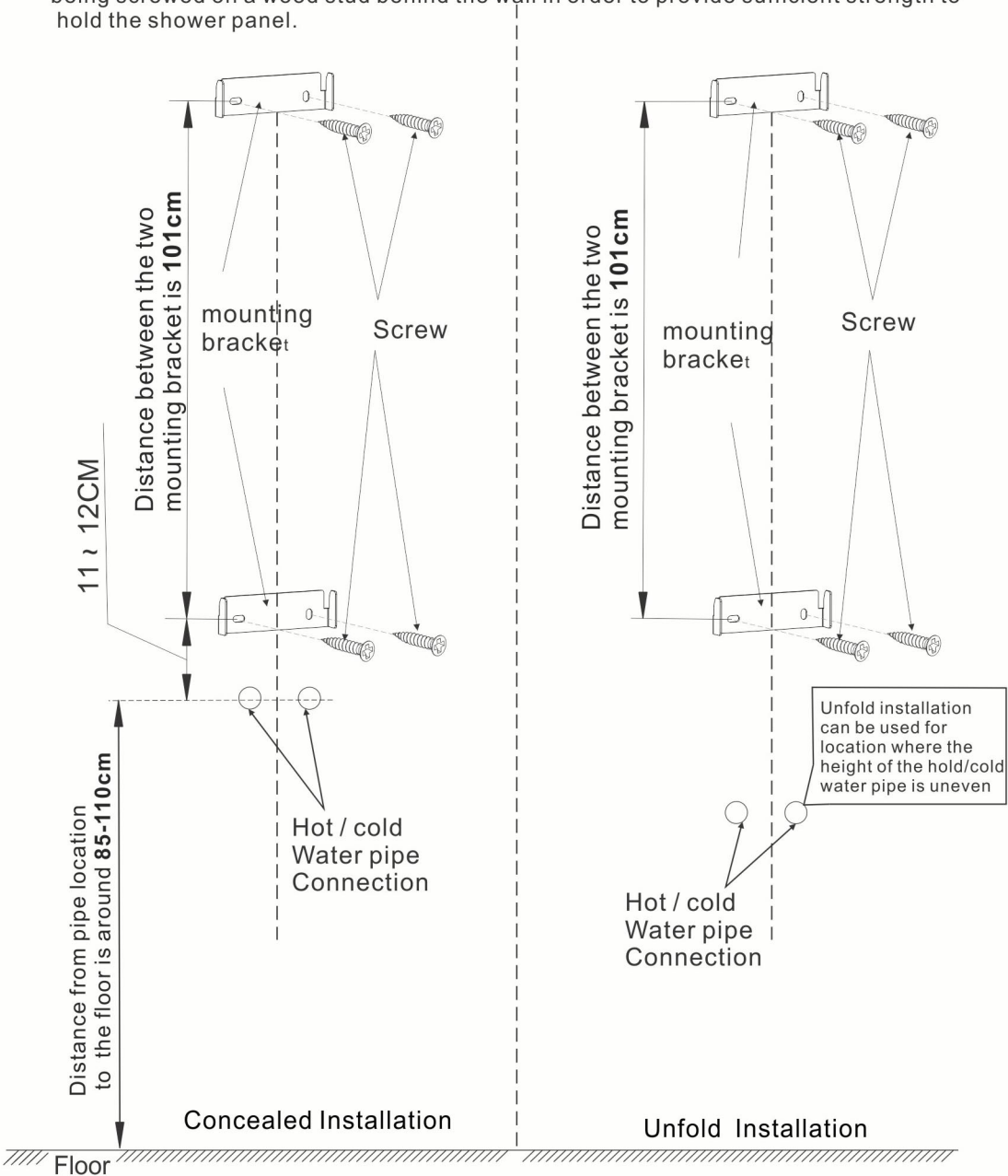
Concealed Installation



Unfold Installation

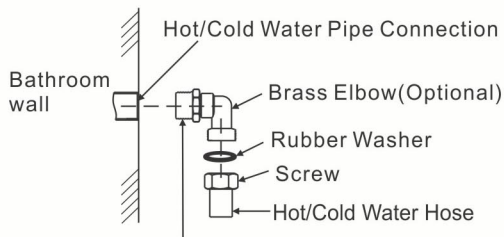
## 4. Installing the mounting bracket

Base on the height you want to install the shower panel , mark and drill 4 screw holes on the wall. Once the hole is drilled , Put in the plastic expand plug and screw the mounting bracket onto the wall. When screwing the mounting bracket , please make sure that it is being screwed on a wood stud behind the wall in order to provide sufficient strength to hold the shower panel.

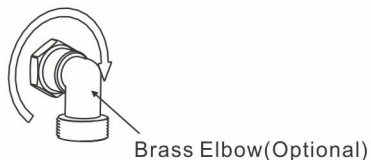


## 5. Connection and Hanging of shower panel Body

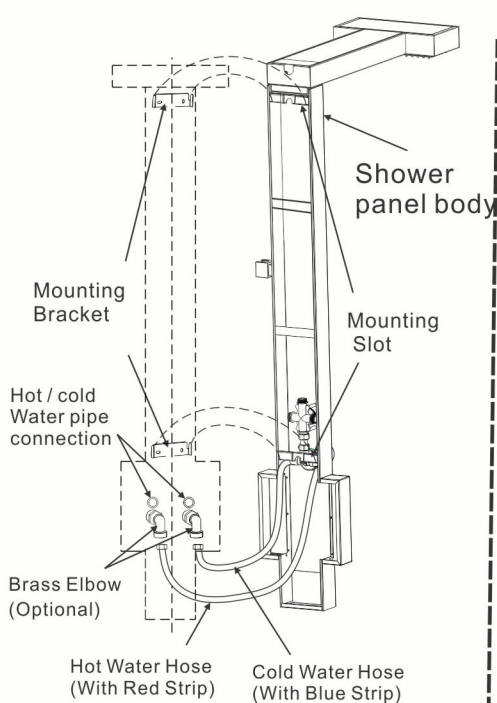
Before connecting, please switch on water supply to flush out the debris (i.e. rust and small particle) inside the water pipe. Failure to do so might cause hoses to be clogged. To install, use Teflon Tape to wrap around the fitting of the water pipe, insert a rubber washer with mesh onto the hoses, and simply connect the 1/2 "hoses with a 1/2" pipe fitting. After connection is done, switch on the water to make sure no leaking occurs. To mount the shower panel, screw the mounting bracket onto the wall, and simply mount the shower panel onto the mounting bracket. When screwing the mounting bracket, please make sure that it is being screwed on a wood stud behind the wall to provide sufficient strength to hold the shower panel. (See Picture Below)



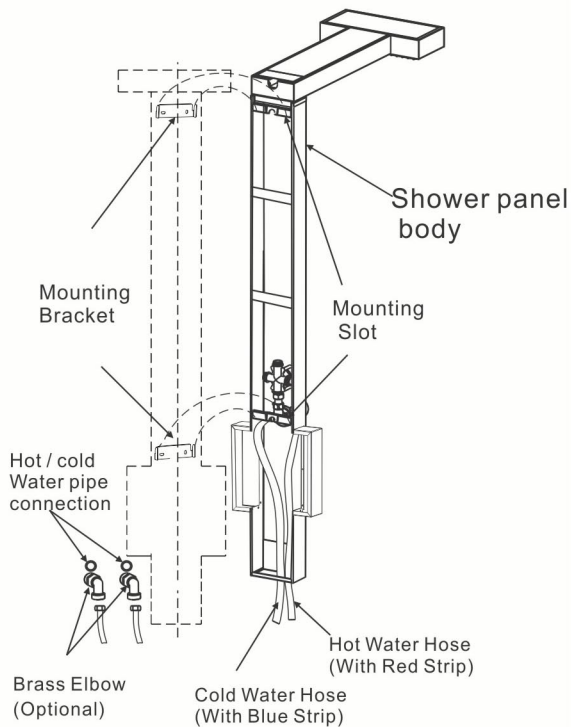
the bent pipe can be turned 360 °



Wrap with Teflon Tape

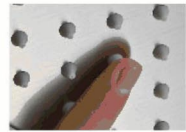
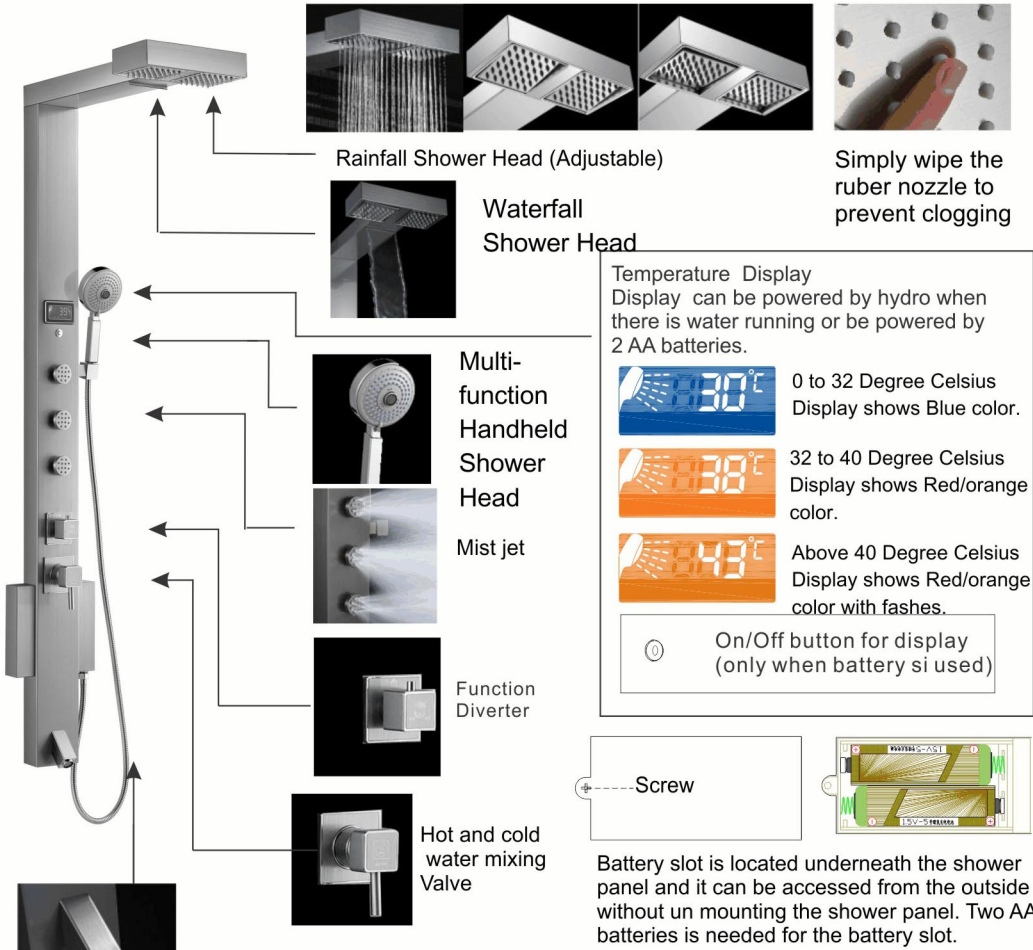


Concealed installation



Unfold installation

# 6.Function Description



Simply wipe the rubber nozzle to prevent clogging

**Temperature Display**  
 Display can be powered by hydro when there is water running or be powered by 2 AA batteries.

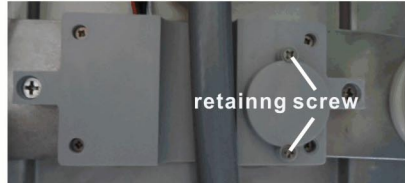
	0 to 32 Degree Celsius Display shows Blue color.
	32 to 40 Degree Celsius Display shows Red/orange color.
	Above 40 Degree Celsius Display shows Red/orange color with flashes.

On/Off button for display (only when battery is used)

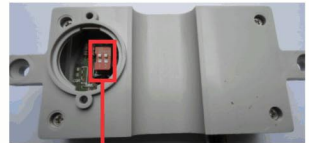
Screw

AA BATTERY

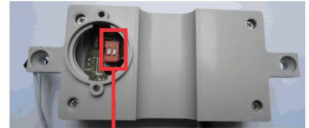
Battery slot is located underneath the shower panel and it can be accessed from the outside without unmounting the shower panel. Two AA batteries is needed for the battery slot.



Take out this two screws behind the indicator(as above)  
 Take off the cover(as above)



Switch 2 to ON for Fahrenheit (Button 1 is for languag)



\*Battery will need to be removed when switching the button  
 \*\*When screwing the cover back on to the display ,please makesure not to over tight the screw ,or it might break the cover