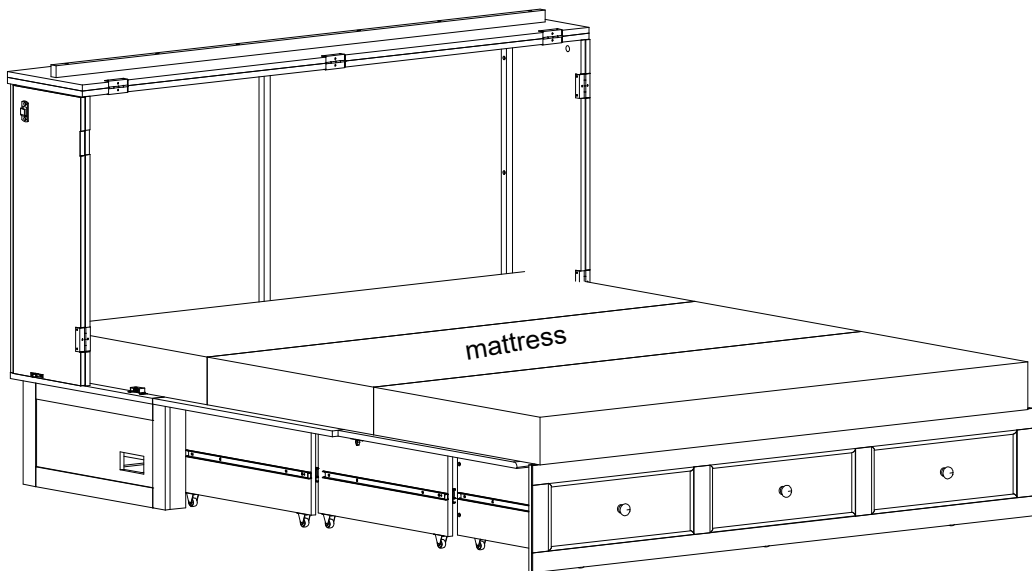
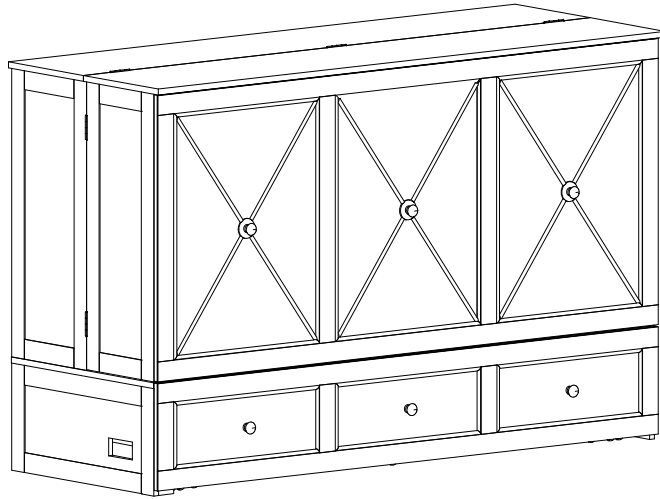
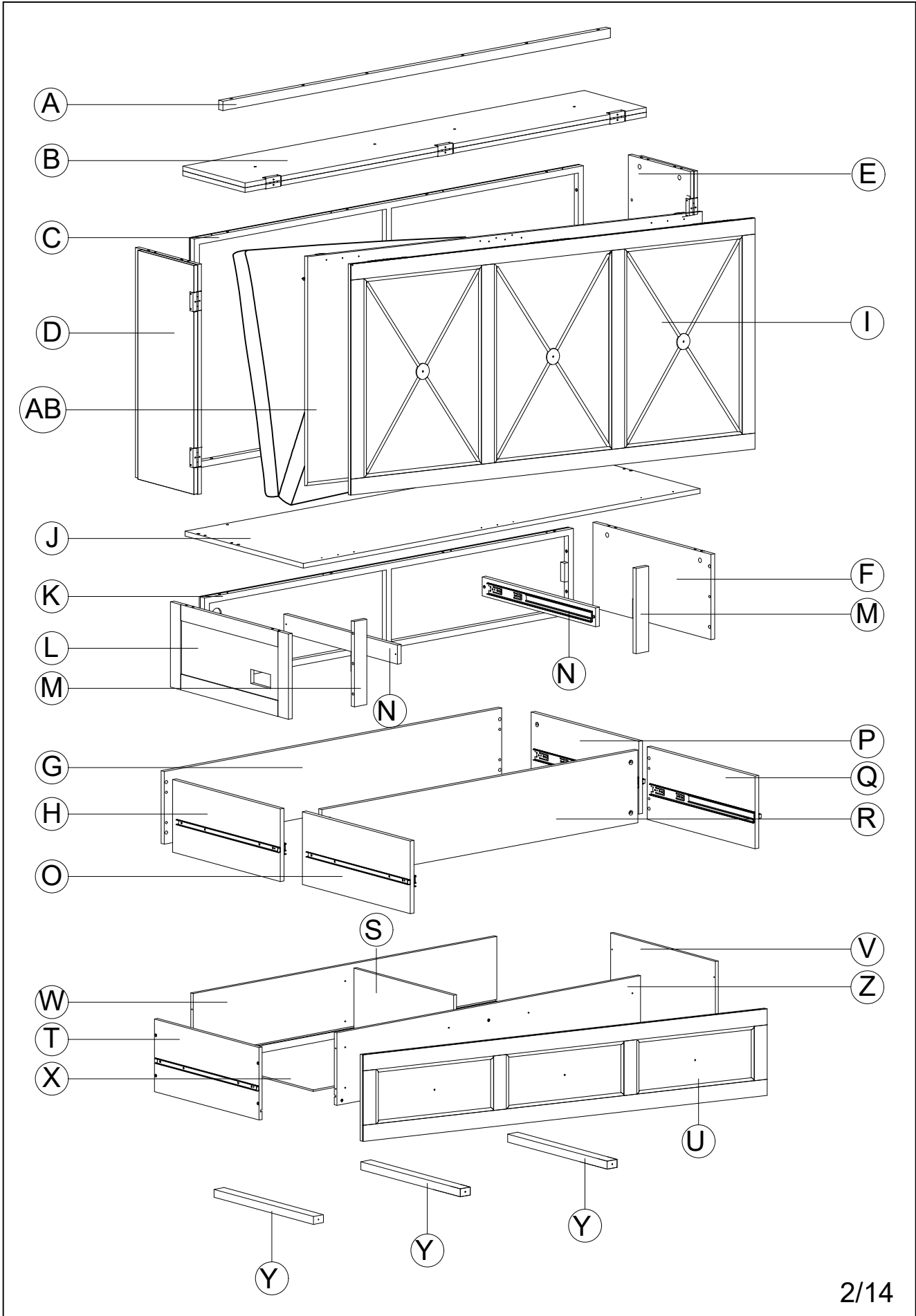

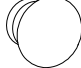
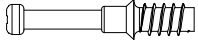

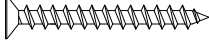
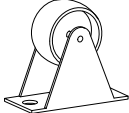

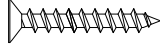
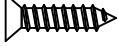

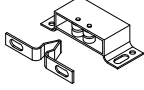
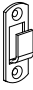

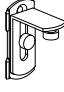



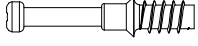
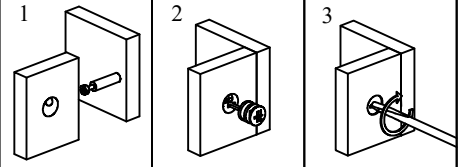


INSTALLATION GUIDE

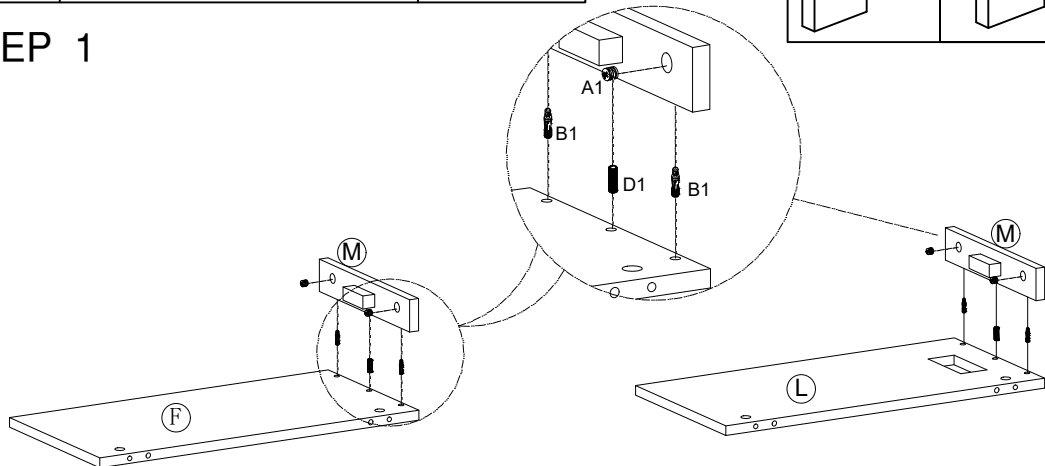




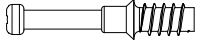


A1	 KD Cam	24 PCS	H1		6 PCS
B1		24 PCS	I1		1 PCS
C1	 #8-Ø4X30	50 PCS	J1		14 PCS
D1	 8 x 30MM	42 PCS	K1	 #8-Ø4X20	8 PCS
E1	 #7-Ø3.5X14	76 PCS	L1		1 PCS
F1		2 PCS	M1		2 PCS
G1	 M4 X 30mm	2 PCS	N1		2 PCS
O1	 M4 X 25mm	4 PCS			

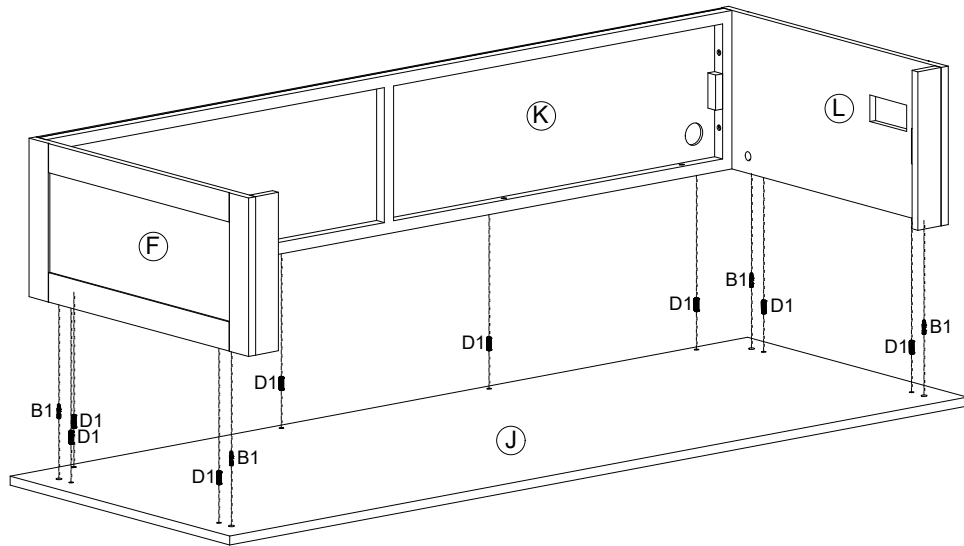
A1	 KD Cam	4 PCS	D1	 8 x 30MM	2 PCS
B1		4 PCS			

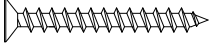
STEP 1



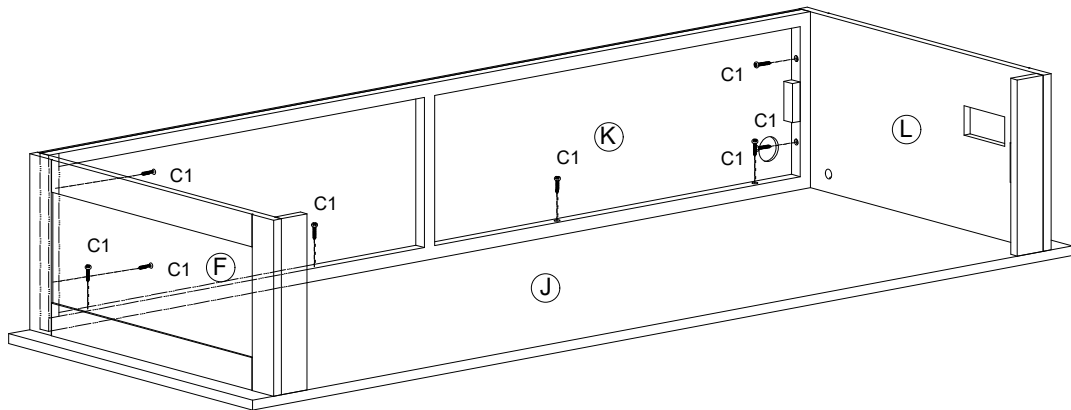
A1	 KD Cam	4 PCS	D1	 8 x 30MM	8 PCS
B1		4 PCS			


STEP 2



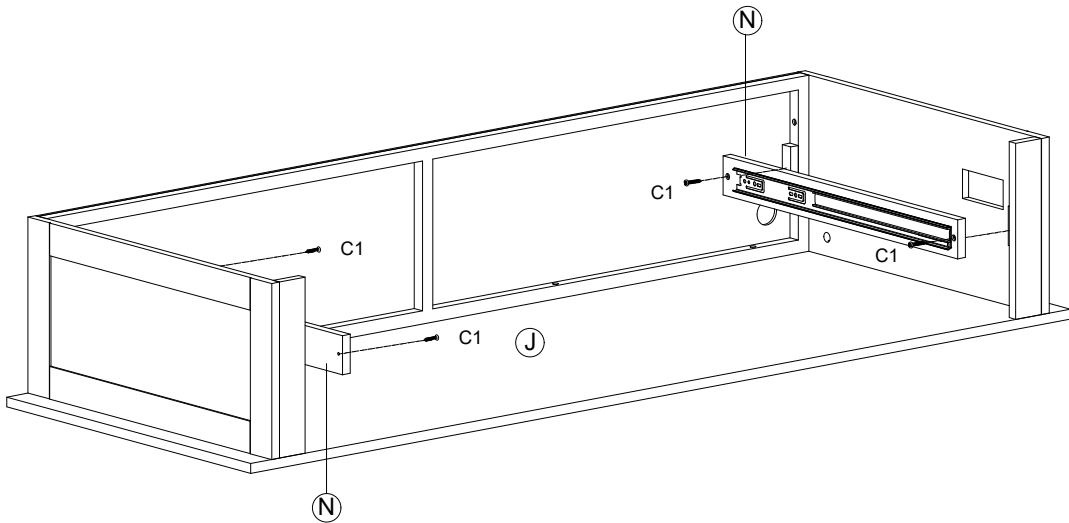
C1	 #8-Ø4X30	8 PCS			
----	---	-------	--	--	--


STEP 3

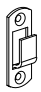


C1	 #8-Ø4X30	4 PCS			
----	---	-------	--	--	--

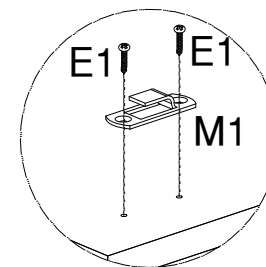
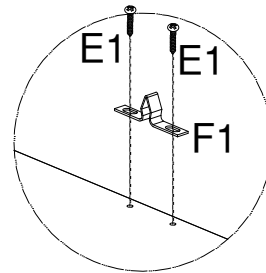
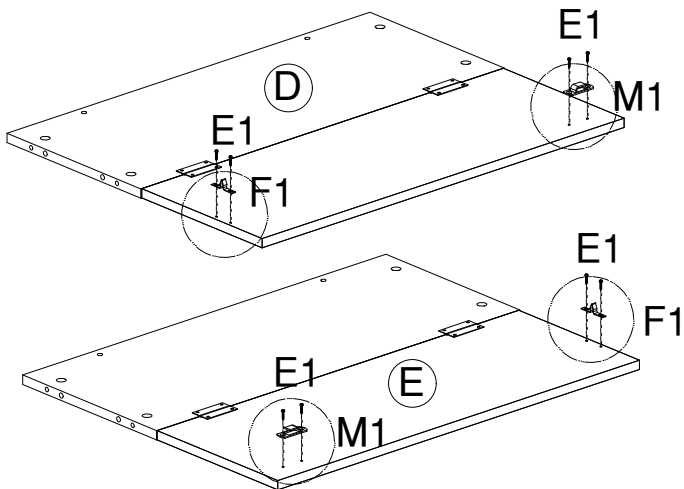
STEP 4




E1	 #7-Ø3.5X14	8 PCS	F1		2 PCS
----	---	-------	----	---	-------

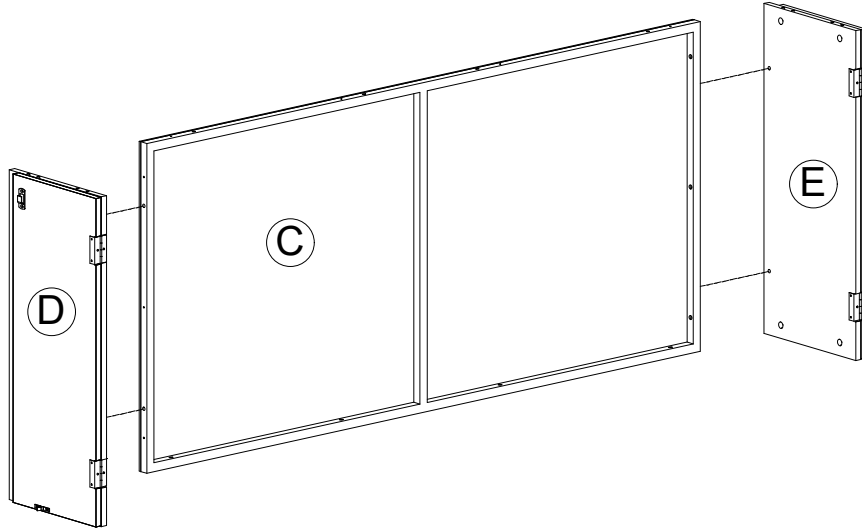
M1		2 PCS	<p>When installing F1 accessories, they must be installed separately. If they cannot be locked after installation, they can be adjusted by themselves.</p>		
----	---	-------	--	--	--



STEP 5



D1	 8 x 30MM	4 PCS			
----	---	-------	--	--	--

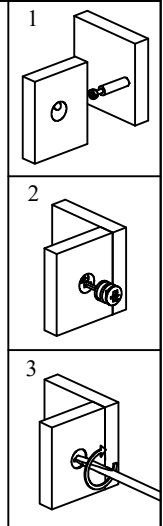
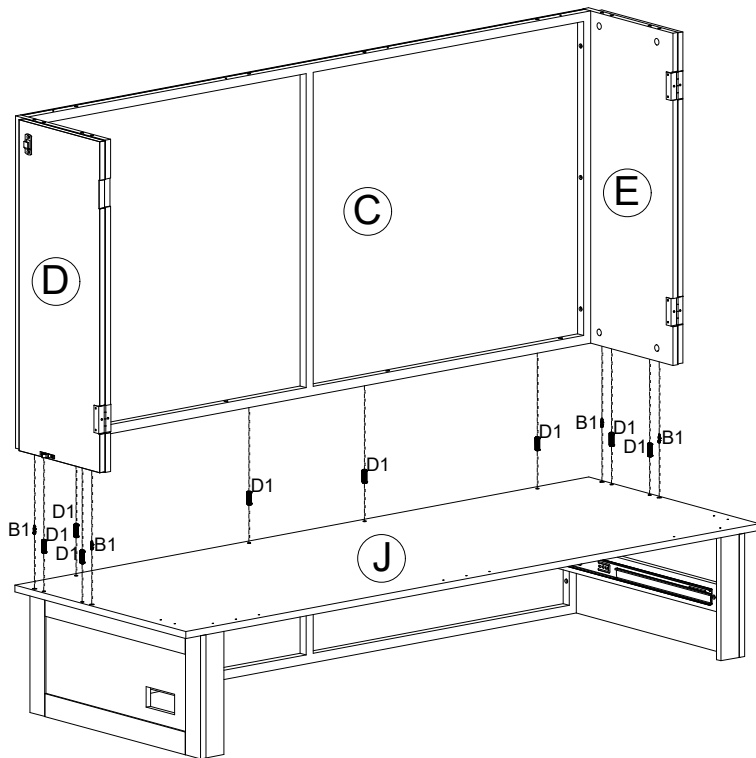
STEP 6



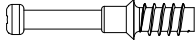


A1	 KD Cam	4 PCS	D1	 8 x 30MM	8 PCS
----	---	-------	----	---	-------

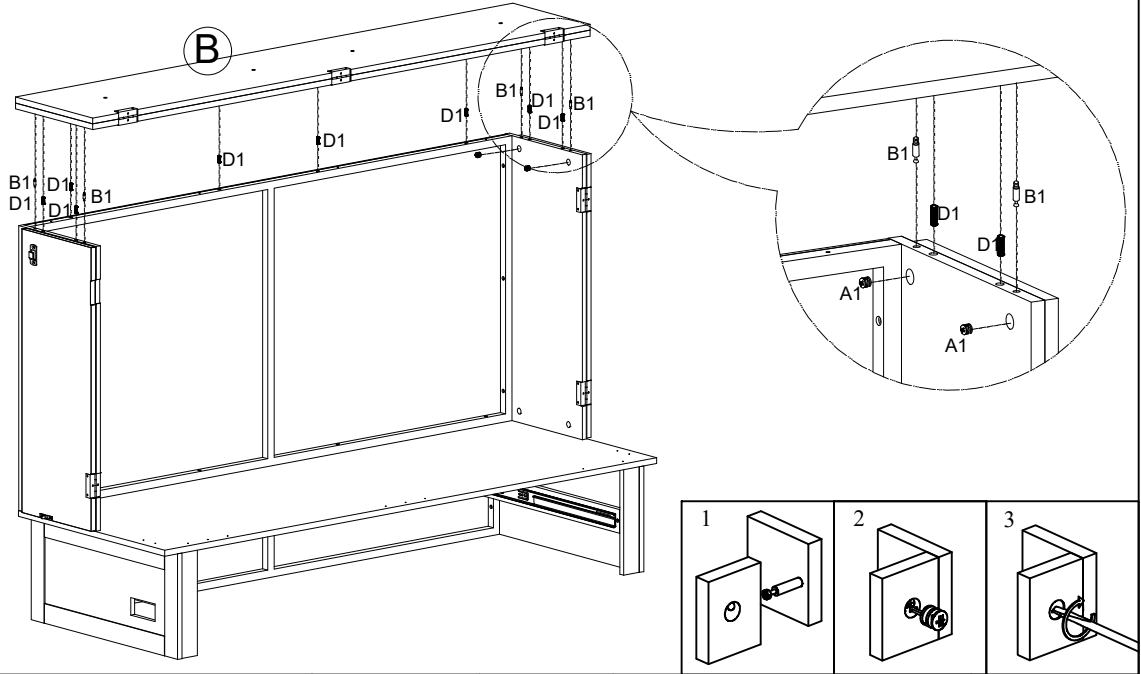
B1	 Screw	4 PCS			
----	--	-------	--	--	--


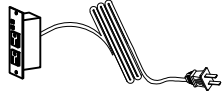
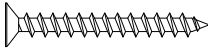
STEP 7



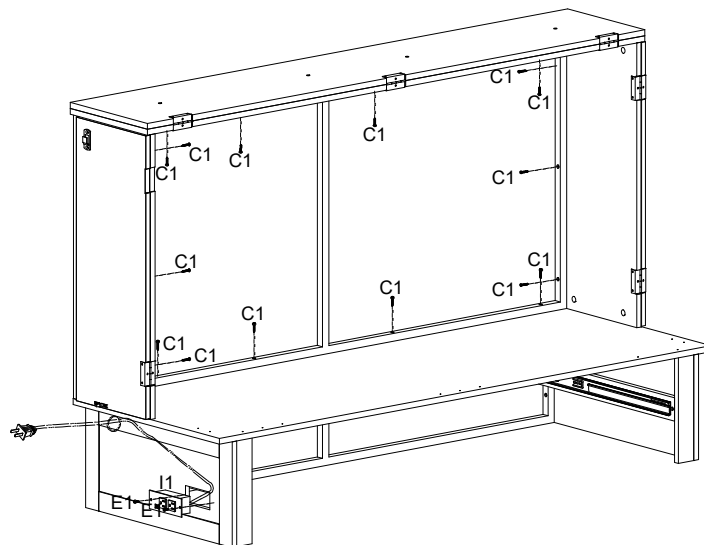
A1	 KD Cam	4 PCS	D1	 8 x 30MM	8 PCS
B1		4 PCS			


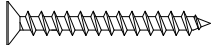
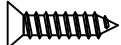
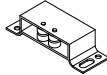
STEP 8



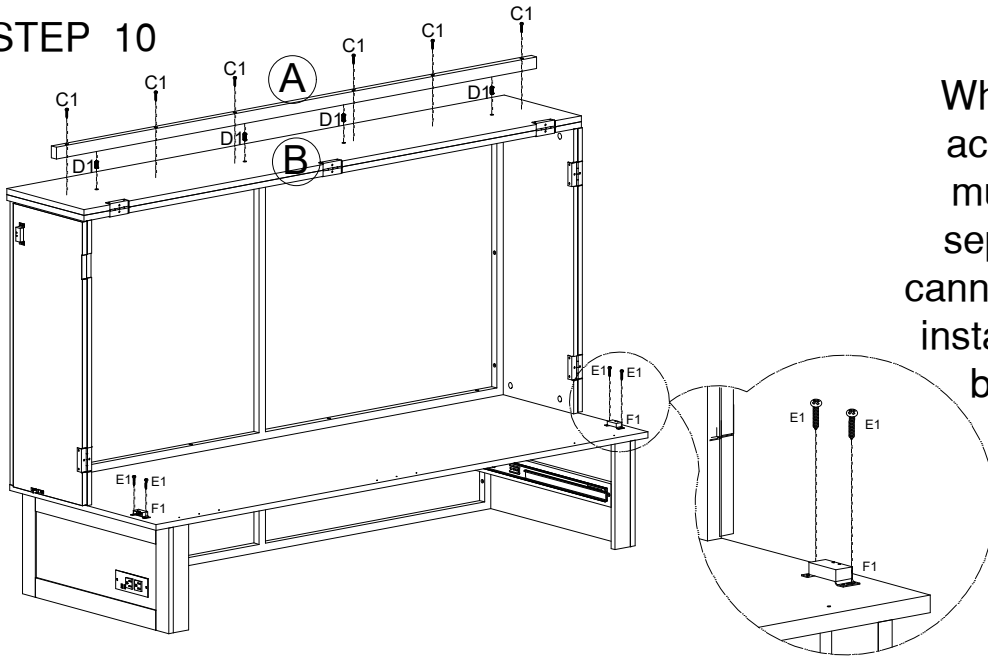
E1	 #7-φ3.5X14	2 PCS	I1		1 PCS
C1	 #8-φ4X30	14 PCS			

STEP 9

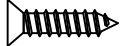
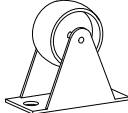


D1	 8 x 30MM	4 PCS	C1	 #8-Ø4X30	6 PCS
E1	 #7-Ø3.5X14	4 PCS	F1		2 PCS

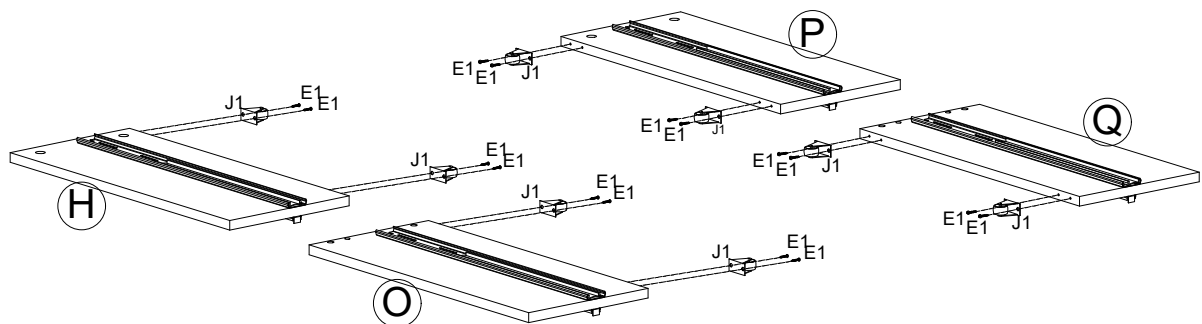
STEP 10



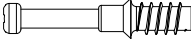


When installing F1 accessories, they must be installed separately. If they cannot be locked after installation, they can be adjusted by themselves.

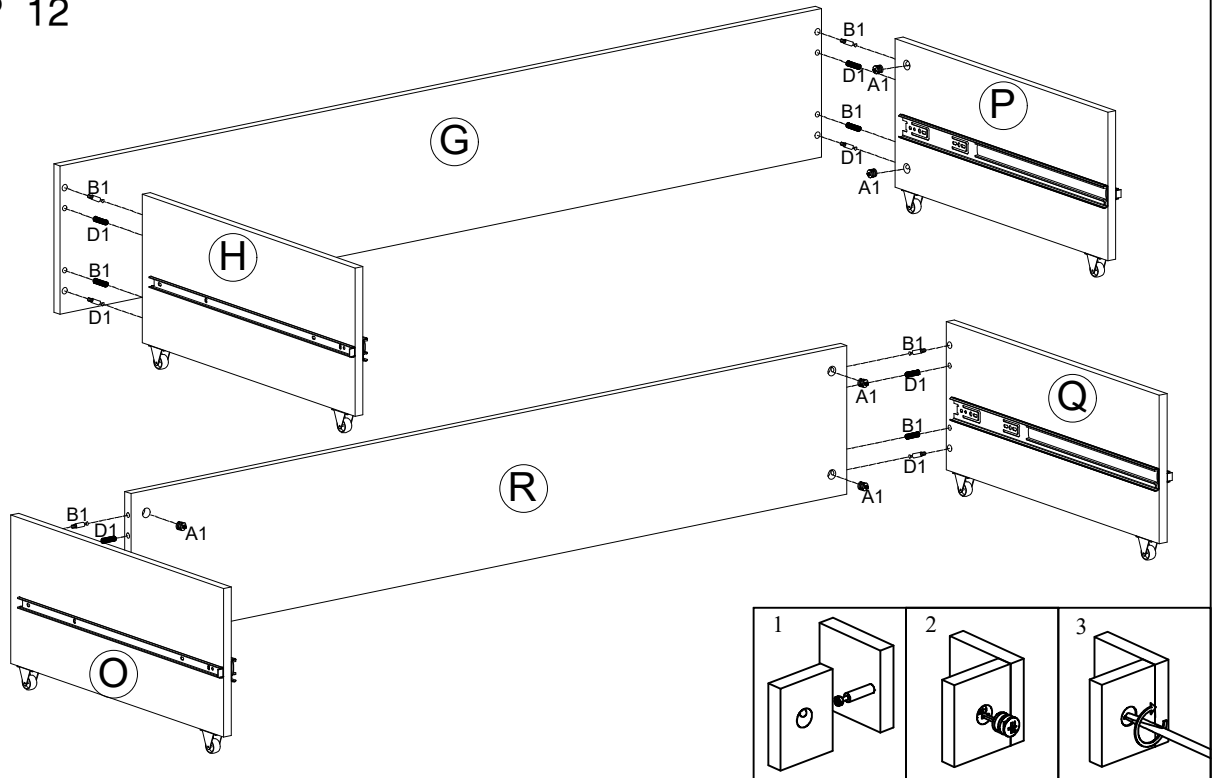
E1	 #7-Ø3.5X14	16 PCS	J1		8 PCS
----	---	--------	----	---	-------

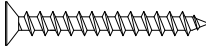
STEP 11



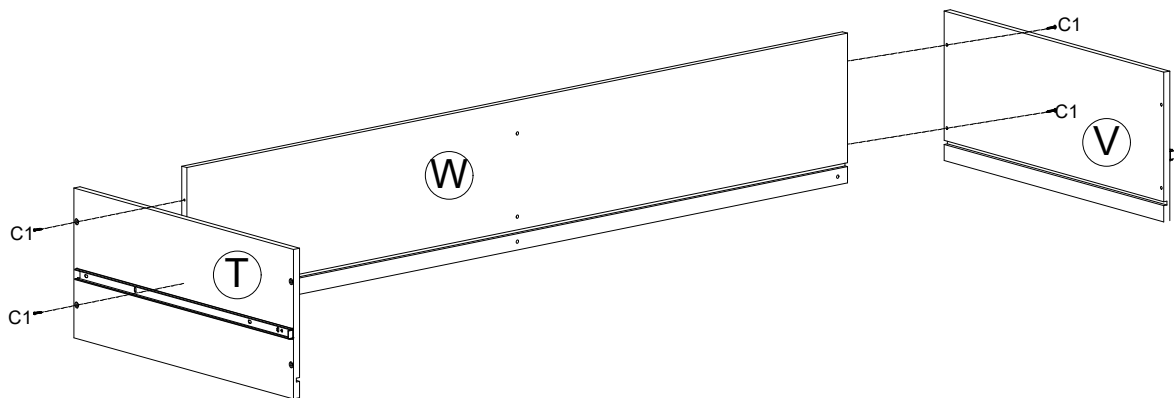
A1	 KD Cam	8 PCS	D1	 8 x 30MM	8 PCS
B1		8 PCS			



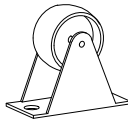
STEP 12



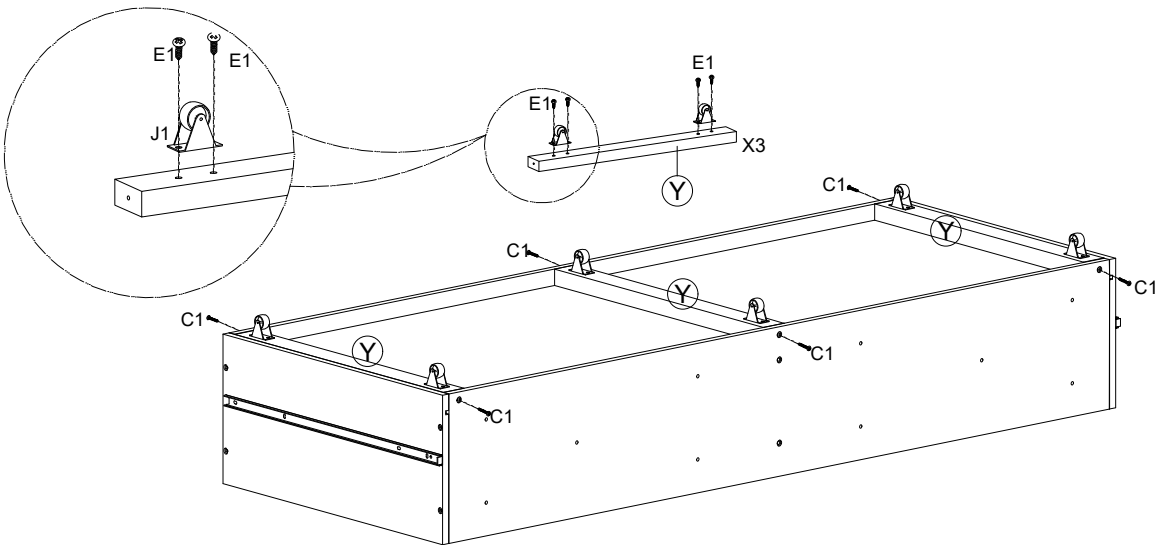
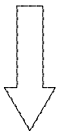
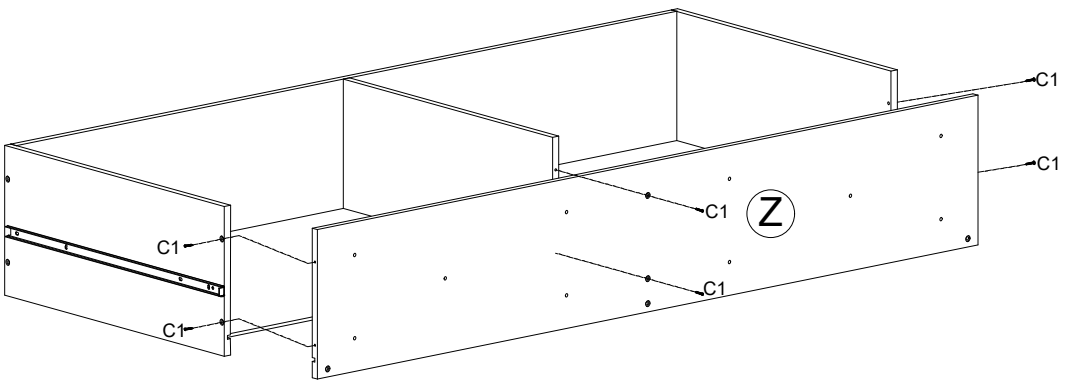
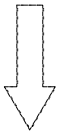
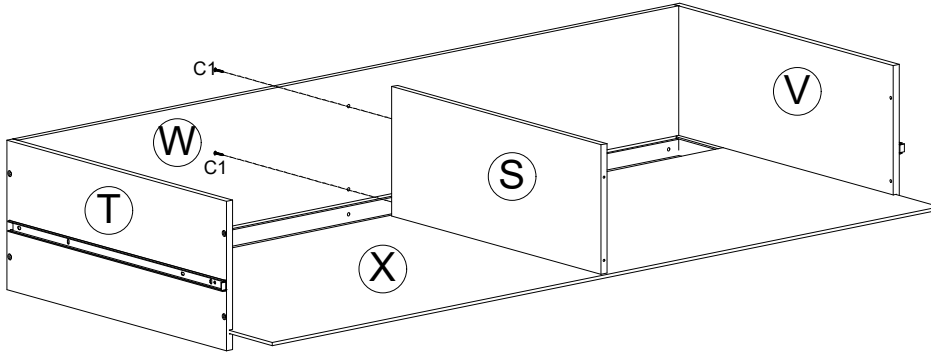
C1	 #8-Ø4X30	4 PCS			
----	---	-------	--	--	--


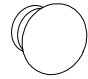

STEP 13



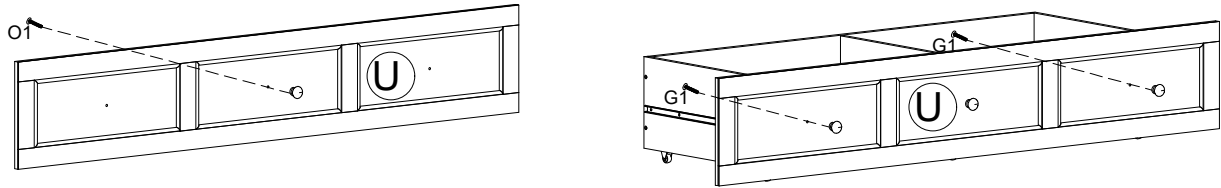
C1		14 PCS	E1	 #7-φ3.5X14	12 PCS
J1		6 PCS			

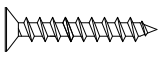
STEP 14



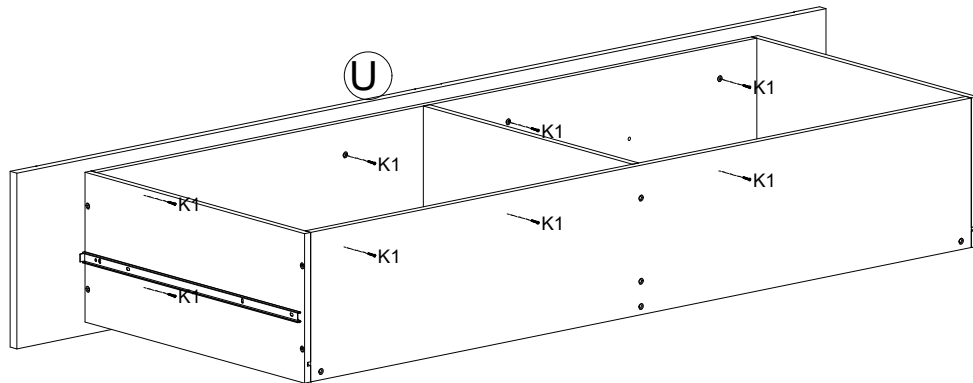
O1	 M4 X 25mm	1 PCS	H1		3 PCS
G1	 M4 X 30mm	2 PCS			


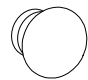
STEP 15



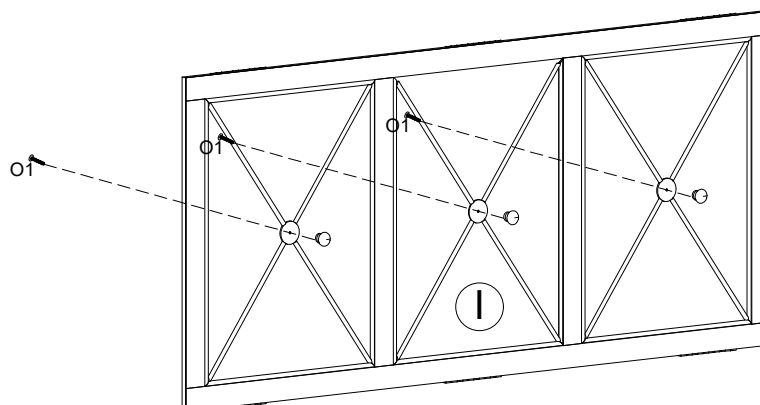
K1	 #8-Ø4X20	8 PCS			
----	---	-------	--	--	--

STEP 16

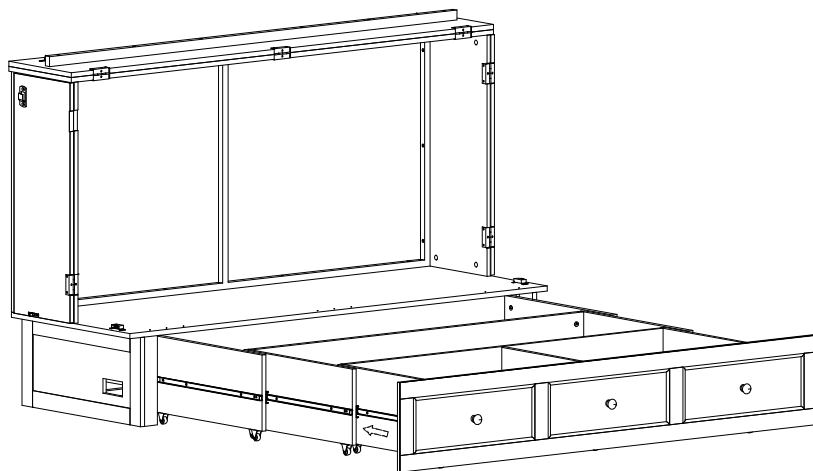
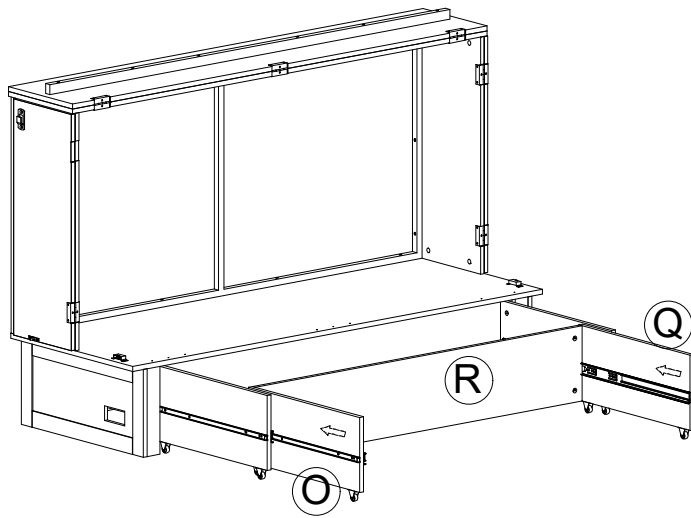
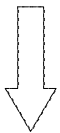
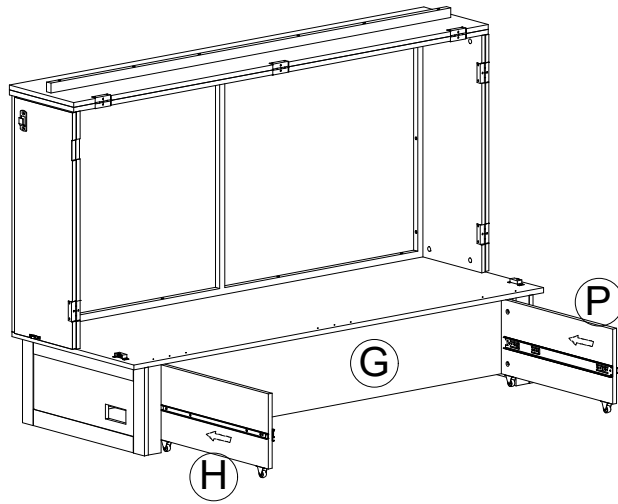
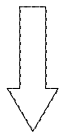



O1	 M4 X 25mm	3 PCS	H1		3 PCS
----	--	-------	----	---	-------

STEP 17

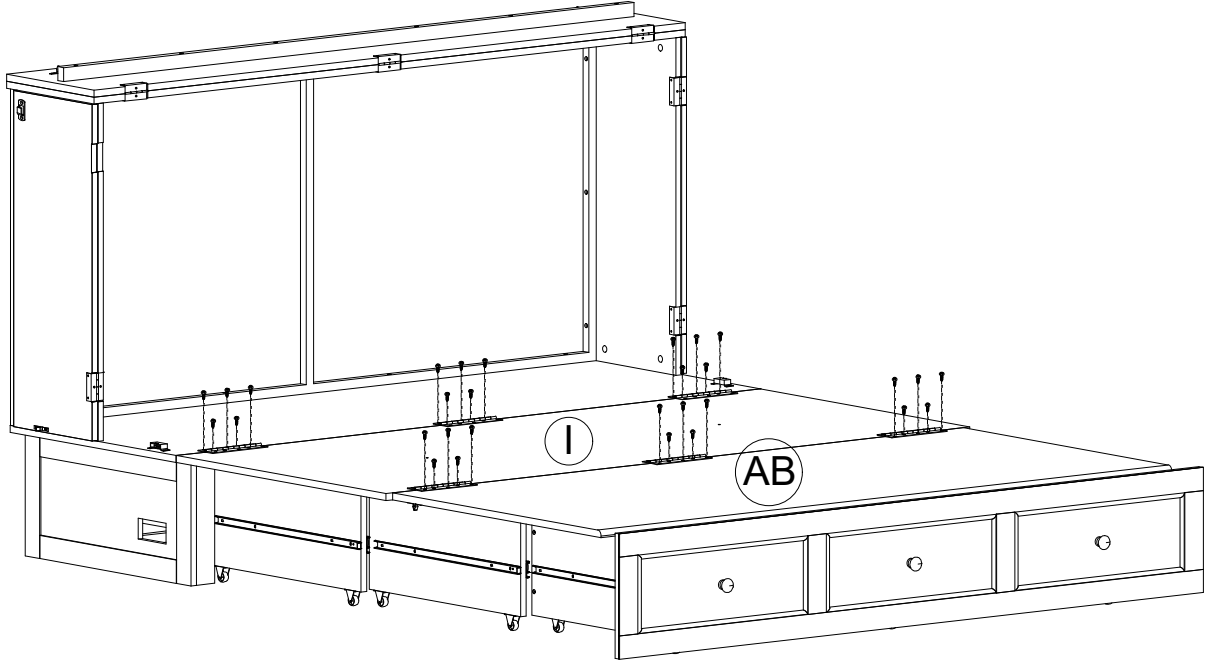


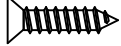
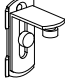
STEP 18



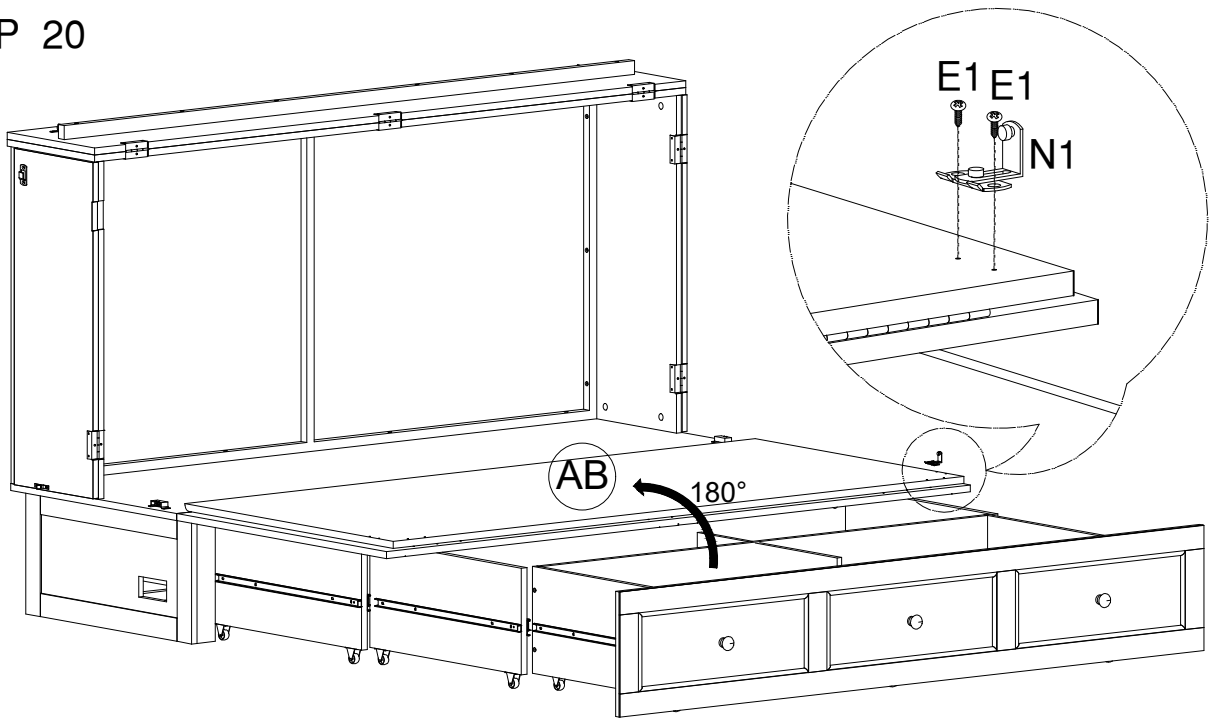
E1	 #7-φ3.5X14	30 PCS			
----	---	--------	--	--	--

STEP 19



E1	 #7-φ3.5X14	4 PCS	N1		2 PCS
----	---	-------	----	---	-------

STEP 20



STEP 21

