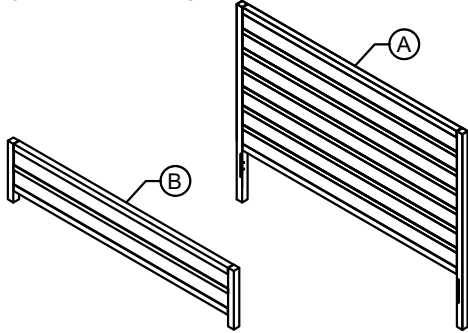


LOW PROFILE E-KING/C-KING BED

ASSEMBLY INSTRUCTIONS

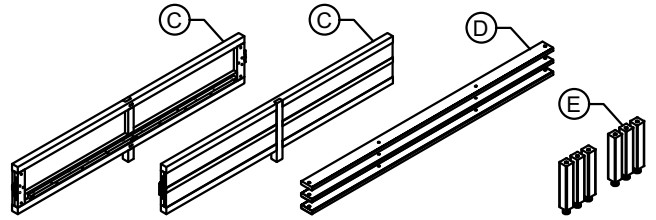
BOX #1

- A. HEADBOARD 1PC
- B. FOOTBOARD 1PC

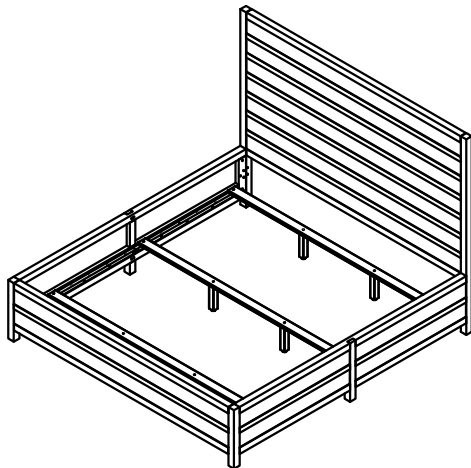


BOX #2



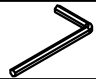
- C. SIDE RAIL 2 PCS
- D. BED SLAT 3 PCS
- E. LEG SUPPORT 6 PCS
- BED HARDWARE BOX*



LOW PROFILE BED ASSEMBLED

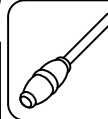


BED HARDWARE PACKED IN BOX #2

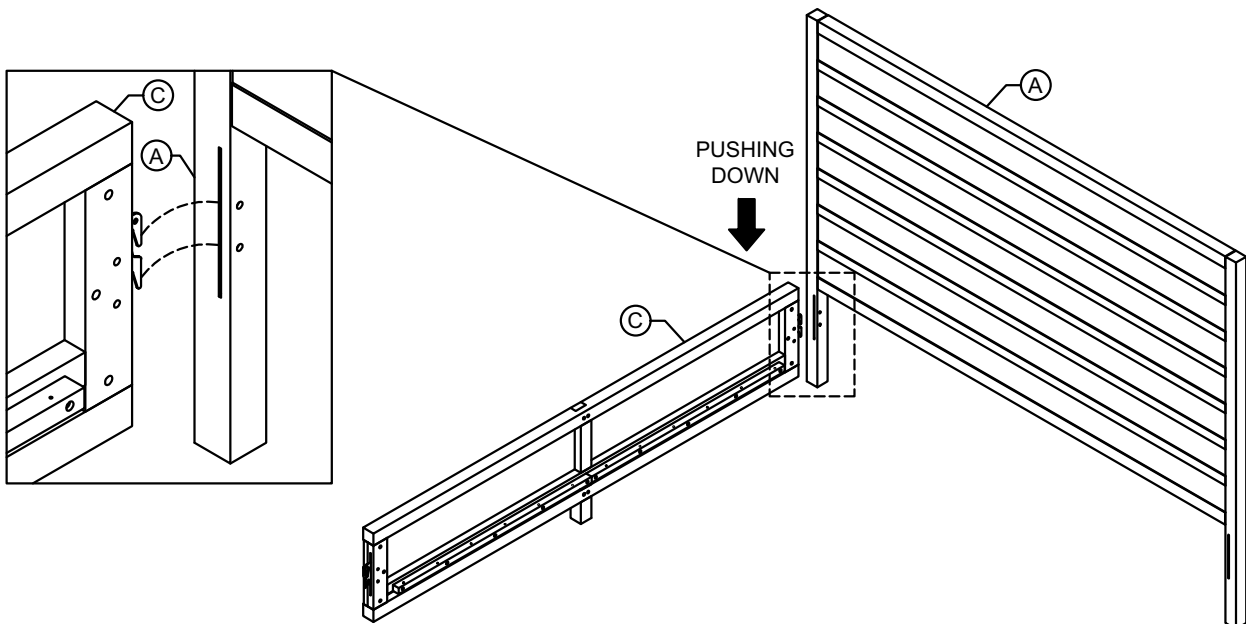
1	ALLEN BOLT (6X40mm)		7 PCS
2	WOOD SCREW (8X30mm)		7 PCS
3	ALLEN KEY		1 PC

TOOL REQUIRED : PHILLIPS HEAD SCREWDRIVER (NOT PROVIDED)

**YOUR BOX
MAY CONTAIN
EXTRA HARDWARE**

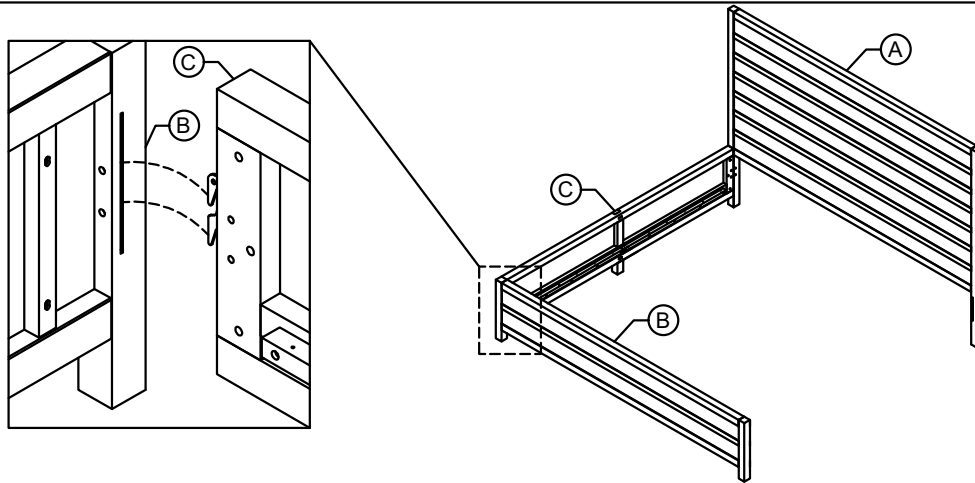


STEP 1 :

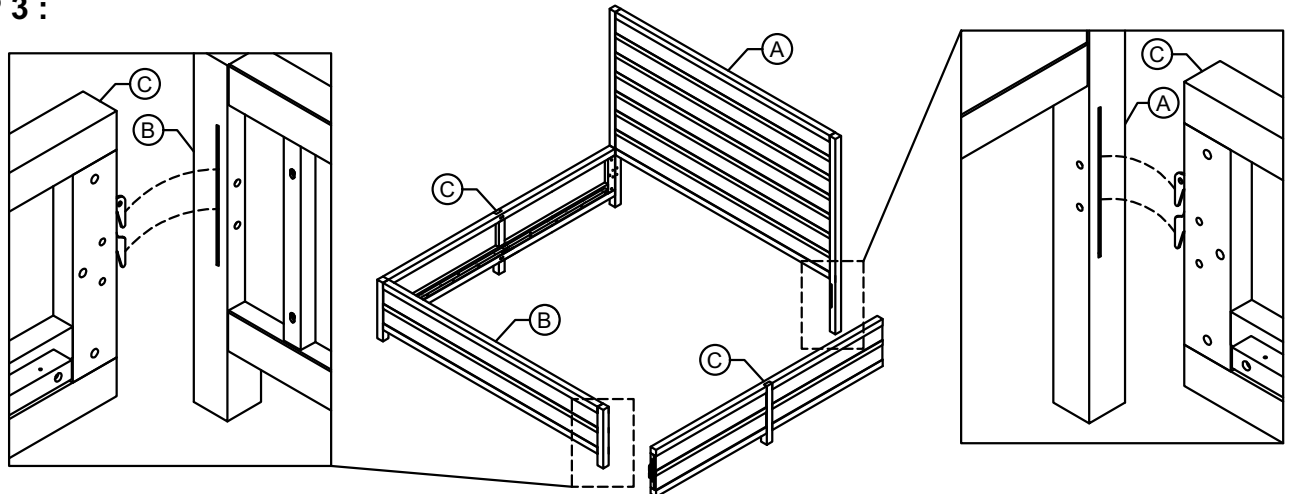


LOW PROFILE E-KING/C-KING BED ASSEMBLY INSTRUCTIONS

STEP 2 :



STEP 3 :

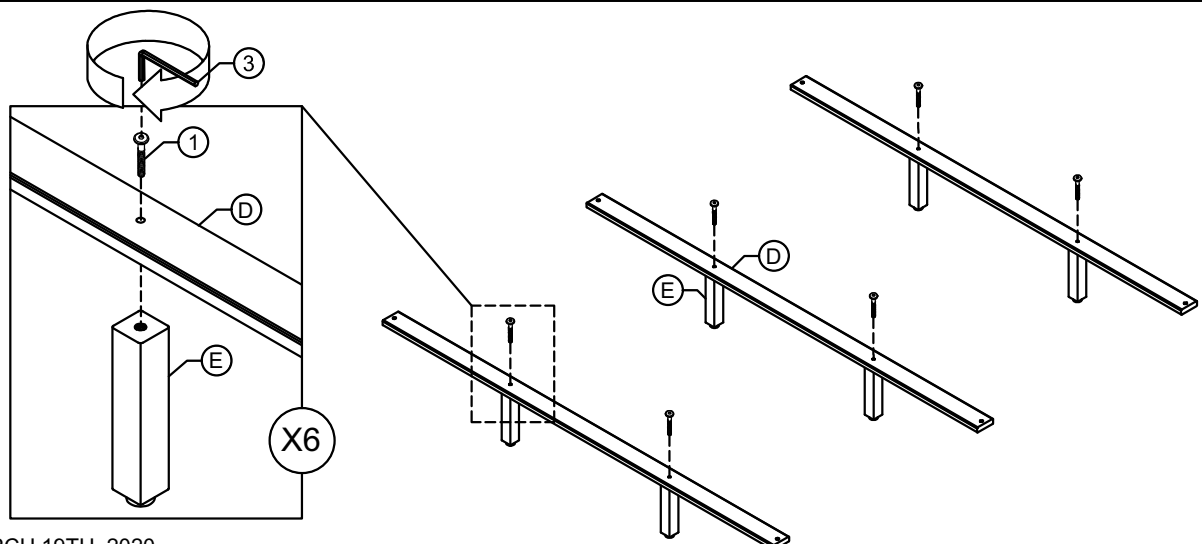


STOP :



IF USING BED FRAME WITH ADJUSTABLE MATTRESS BASE, SKIP TO APPENDIX A: ADJUSTABLE MATTRESS BASE ASSEMBLY SUPPLEMENT.
IF USING BED FRAME WITH STANDARD BOX SPRING OR FOUNDATION CONTINUE TO STEP 4.

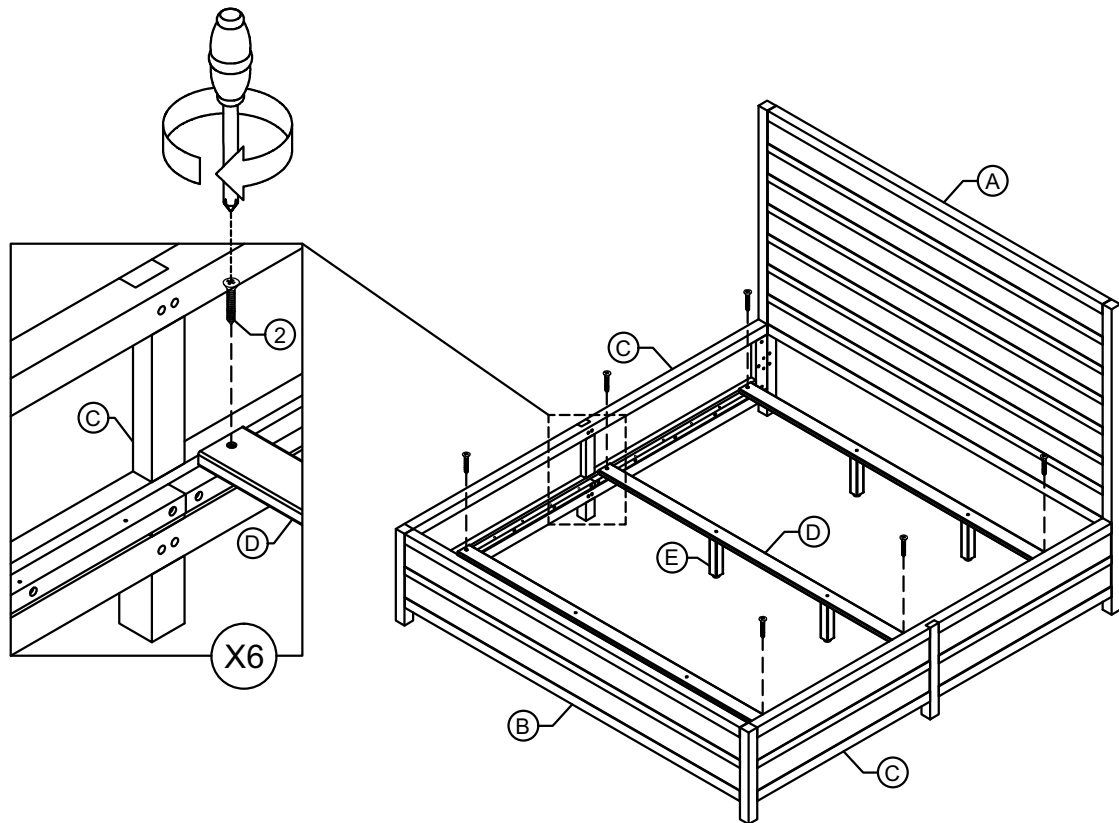
STEP 4 :



LOW PROFILE E-KING/C-KING BED

ASSEMBLY INSTRUCTIONS

STEP 5 :

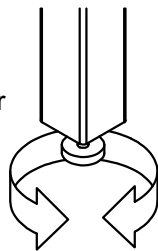


INSTRUCTIONS FOR ADJUSTING LEVELER :

Position the bed in your space and locate the leveler under each leg support (E).

Turn the leveler counter-clockwise to extend the leveler and clockwise to retract it.

Adjust each leveler until each slat support is applying equal, upward pressure on the bed slat support .



MAINTENANCE INSTRUCTION :

- Remove box spring and mattress before moving your bed.
- Lift your bed when moving it. Dragging can damage the leg support.
- Readjust levelers after moving your bed.

LOW PROFILE E-KING/C-KING BED

APPENDIX A: ADJUSTABLE MATTRESS BASE ASSEMBLY SUPPLEMENT

AN ADJUSTABLE MATTRESS BASE IS A FREESTANDING MATTRESS SUPPORT THAT SITS WITHIN THE PERIMETER OF THE BED FRAME.

IF USING THIS BED FRAME WITH A STANDARD BOX SPRING OR FOUNDATION THESE INSTRUCTIONS DO NOT APPLY.

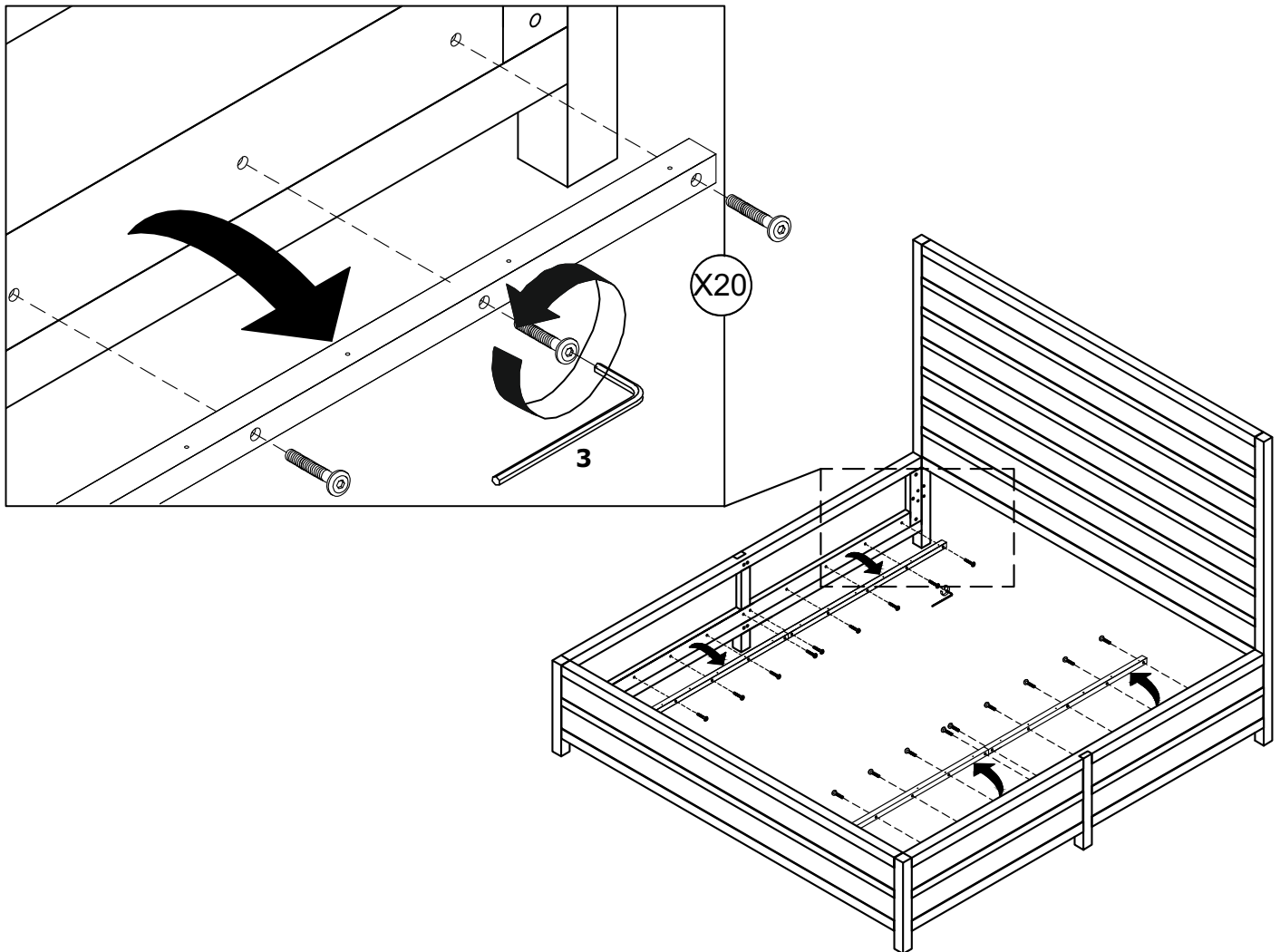
PRE-ASSEMBLED SIDE RAIL CLEATS OBSTRUCT ADJUSTABLE BASE INSTALLATION AND OPERATION. FOLLOW THESE INSTRUCTIONS TO REMOVE THEM.

THE FOLLOWING PARTS ARE NOT REQUIRED FOR ADJUSTABLE MATTRESS BASE INSTALLATION:

D. BED SLAT	3 PCS	1. ALLEN BOLT (6X40mm)	7 PCS
E. LEG SUPPORT	6 PCS	2. WOOD SCREW (8X30mm)	7 PCS

STEP 1:

USE ALLEN KEY (3) TO UNSCREW ALLEN BOLTS AND REMOVE PRE-ASSEMBLED SIDE RAIL CLEATS.



NOTE: YOU MAY WISH TO RETAIN UNUSED PARTS IF IN THE FUTURE YOU INTEND TO USE THE BED FRAME WITH A STANDARD BOX SPRING OR FOUNDATION.