


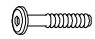


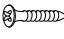




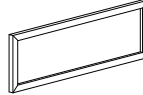








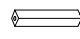
# ASSEMBLY INSTRUCTION

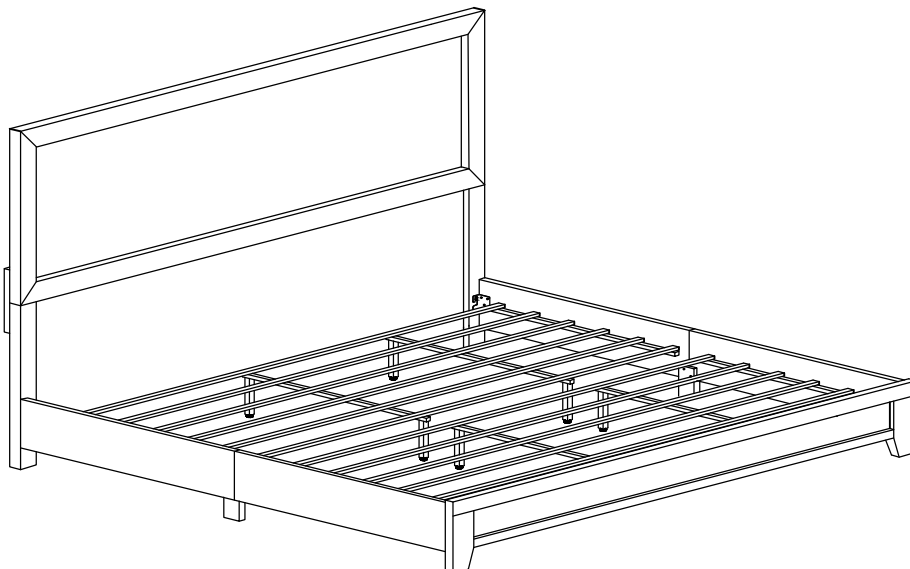
Thank you for purchasing this quality product. Be sure to check all packing material carefully for small parts which may have come loose inside the carton during shipment. Separate, identify and count all parts and hardware. Compare with the parts list to be sure all parts are present.

**"DO NOT TIGHTEN SCREWS UNTIL COMPLETELY ASSEMBLED"**

**IMPORTANT:  
PLEASE READ INSTRUCTION BEFORE STARTING THE ASSEMBLY**

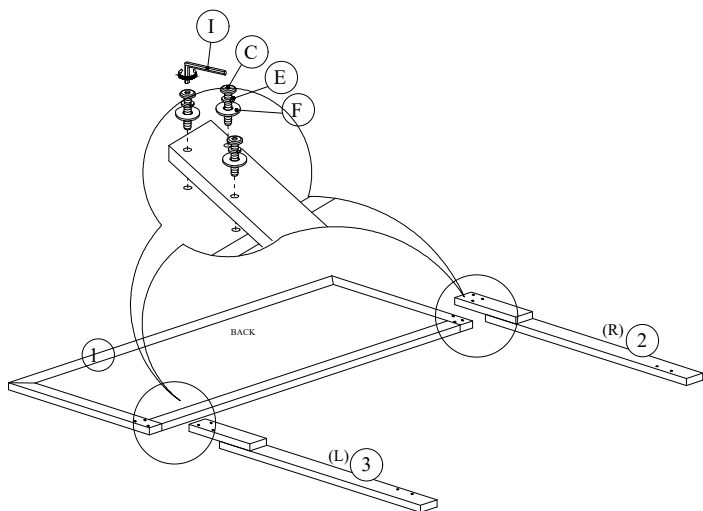
HARDWARE LIST				
ITEM	DESCRIPTION	DRAWING	SIZE	QTY
A	JCBB SCREW		M8 X 20MM	8PCS
B	JCBC SCREW		M8 X 25MM	8PCS
C	JCBC SCREW		M8 X 35MM	6PCS
D	JCBC SCREW		M6 X 50MM	8PCS
B	SPRING WASHER		M8 X 14MM	14PCS
F	FLAT WASHER		M8 X 22MM	14PCS
G	SCREW		M4 X 32MM	8PCS
H	L - KEY		M4 X 65MM	1PC
I	L - KEY		M5 X 65MM	1PC

PART LIST			
ITEM	DESCRIPTION	DRAWING	QTY
1	HEADBOARD		1PC
2	HEADBOARD LEG (R)		1PC
3	HEADBOARD LEG (L)		1PC
4	FOOTBOARD		1PC
5	SIDE RAIL		2PCS
6	SIDE RAIL		2PCS
7	SIDE RAIL SUPPORT LEG		2PCS
8	ROLL SLAT		2SET
9	CENTER SUPPORT RAIL		4PCS
10	CENTER SUPPORT LEG		8PCS

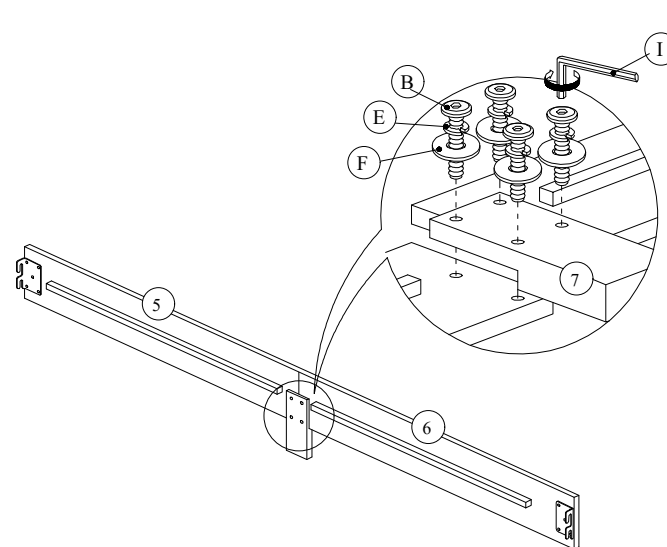


# ASSEMBLY INSTRUCTION

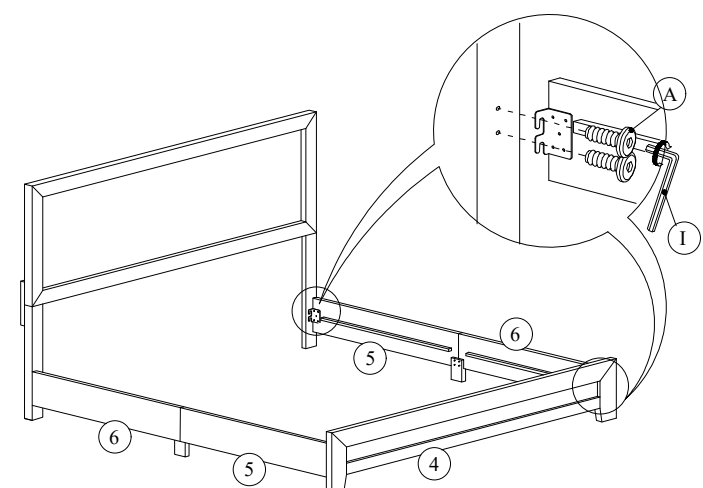
STEP 1



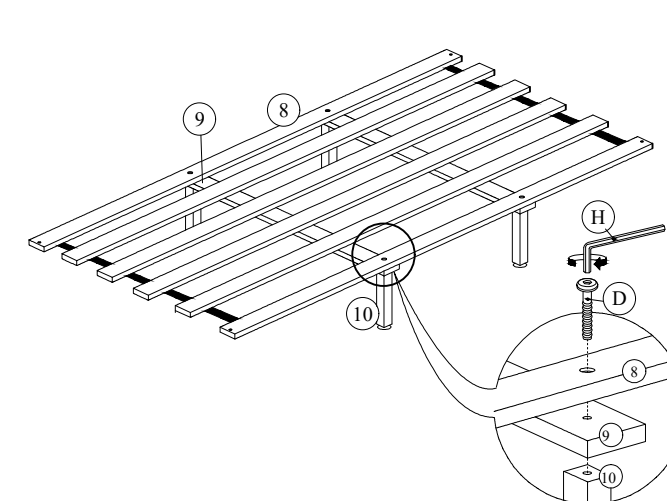
STEP 2



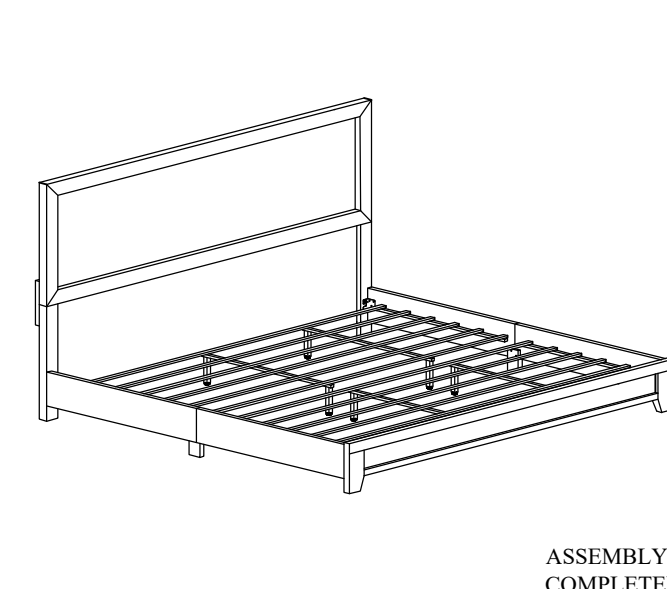
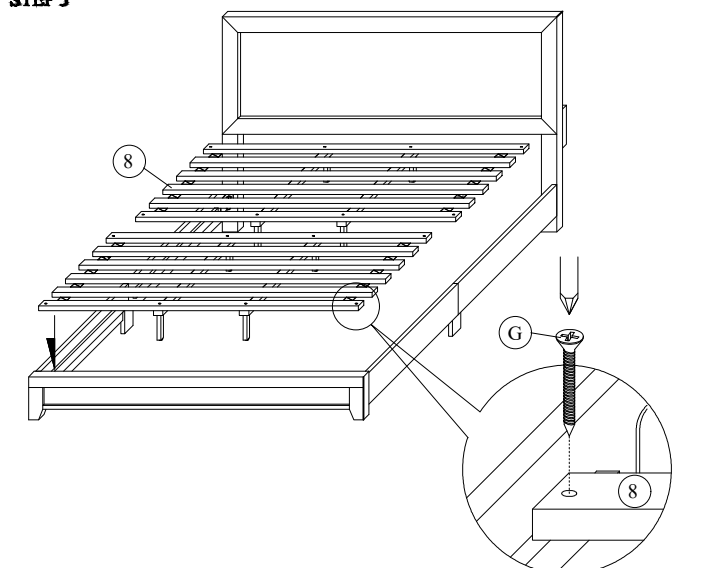
STEP 3



STEP 4



STEP 5



ASSEMBLY  
COMPLETED