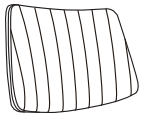
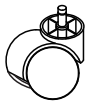

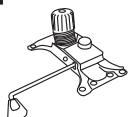

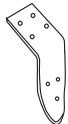
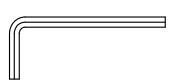
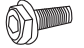

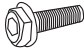




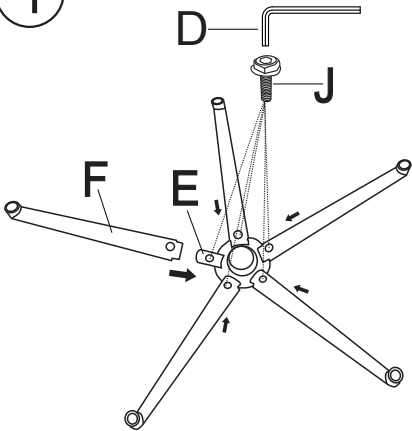
Please check that all fittings are available and in good condition before assembly.
 If you have any questions, please contact us , we will solve your problem in the first time.

PARTS LIST

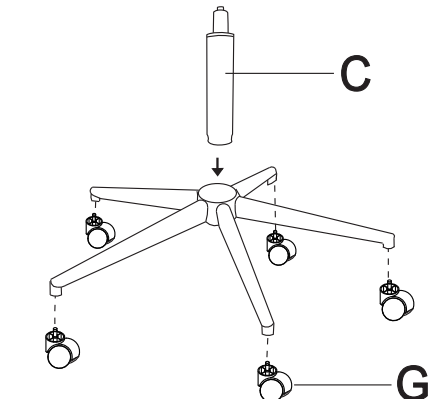
A*1 	G*5 
B*1 	H*1 
C*1 	I*1 
D*1 	J*9  M6*16
E*1 	K*4  M6*22
F*5 	L*3  M6*22

ASSEMBLE INSTRUCTION

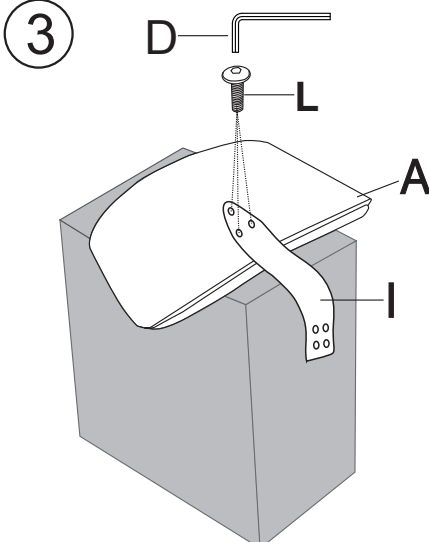
1



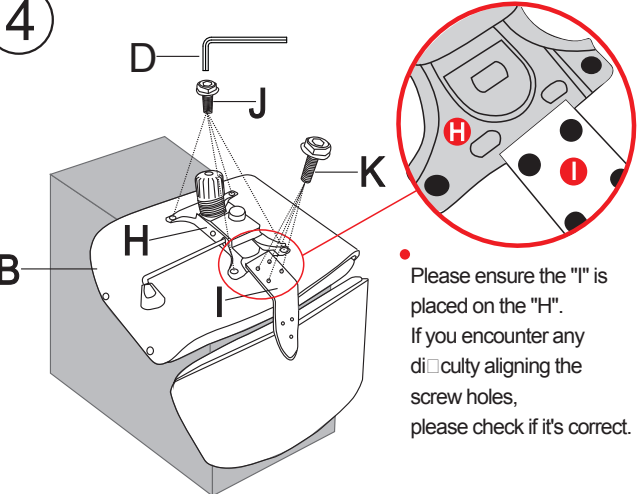
2



3



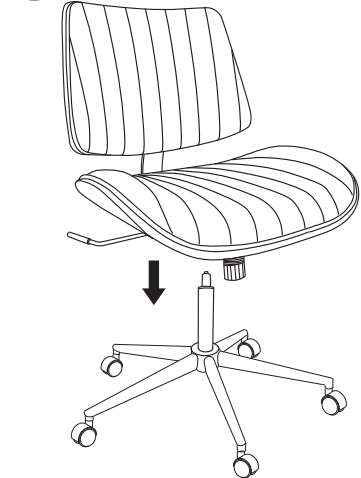
4



Please ensure the "I" is placed on the "H".
 If you encounter any difficulty aligning the screw holes, please check if it's correct.

Assemble Part H first, then Part I.

5



6

