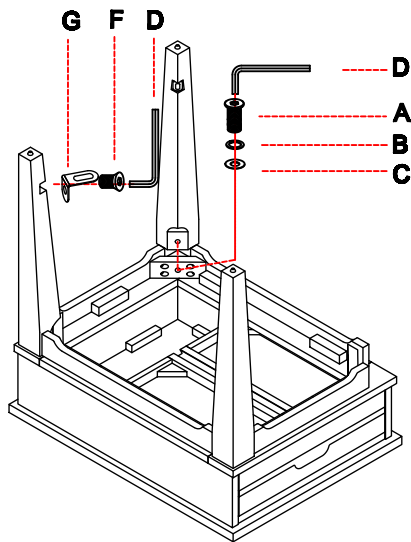
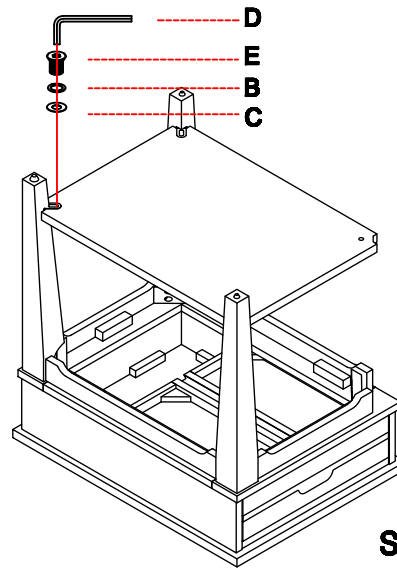


ASSEMBLY INSTRUCTION

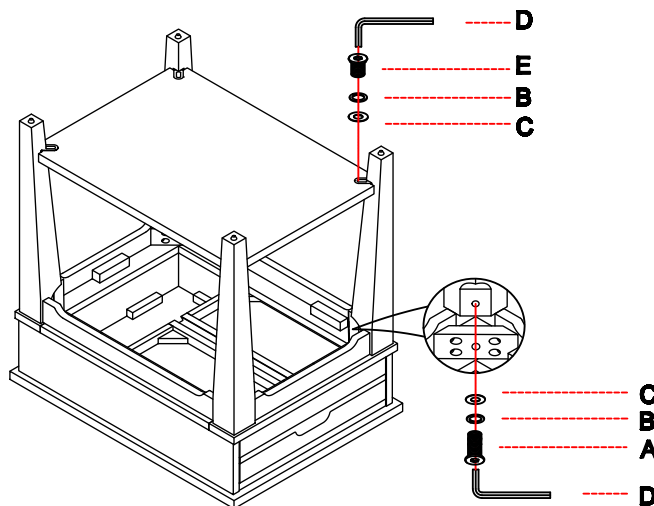
END TABLE



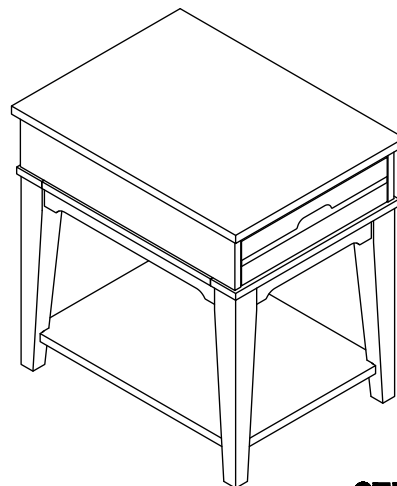
STEP 1



STEP 2



STEP 3



STEP 4

| Item | Sketch | Description | Qty |
|------|--------|-----------------------|-------|
| A | | Bolt 1/4"x2-1/4" | 4 PCS |
| B | | Lock Washer 1/4" | 8 PCS |
| C | | Flat Washer 1/4"x16mm | 8 PCS |
| D | | Allen Wrench 1/4" | 1 PC |
| E | | Bolt 1/4"x5/8" | 4 PCS |
| F | | Bolt 1/4"x5/8" | 4 PCS |
| G | | Shelf bracket | 4 PCS |

**DO NOT TIGHTEN SCREWS
UNTIL COMPLETELY ASSEMBLED**