

INSTALLATION

Product Manual



IMPORTANT INFORMATION!

please read the entire manual before starting to assemble and/or using this product. follow the manual thoroughly and keep it for further reference.



AVOID SCRATCHES!

In order to avoid scratching this furniture should be assembled on a soft layer- could be a rug.



IMPROVE EFFICIENCY !

Try to find a partner to install with you, which can speed up the installation efficiency and shorten the time.



ANTI-TOPPLE WARNING !

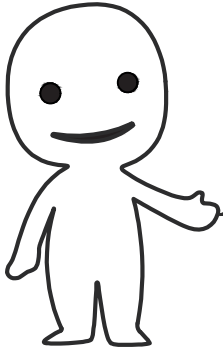
Overturnd furniture can cause serious or fatal crush injuries. To prevent tipping over, be sure to use the wall attachment, if not included with this product. Please purchase the wall attachment that fit your wall. If unsure, seek professional advice. Please read and follow each step of the instructions carefully.

IMPORTANT !

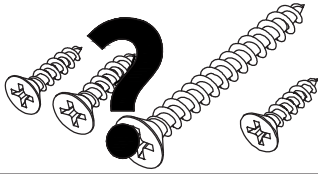
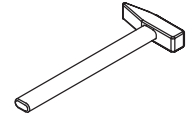
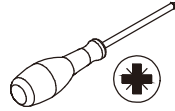
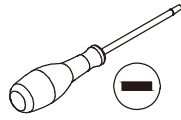
It is important that any product which is assembled using any kind of screw is re-tightened 2 weeks after assembly, and once every 3 months - in order to assure stability through-out the lifespan of the product.

For regular maintenance and cleaning of the product, for the frame, please use a rag dipped in neutral detergent to fully wipe it, and then dry it with a clean rag. For glass materials, wipe with a rag dampened with water glass cleaner, and then dry with a dry rag.

Do not use an electric screwdriver, and do not use too much force when installing, because the board is easy to break.

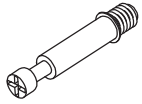


Please prepare the following tools



When installing, please carefully confirm whether each screw corresponds to the manual, accessories with similar shapes can be distinguished by size

Ax37



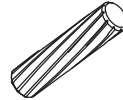
Ø6x35mm

Bx37



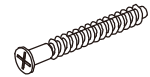
Ø15x10mm

Cx46



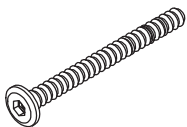
Ø6x30mm

Dx13



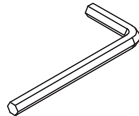
Ø5x40mm

Ex12



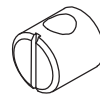
Ø6x60mm

Fx1



M4mm

Gx12



Ø9x10mm

Hx21



Ø18mm

Ix16



Ø3.5x12mm

Jx2



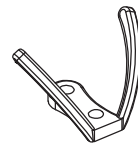
Ø3.5x35mm

Kx4



Ø12mm

Lx4

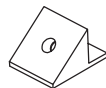


Mx8



Ø3x16mm

Nx28

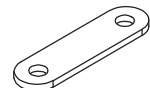


Ox28

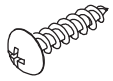


Ø3x14mm

Px3

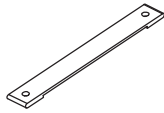


Qx8

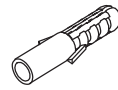


Ø4x14mm

Rx2



Tx2



Ø8x38mm

Ux2

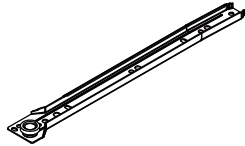


Vx4



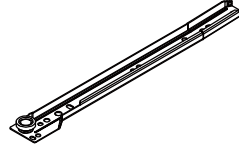
Ø4x18mm

CLx2



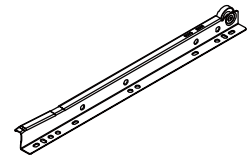
300mm

CRx2



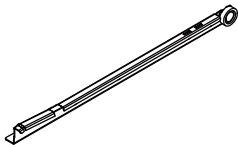
300mm

DLx2

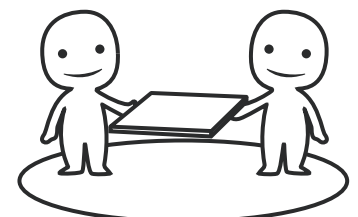


300mm

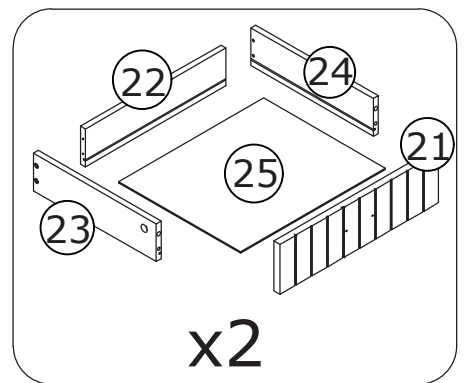
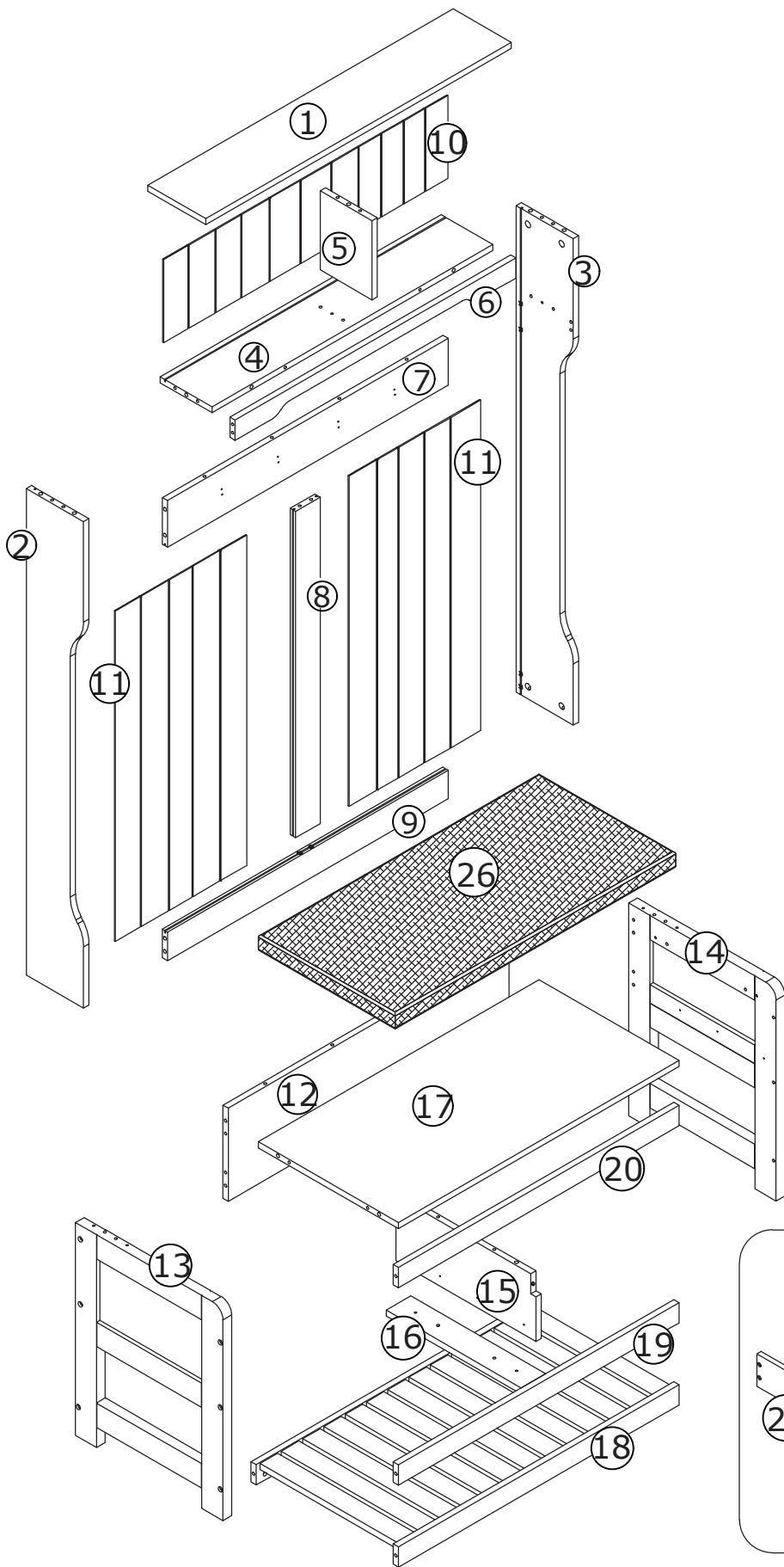
DRx2



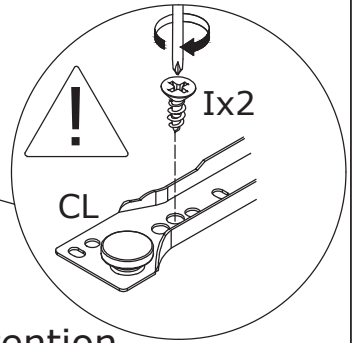
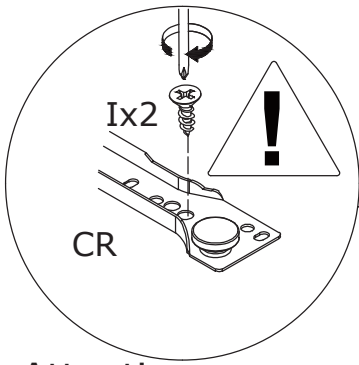
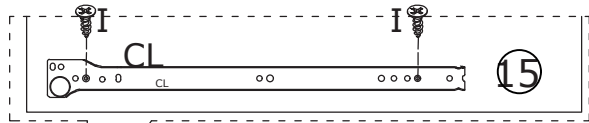
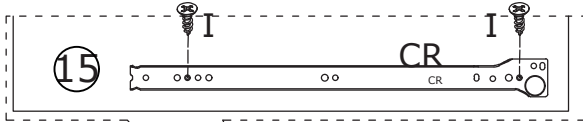
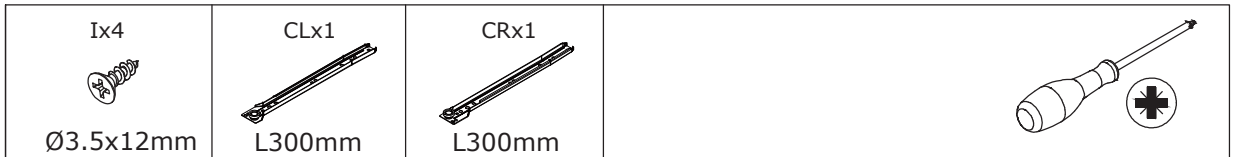
300mm



ASSEMBLED BY 2 ADULTS

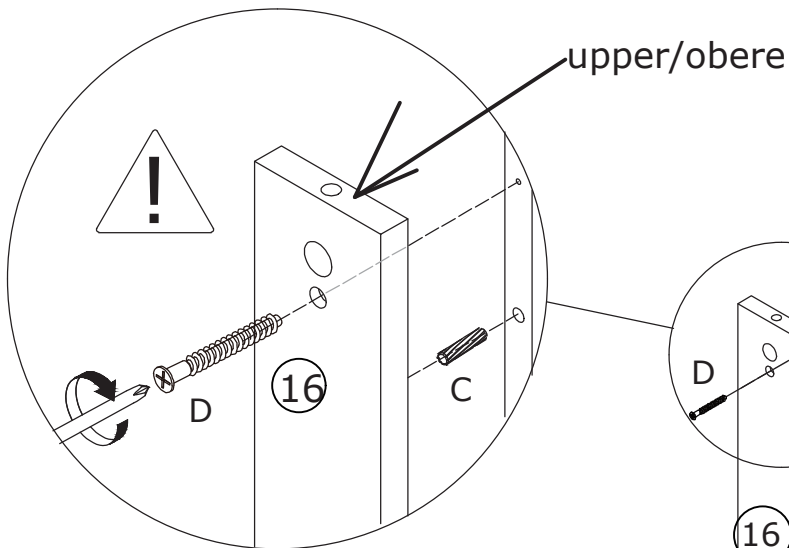
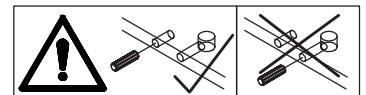


1

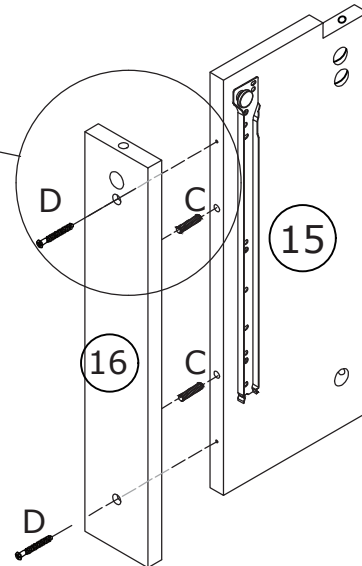


Fix slide rail(CL) and (CR) to right and left side of board 15 with screw(I) as shown.

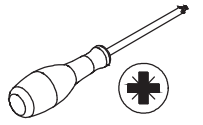
2



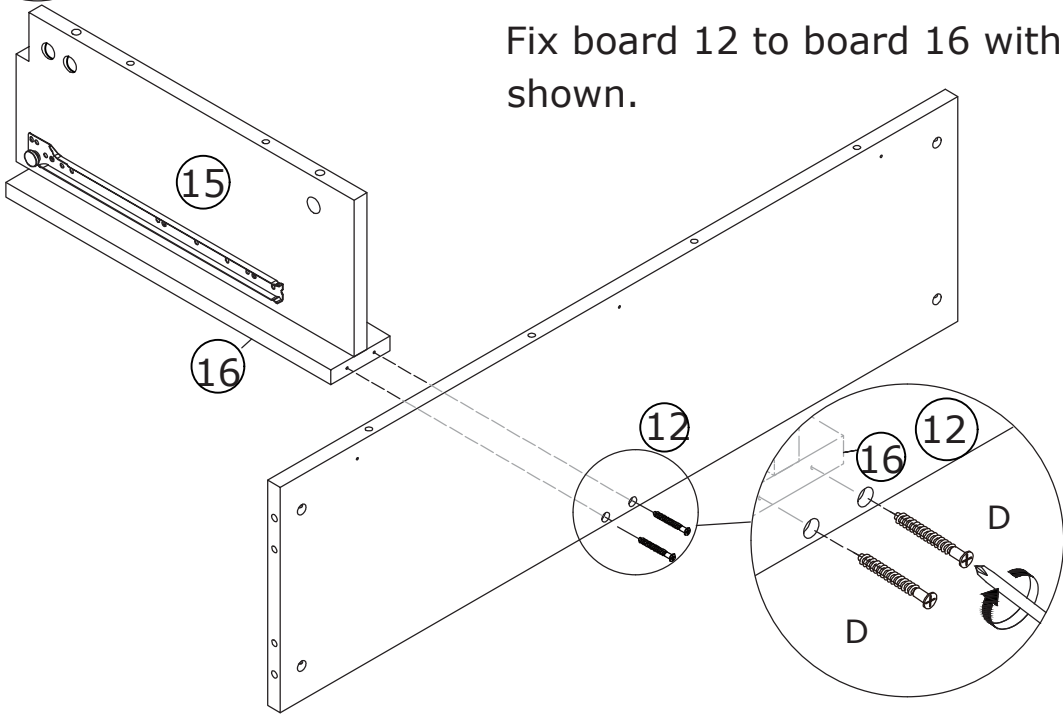
Attach board 16 to 15 with wooden dowel(C) and fix with screw(D) as shown.



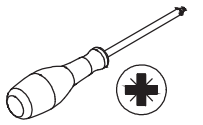
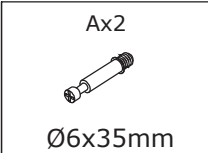
3



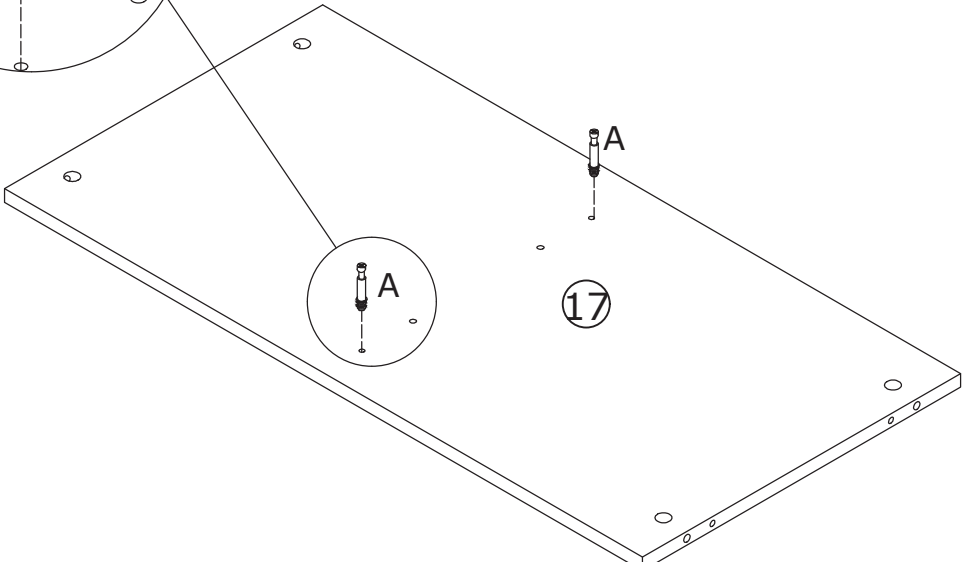
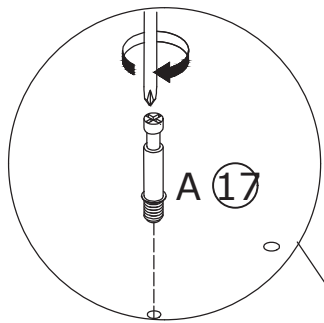
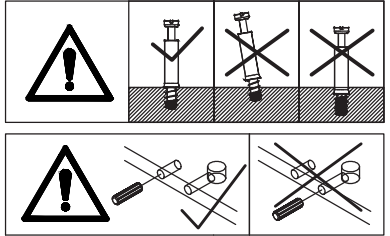
Fix board 12 to board 16 with screw(D) as shown.



4



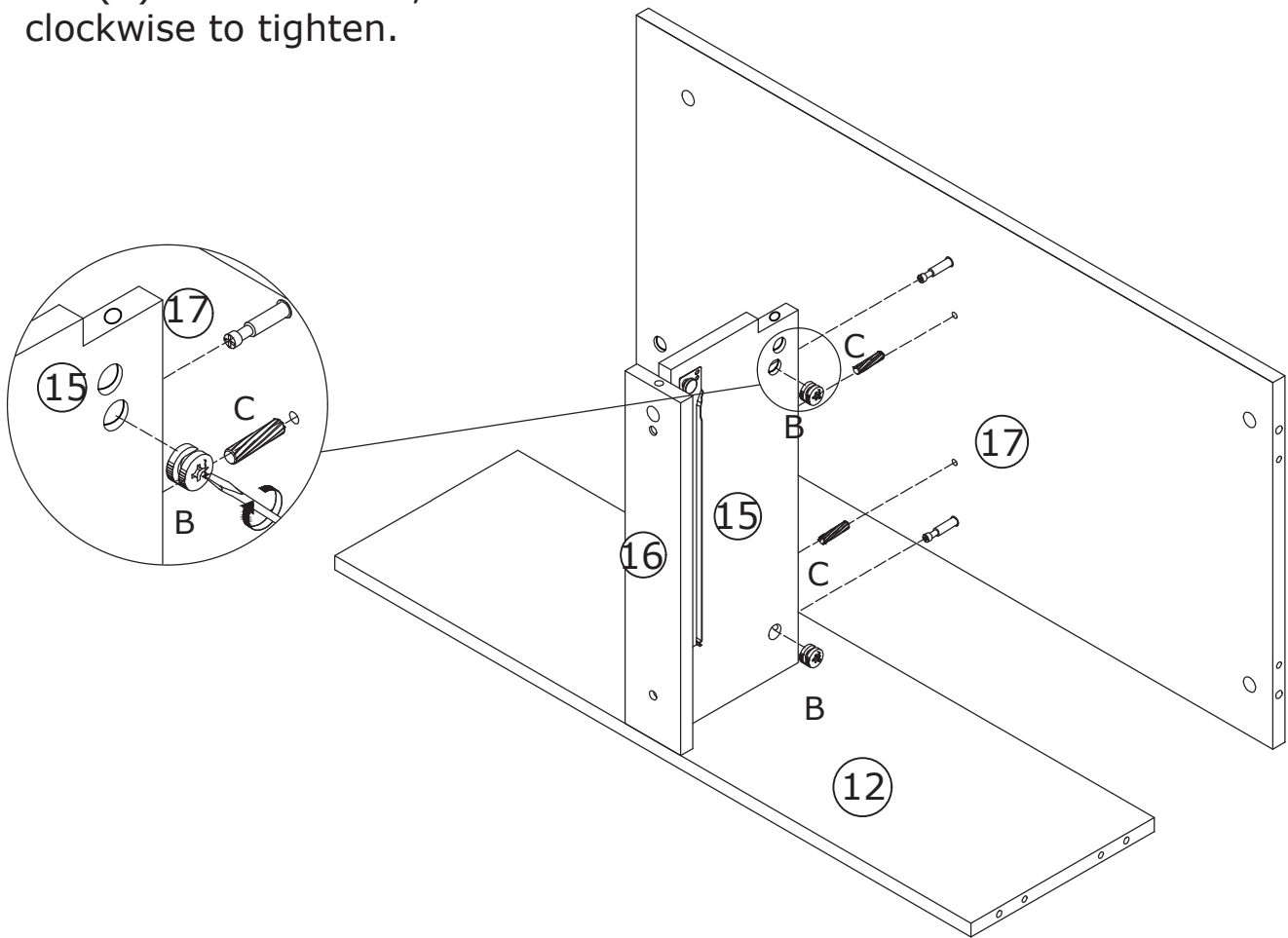
Insert quickfit screw(A) into board 17 with screwdriver.



5



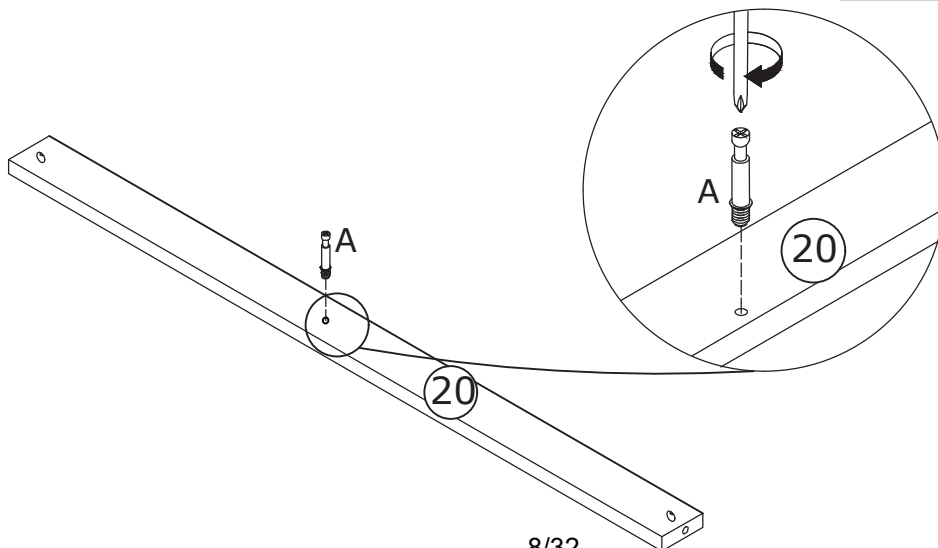
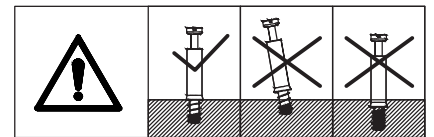
Attach board 17 to 15, add cam lock(B) into board 15, and turn clockwise to tighten.



6



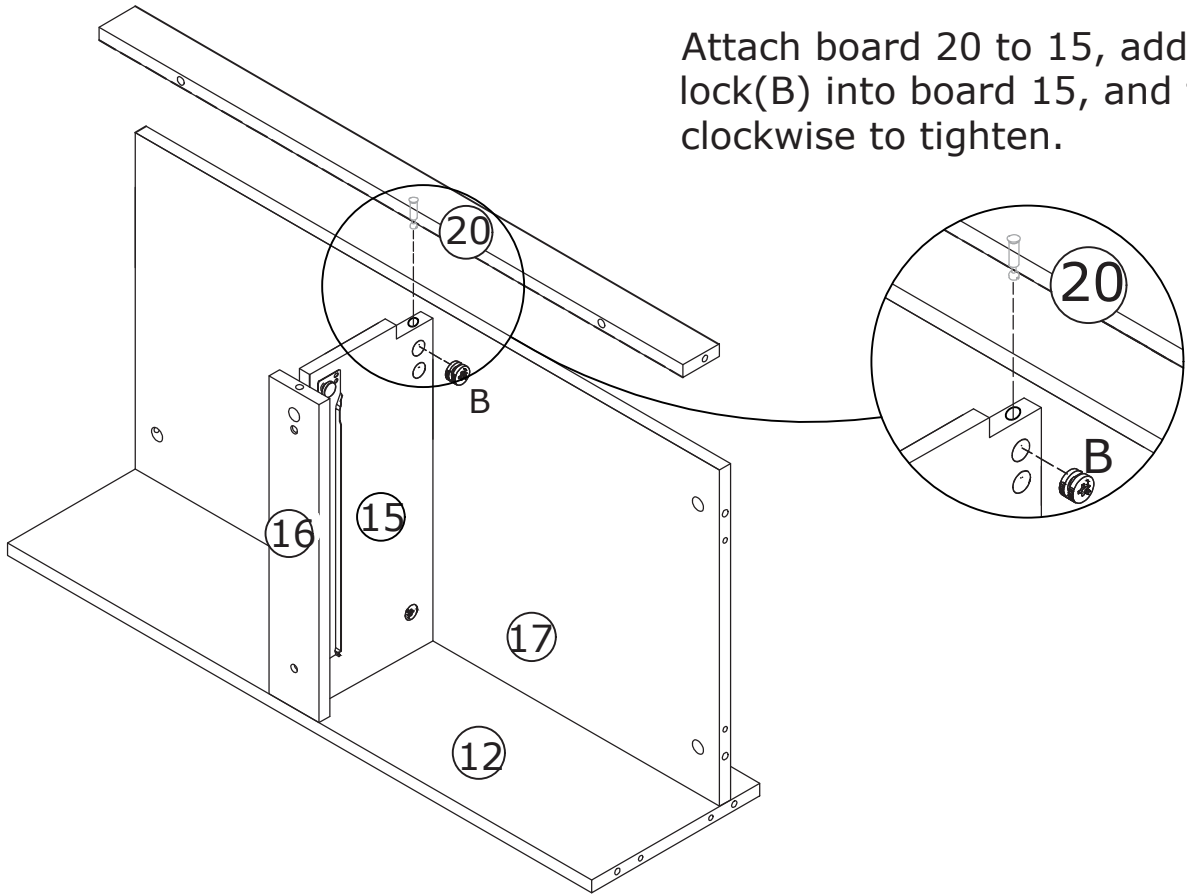
Insert quickfit screw(A) into board 20 with screwdriver.



7

| | |
|--|---|
| Bx1  Ø15x10mm |  |
|--|---|

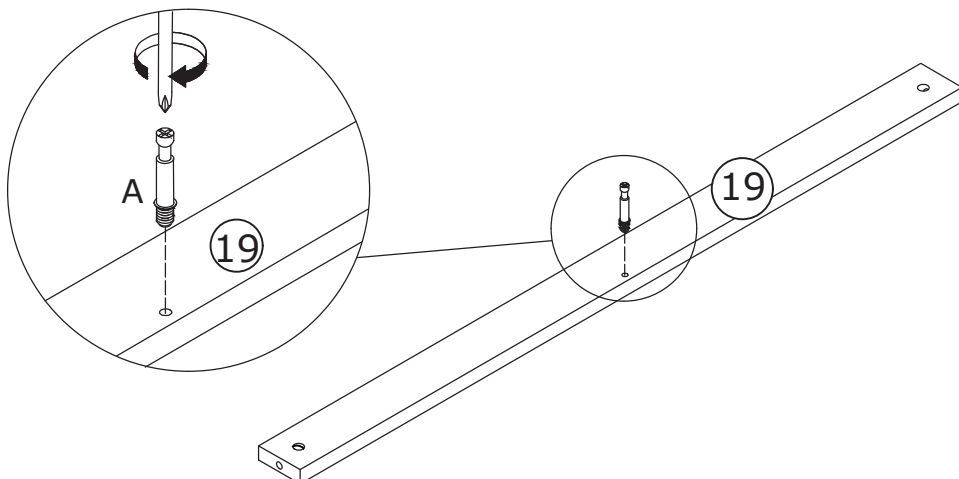
Attach board 20 to 15, add cam lock(B) into board 15, and turn clockwise to tighten.




8

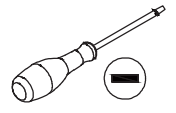
| | |
|---|---|
| Ax1  Ø6x35mm |  |
|---|---|

Insert quickfit screw(A) into board 19 with screwdriver.

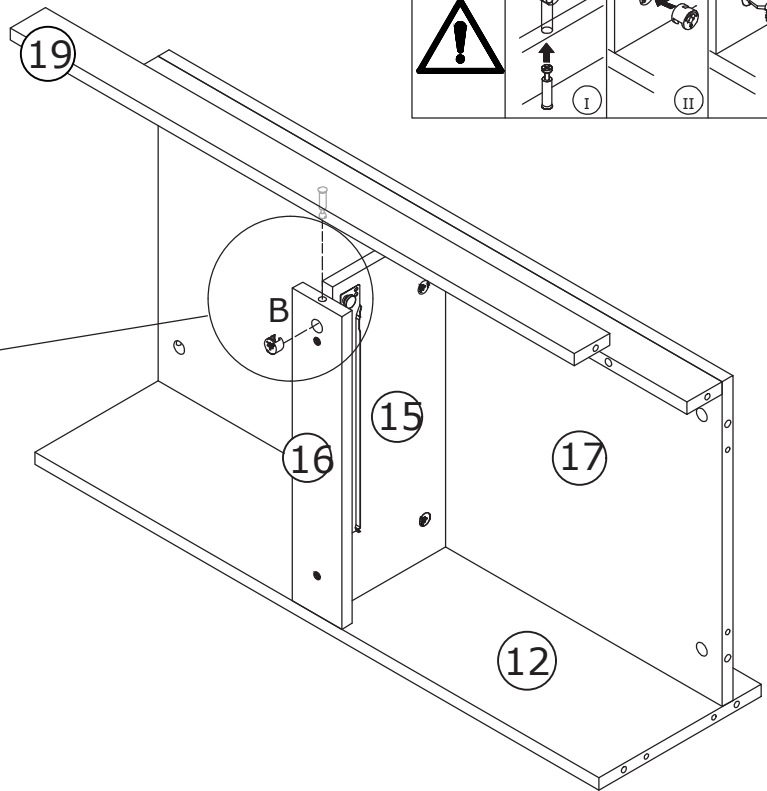
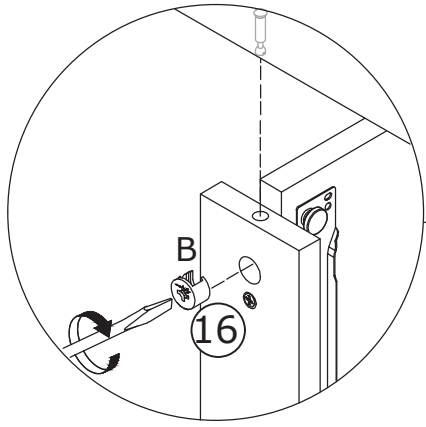
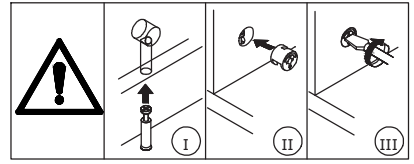


9


Bx1

Ø15x10mm



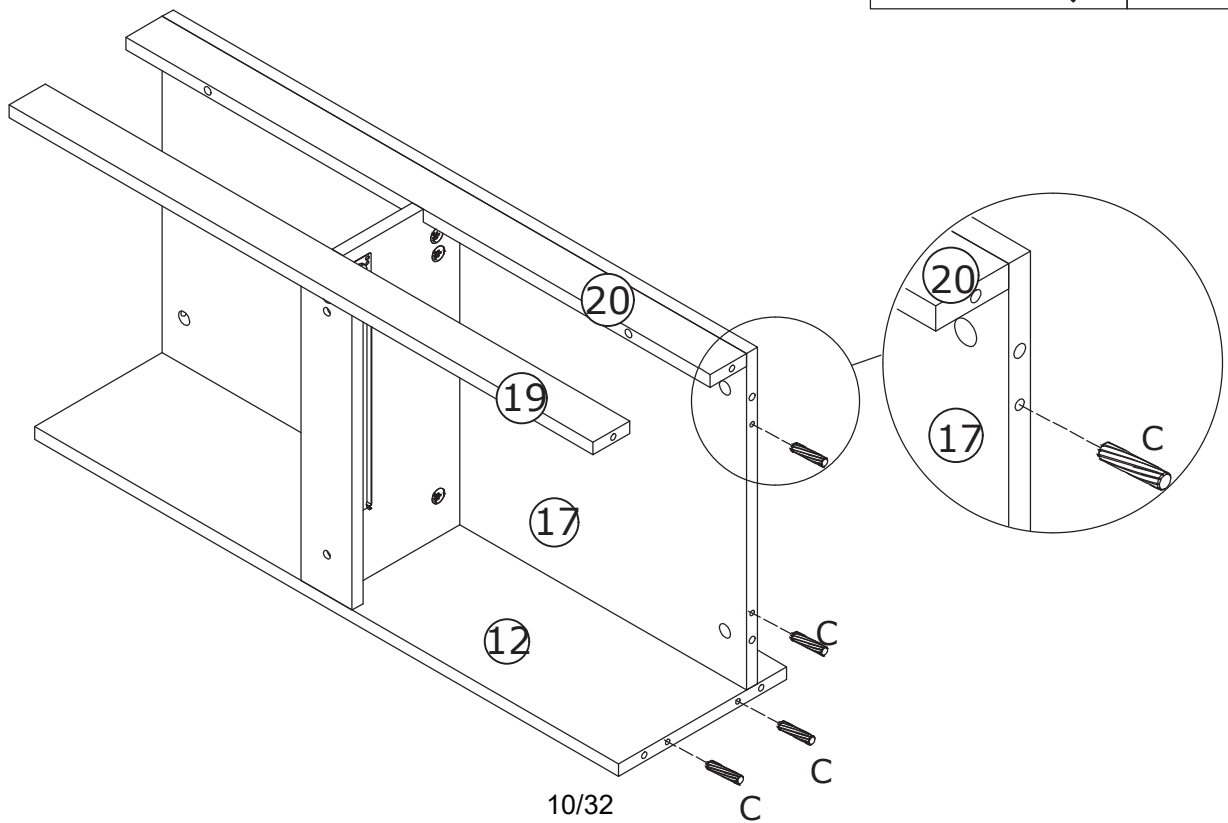
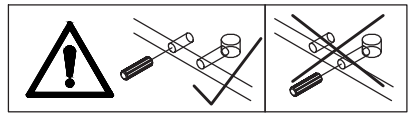
Attach board 16 to 19, add cam lock (B) into board 16, and turn cam locks clockwise to tighten.






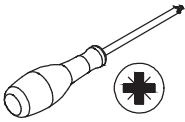
10

Cx4

Ø6x30mm

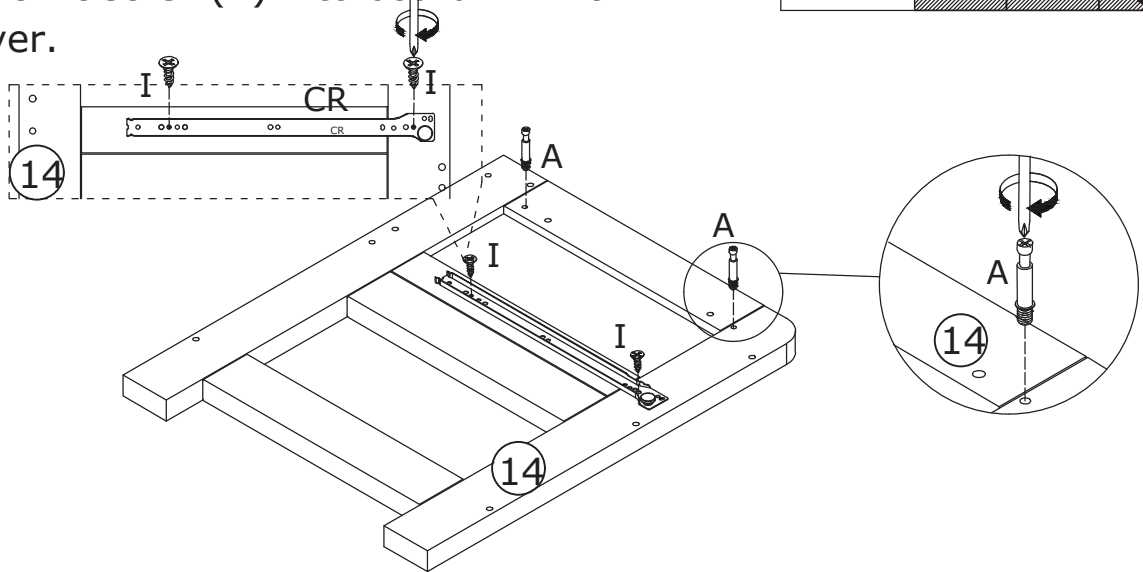
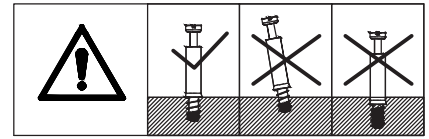
Insert wooden dowel (C) into corresponding holes in board 19, 20, 17 and 12 as shown.





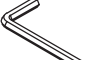

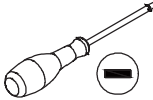
11

| | | | |
|---|---|---|--|
| <p>Ax2</p>  <p>Ø6x35mm</p> | <p>Ix2</p>  <p>Ø3.5x12mm</p> | <p>CRx1</p>  <p>L300mm</p> |  |
|---|---|---|--|

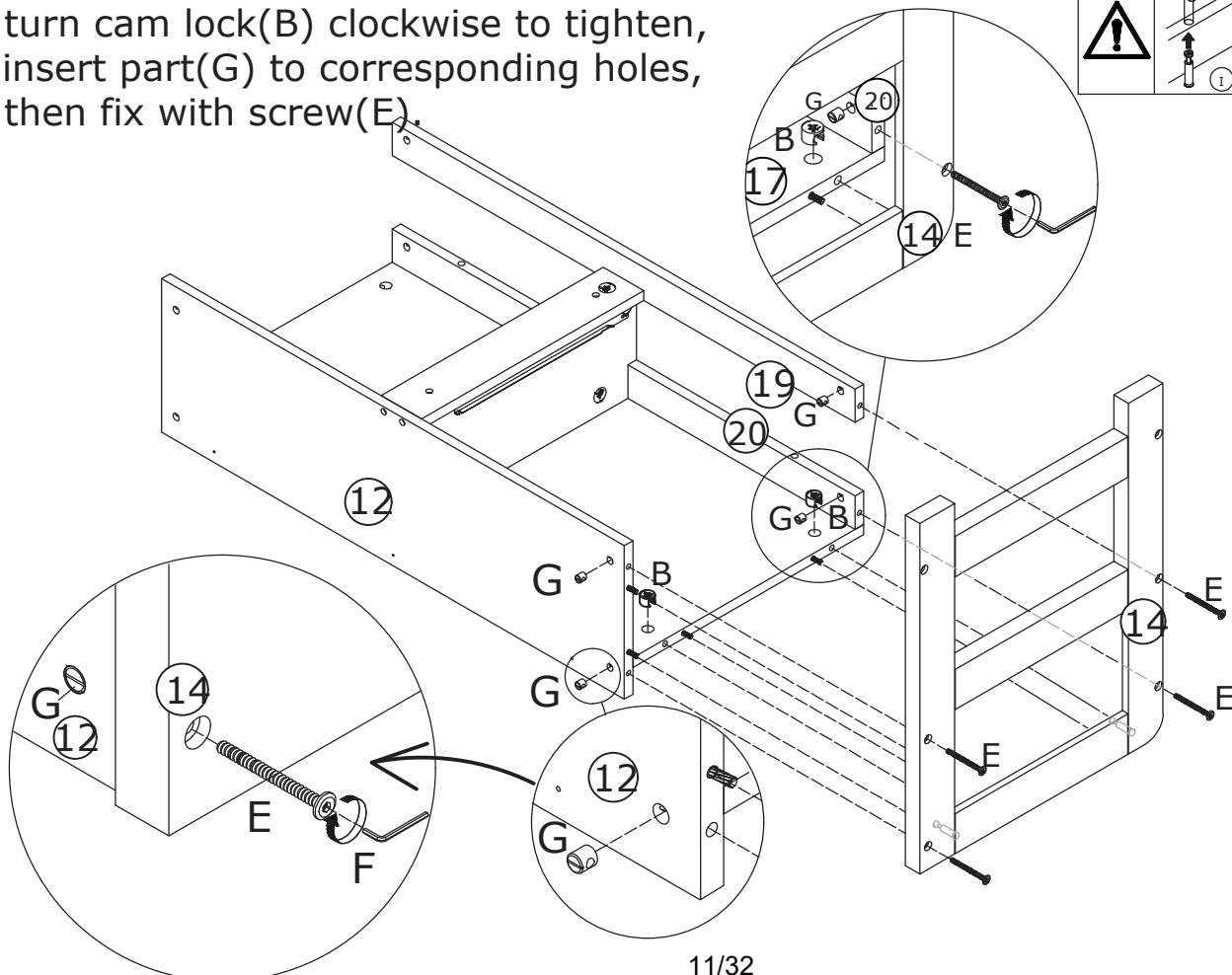
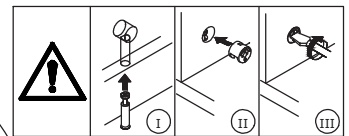
Fix slide rail(CR) to board 14 with screw(I) as shown.
Insert quickfit screw(A) into board 14 with screwdriver.



12

| | | | | |
|--|---|--|--|---|
| <p>Bx2</p>  <p>Ø15x10mm</p> | <p>Ex4</p>  <p>Ø6x60mm</p> | <p>Fx1</p>  <p>M4mm</p> | <p>Gx4</p>  <p>Ø9x10mm</p> |  |
|--|---|--|--|---|

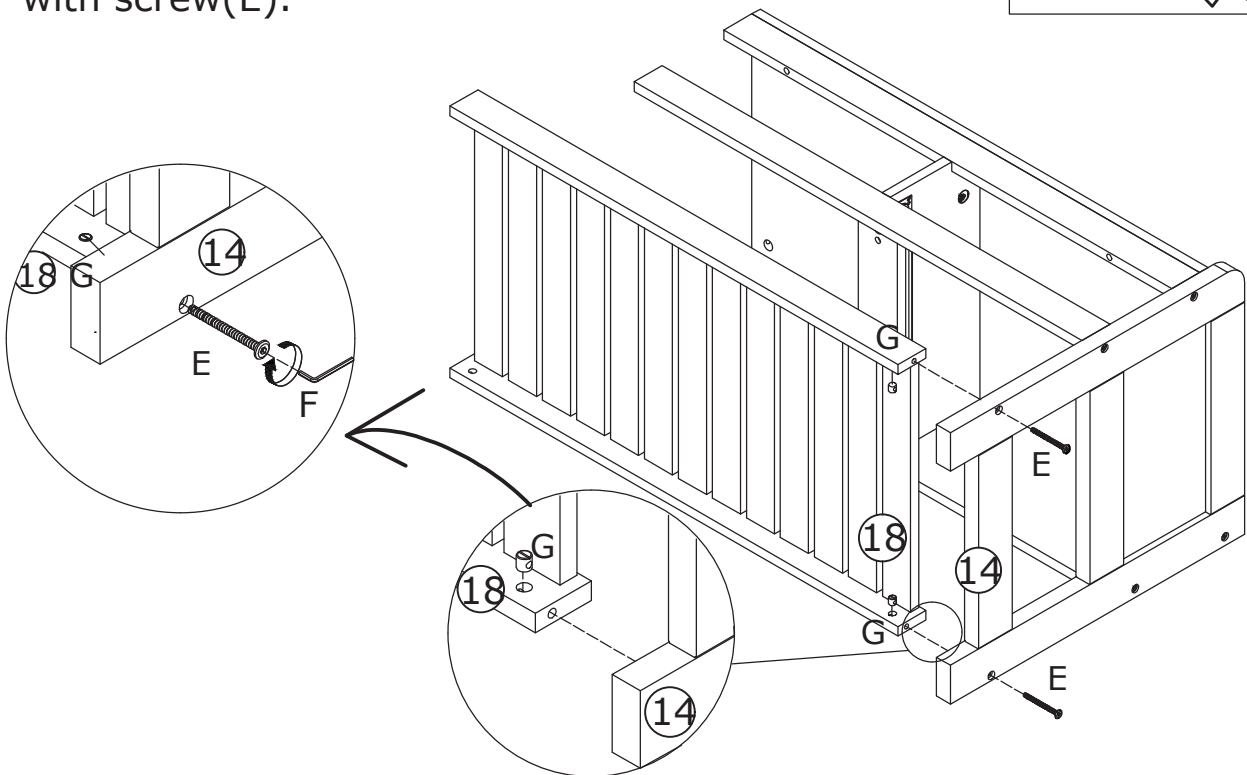
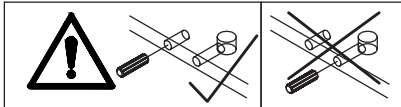
Attach board 14 to the component, turn cam lock(B) clockwise to tighten, insert part(G) to corresponding holes, then fix with screw(E).



13

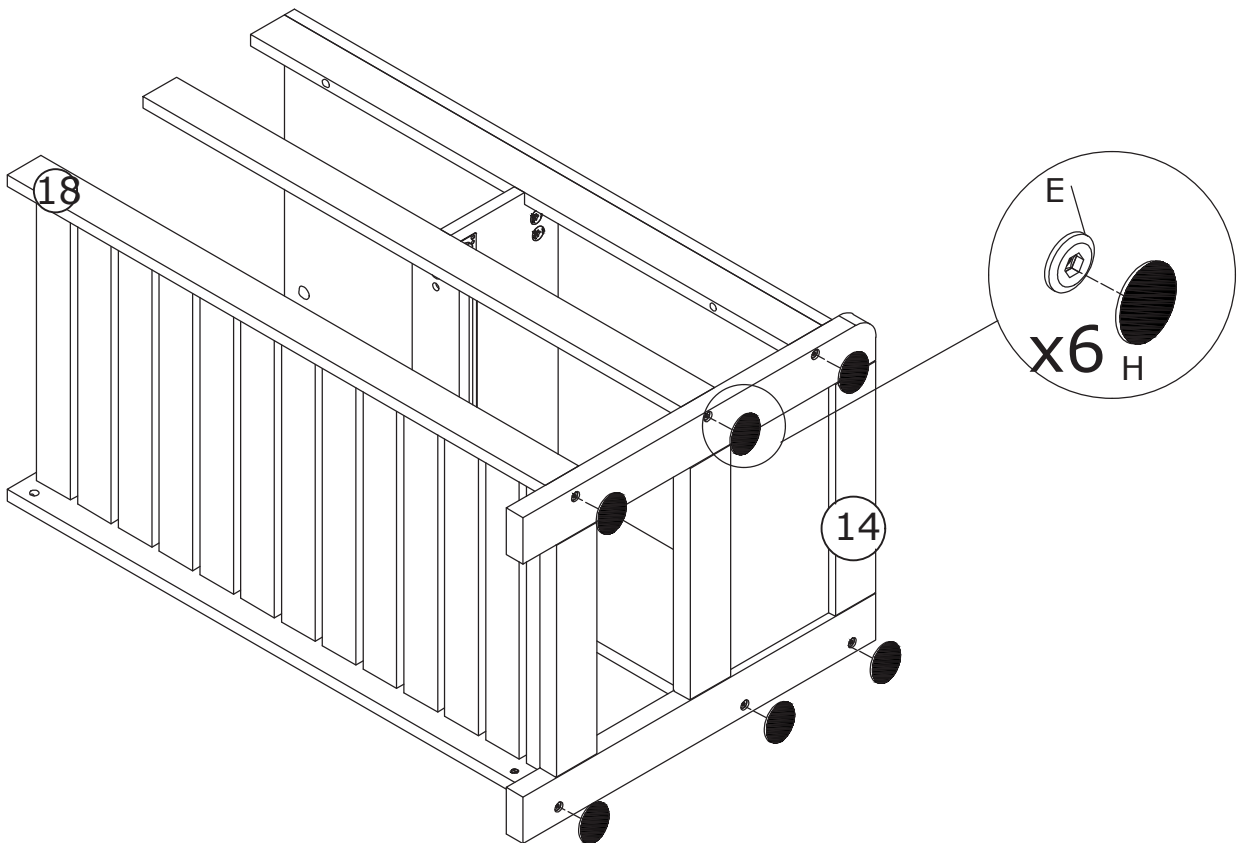
| | | | |
|---|--|---|---|
| Ex2  Ø6x60mm | Fx1  M4mm | Gx2  Ø9x10mm |  |
|---|--|---|---|

Insert part(G) to corresponding holes, then fix with screw(E).



14

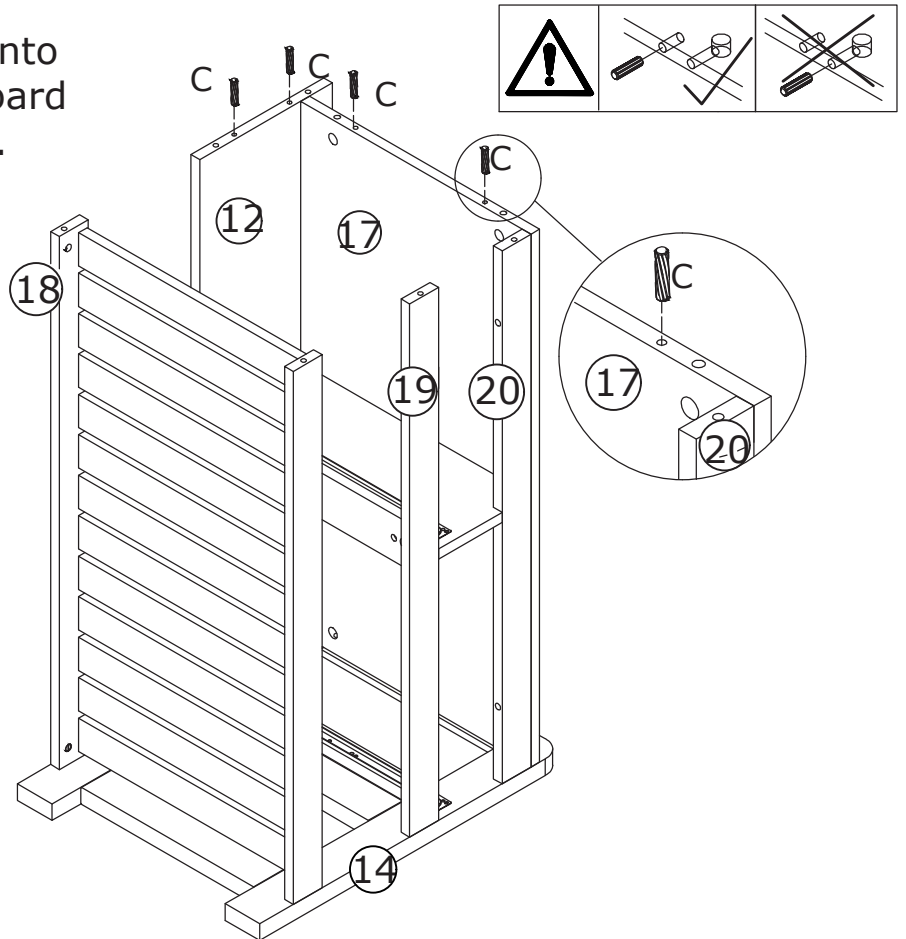
| | |
|---|--|
| Hx6  Ø18mm | |
|---|--|



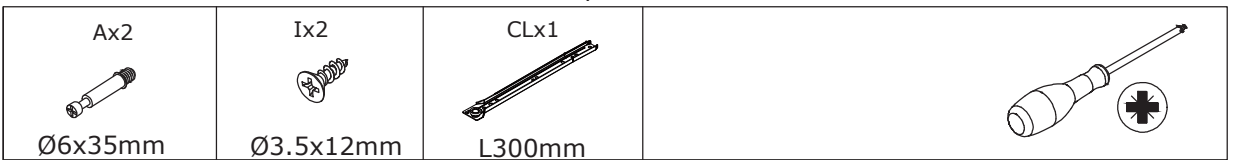
15



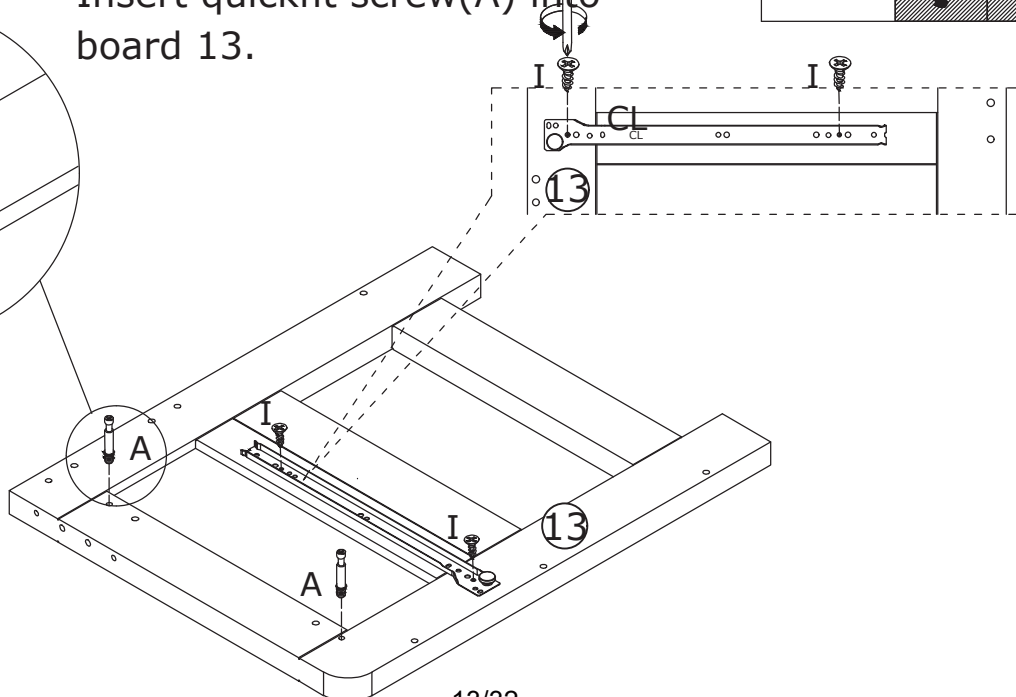
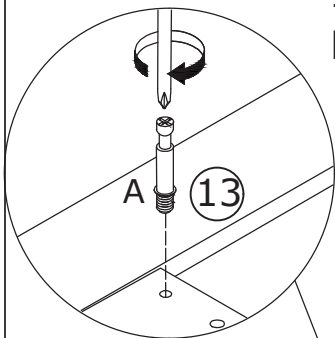
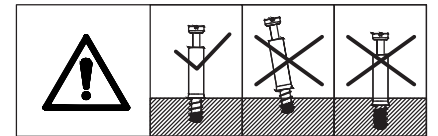
Insert wooden dowel(C) into corresponding holes in board 19,20,17and12 as shown.







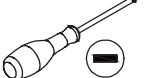
16



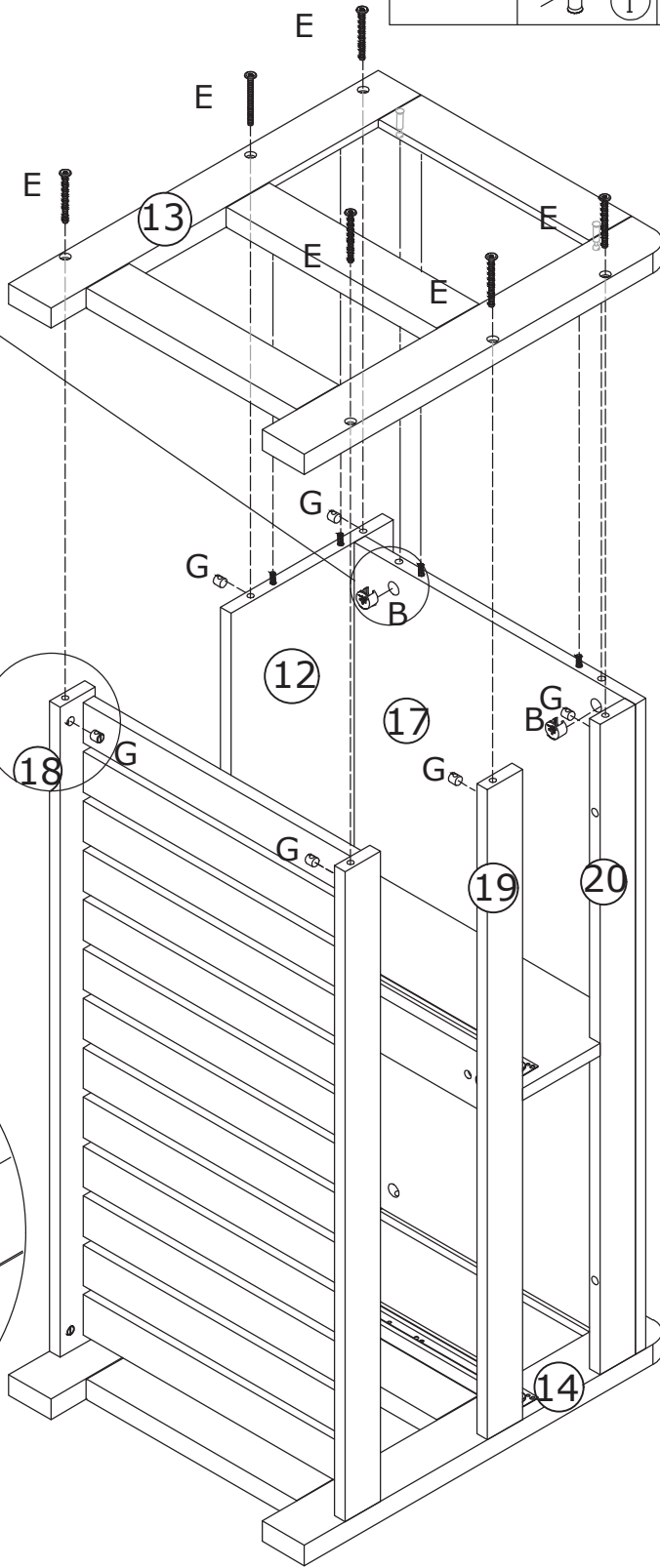
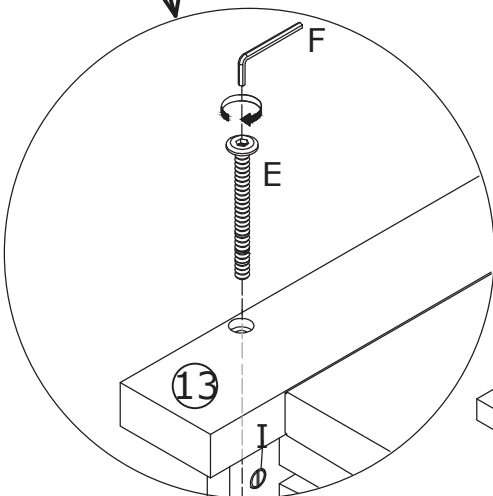
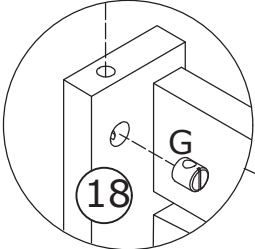
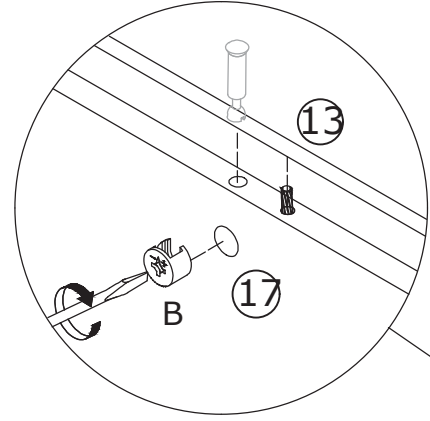
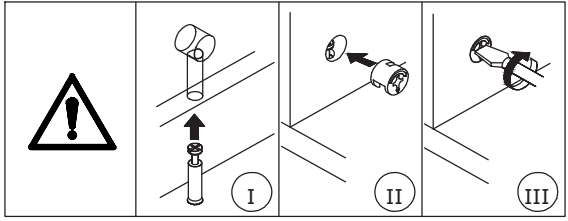
Fix slide rail(CL) to board 13 with screw(I) as shown.
Insert quickfit screw(A) into board 13.



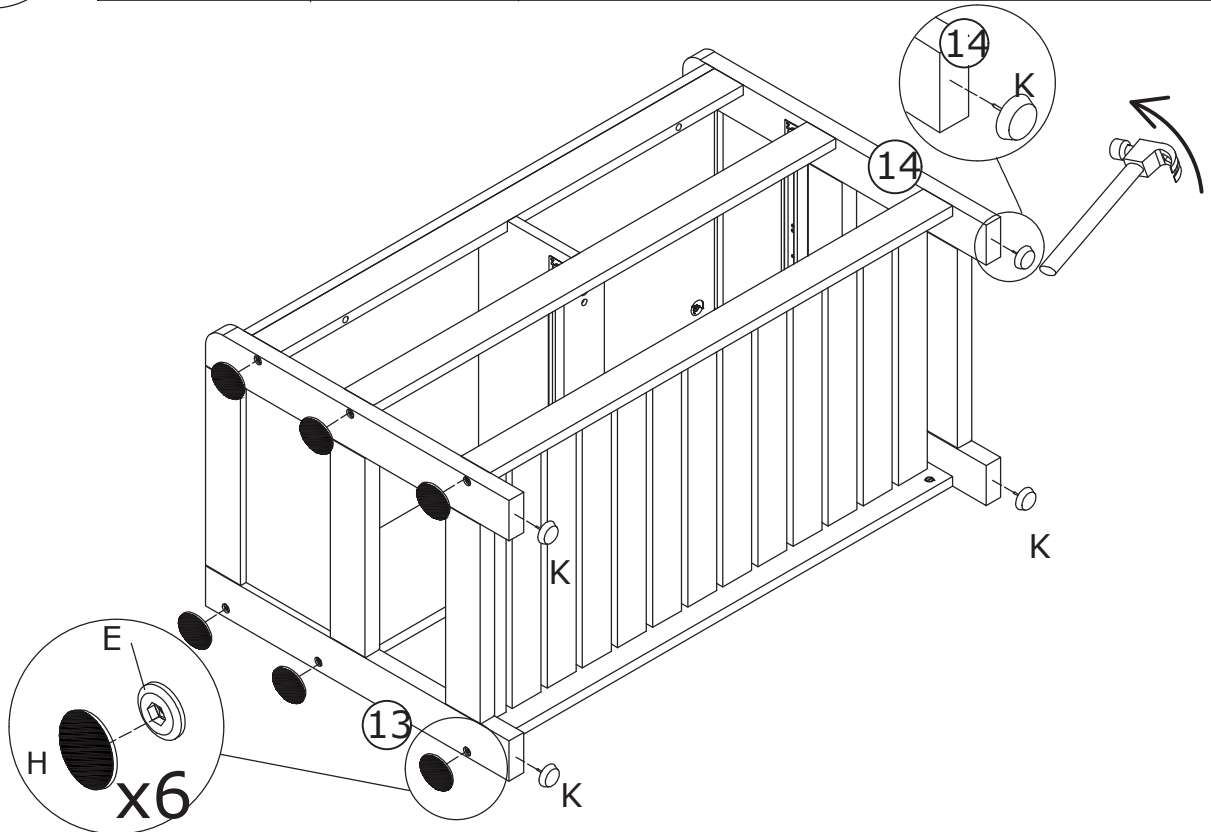
17

| | | | | |
|--|---|--|--|---|
| Bx2  Ø15x10mm | Ex6  Ø6x60mm | Fx1  M4mm | Gx6  Ø9x10mm |  |
|--|---|--|--|---|

Attach board 13 to the component, turn cam lock(B) clockwise to tighten, insert part(G) into holes, then fix with screw(E).



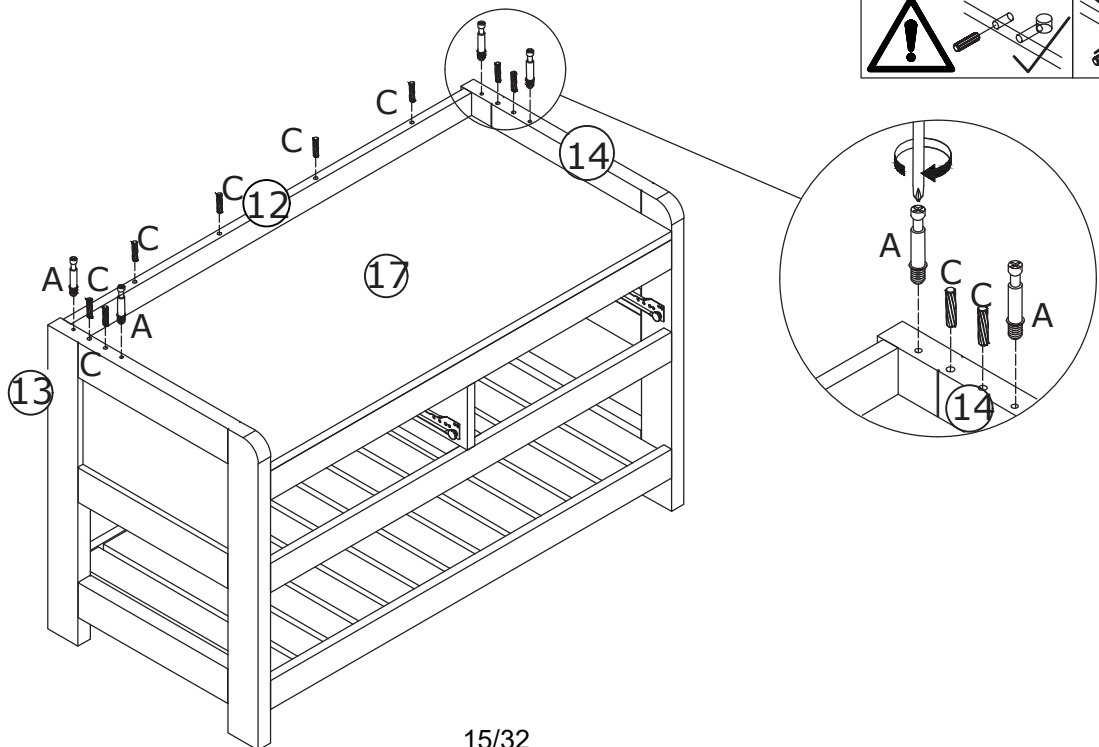
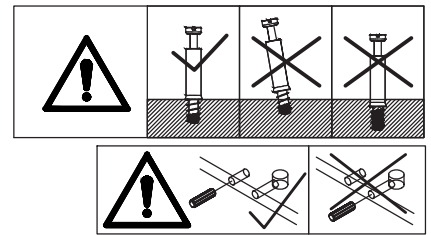
18



19



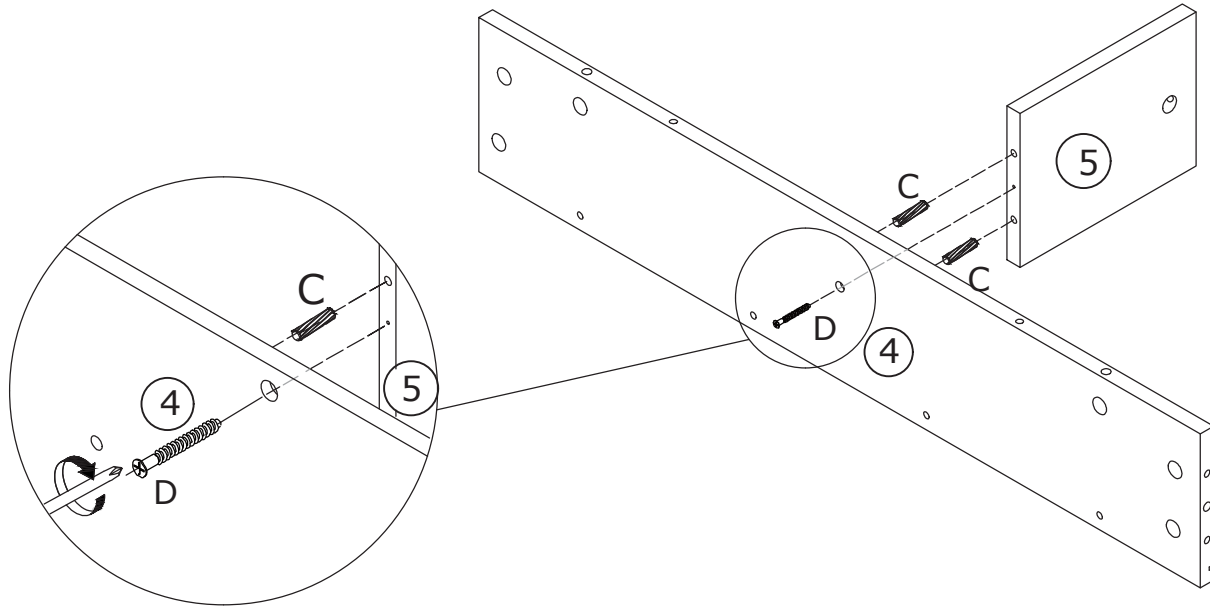
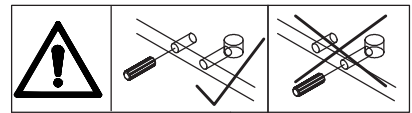
Insert quickfit screw(A) and wooden dowel(C) into board 17 as shown.



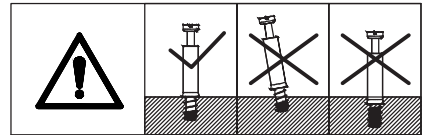
20



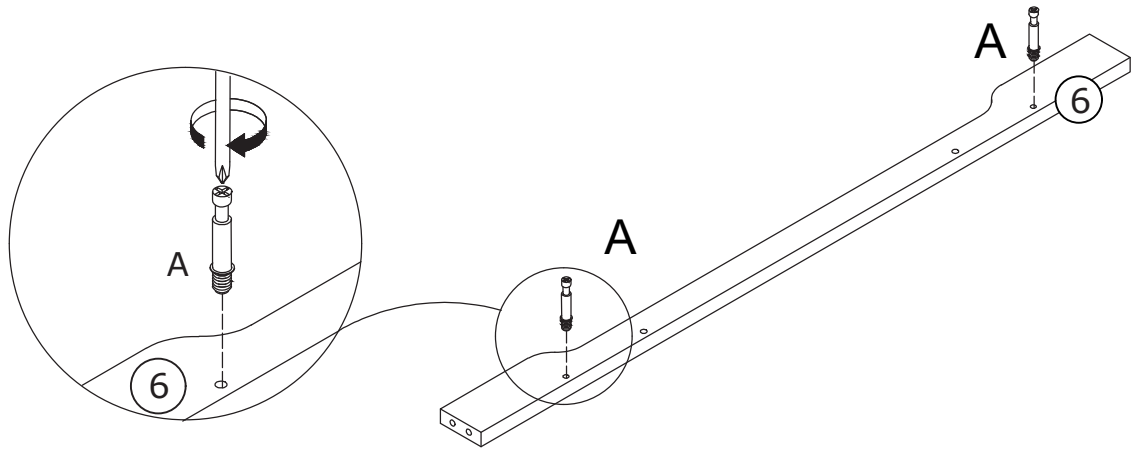
Attach board 5 to 4 with wooden dowel(C) and screw(D) as shown.








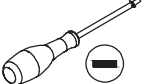
21



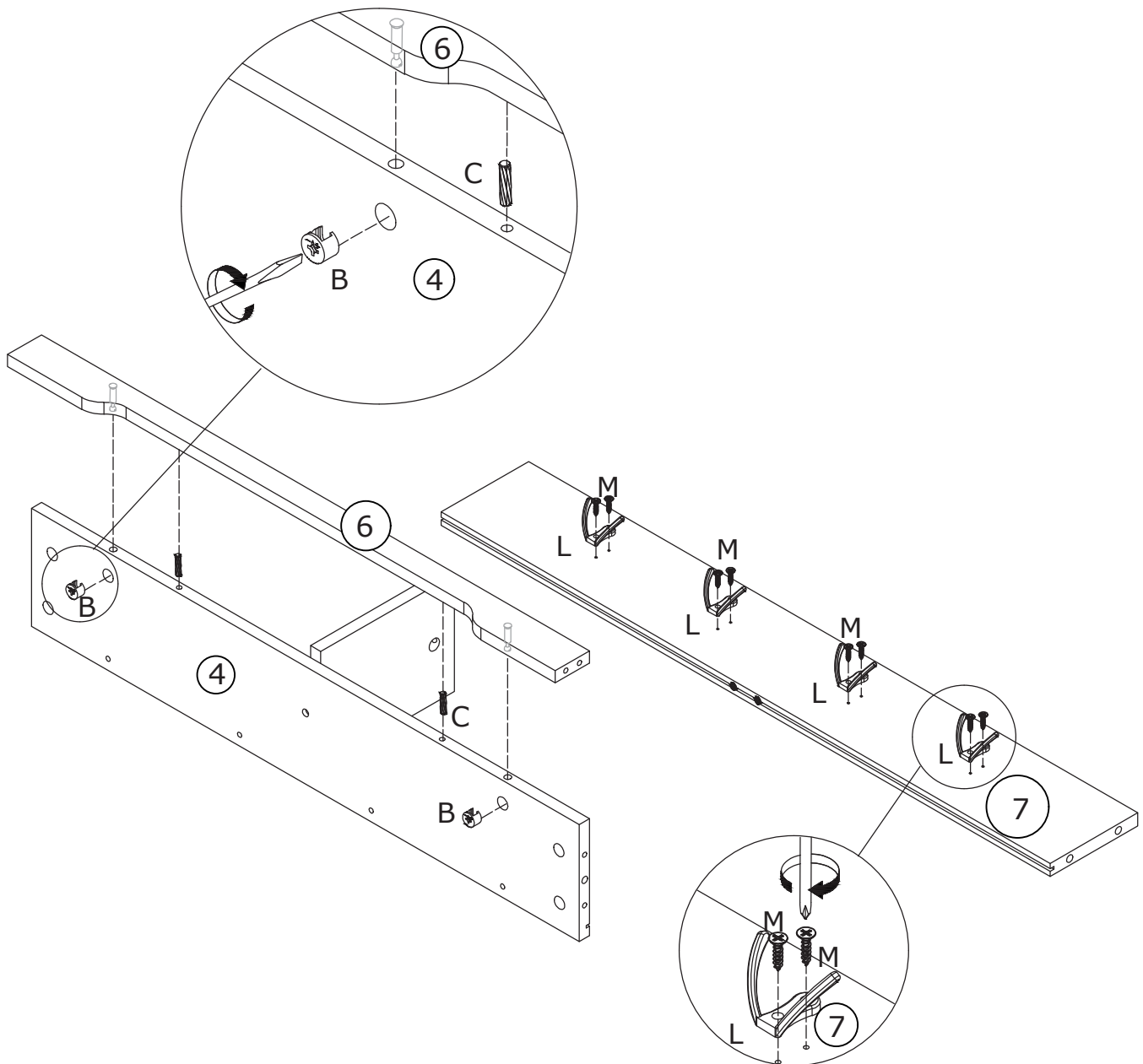
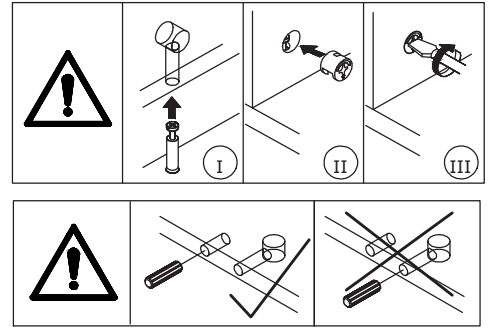
Insert quickfit screw(A) into board 6 at first.



22

| | | | | |
|--|---|--|---|---|
| Bx2  Ø15x10mm | Cx2  Ø6x30mm | Lx4  | Mx8  |   |
|--|---|--|---|---|

Attach board 6 to 4, add cam lock(B) into board 4, and turn clockwise to tighten.
Fix part(L) to board 7 with screw(M) as shown.



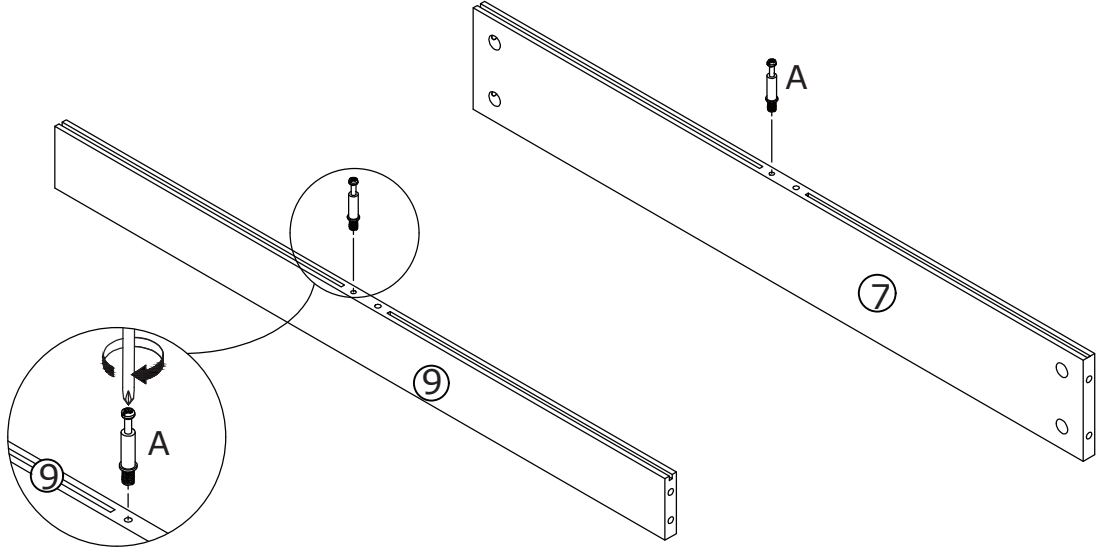
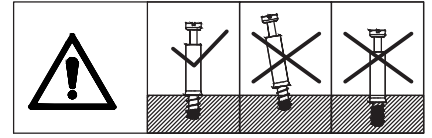
23

Ax2



Ø6x35mm

Insert quickfit screw(A) into board 7 and 9 at first.



24

Bx2



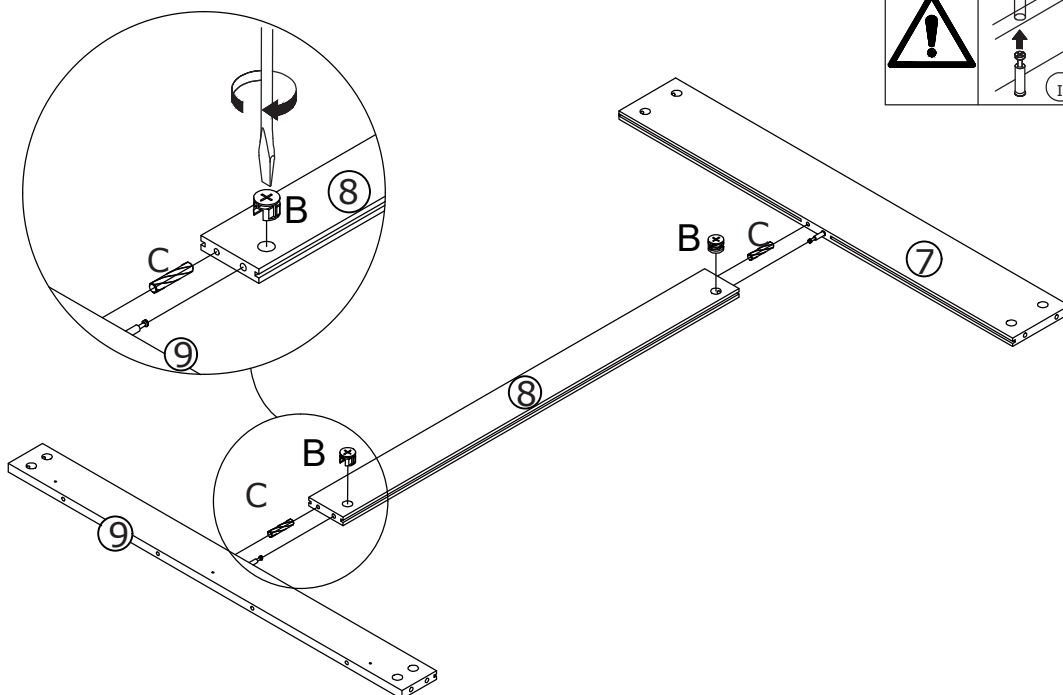
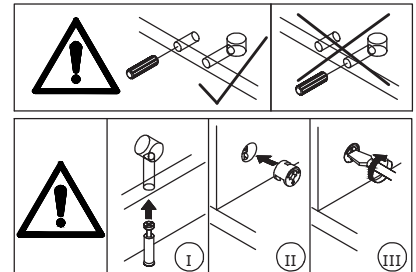
Ø15x10mm

Cx2



Ø6x30mm

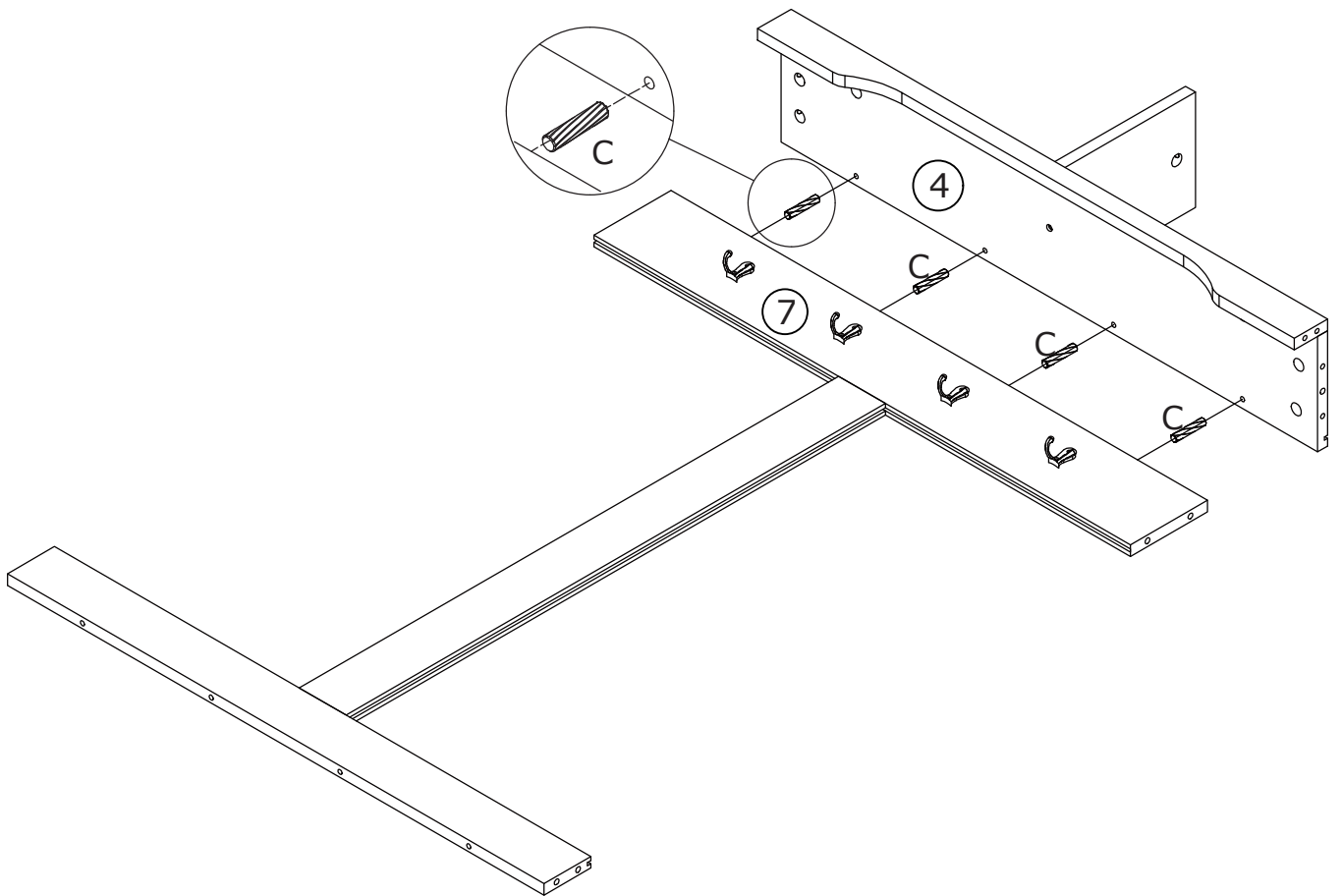
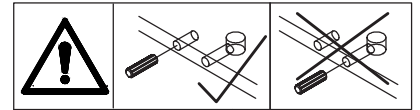
Coonect board 8 to board 7 and 9 using screw(C), add cam lock(B) into board 8 and turn clockwsie to tighten as shown.



25



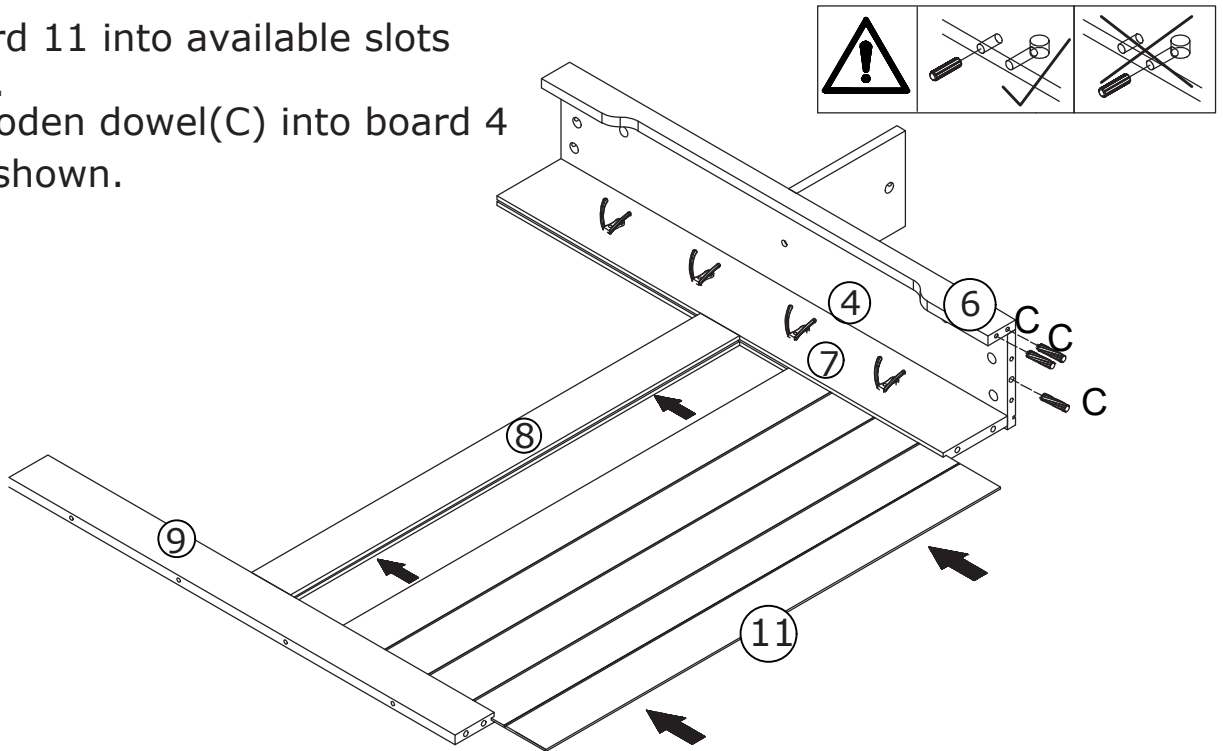
Connect board 7 to 4 with wooden dowel(C)
as shown.



26



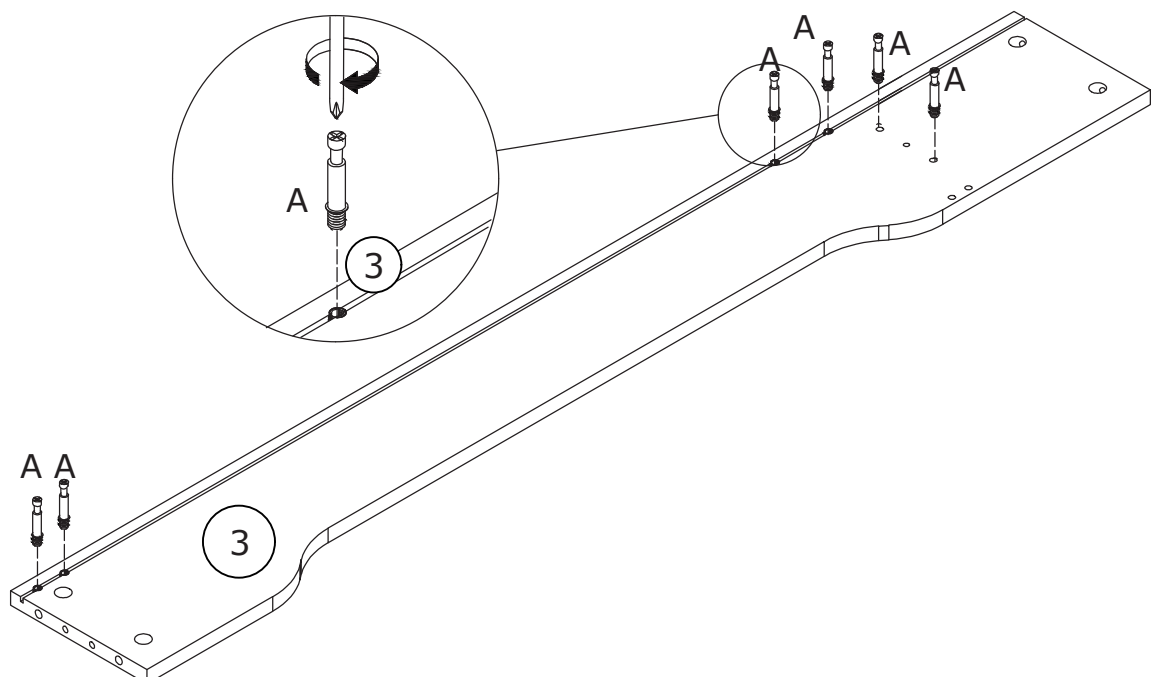
Slide board 11 into available slots as shown.
Insert wooden dowel(C) into board 4 and 6 as shown.



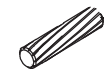
27



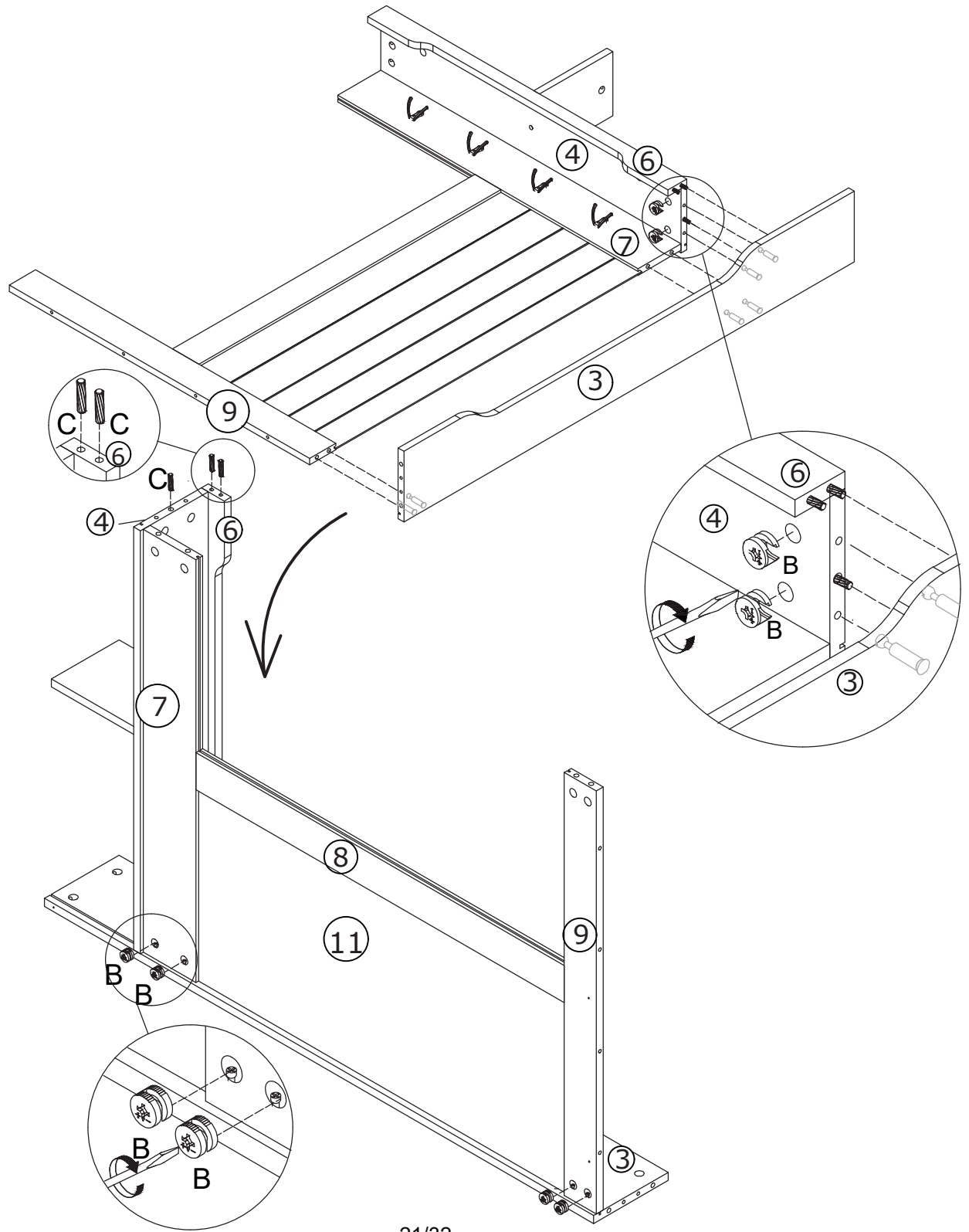
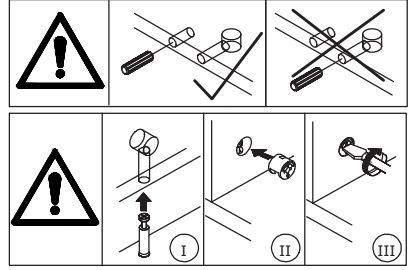
Insert quickfit screw(A) into board 3 at first.



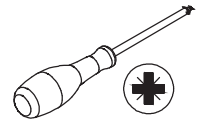
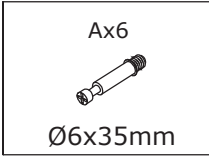
28

| | | |
|--|---|---|
| Bx6  Ø15x10mm | Cx3  Ø6x30mm |  |
|--|---|---|

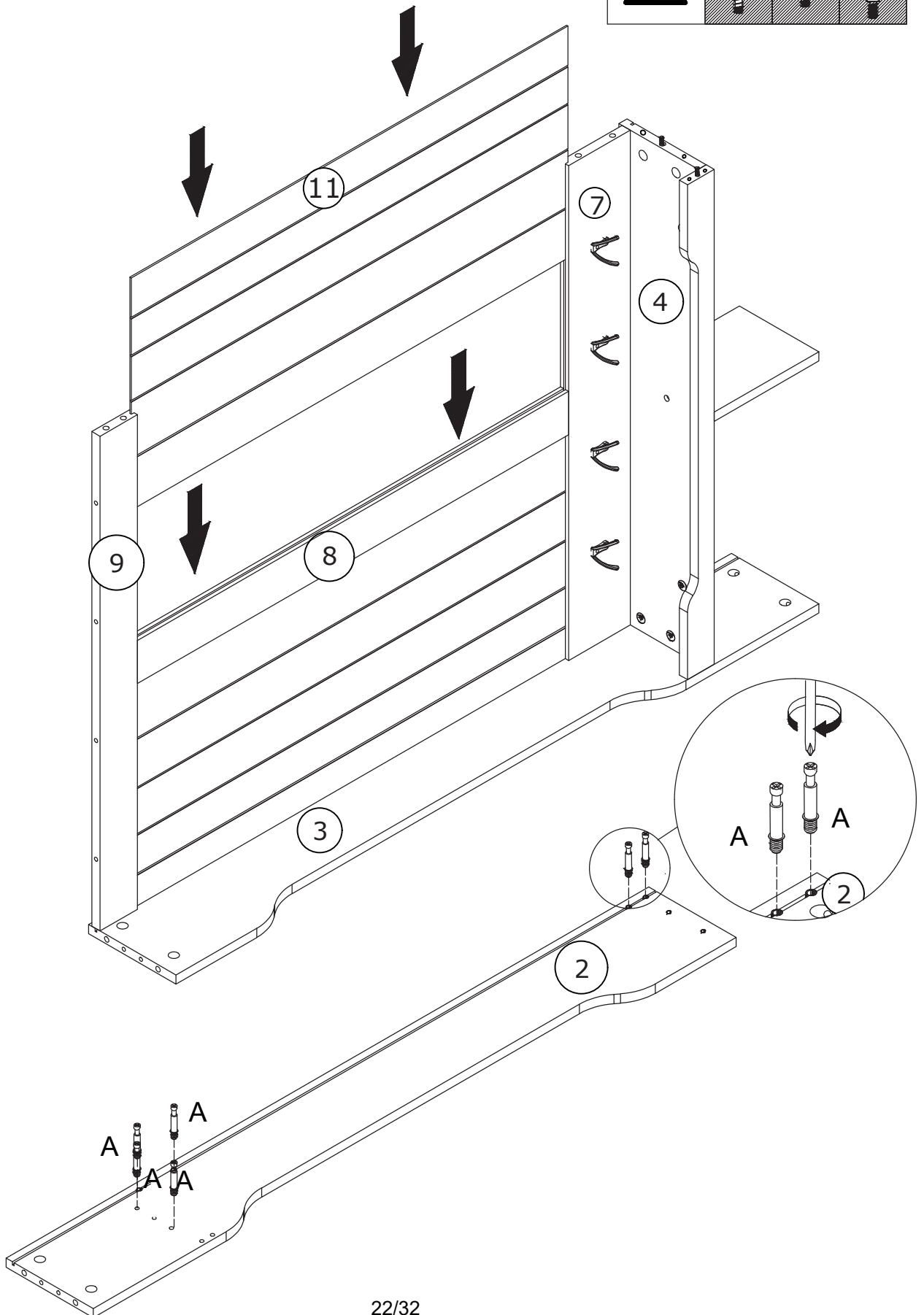
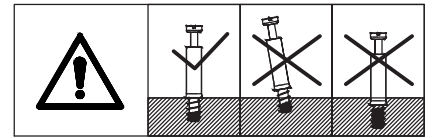
Attach board 3 to the component, add cam locks(B) into board 4,7 and 9, add turn clockwise to tighten.
Insert wooden dowel(C) into corresponding holes in board 4 and 6 as shown.



29



Slide board 11 into available slots as shown.
Insert quickfit screw(A) into board 2.

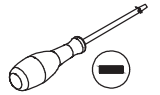


30

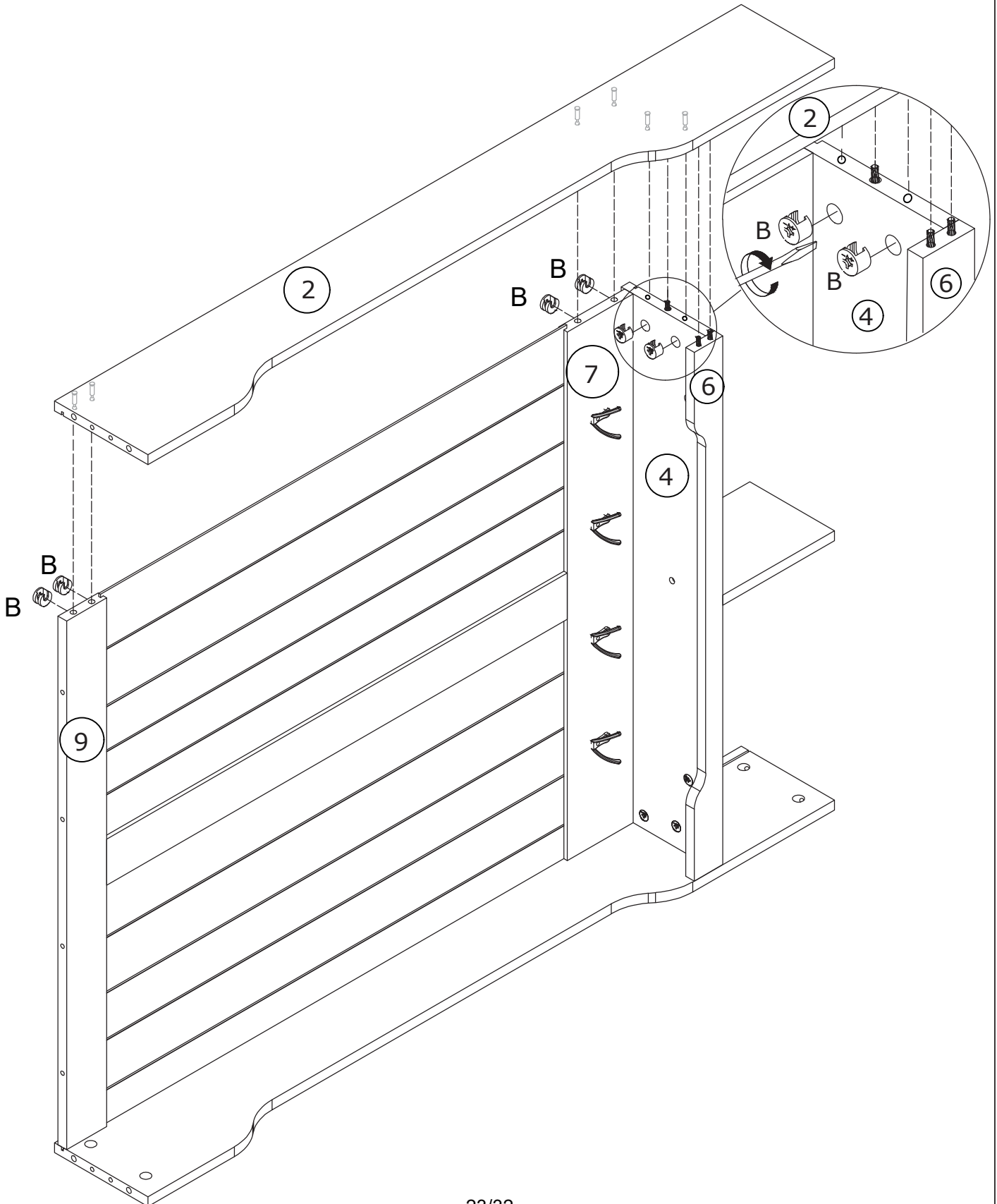
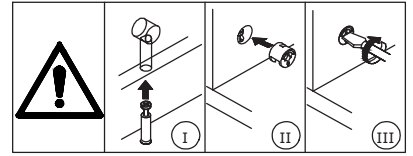
Bx6



Ø15x10mm



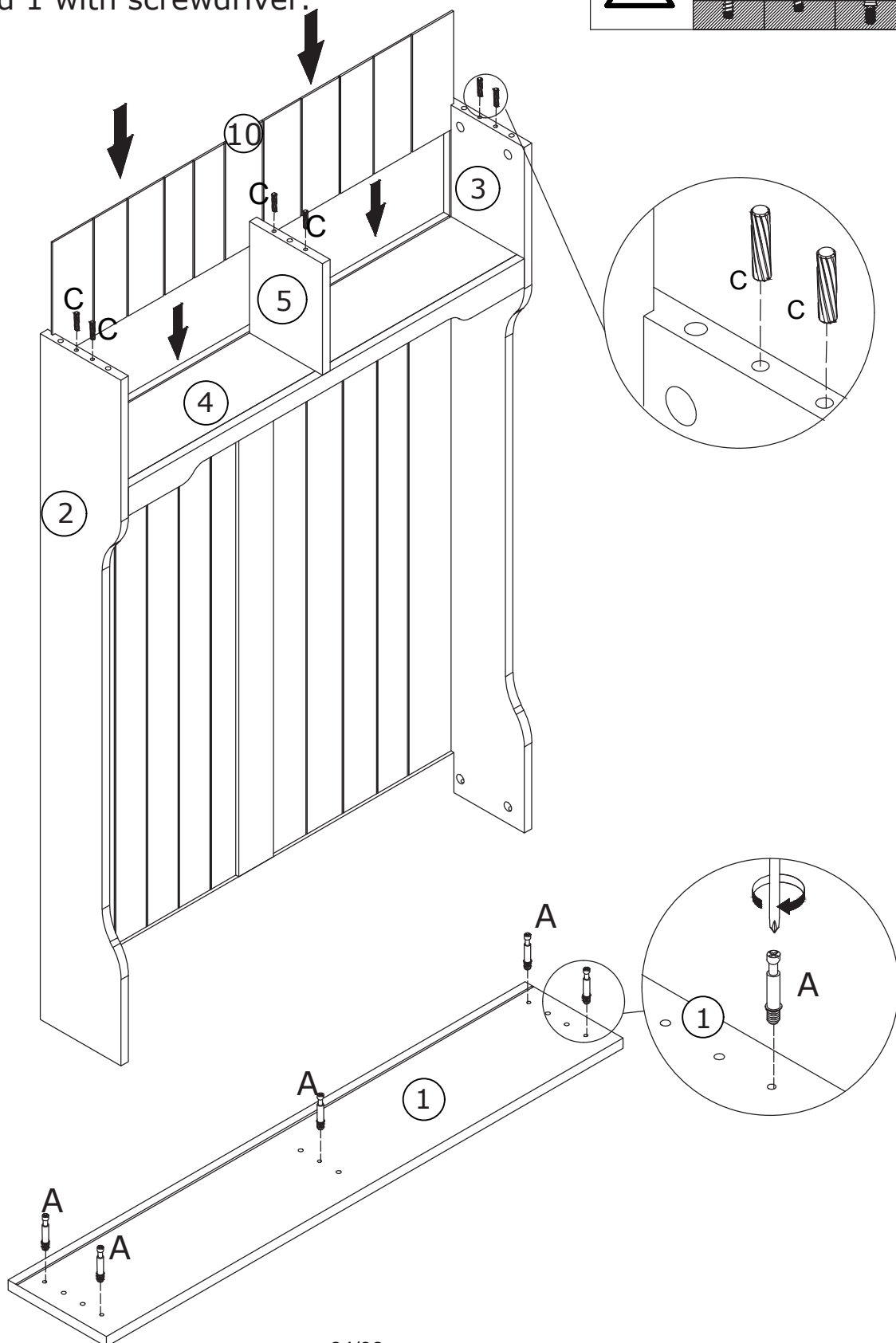
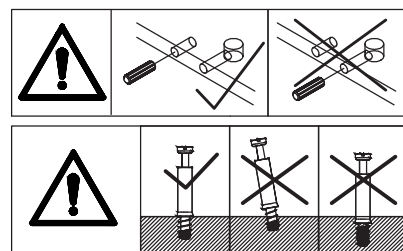
Attach board 2 to the component, add cam locks(B) into board 9,7 and 4, add turn clockwise to tighten.



31



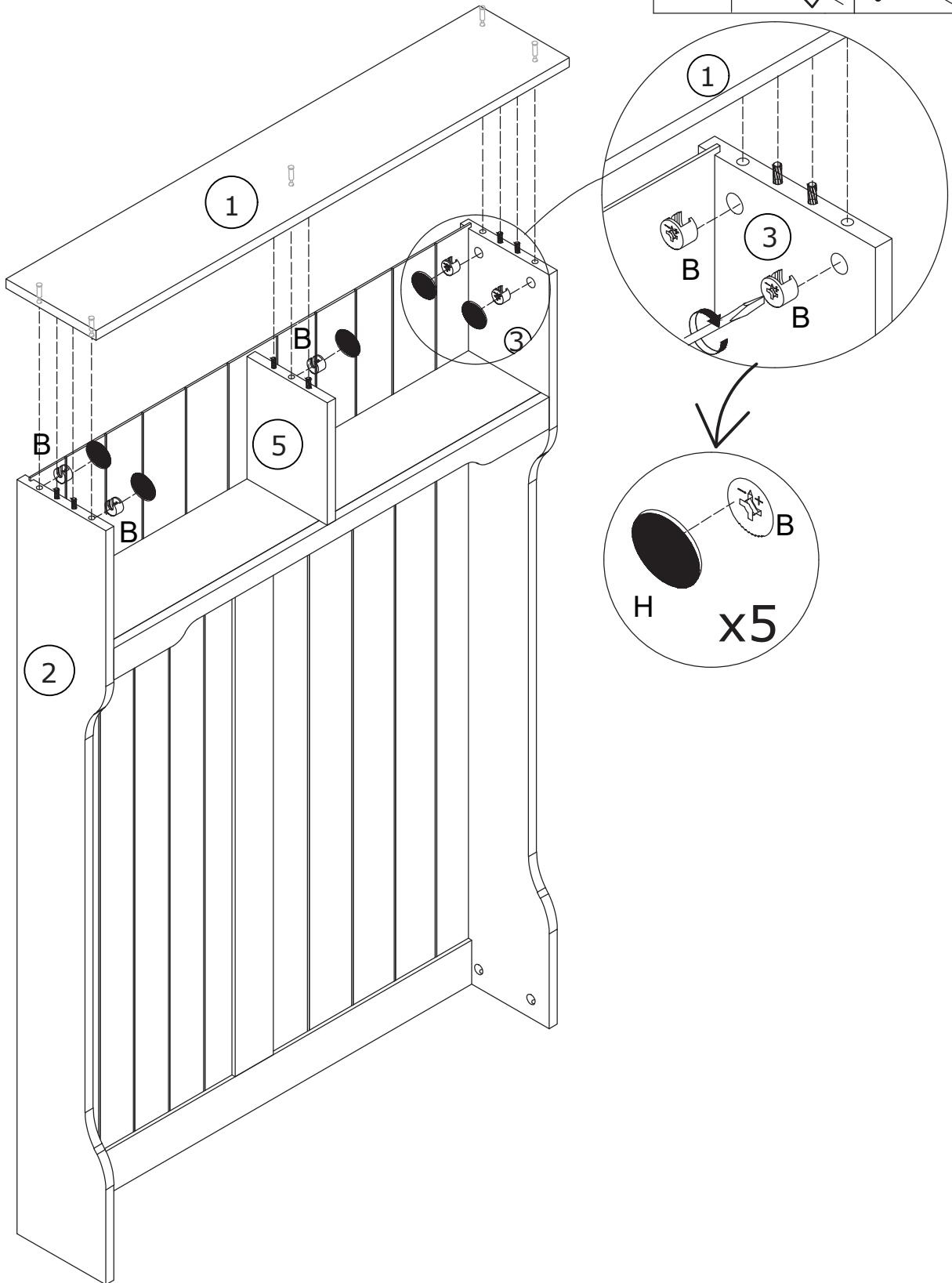
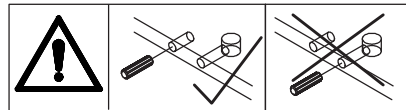
Slide board 10 into available slots as shown. Insert wooden dowel (C) into corresponding holes in board 2, 5 and 3 as shown. Insert quickfit screw (A) into corresponding holes in board 1 with screwdriver.



32

| | | |
|--|---|---|
| Bx5  Ø15x10mm | Hx5  Ø18mm |  |
|--|---|---|

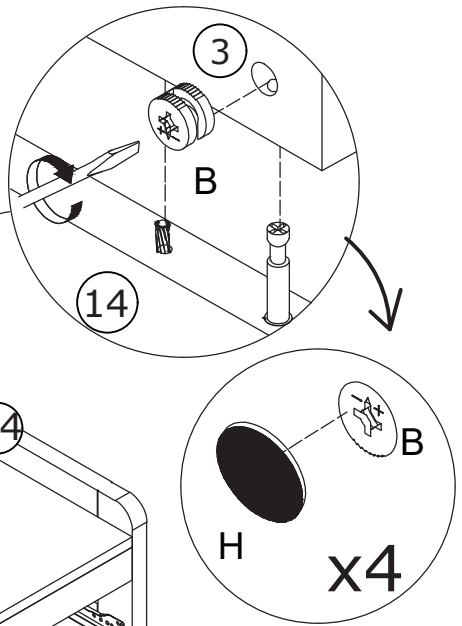
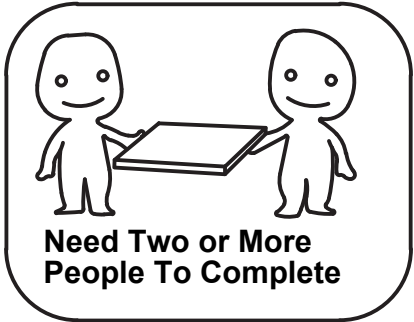
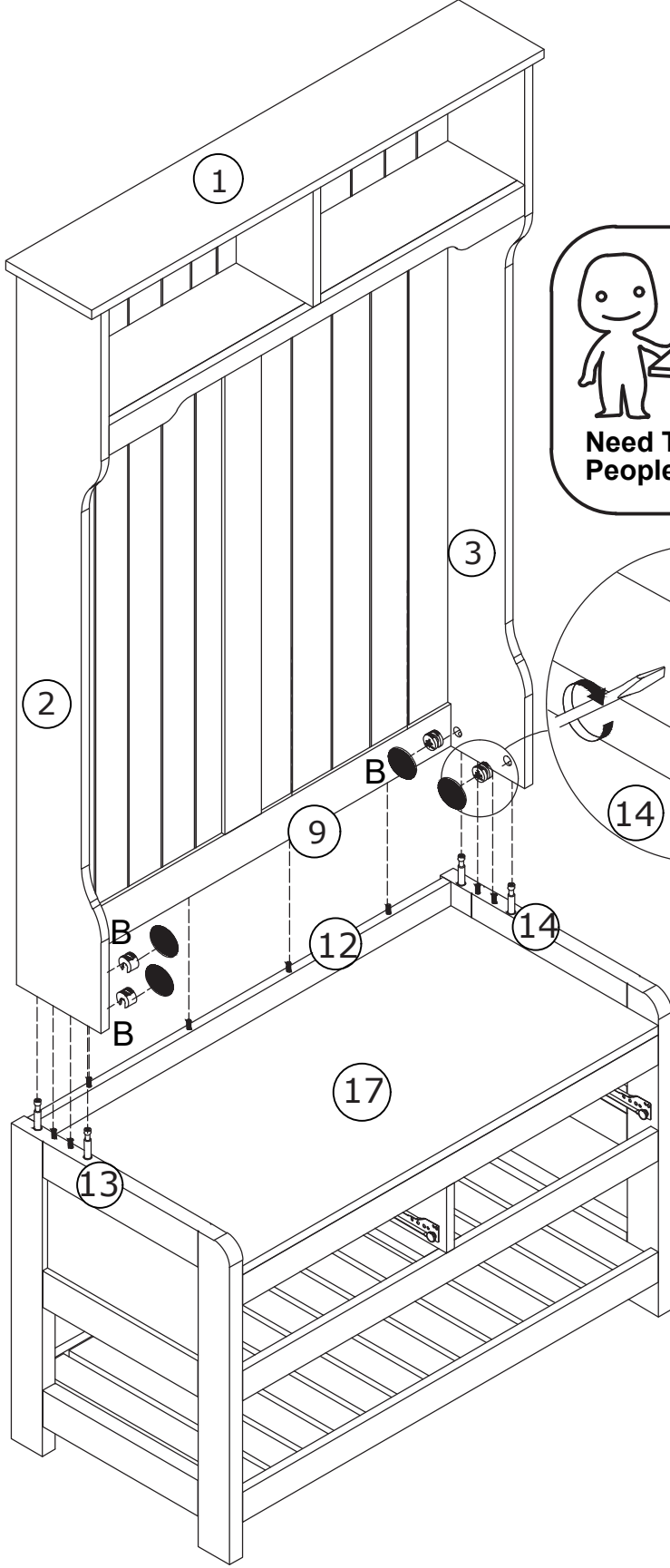
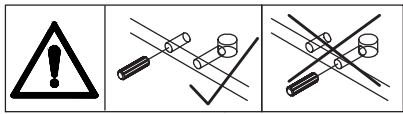
Cover board 1 to the top of unit, add cam lock(B) into board 2,5 and 3 and turn clockwise to tighten.





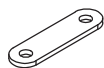


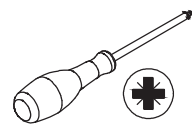
33

| | | |
|--|---|---|
| Bx4  Ø15x10mm | Hx4  Ø18mm |  |
|--|---|---|

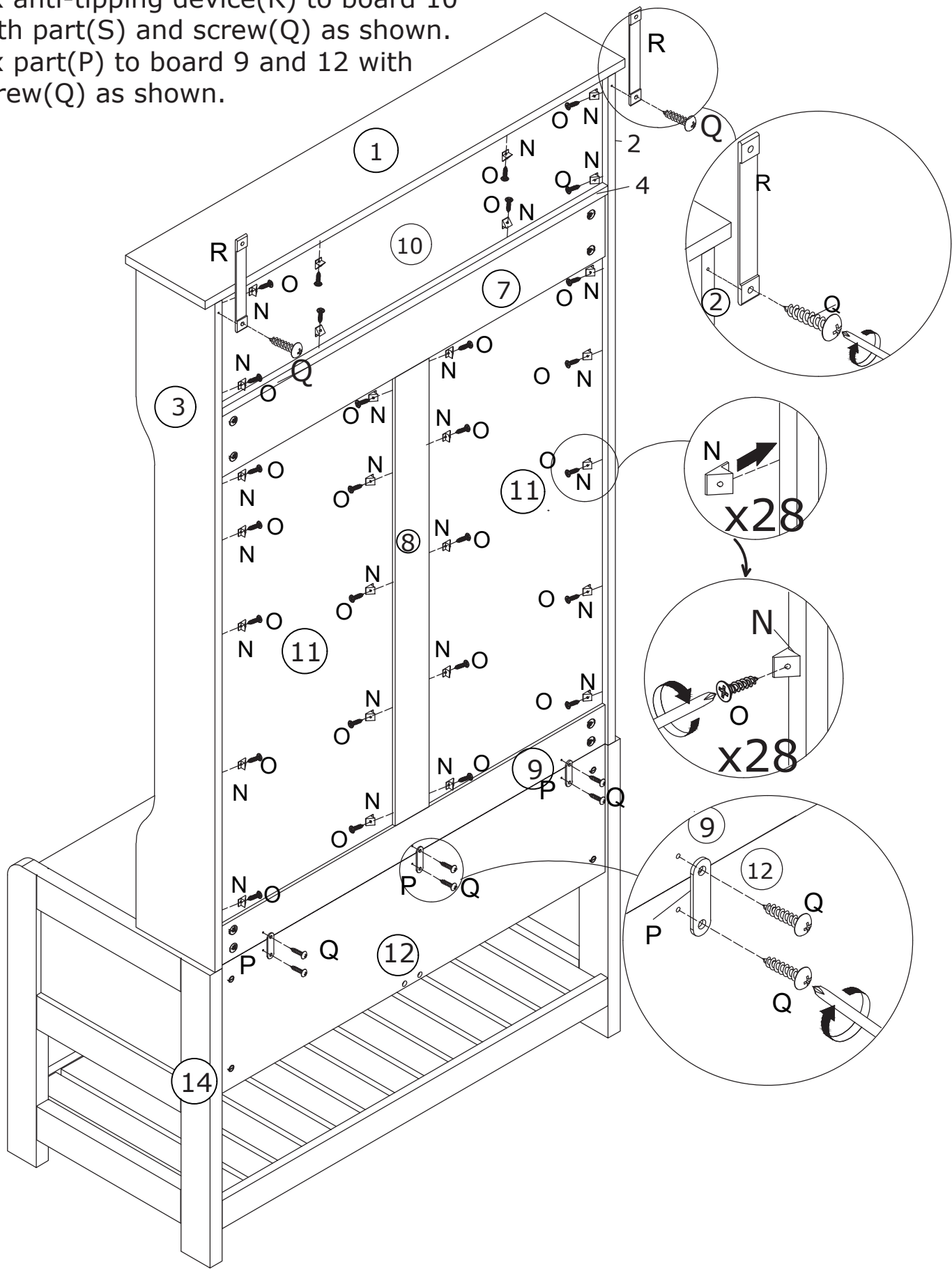
Connect 2 assembled components, add cam locks(B) into board 2 and 3 and turn cam clockwise to tighten.



34

| | | | | | |
|---|--|--|---|---|---|
| <p>Nx28</p>  | <p>Ox28</p>  <p>Ø3x14mm</p> | <p>Px3</p>  | <p>Qx8</p>  <p>Ø4x14mm</p> | <p>Rx2</p>  |  |
|---|--|--|---|---|---|

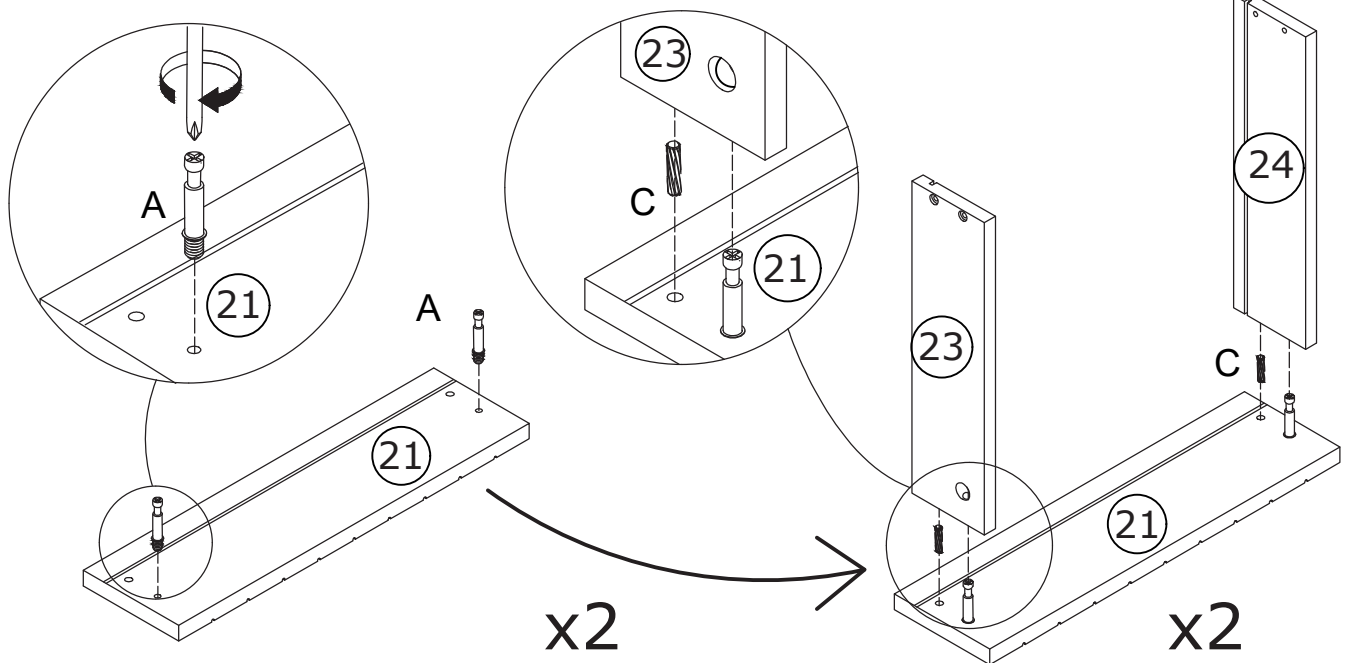
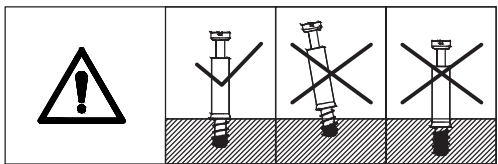
Fix back board with part(N) and screw(O) as shown.
 Fix anti-tipping device(R) to board 10 with part(S) and screw(Q) as shown.
 Fix part(P) to board 9 and 12 with screw(Q) as shown.



35



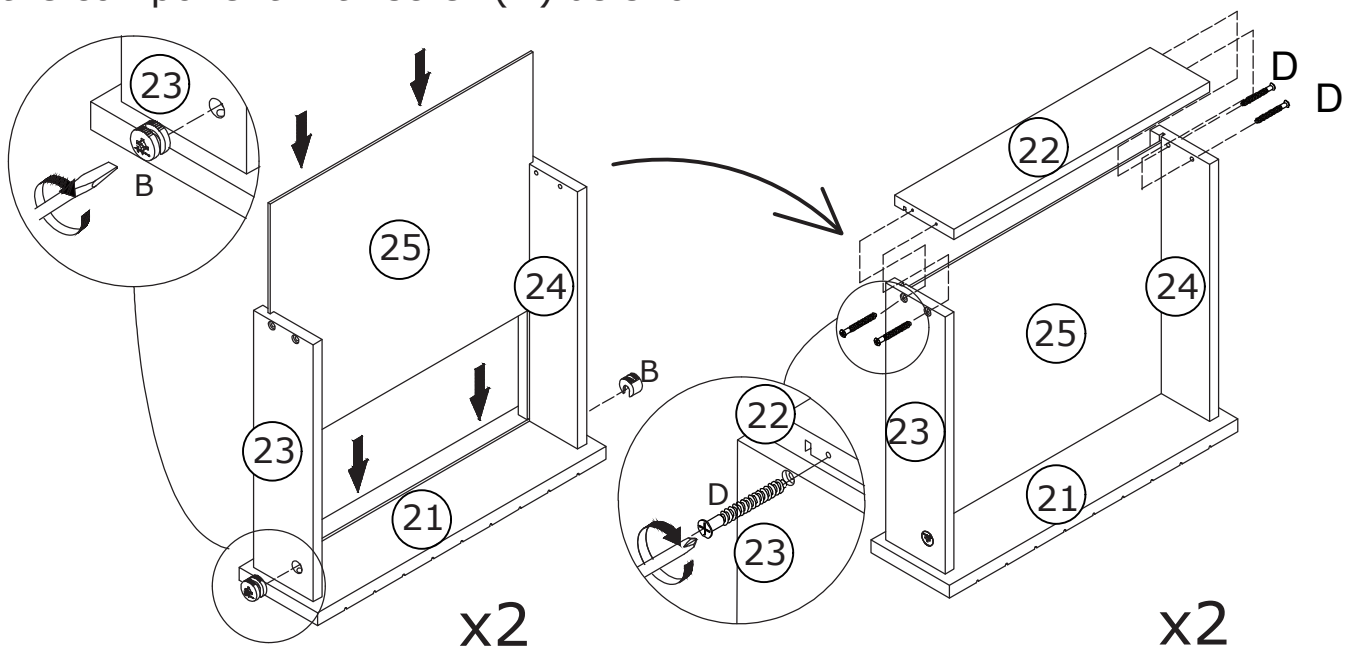
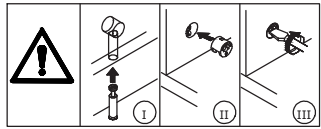
Insert quickfit screw(A) into board 21.
 Attach board 23 and 24 to board 21 with wooden dowel(C) as shown.



36



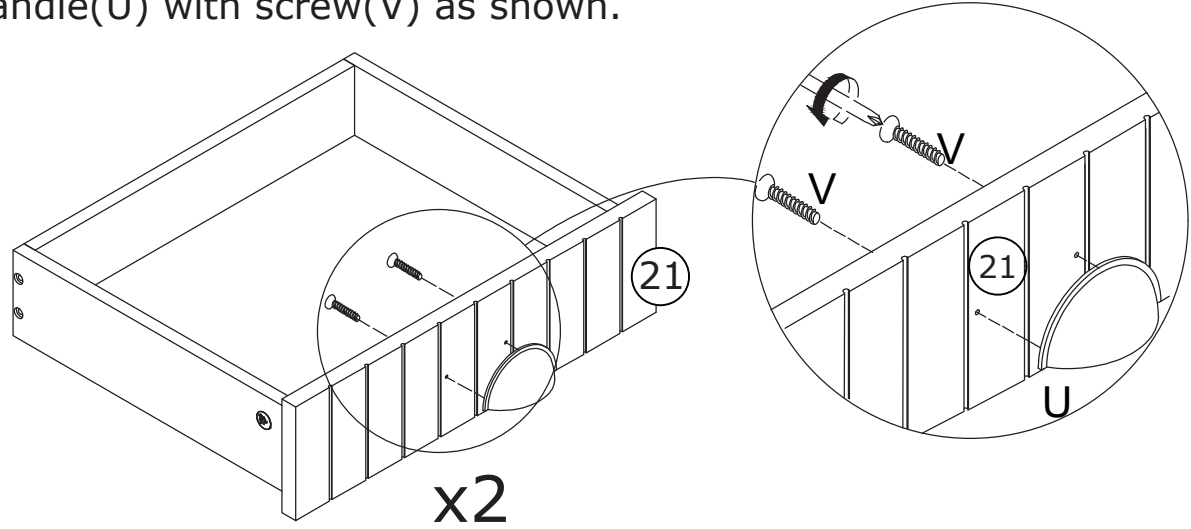
Add cam lock(B) into board 23 and 24, turn clockwise to tighten.
 Slide board 15 into available slots. Attach board 22 to the component with screw(D) as shown.




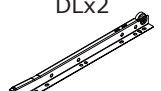

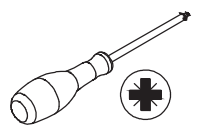
37

| | | |
|--|---|---|
| <p>Ux2</p>  | <p>Vx4</p>  <p>Ø4x18mm</p> |  |
|--|---|---|

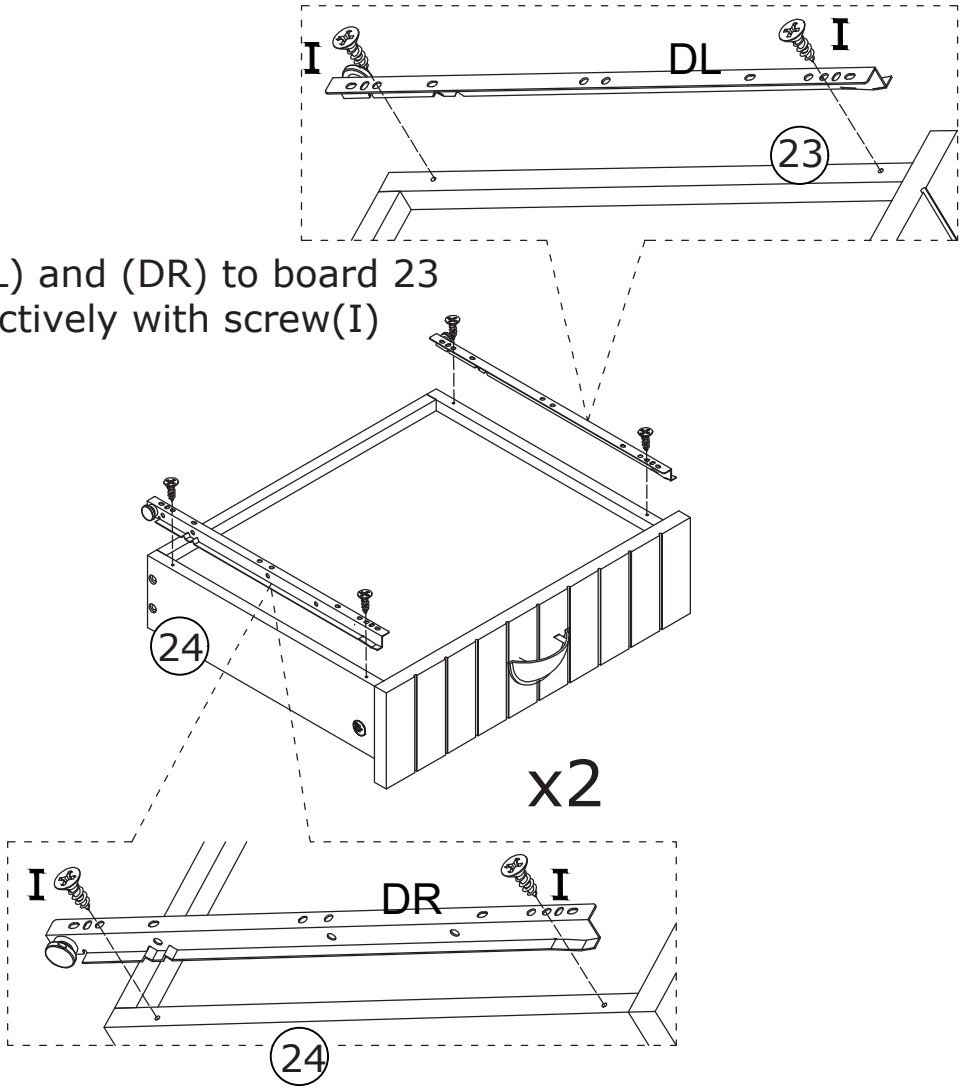
Fix handle(U) with screw(V) as shown.

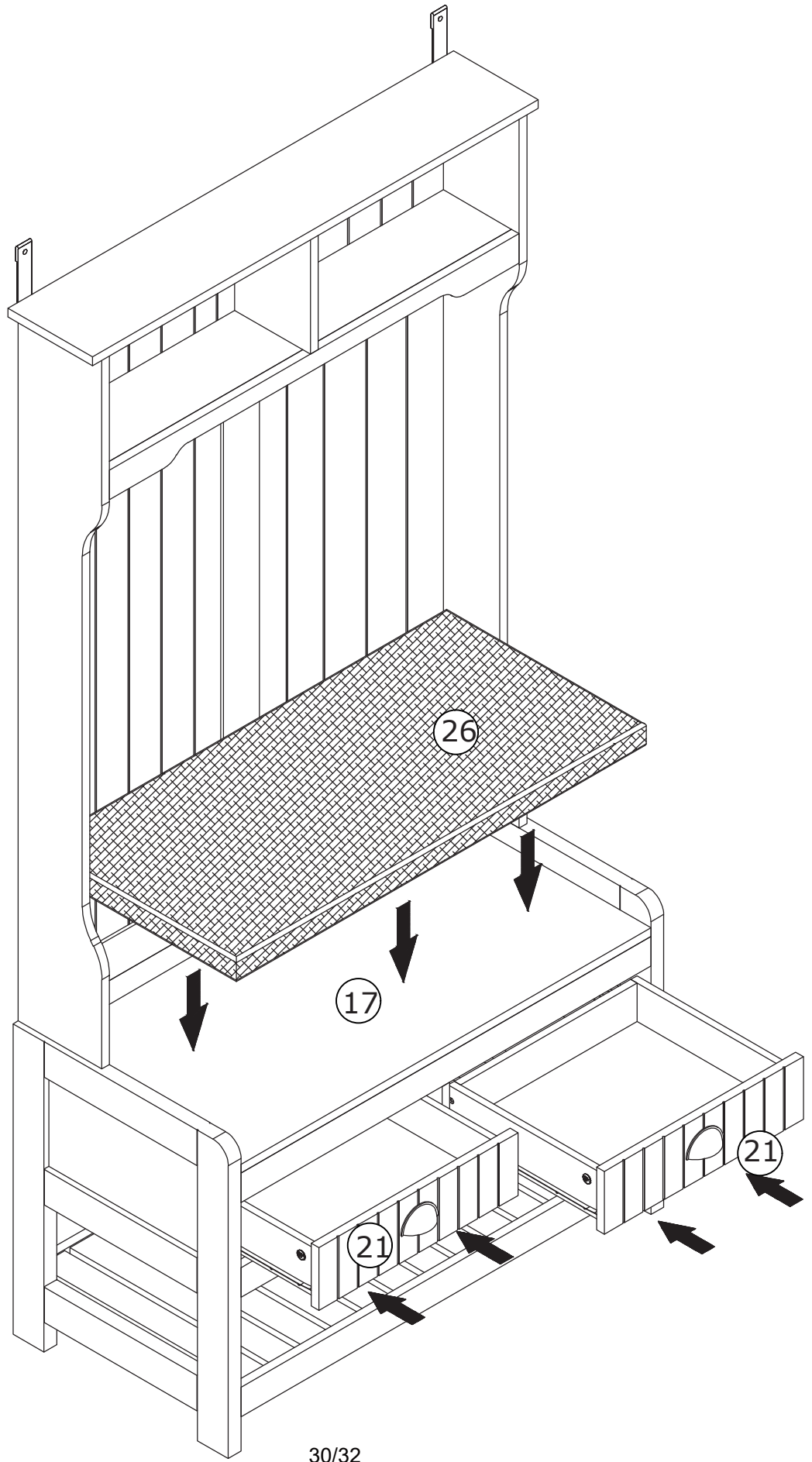


38

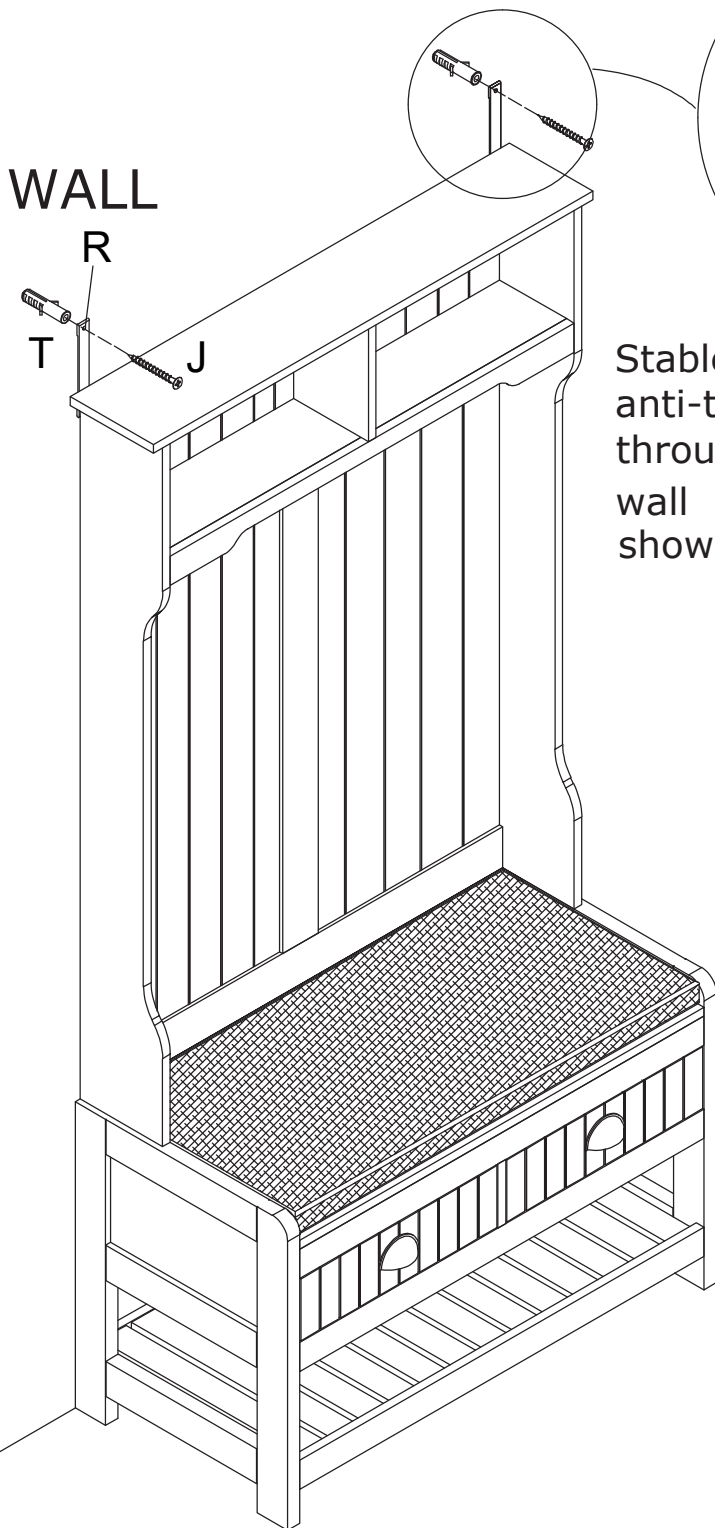
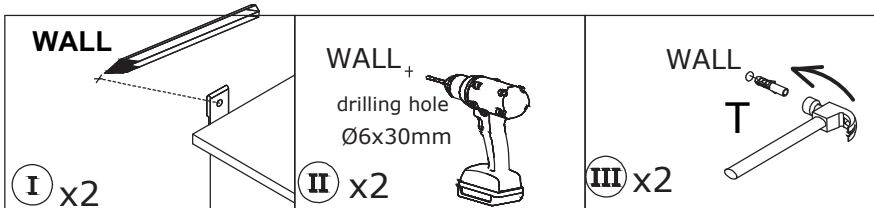
| | | | |
|---|---|---|--|
| <p>Ix8</p>  <p>Ø3.5x12mm</p> | <p>DLx2</p>  <p>L300mm</p> | <p>DRx2</p>  <p>L300mm</p> |  |
|---|---|---|--|

Fix runner(DL) and (DR) to board 23 and 24 respectively with screw(I) as shown.



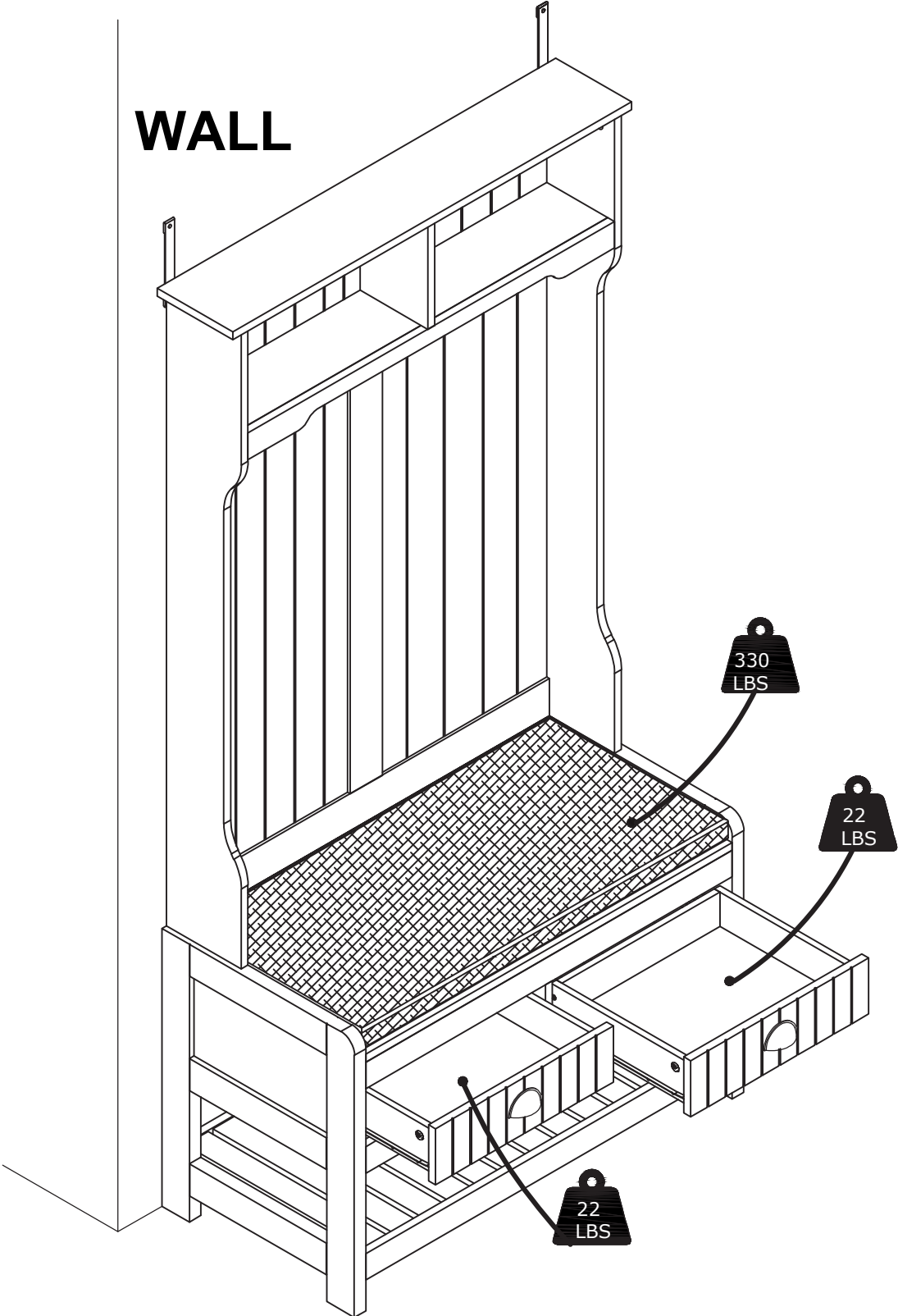


40



Stable the item by fixing anti-tipping device(R) through part(T) to your wall and screw(J) as shown.

WALL



WARRANTY

WARRANTY CLAIMS

- There is a 30-day warranty for broken furniture or any other problems that do not work properly. The warranty will start from the date of purchase which must be verified by proof of purchase.
- Before making a claim, we may be able to answer your query, simply call us. Please leave your purchase order number, along with some details of the problem, if you want a replacement part. We will arrange within 48 hours. If there is out of stock, we will reply with a shipping date.
- The product must be used in accordance with the instructions provided. For health reasons.
- For other reasons, if the furniture needs to be returned, it must be cleaned and dried and operated within 30 days of receipt.

Type of Warranty Claim

- Failure to follow the furniture instructions will invalidate the warranty. Attention please.
- Does not include damage during installation, but includes damage during transportation.

Scope of responsibility

- Shall not bear any responsibility for misuse or user damage and / or loss of parts during the installation of furniture.
- After using, the damage and scratches of the furniture are not covered by the warranty.

The Warranty Relates to All Bought in The Us and Covers The Following Areas

- Sheet parts: 1 month from the date of purchase.
- Electrical parts: 1 month from the date of purchase.

RETURNS

CHANGED YOUR MIND AND NEED TO RETURN YOU ITEM?

PLEASE FOLLOW THE BELOW INSTRUCTIONS:

- If you have purchased and have simply changed your mind, follow the retailer's instructions for returns.

DEFECTIVE ITEMS

- If your item is defective in any way, i.e. it doesn't work but you can't identify why, in the first instance, please call us.

DAMAGED ITEMS

- If you receive an order with obvious shipping damage from the retailer, then we suggest the delivery is refused. If the delivery has been accepted and then shipping damage is found, please follow the specific instructions advised by the retailer.
In all circumstances please save all packaging material and paperwork for the order. Please be aware that if you dispose of packaging material or attempt to return the merchandise without contacting the fulfiller, you jeopardise your chances of making a claim, and you may not receive a credit for the return.