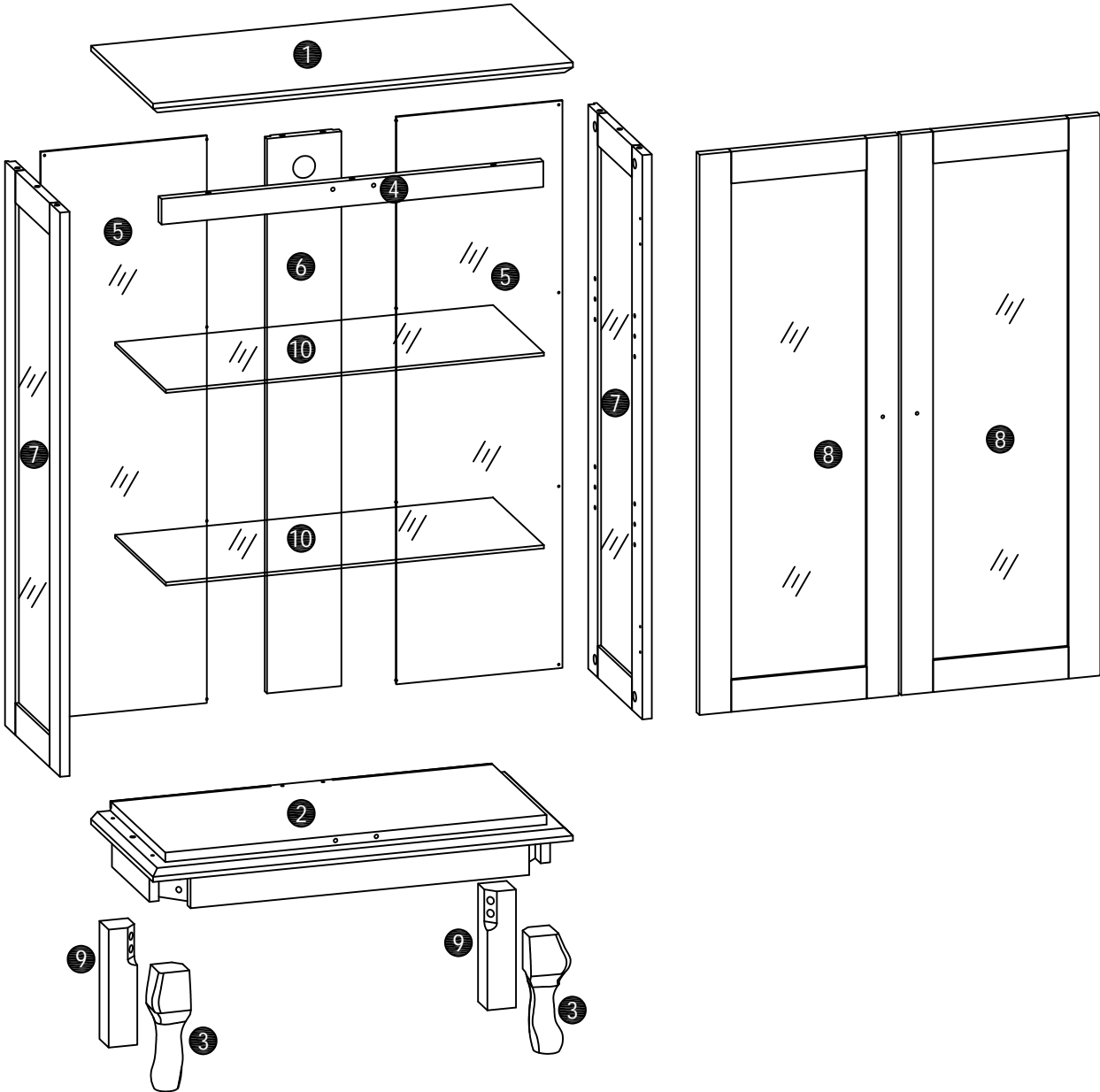


2 Doors Glass Cabinet

Assembly Instruction

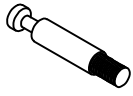


List of Parts



Hardware

A x 15+1



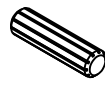
Ø6 x 34mm

B x 15+1



Ø15 x 10mm

C x 4+1



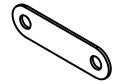
Ø8*30mm

D x 8+1



Ø3*12mm

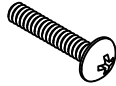
E x 4



F x 2



G x 2



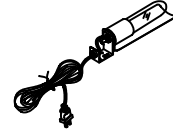
Ø4*22mm

H x 8+2



Ø20mm

I x 1



J x 4+1



M8*40mm

K x 8



L x 26+2

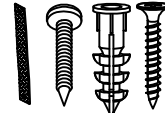


Ø3.5*12mm

M x 4



N x 2



O x 8+1



P x 8+1



Q x 24+2




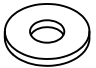


Ø3.5*12mm

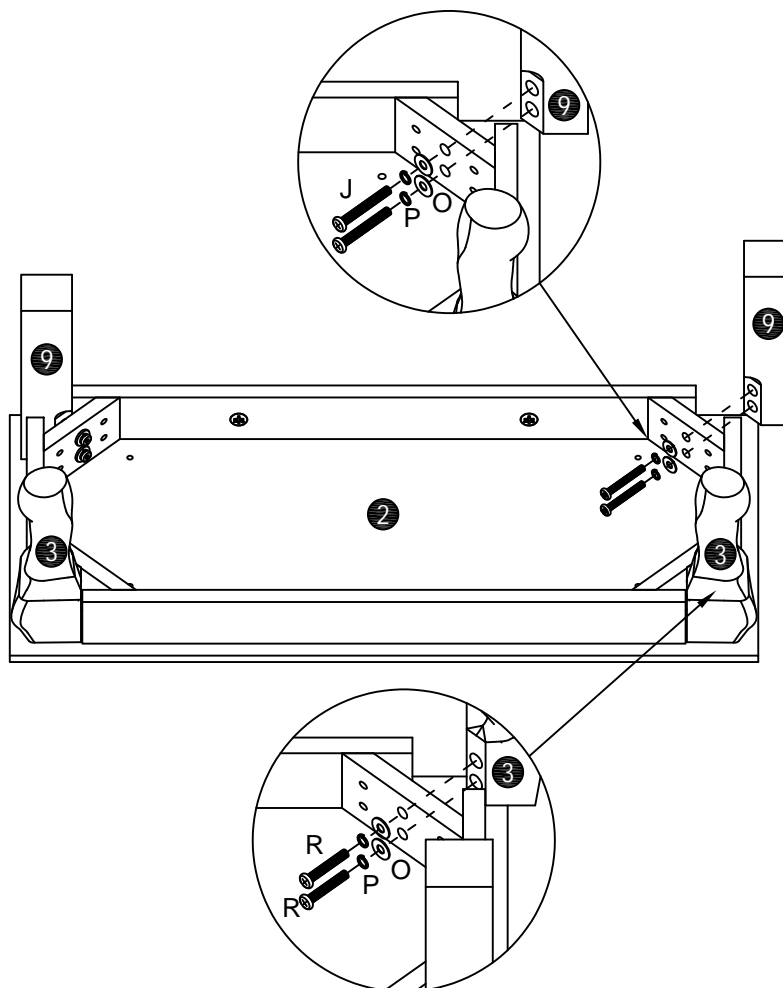
R x 4+1




M8*35mm

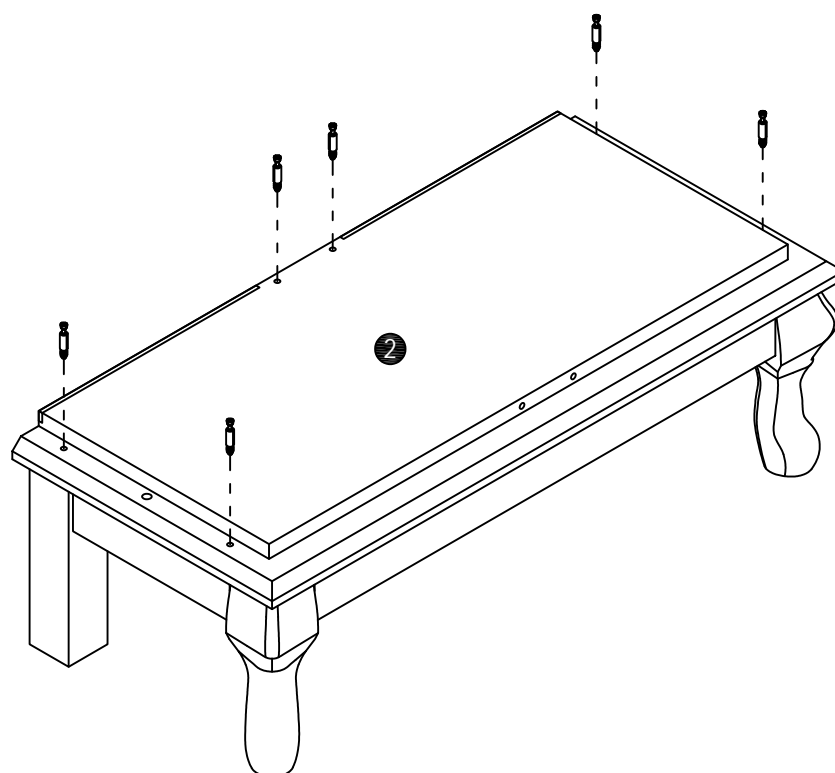
STEP1

J x 4

Ø8*40mm
O x 8

P x 8

R x 4

M8*35mm



STEP2

A x 6

Ø6 x 34mm



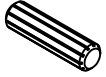
STEP3

B x 6

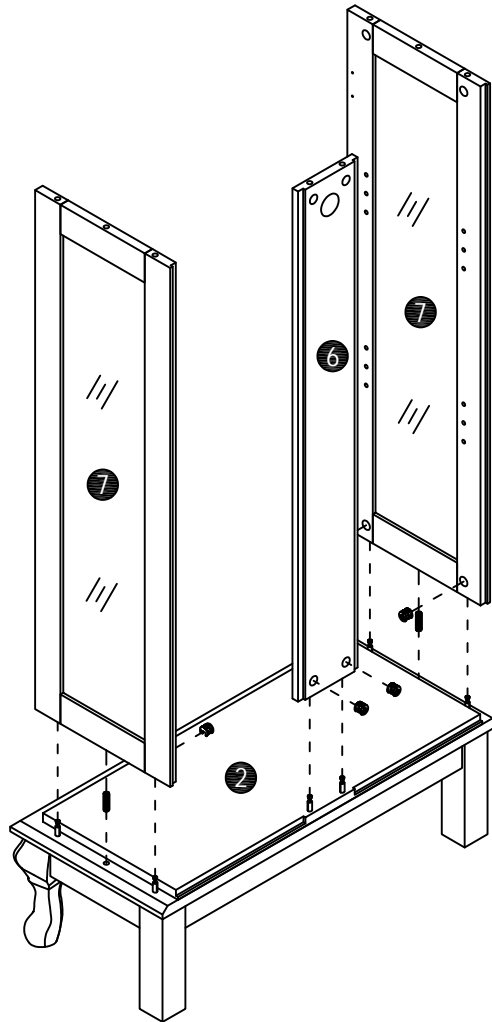


Ø15 x 10mm

C x 2

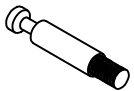


Ø8*30mm



STEP4

A x 9



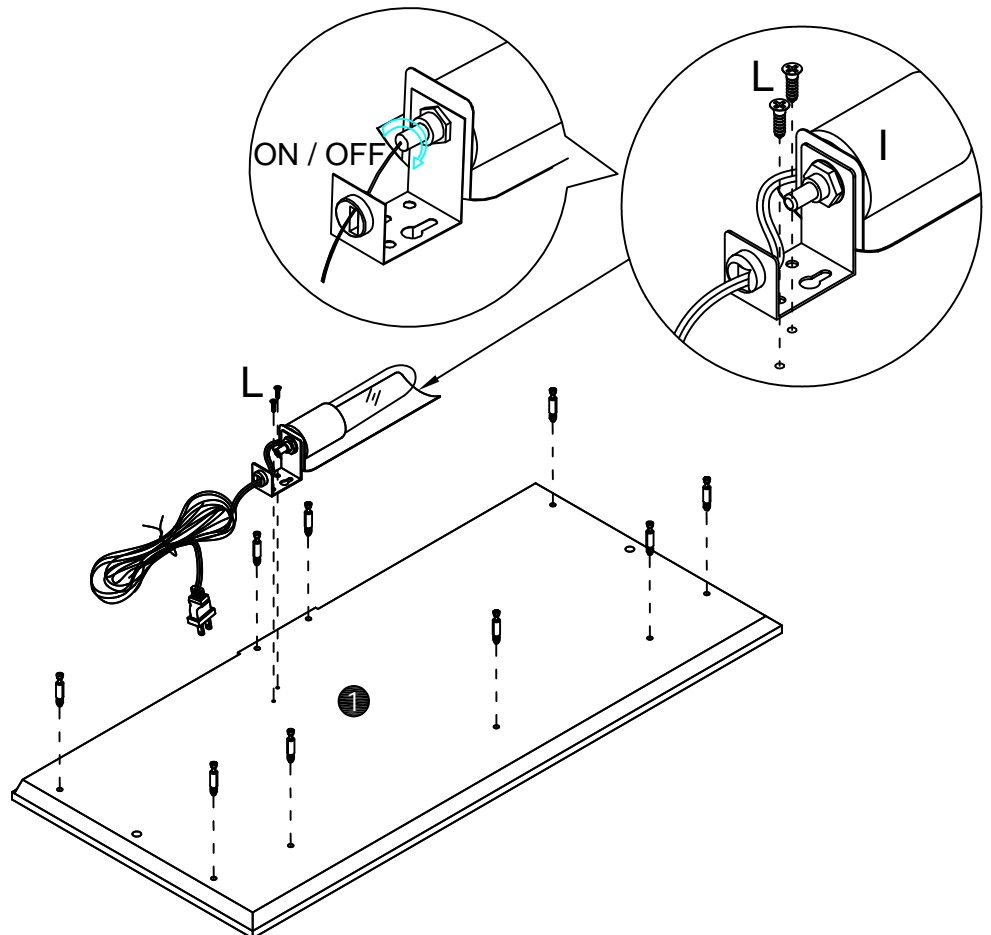
Ø6 x 34mm

L x 2



Ø3.5*12mm

l x 1

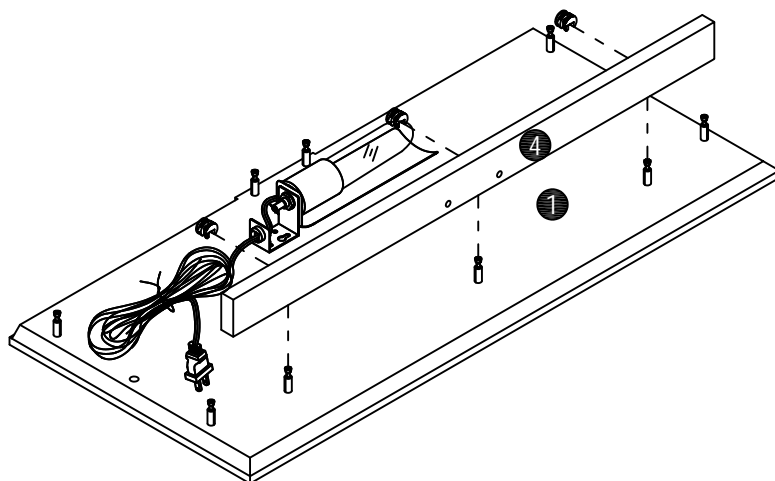


STEP5

B x 3



Ø15 x 10mm



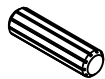
STEP6

B x 6

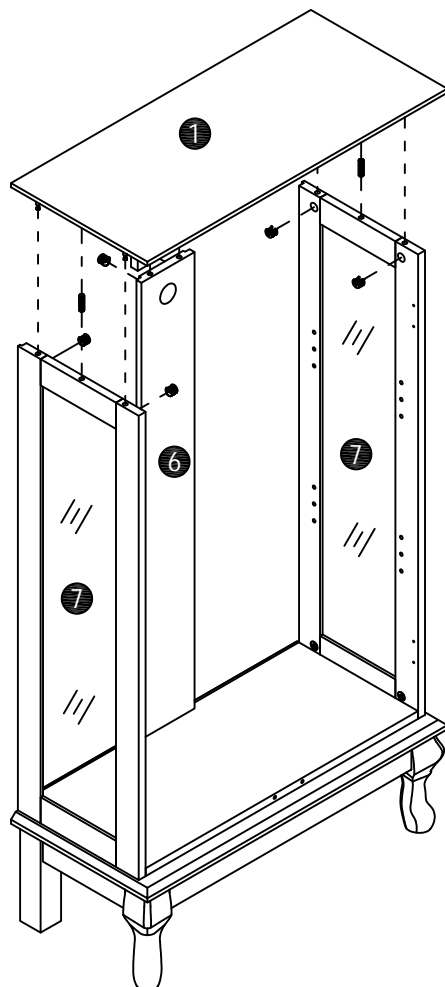


Ø15 x 10mm

C x 2



Ø8*30mm

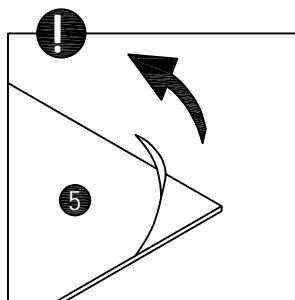


STEP7

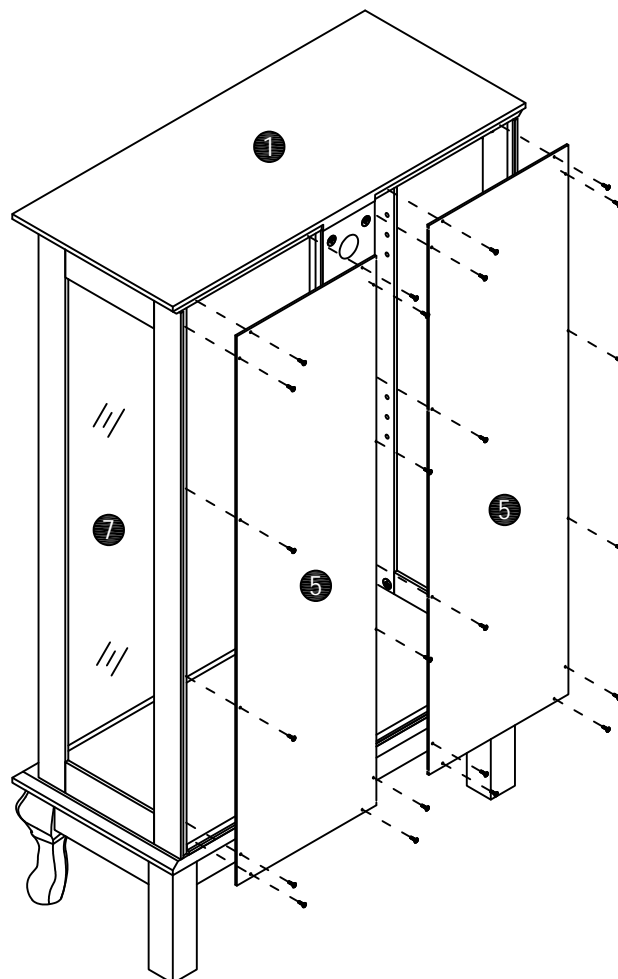
Q x 24



Ø3.5*12mm



Remove protective film
on the mirror panel.

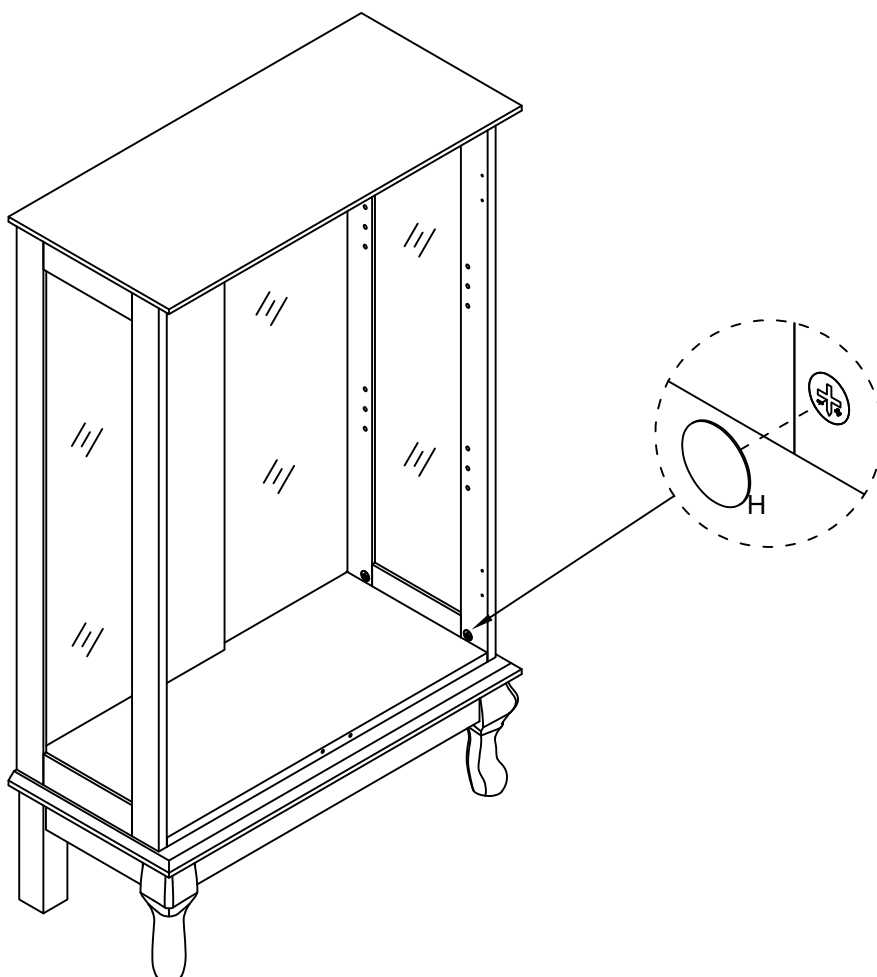


STEP8

H x 10



Ø20mm



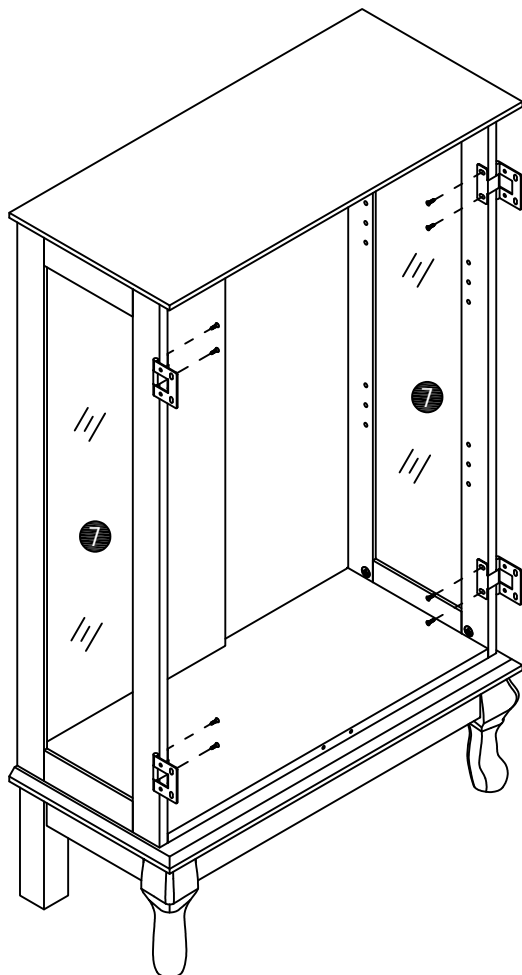
STEP9

L x 8



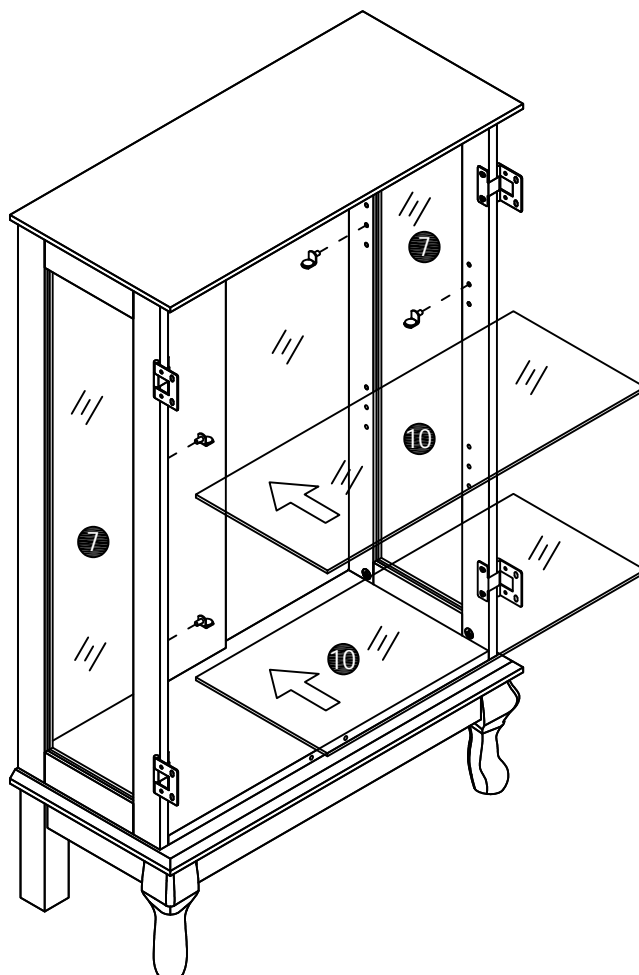
Ø3.5*12mm

M x 4



STEP10

K x 8



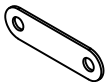
STEP11

D x 8



Ø3*12mm

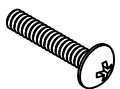
E x 4



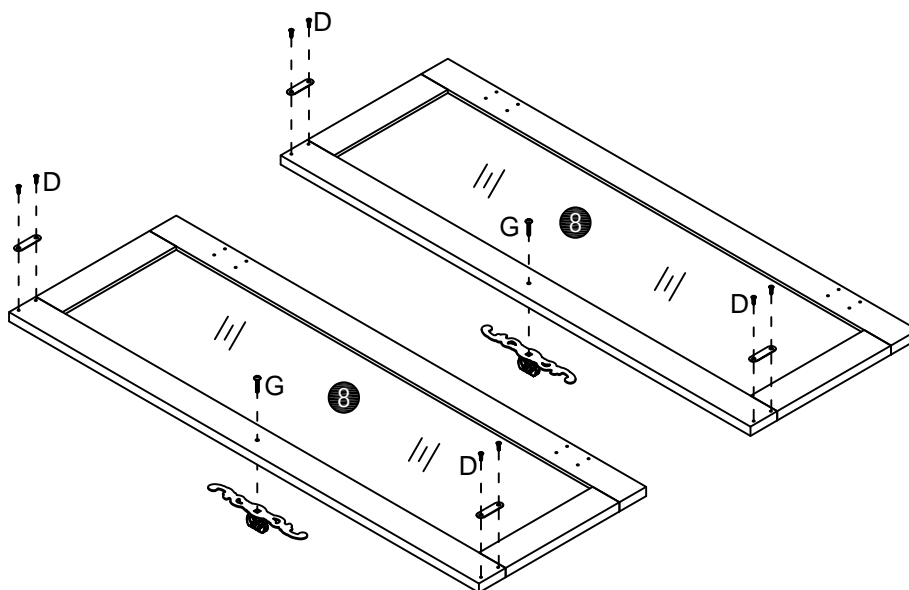
F x 2



G x 2



Ø4*22mm

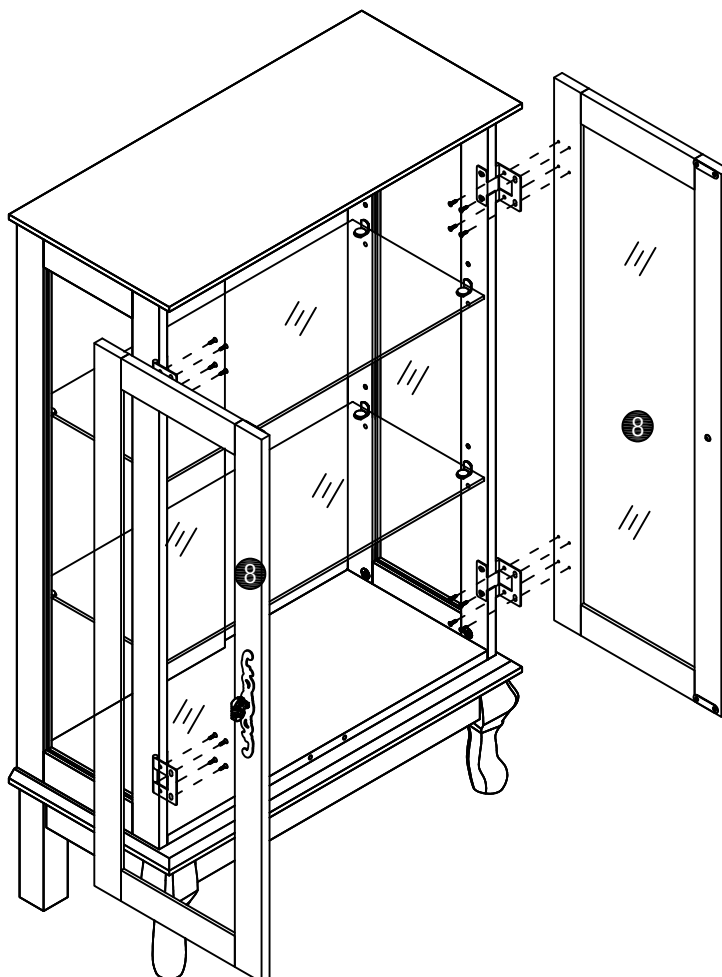


STEP12

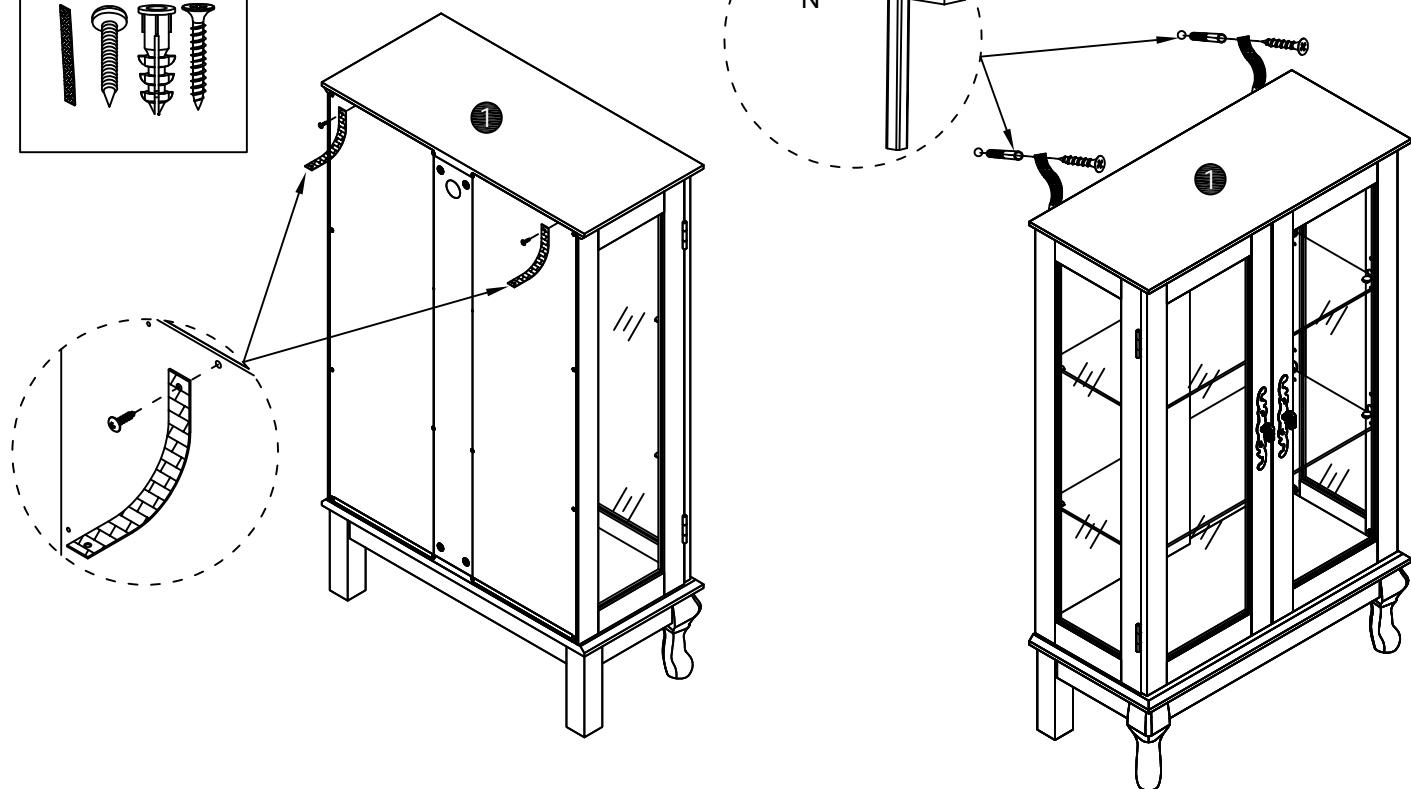
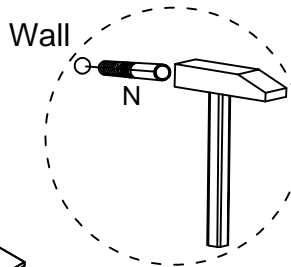
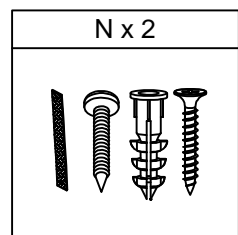
L x 16



Ø3.5*12mm



STEP13



STEP14

