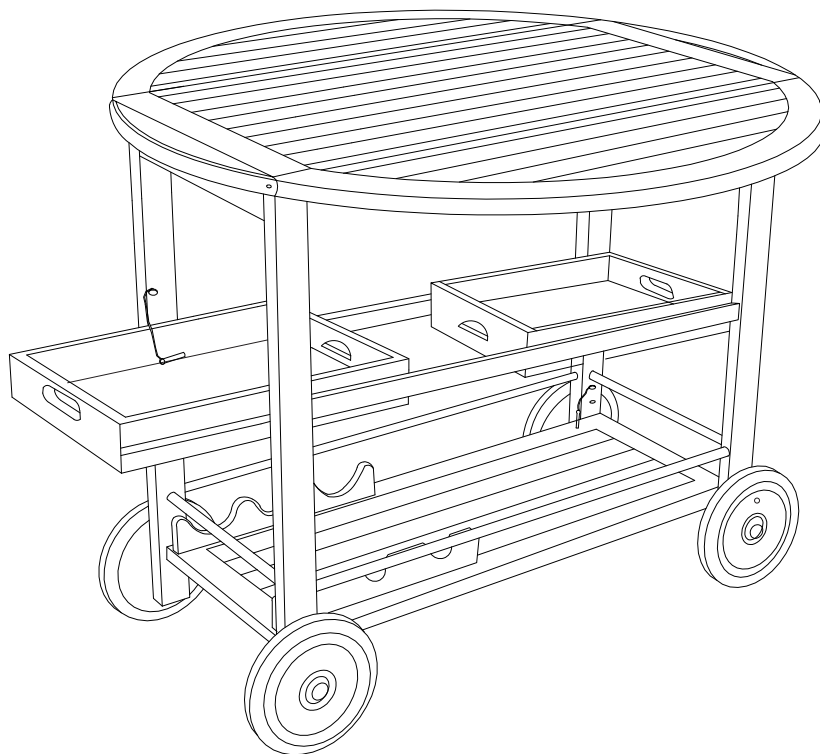


Assembly Instructions

BARCART

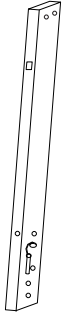


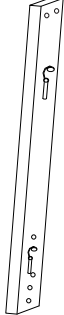
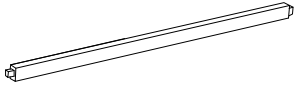
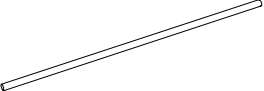
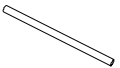
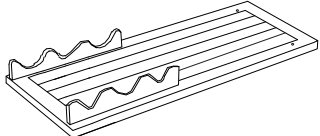
CAUTION: You must read this before you proceed.

Please look in the Tray for hardware packs

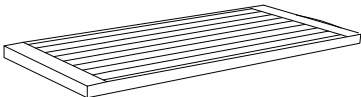




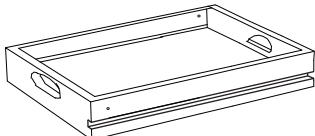



CAUTION: This BarCart is NOT a TOY. Keep your child / children at bay in the process of assembly.
For turning/ flipping the Barcart and to prevent damage to the Barcart, 02 persons may be needed to execute this action.

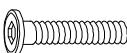
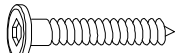

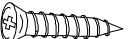
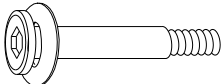


Parts List

No.	Picture	Description	Qty
A		Leg (labelled A)	1
B		Leg (labelled B)	1
C		Leg (labelled C)	1
D		Leg (labelled D)	1
E		Bar	2
F		Long cross Bar	2
G		Short cross Bar	2
H		Bottom Shelf	1




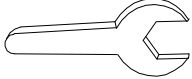
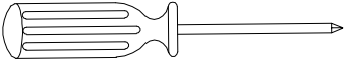
Parts List

No.	Picture	Description	Qty
I		Top Panel (with wood support bar)	1
J1		Leaf	1
J2		Leaf	1
K		wheel	2
L		Locked wheel	2
M		Tray	2
N		Handle	2

Hardware

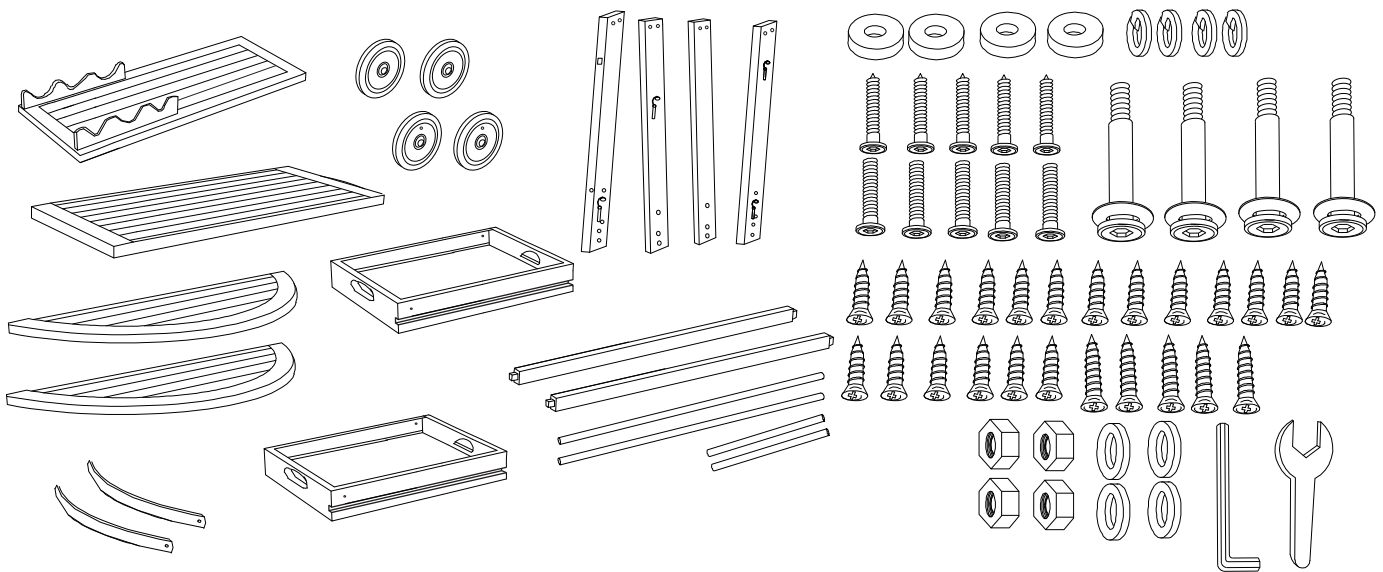
No.	Picture	Description	Qty
①		Bolts (M6 x 35mm)	5
②		Screw (M6 x 50mm)	5
③		Short Screw(using with Screwdriver) (M4 x 20mm)	19
④		Long Screw(using with Screwdriver) (M4 x 30mm)	5
⑤		Wheel Bolt (M8 x 70mm)	4
⑥		Washer (M8.5/30 x 5mm)	4
⑦		Washer (M8/18x2mm)	4

Hardware

⑧		Spring Washer	4
⑨		Nut	4
⑩		Allen key	1
⑪		Spanner Wrench 13	1
⑫		Screwdriver	No provided

Assembly Preparation

Before Beginning Assembly:



Read instructions, cover to cover.



Have 2 adults on hand for assembly.



Do not assemble on flooring or carpet.



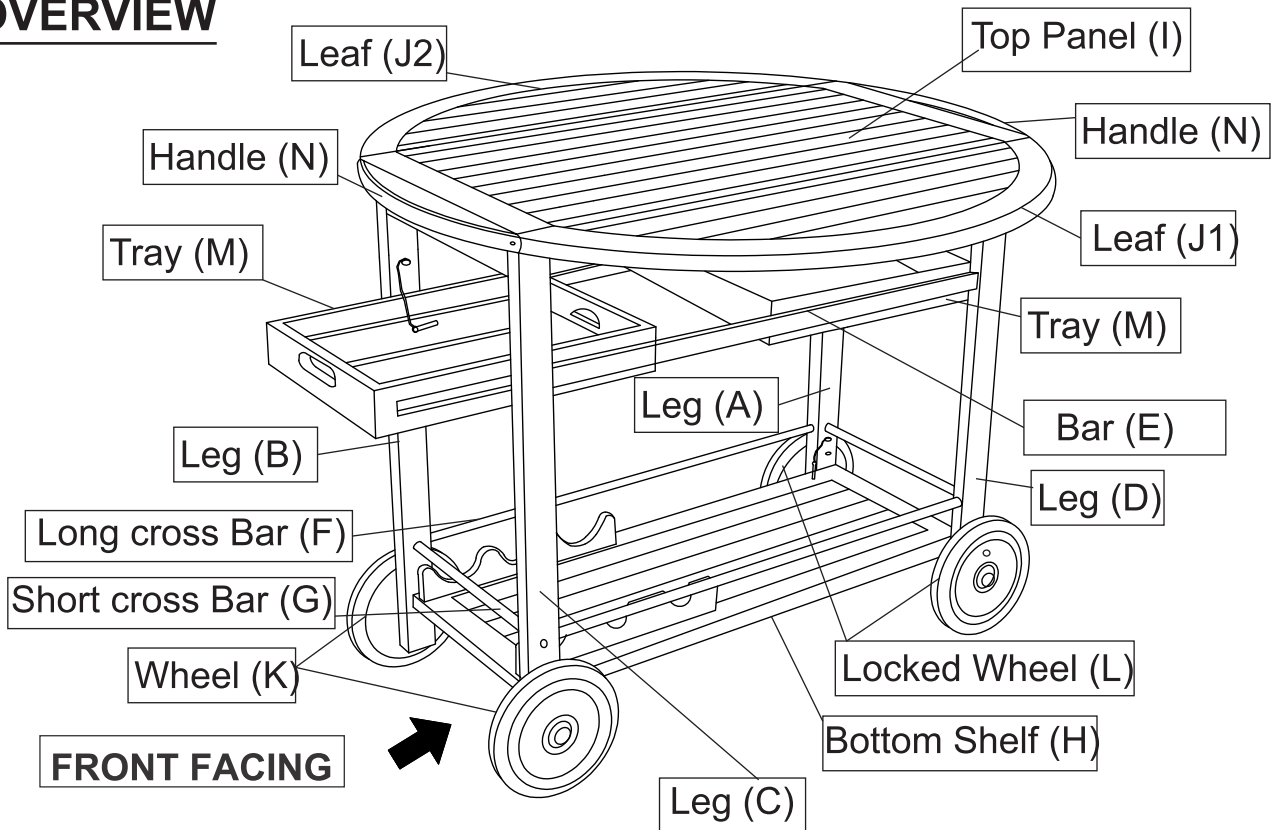
Assemble on a clean non-marring surface (packing foam).



Save all packaging until finished.

Assembly Steps

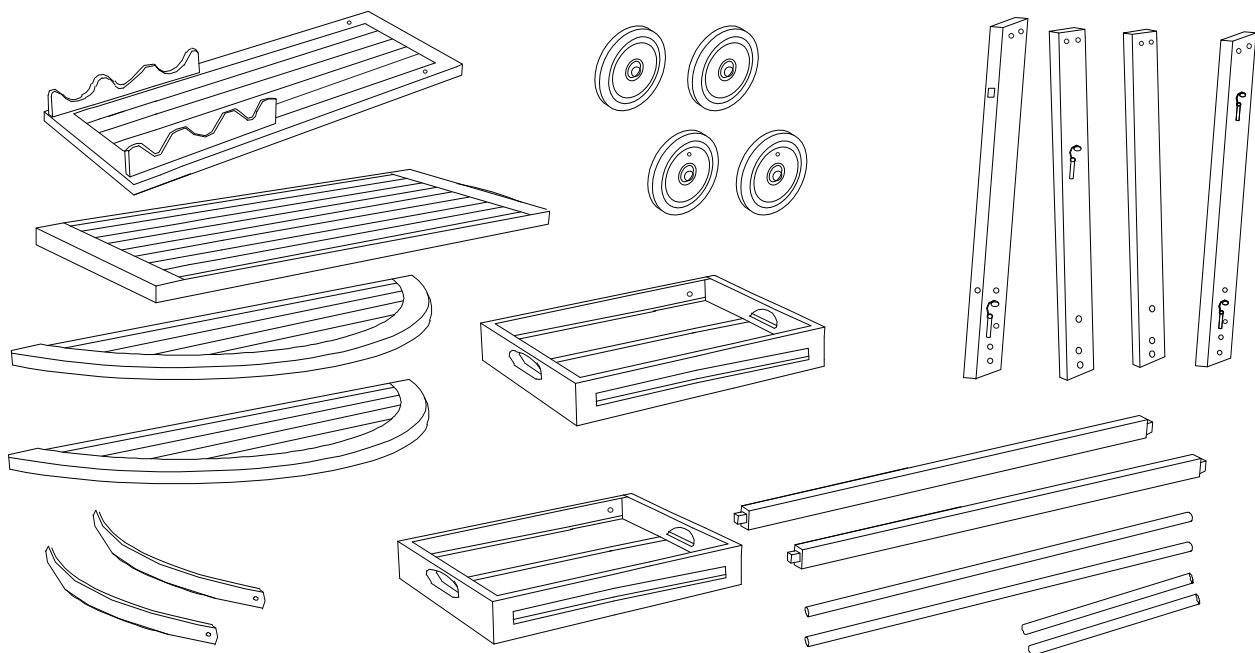
OVERVIEW



This Barcart has multiple parts and may require up to some 30 minutes to assemble. To give you an overview of the Barcart, the above picture is to help you put the various parts into perspective. Please read through the instructions here below to familiarise the parts and steps before assembly.

Assembly Steps

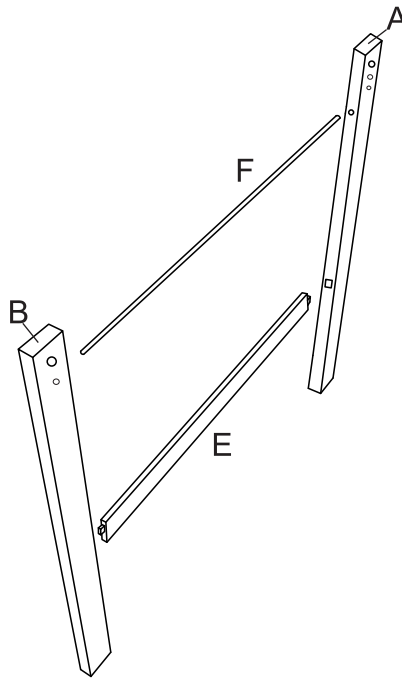
Step 1



Unpack and place all parts on a clean, non-marring surface.

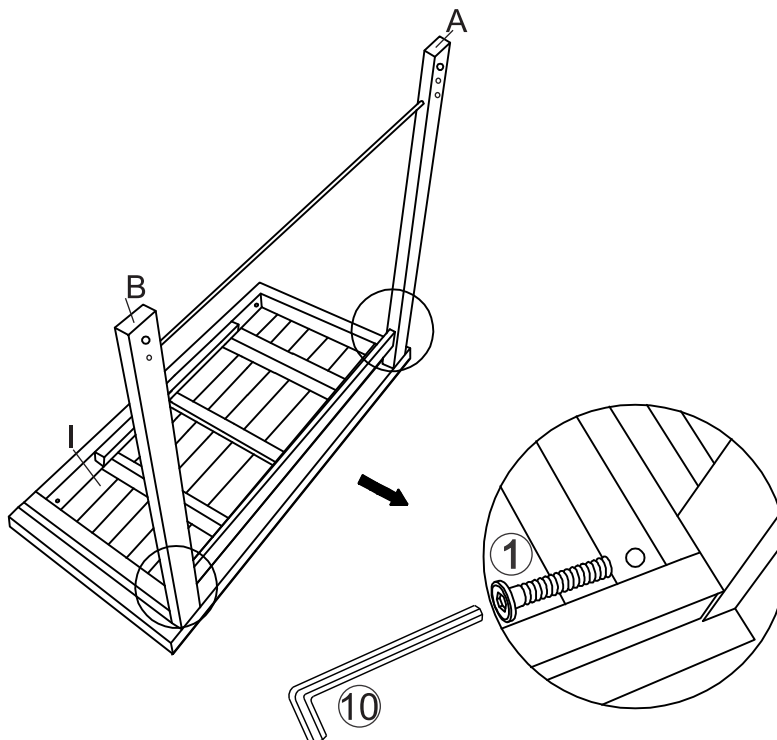
Assembly Steps

Step 2



With assistance from your adult partners, attach the Bar (E) and Long Cross Bar (F) to the housings of Leg (A) and Leg (B) as shown in picture above . Repeat this process for other Leg (C) and Leg (D).

Step 3

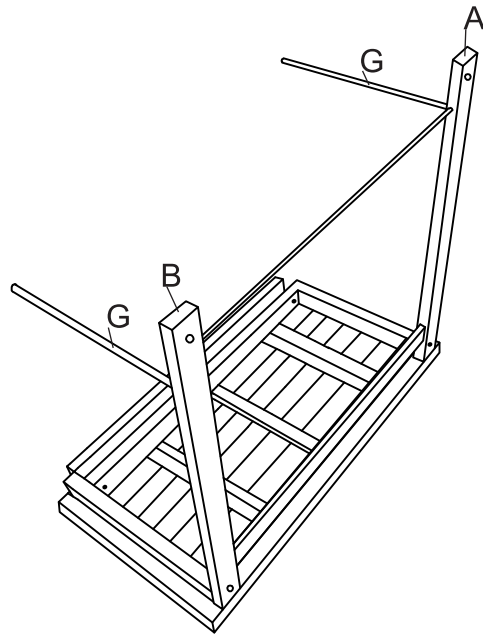


Position the assembly on step 2 into Top Panel (I) as shown in picture above. Secure the Leg (A) and Leg (B) to the Top Panel (I) by using Bolt (①) and Allen Key (⑩).

Do not fully tighten the Bolts.

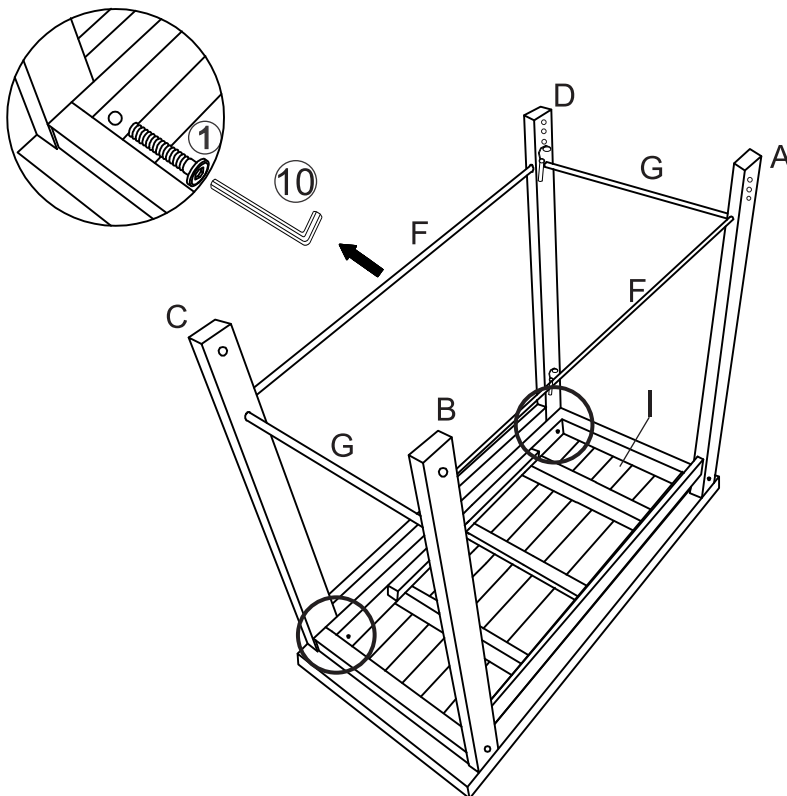
Assembly Steps

Step 4



With assistance from your adult partners, position Short Cross Bar (G) in to the housings of Leg (A) and Leg (B) as shown in picture above.

Step 5

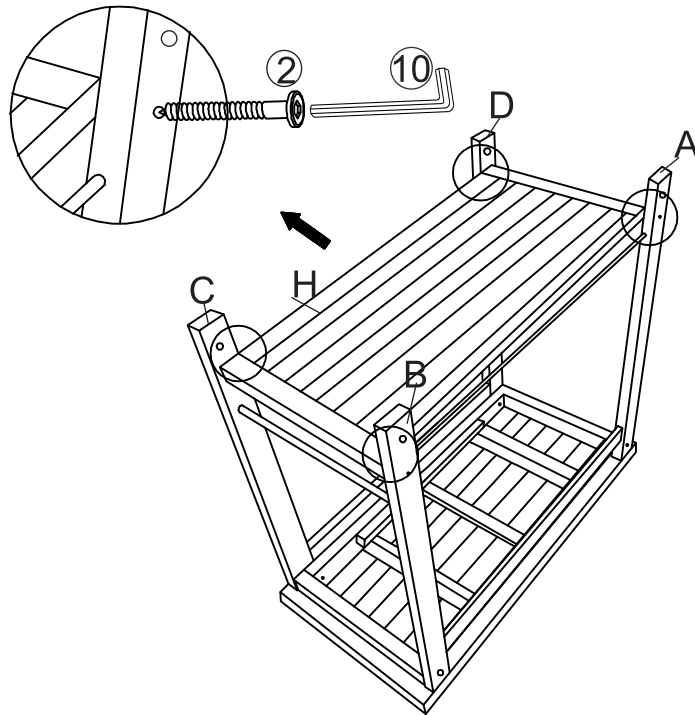


Repeat the same process same on step 3 for Leg (C) and Leg (D) as shown in picture above. Secure Leg (D) and Leg (C) onto the Top Panel (I) by using Bolt (①) and Allen Key (⑩).

Do not fully tighten the Bolts

Assembly Steps

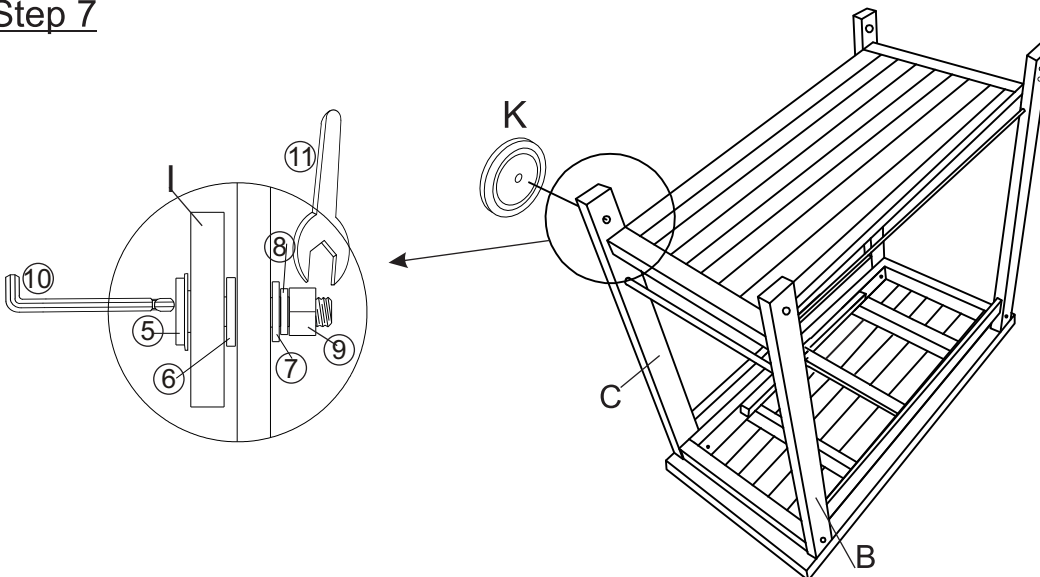
Step 6



Position Bottom Shelf (H) into the Leg (A) and Leg (B) as shown in picture above. Secure the Bottom Shelf (H) to the Leg (A) and Leg (B) and by using Screw (2) and Allen Key (10).

Do not fully tighten the Screws

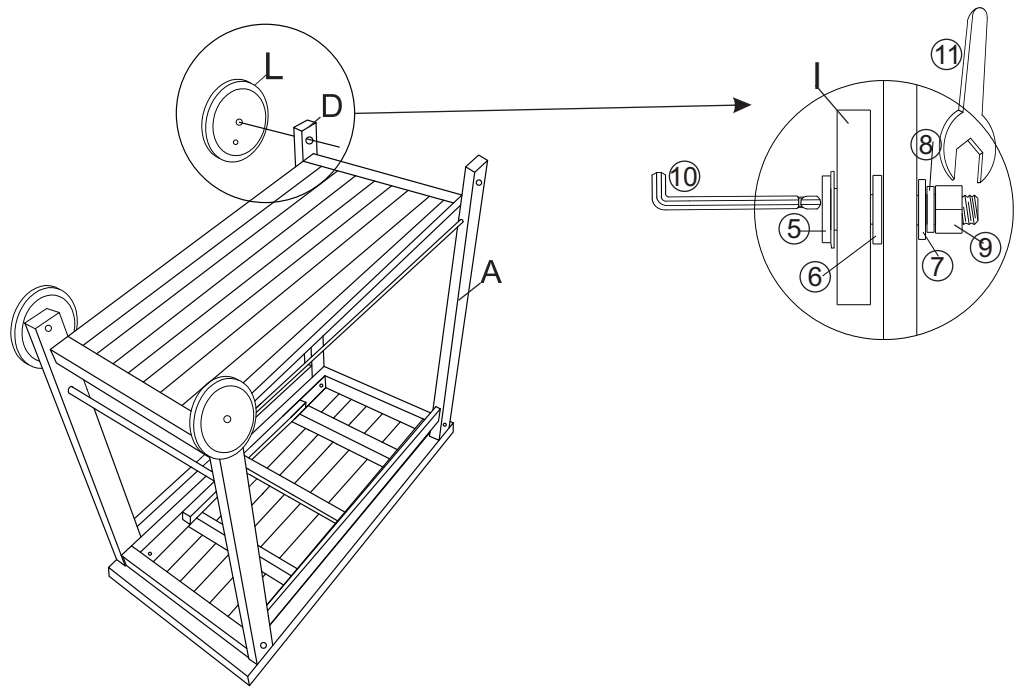
Step 7



Position the Wheel (K) onto the Leg (B) and Leg (C) as shown in picture above. Secure the Wheel (K) to Leg (A) and Leg (B) by using the Wheel Bolt (5) Washer (6), Washer (7), Spring Washer (8), Nut (9) and Spanner Wrench (11)

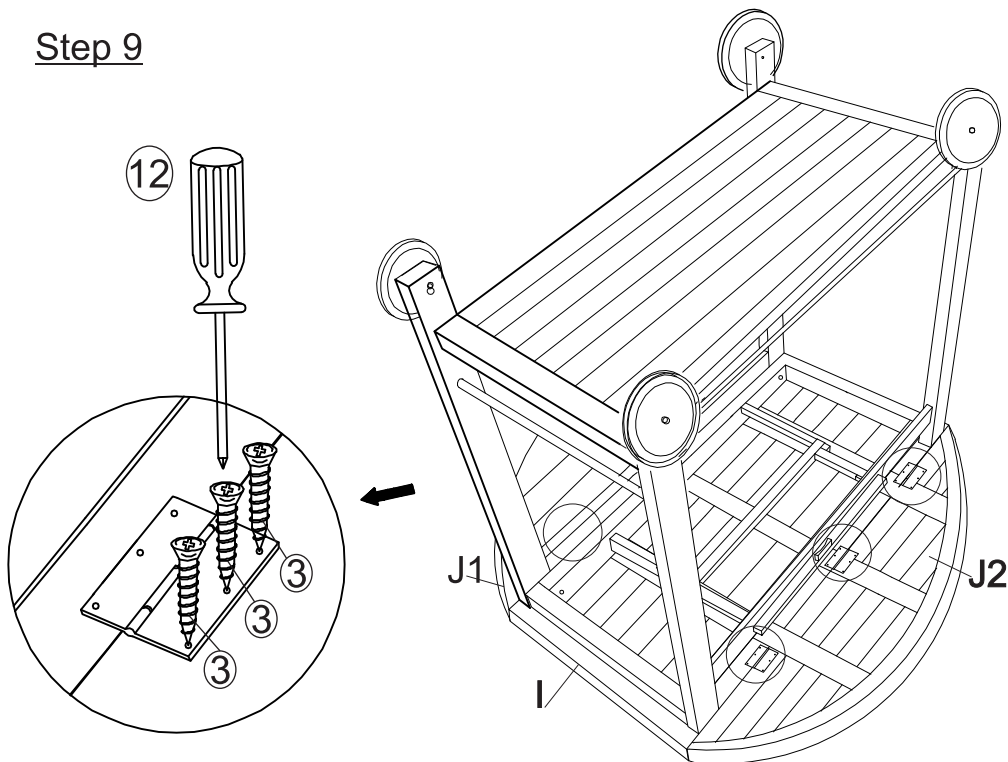
Assembly Steps

Step 8



Repeat the same process on step 7 for other Locked Wheel (L).

Step 9

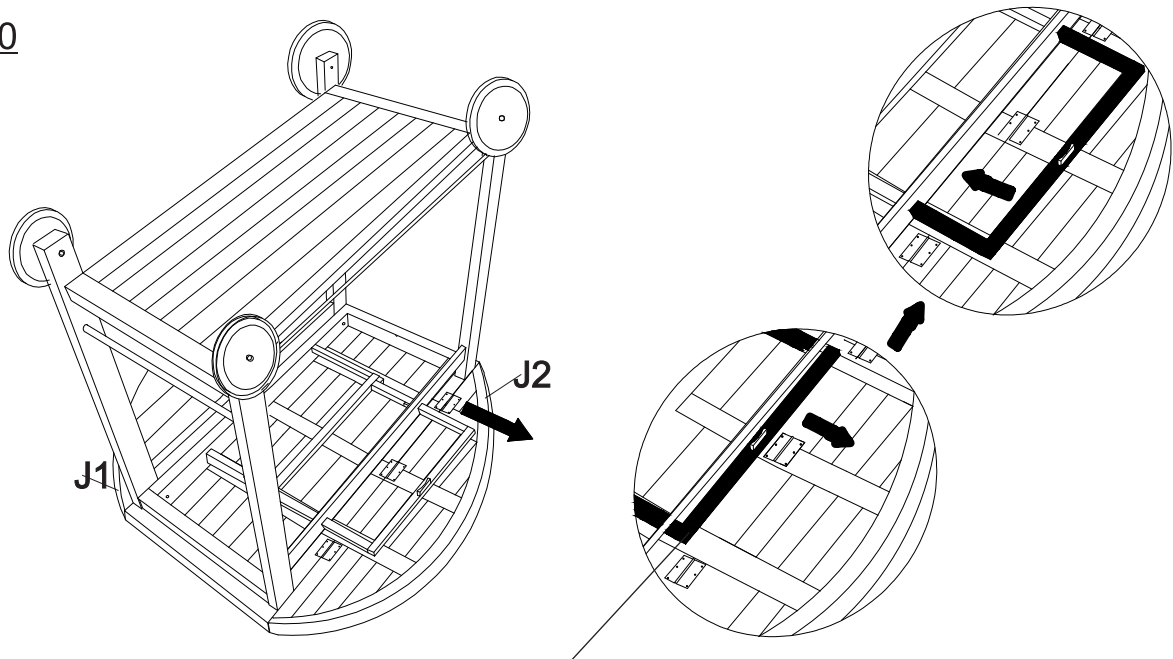


Secure the Leaf (J1)(J2) to Top Panel (I) by using Short Screw (3) and Screwdriver (12) .as shown in picture above.

Do not fully tighten the Screws.

Assembly Steps

Step 10

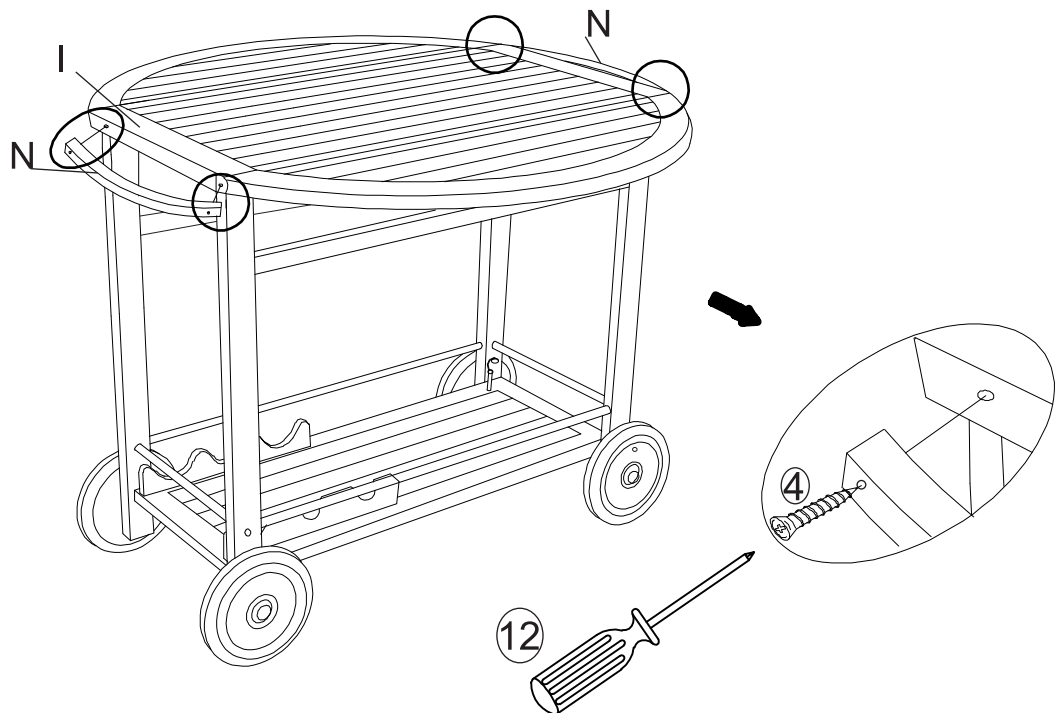


Pulling out the leaf wooden glide as shown picture.

To Open: Raise up Leaf (J1) (J2) and pull the wooden glide out as shown in picture to keep the Leaf (J1) (J2), by hand

To Close: Pushing the Leaf (J1) (J2) wooden glide in and fold the Leaf (J1) (j2), by hand. Repeat the same process on the other side

Step 11



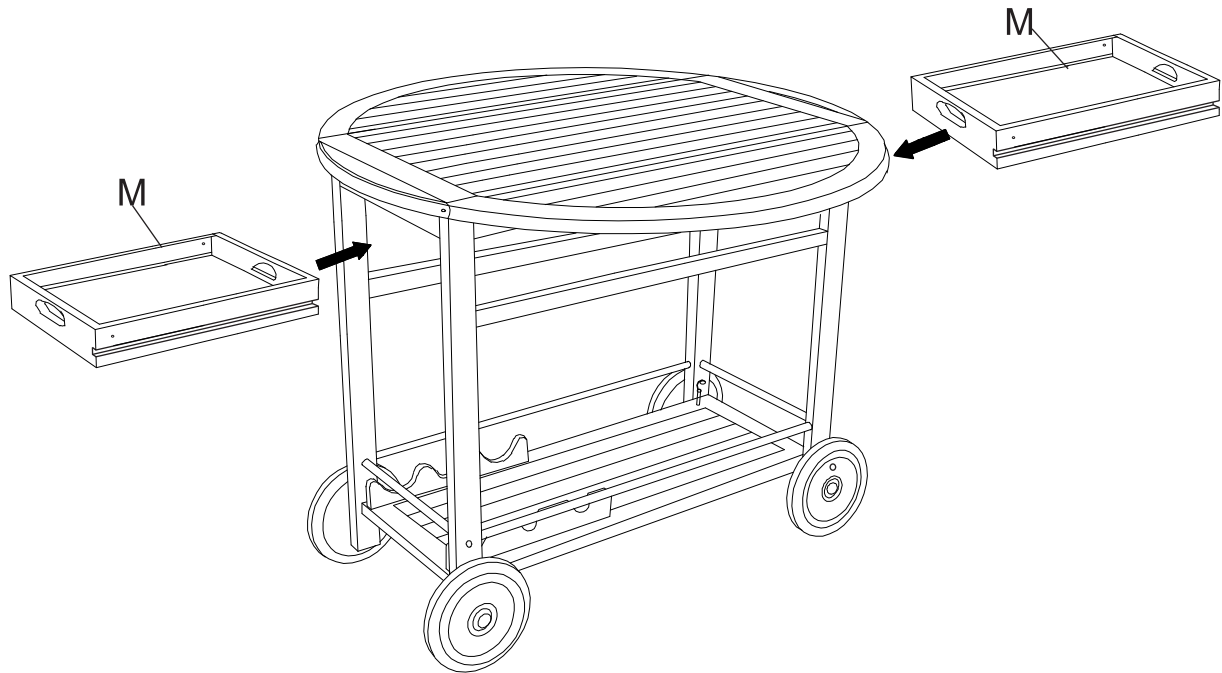
Secure Handle (N) and Top Panel (I) by using Screw (4) and Screwdriver (12).

As show in picture above.

Do not fully tighten the Screw.

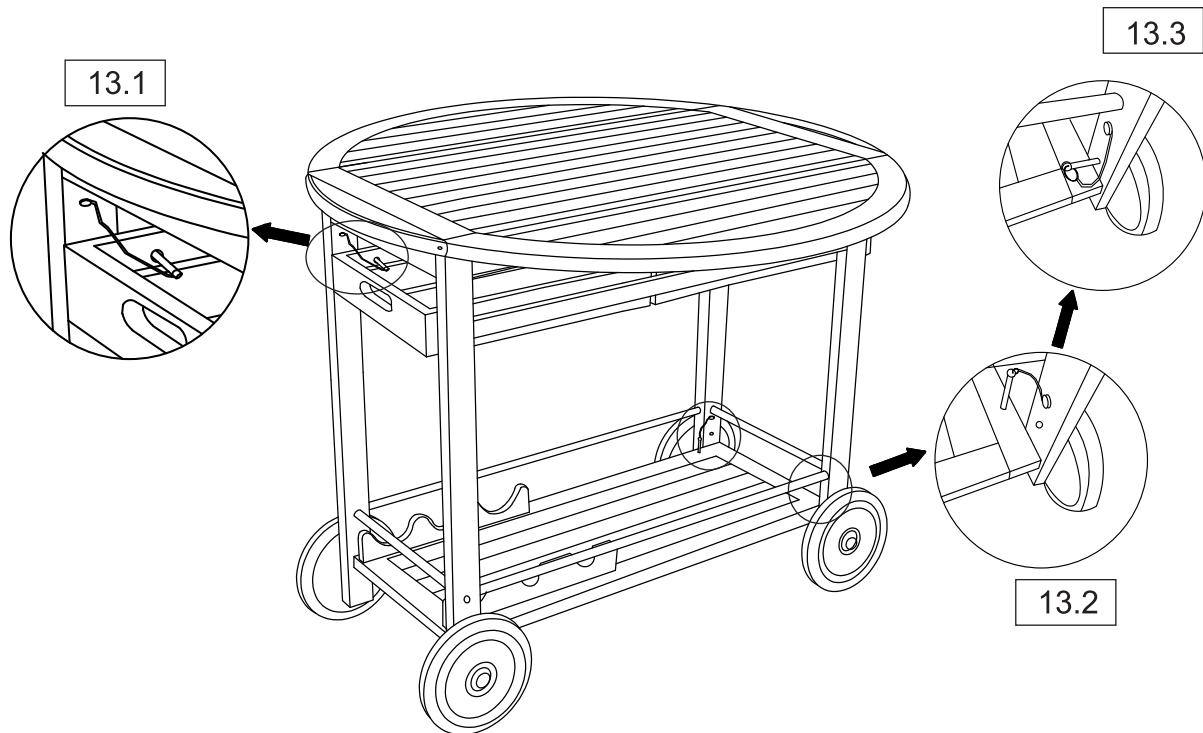
Assembly Steps

Step 12



Push in the Tray (M) onto the assembly on step 9 as shown picture above.

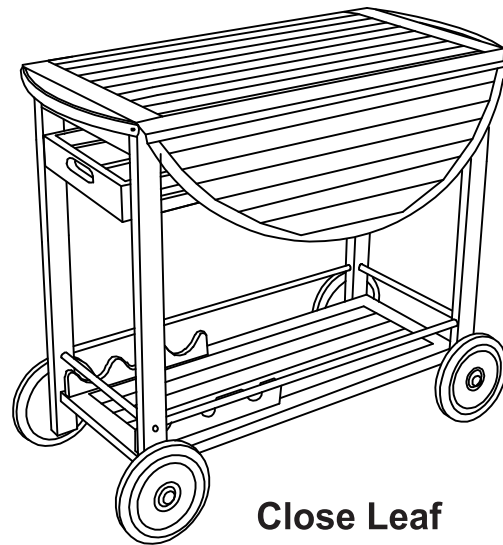
Step 13



- 13.1)** Lock two Trays (M) when pushing the barcart as shown in picture above.
- 13.2)** The safe lock will be as picture shows above when pushing the Barcart
- 13.3)** Lock the Wheel when stopping the Barcart

Assembly Steps

Step 14



With assistance from your adult partners, turn Barcart back to normal flat ground EXERT pressure, floorwards, onto the Barcart.

Check for wobbles.












In a sequential manner, gradually tighten all Screws and Bolts until evenly secured. Inspect the Barcart and make sure all parts are adequately connected.

In case of closing the Leaf (J1) (J2), please follow step 10

Your Barcart is ready for use.

This Barcart can only be used on flat, level surface.

Care & Maintenance

- ✓  ● Furniture may scratch floors. We recommend using furniture pads to protect your floors.
 - ⊘  ● Do not put hot items directly on furniture surface.
 - ⊘  ● Do not clean furniture with harsh cleansers or polish.
 - ⊘  ● Do not place furniture under direct sunlight.
 - ⊘  ● Do not place furniture near heating or cooling vents.
 - ⊘  ● Do not write on furniture without a padded barrier to protect the surface.
 - ⊘  ● Do not place furniture outside . For indoor use only.
 - ⊘  ● Not for commercial use. For residential use only.
 - ⊘  ● Stains may be removed with mild soap solution and damp cloth.
 - ⊘  ● Children should not climb or jump on the furniture.
-
- ✓  ● Dust and pick-up spills using a clean, non-colored, lint-free cloth.

Questions & Answers about Proposition 65

- What is Proposition 65?

Proposition 65 requires businesses to provide warnings to Californians about significant exposures to chemicals that cause cancer, birth defects or other reproductive harm. These chemicals can be in the products that Californians purchase, in their homes or workplaces, or that are released into the environment. By requiring that this information be provided, Proposition 65 enables Californians to make informed decisions about their exposures to these chemicals.

Proposition 65 also prohibits California businesses from knowingly discharging significant amounts of listed chemicals into sources of drinking water.

Proposition 65 requires California to publish a list of chemicals known to cause cancer, birth defects or other reproductive harm. This list, which must be updated at least once a year, has grown to include approximately 900 chemicals since it was first published in 1987.

- What types of chemicals are on the Proposition 65 list?

The list contains a wide range of naturally occurring and synthetic chemicals that include additives or ingredients in pesticides, common household products, food, drugs, dyes, or solvents. Listed chemicals may also be used in manufacturing and construction, or they may be byproducts of chemical processes, such as motor vehicle exhaust.

- What does a warning mean?

If a warning is placed on a product label or posted or distributed at a workplace, a business, or in rental housing, the business issuing the warning is aware or believes that it is exposing individuals to one or more listed chemicals.

By law, a warning must be given for listed chemicals unless the exposure is low enough to pose no significant risk of cancer or is significantly below levels observed to cause birth defects or other reproductive harm.

- Where can I get more information on Proposition 65?

If you have specific questions on the administration or implementation of Proposition 65, you can contact OEHHA's Proposition 65 program at P65.Questions@oehha.ca.gov, or by phone at (916) 445-6900.