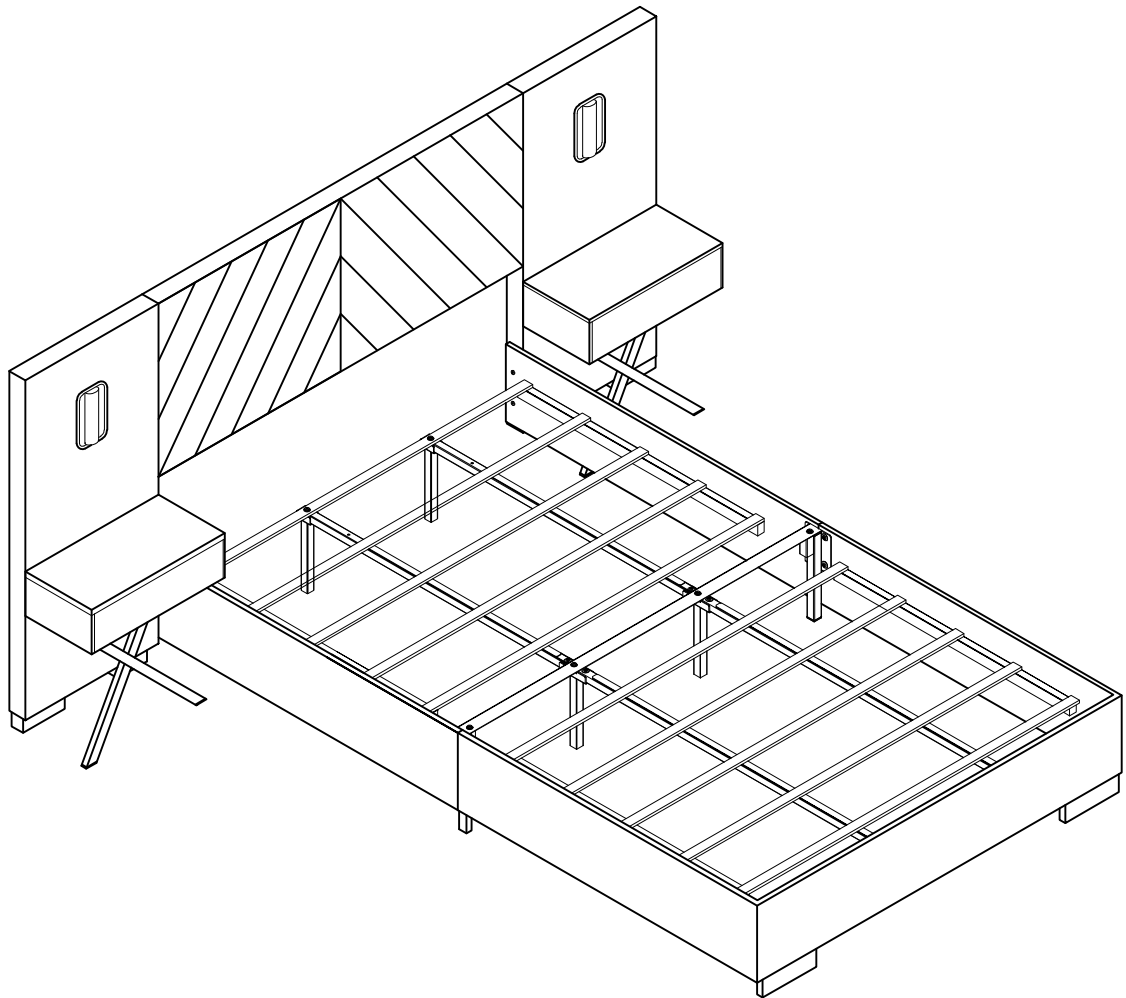
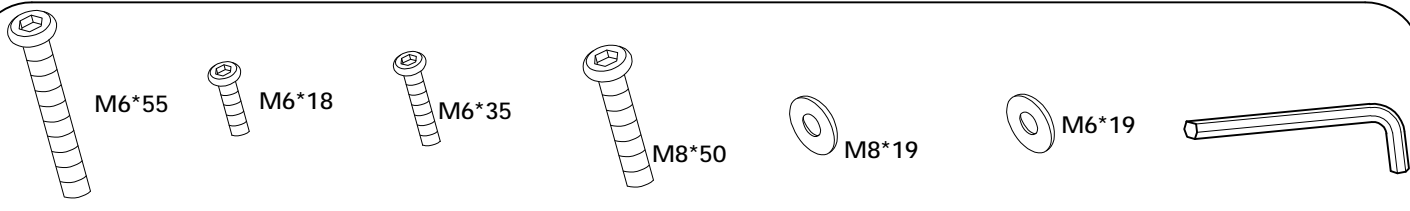


ASSEMBLY INSTRUCTIONS

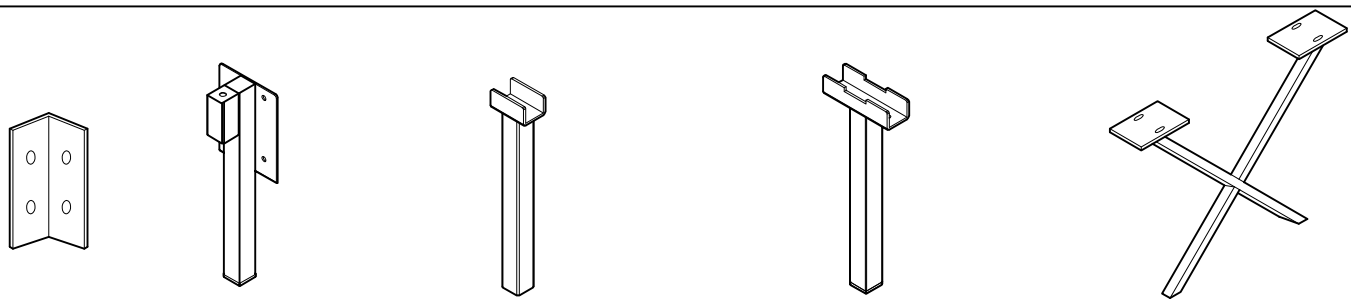
Compression must wait for 72 hours before it can be unfolded, and it needs to be flapped by hand



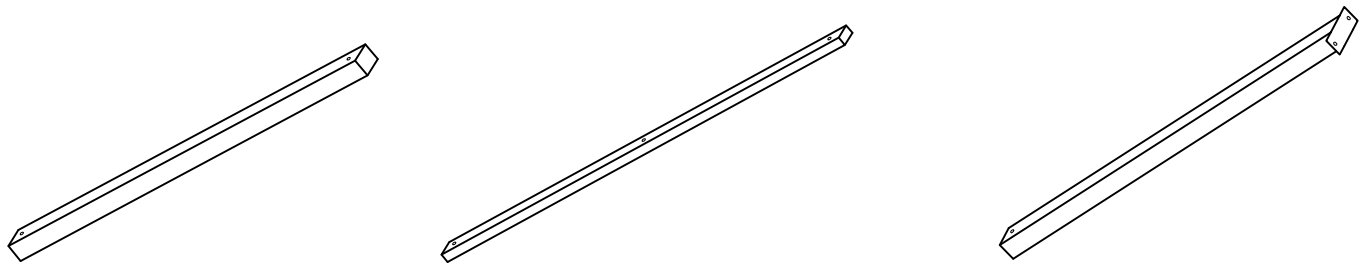
parts list



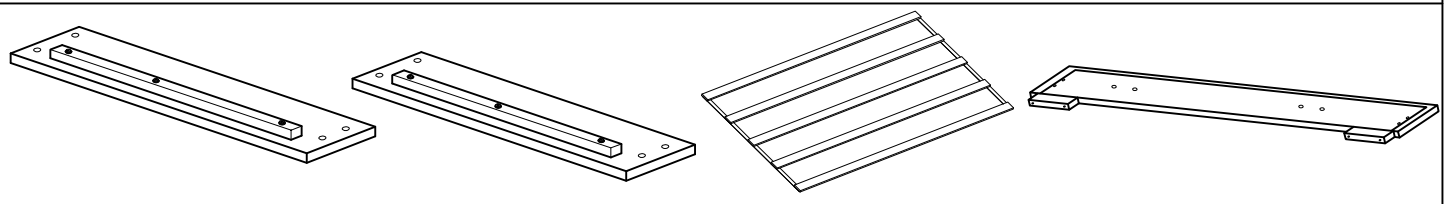
A1:Screw 8pcs **A2:**Screw 28pcs **A3:**Screw 4pcs **A4:**Screw 10pcs **A5:**Inserts 10pcs **A6:**Inserts 40pcs **A7:**Spanner 2pcs



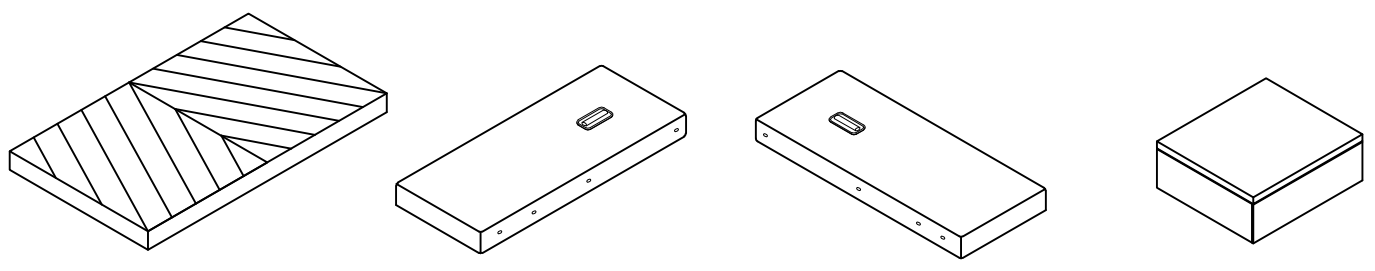
B1:Angle iron 2pcs **B2:**Side Mid-leg 2pcs **B3:**Frontsupport leg 2pcs **B4:**Middle Support Leg 2pcs **B5:**Support the legs 2pcs



C1:Center Front Pipe 2pcs **C2:**Cross-connecting Pipe 1pcs **C3:**Center Back Pipe 2pcs



D1:Long side panel 2pcs **D2:**Short side panel 2pcs **D3:**Wooden strips 2pcs **D4:**The tail of the bed 1pcs



E1:Headboard 1pcs **E2:**Left bed ear 1pcs **E3:**Right bed ear 1pcs **E4:**Bedside table 2pcs

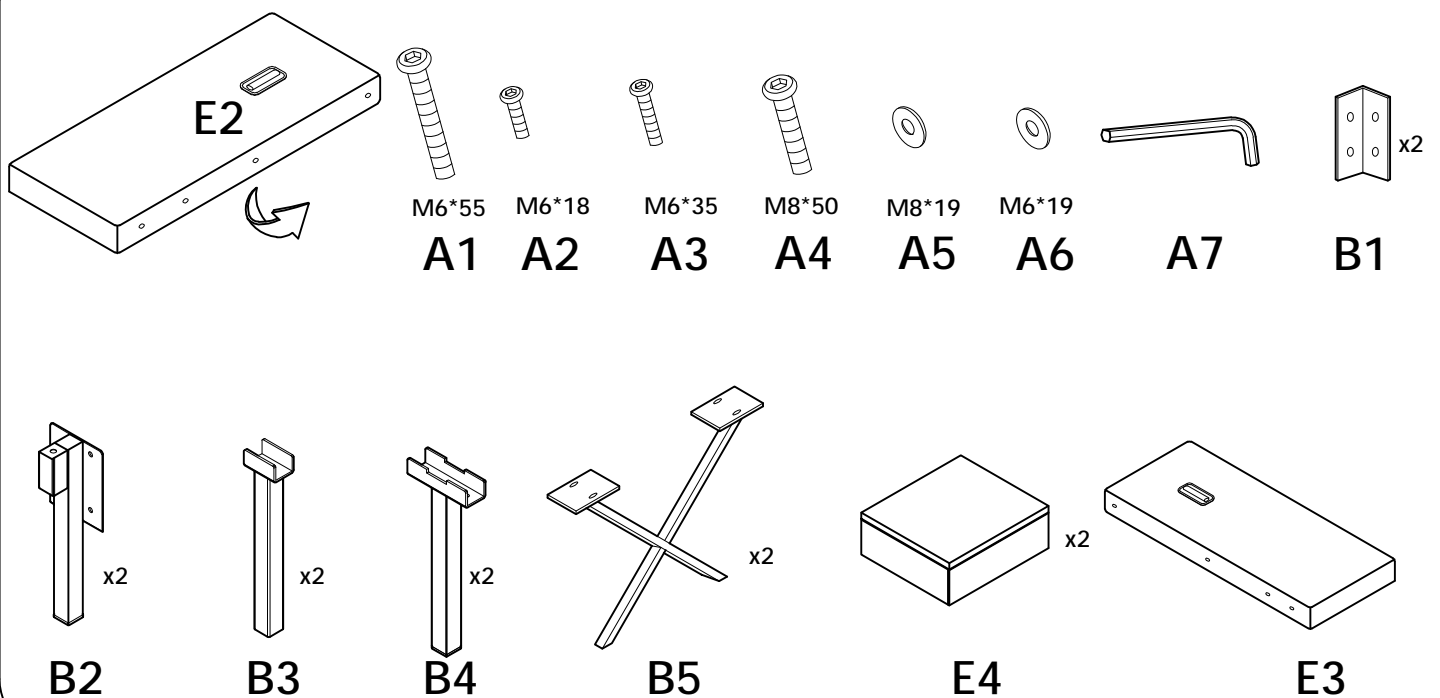
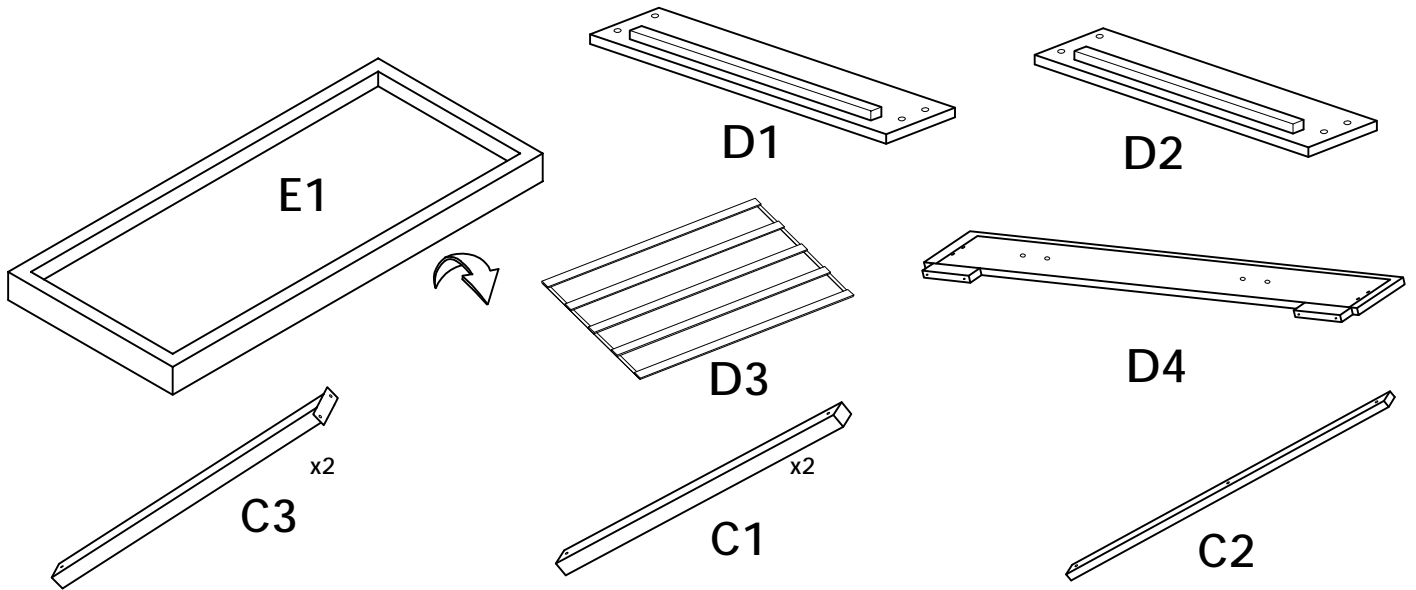
packing list

W1793134146: C1x2 C2x1 C3x2 D1x2 D2x2 D3x2 D4x1 E1x1

W1793140520: A1x9 A2x30 A3x5 A4x10 A5x10 A6x44 A7x2 B1x2 B2x2 B3x2 B4x2 B5x2 E2x1 E3x1 E4x2 (Including spare hardware)

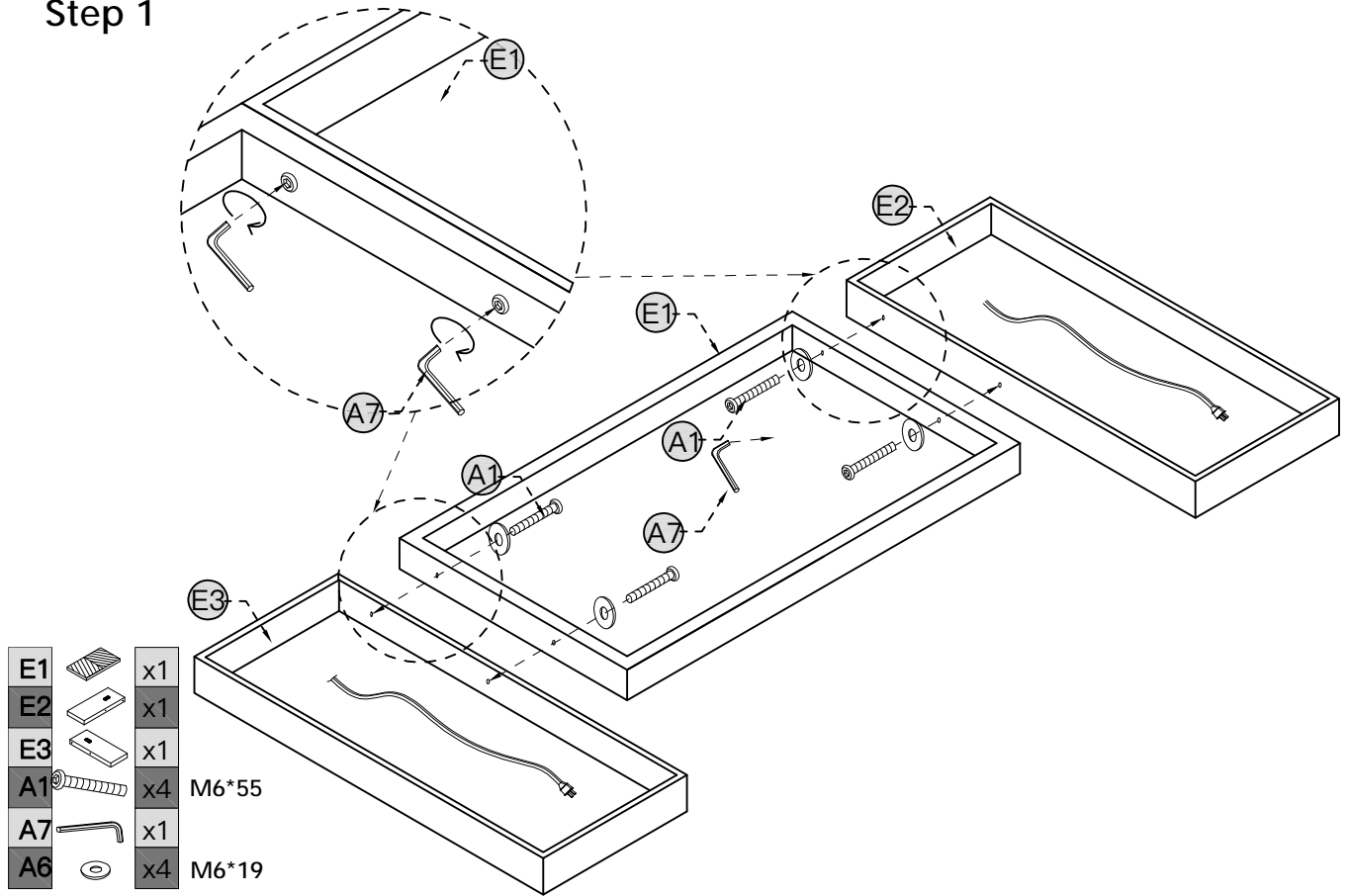
Note

Note: The package is as follows.

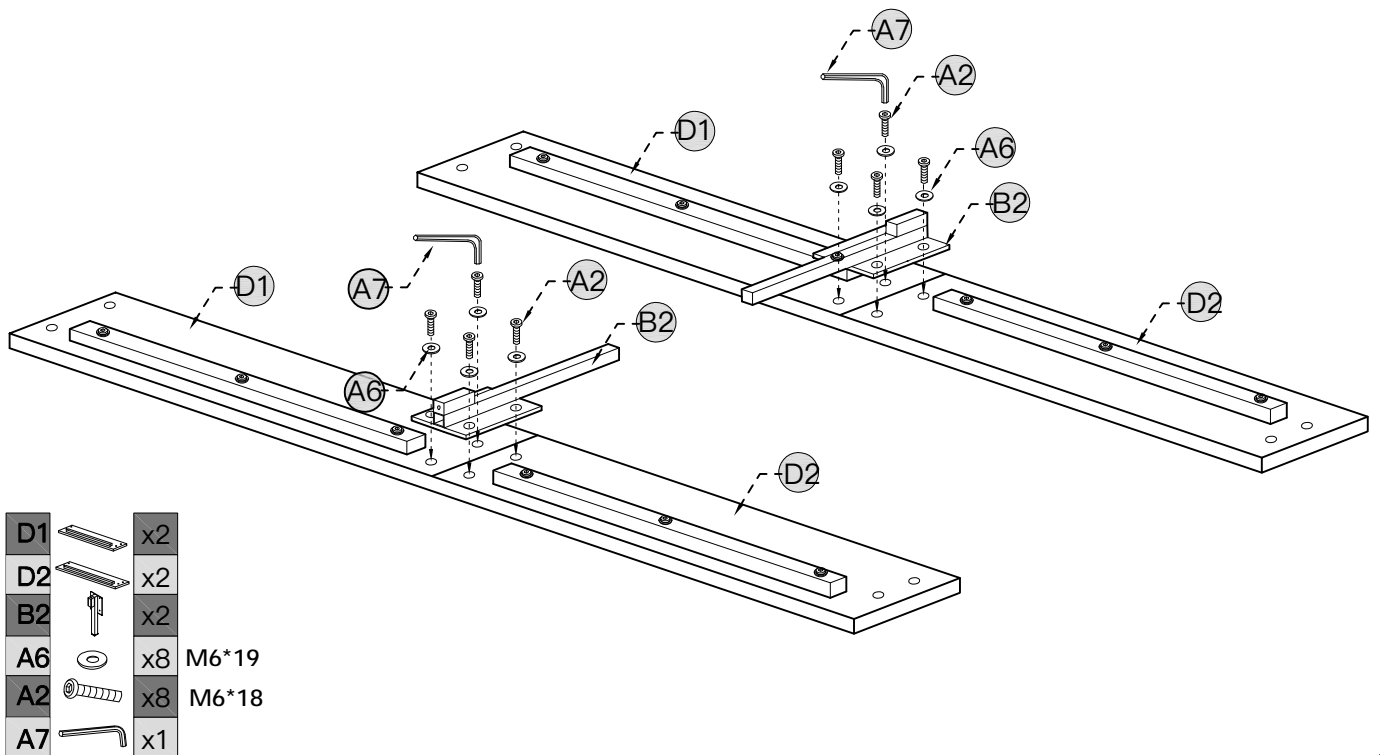


Installation method

Step 1

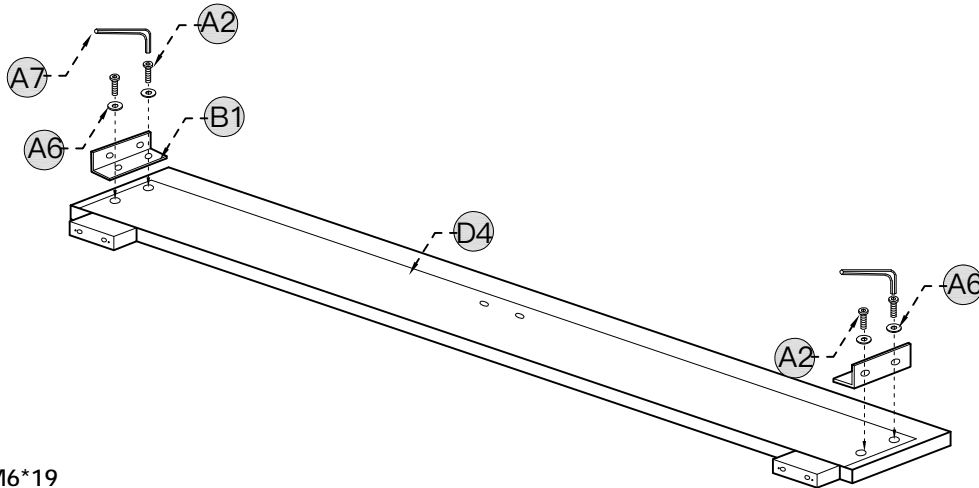


Step 2



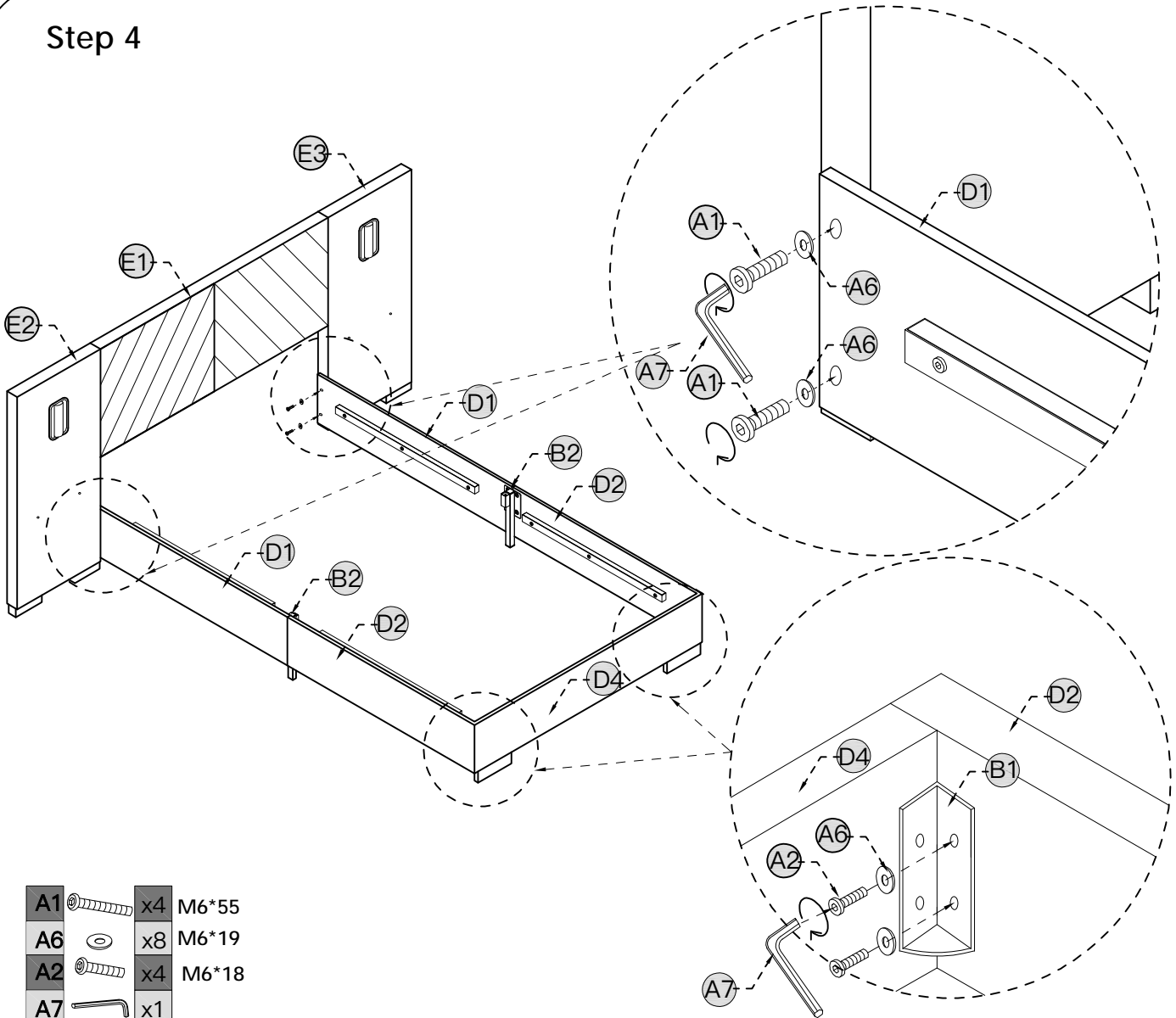
Installation method

Step 3



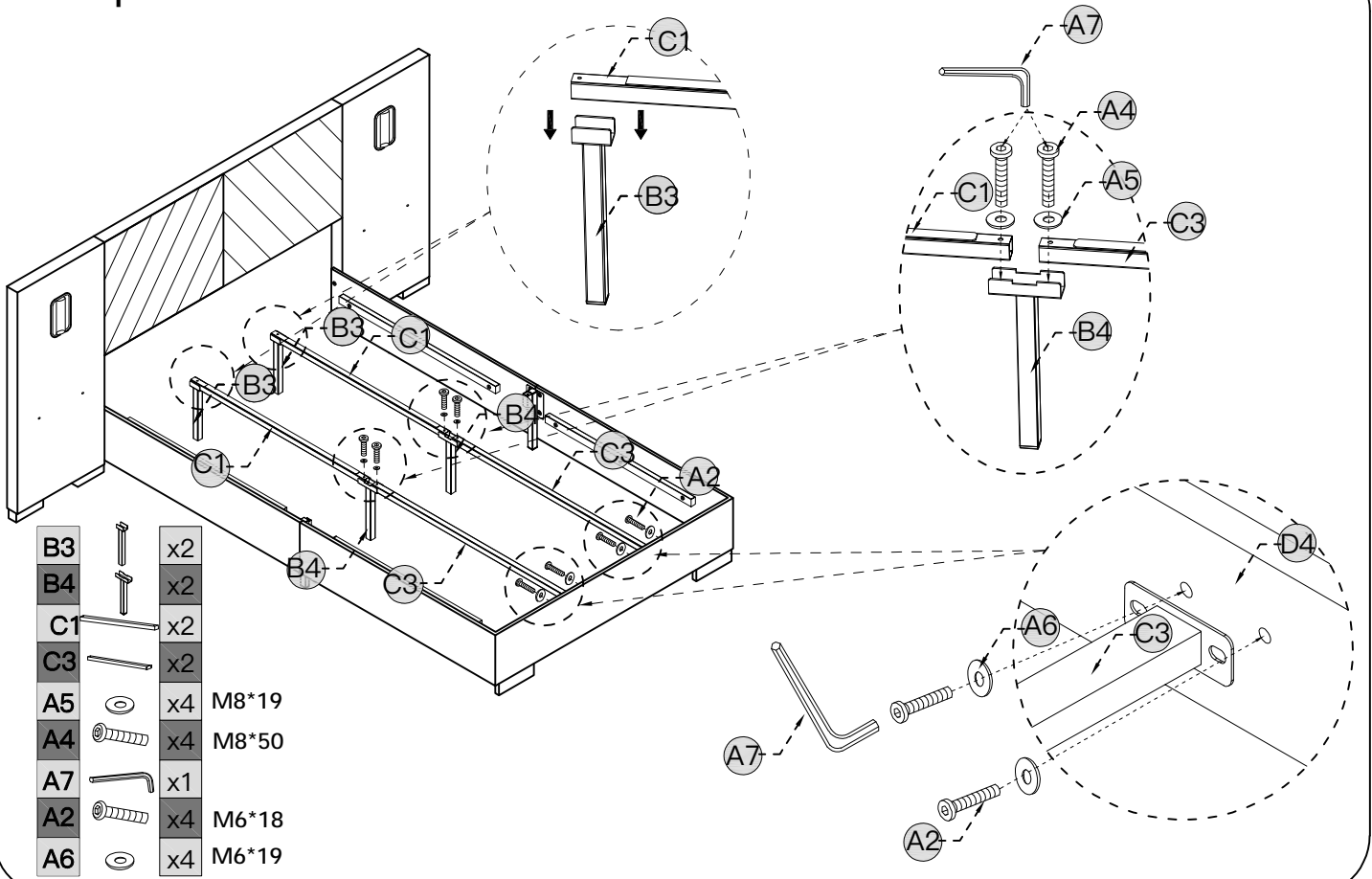
D4		x1	
B1		x2	
A6		x4	M6*19
A2		x4	M6*18
A7		x1	

Step 4

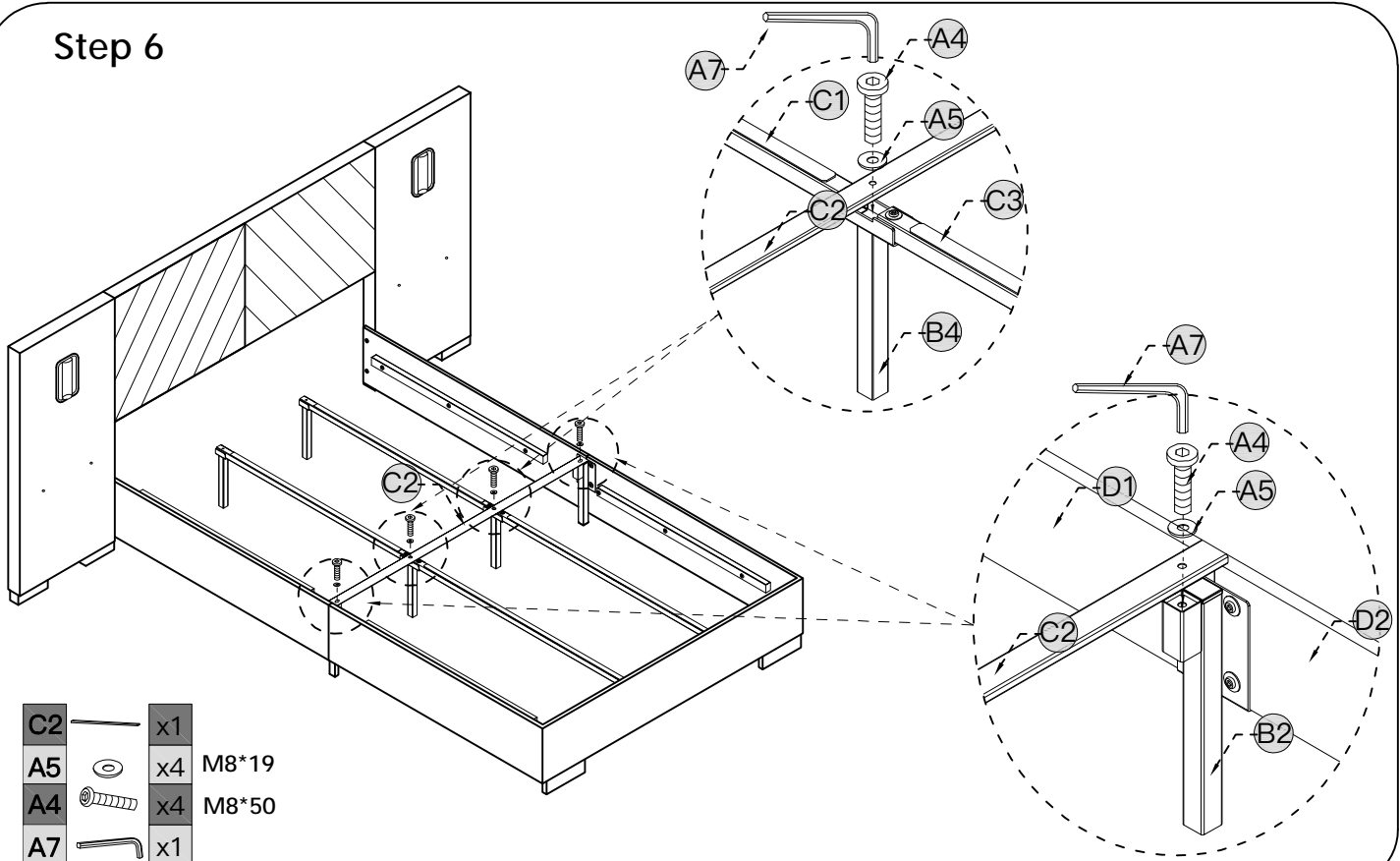


A1		x4	M6*55
A6		x8	M6*19
A2		x4	M6*18
A7		x1	

Step 5

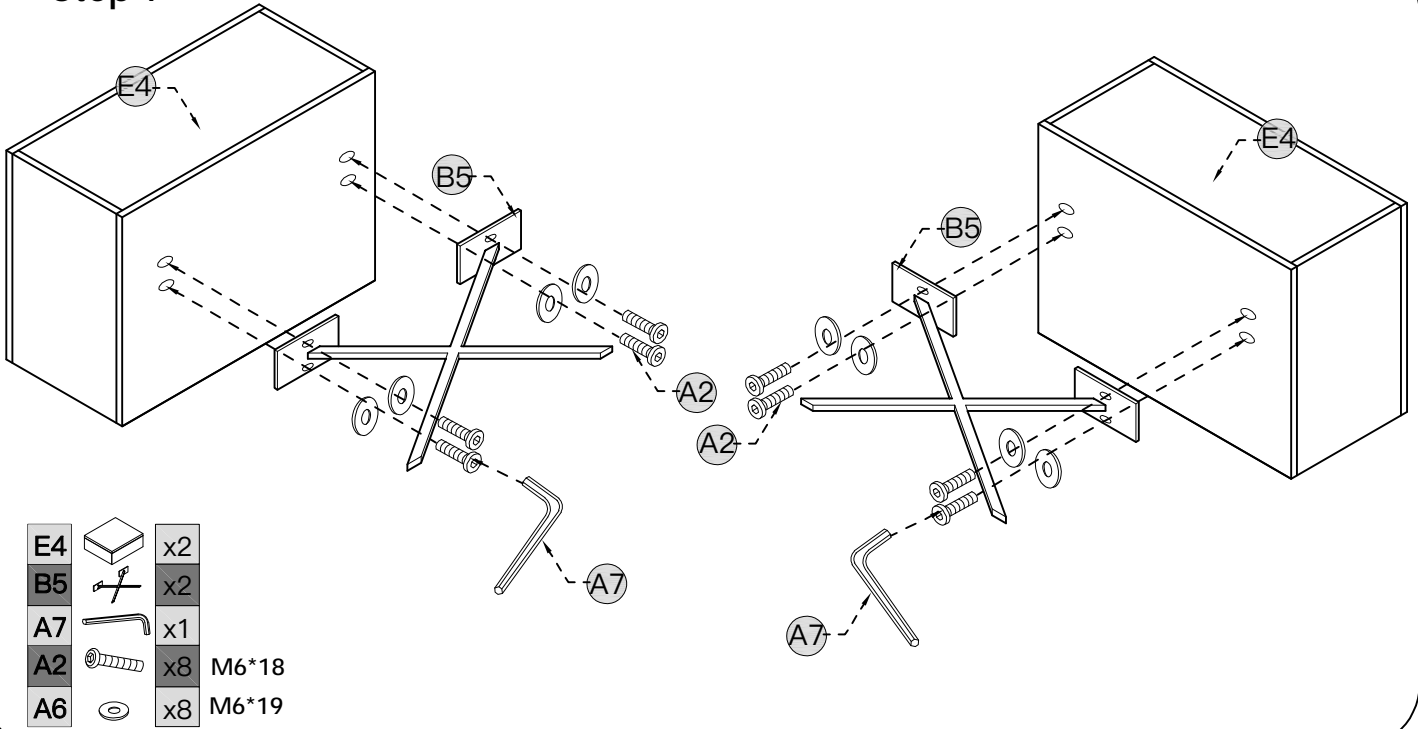


Step 6

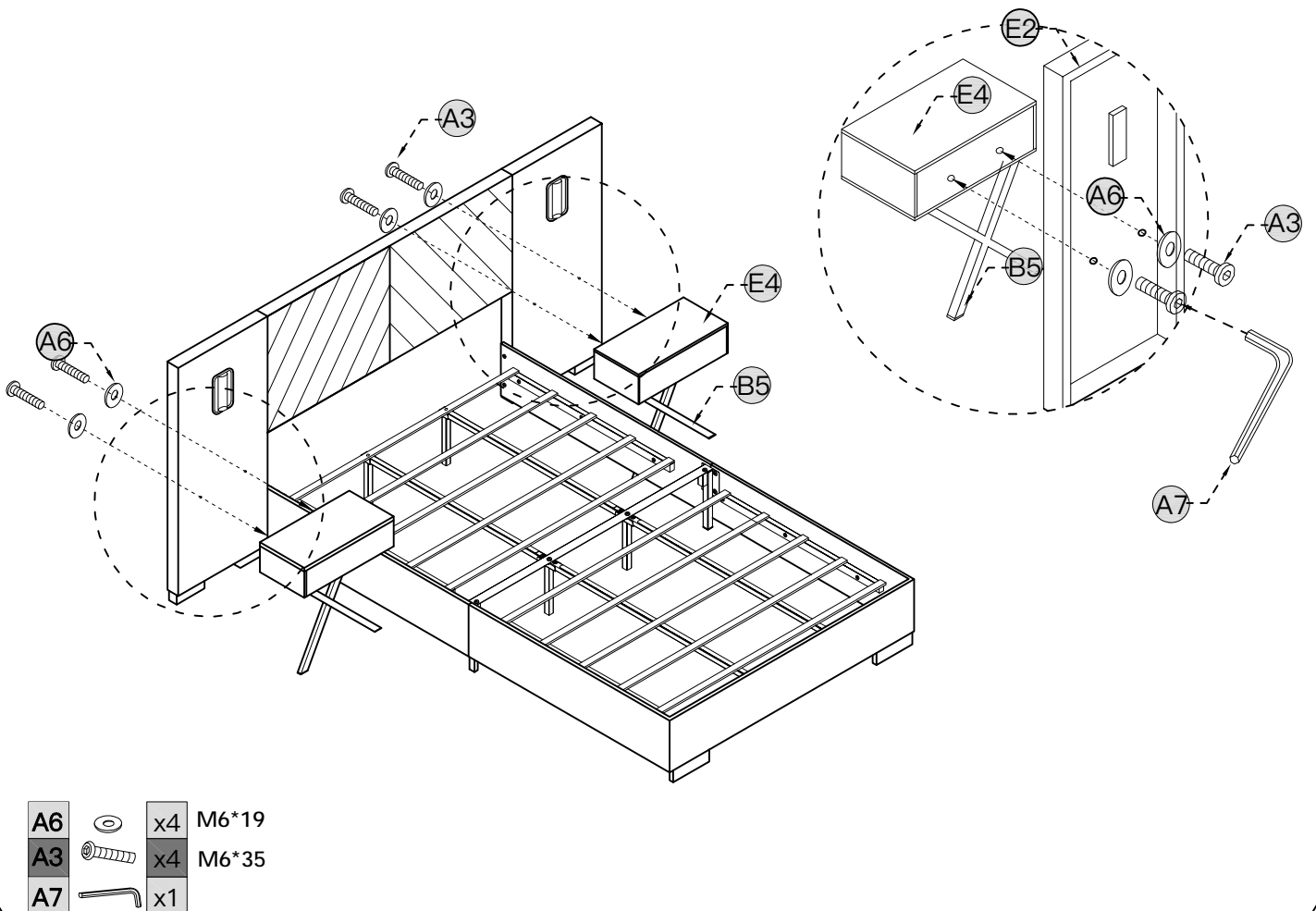


Installation method

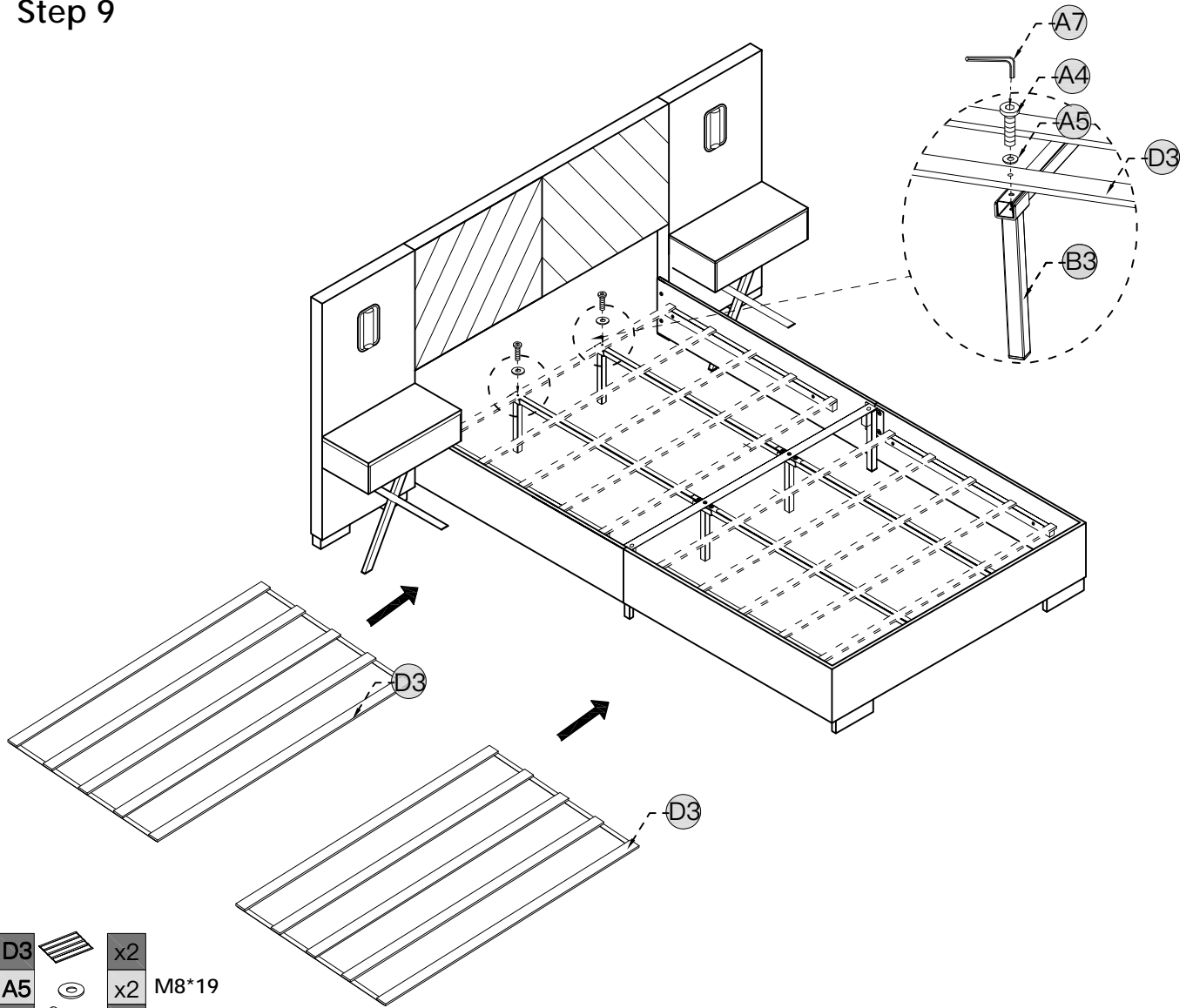
Step 7



Step 8



Step 9



- | | | | |
|----|--|----|-------|
| D3 | | x2 | |
| A5 | | x2 | M8*19 |
| A4 | | x2 | M8*50 |
| A7 | | x1 | |

Assembly completed!

Please enjoy the bed