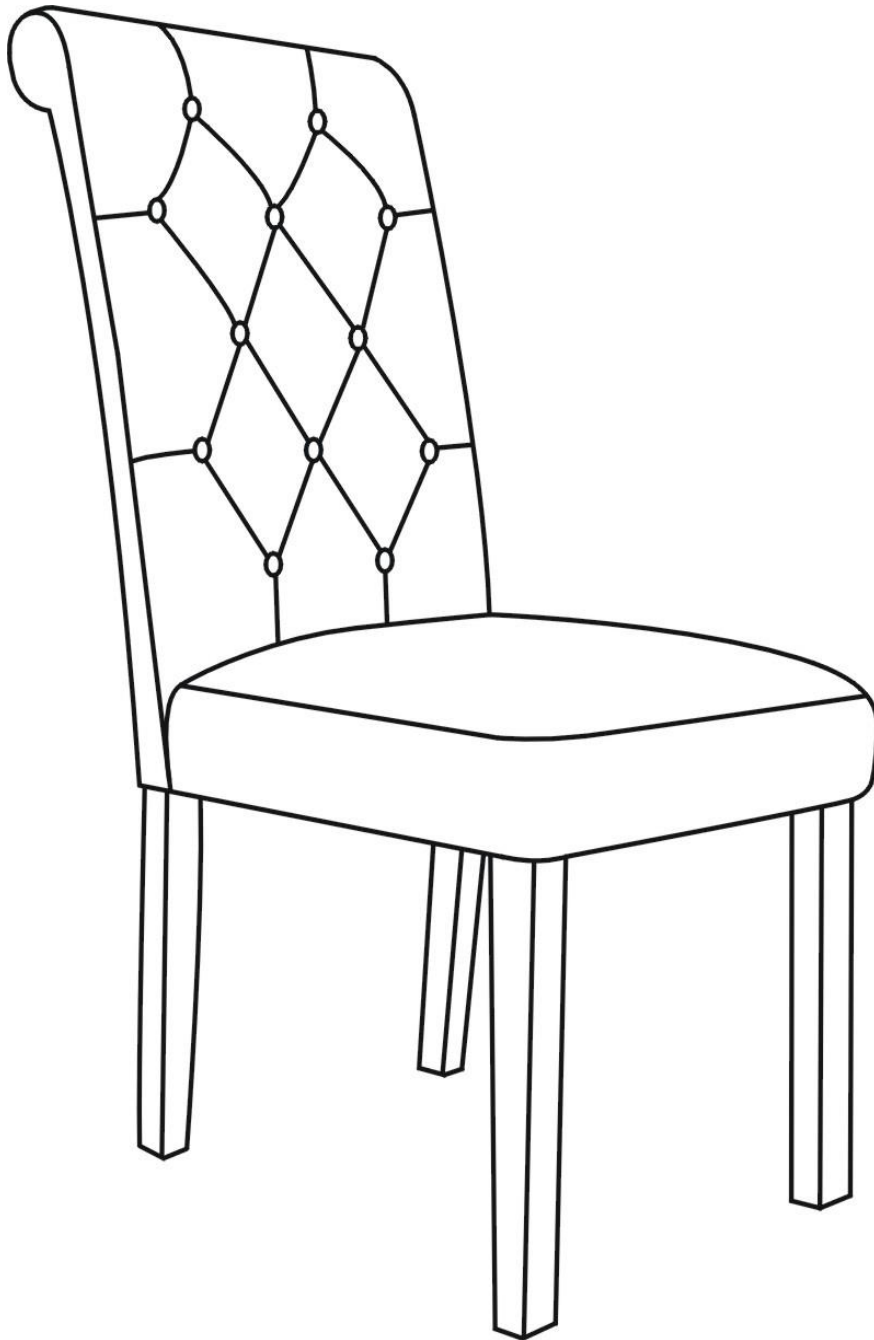


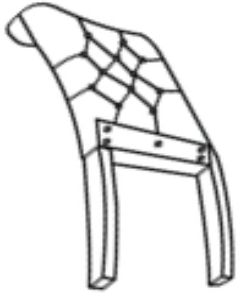
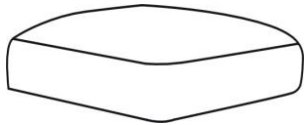

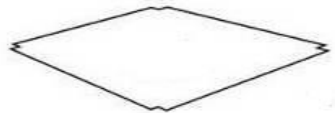
Assembly Instructions

Caution: You must read this before you proceed.







Dining Chair



Parts List

Label	Picture	Description	QTY
A		Chair Back	1
B		Chair Seat	1
C		Wooden Leg	2
D		Seat Base Cover	1

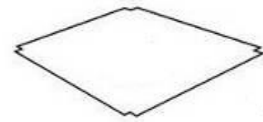
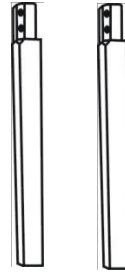
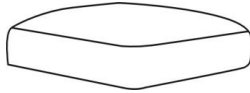
Hardware

Label	Picture	Description	QTY
①		Bolt M8X60	5
②		Bolt M8X50	2
③		Bolt M8X80	5
④		Flat Washer Ring	10
⑤		Spring Washer Ring	10
⑥		Allen Wrench	1

Assembly Preparation

Before Beginning Assembly:

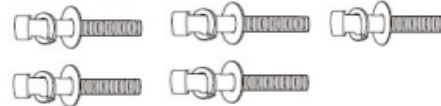
Unpack all the parts for a clear overview.



Pack A for Locking the front legs to the front corner blocks of the seat:
Four Dia.M8 Bolt:60mm(L)+four flat washer+four spring washer



Pack B for locking the back panel of the seat to the horizontal panel of the backrest:
Four Dia.M8 Bolt:80mm(L)+one Dia.M8 Bolt:50mm(L)+five flat washer+five spring washer



Allen Wrench



- Read instructions, cover to cover-



- Have 2 adults on hand for assembly-



- Do not assemble on flooring or carpet-



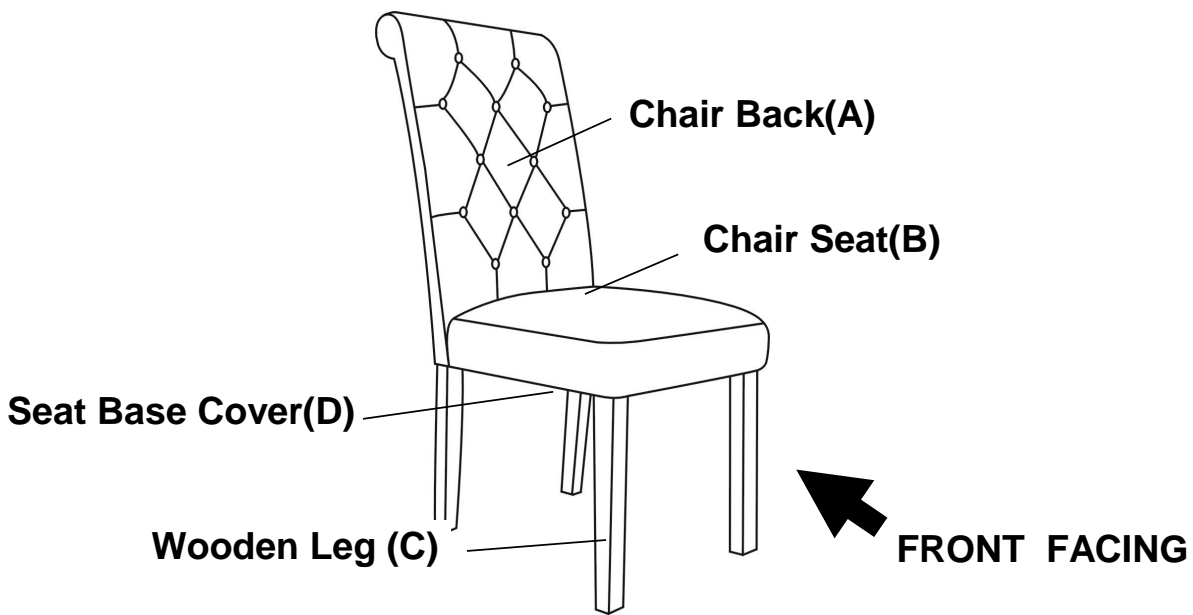
- Assemble on a clean non-marring surface (packing foam)-



- Save all packaging until finished-

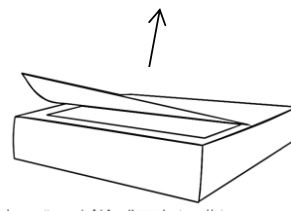
Assembly Steps

Parts Introduction



This Dining Chair has multiple parts and may require up to some 30 minutes to assemble. To give you an overview of the Chair parts, the above picture is to help you put the various parts into perspective. Please read through the instructions below to familiarise yourself with the parts and steps before assembly.

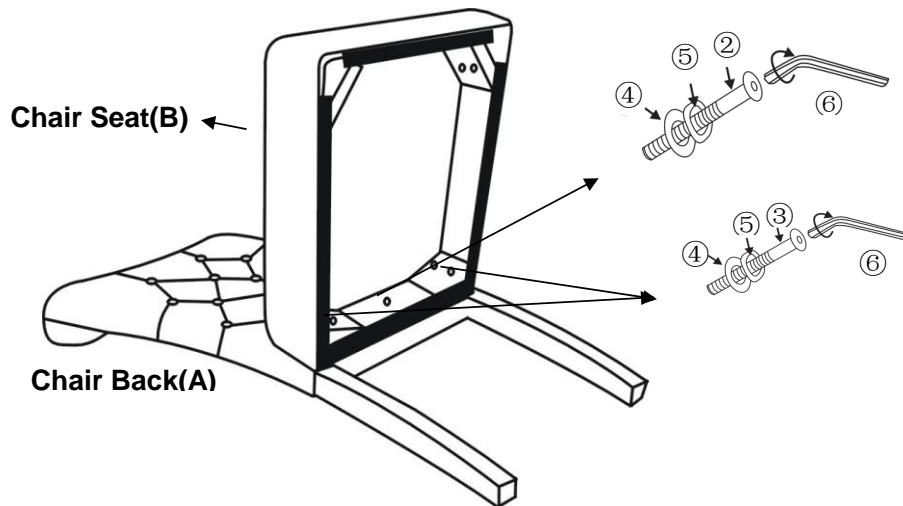
Step 1



Place the Chair Back(A) on a soft surface to avoid any scratches or damage to the product.

REMOVE the Seat Base Cover from the Chair Seat(B), take out the front legs and hardware accessories.

Step 2



Put the chair back(A) onto a flat table or panel.

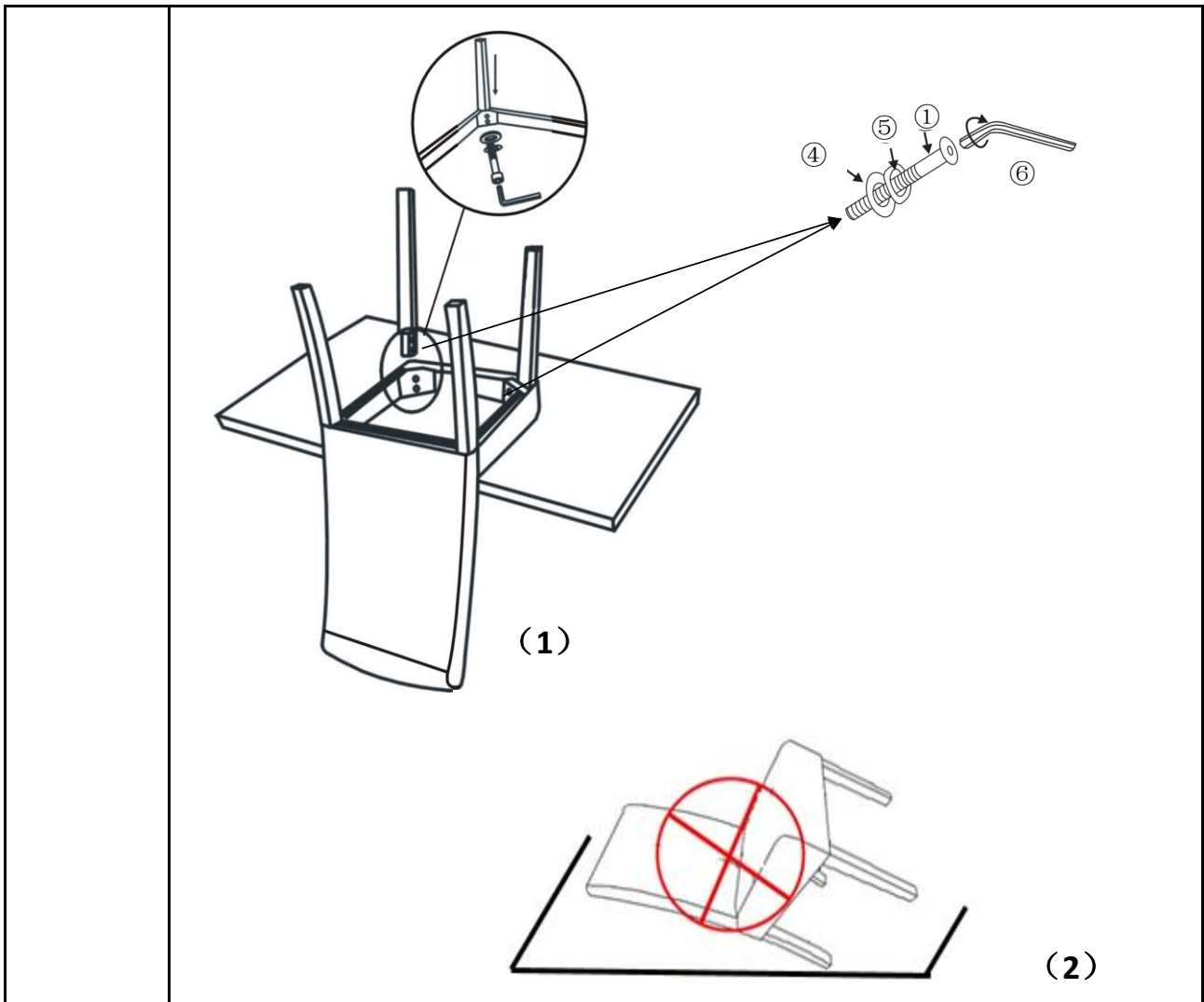
Align the positioning dowels on the Chair Seat with the mounting position located on the Chair Back- panel and Chair - Seat panel.

Use your left hand to push the seat frame downwards toward the floor
This action helps to ensure the chair seat(B) is pressed towards to the chair back(A) with no gap between these.

Then, lock the middle hole using a Bolt② and then the four corner mounting positions.

The hardware for these are : Bolts②+ Bolts③+ Flat Washers④ + Spring Washers⑤ with the Allen Wrench⑥.

At this point of assembly, DO NOT overfasten the connections.



Next, place the chair onto the side of a table as seen in Picture (1) . You will now have the chair bottom and all 4-legs facing upwards. Insert each front leg completely vertical into each seat frame corner. **PRESS FIRMLY DOWN** with your hand until there is no gap. **WARNING!! DO NOT POSITION THE FRONT LEG AS SHOWN IN PICTURE (2) .**

THIS PICTURE SHOWS THE CHAIR BACK STAYS AGAINST THE GROUND and THE FRONT LEGS HORIZONTAL IN MIDAIR.

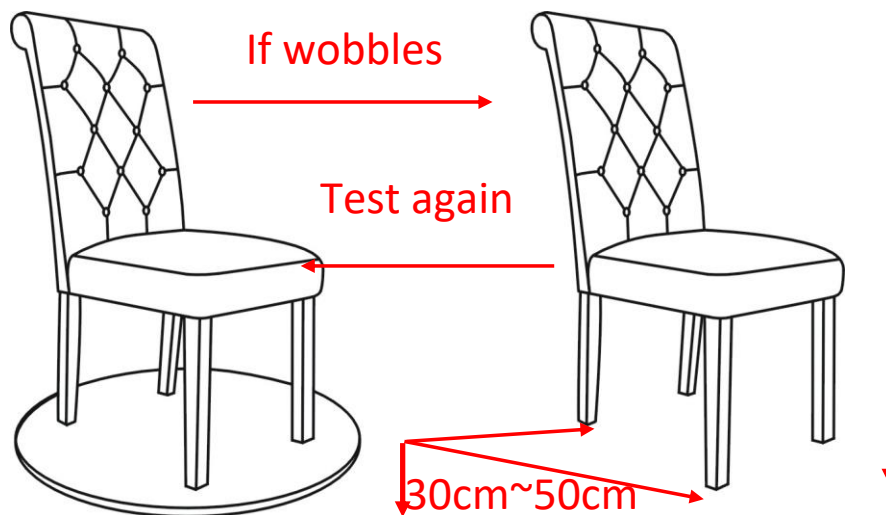
Now tighten the bottom bolt first, then the bolt on the top by using Bolts① and Flat Washers④ and Spring Washers⑤.

DO NOT tighten the top bolt first.

WARNING!! DO NOT OVER TIGHTEN. OVER TIGHTENING COULD LEAD TO DAMAGE OF THE PRODUCT.

TIGHTEN ONLY UNTIL SECURE AND STABLE.

Step 4



Place the chair on a **LEVEL SURFACE** to see if it wobbles.

If it wobbles, lift the chair to some 30cm to 50cm height from the ground.

Keep your feet and toes well away from the drop zone.

Drop the chair freely and vertically with the four legs, hitting the ground, at the same time.

This Drop Test will help to ensure that all the bolts and gaps reach full alignment status.

Test again for evenness on a **LEVEL SURFACE**.

If no wobbles found, proceed to tighten all the bolts.

CAUTION : When tightening these bolts, tighten sequentially.

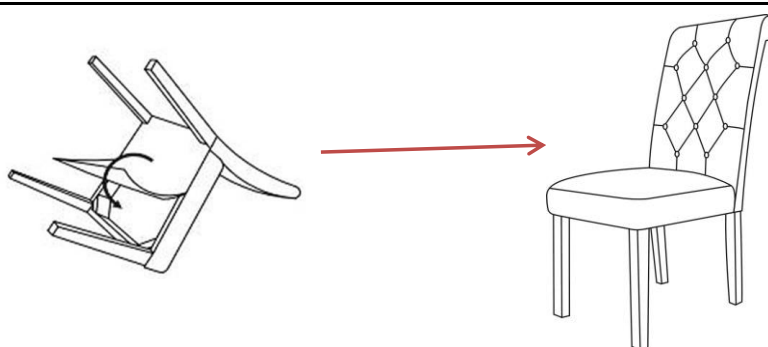
DO NOT tighten any bolt fully and then move towards the next one.

This would cause the frame to warp.

If there is still wobbles, loosen the bolts and execute this same drop tests.

WARNING!! IF CHAIR IS NOT STABLE , IT COULD LEAD TO DAMAGING THE PRODUCT.

Step 5



Finally, seal the Seat Base Cover back on to the underside of the chair seat . Turn it right side up.

Make sure all parts are connected and securely locked into position.

Your Chair is ready for use.

This Dining Chair can only be used on a flat, level surface.

Care & Maintenance



- Furniture may scratch floors. We recommend using furniture pads to protect your floors.



- Do not put hot items directly on furniture surface.



- Do not clean furniture with harsh cleansers or polish.



- Do not place furniture under direct sunlight.



- Do not place furniture near heating or cooling vents.



- Do not write on furniture without a padded barrier to protect the surface.



- Do not place furniture outside . For indoor use only.



- Not for commercial use. For residential use only.



- Stains may be removed with mild soap solution and damp cloth.



- Children should not climb or jump on the furniture.



- Dust and pick-up spills using a clean, non-colored, lint-free cloth.