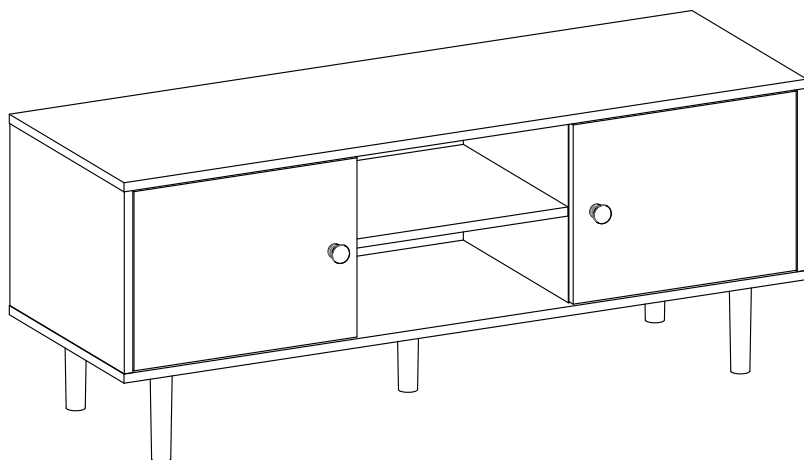


Instruction Manual



CONTENTS

Safety and care advice	1
Components – parts	2
Assembly instructions	4
Copyright	10



SAFETY AND CARE ADVICE



PLEASE READ THESE INSTRUCTIONS CAREFULLY AND KEEP FOR FUTURE REFERENCE

Warning:

- Check you have all the components and tools listed on pages 2 and 3.
- Remove all fittings from the plastic bags and separate them into their groups.
- Keep children and animals away from the work area, small parts could choke if swallowed.
- Make sure you have enough space to layout the parts before starting.
- Do not stand or put weight on the product, this could cause damage.
- Assemble the item as close to its final position (in the same room) as possible.



- Assemble on a soft level surface to avoid damaging the unit or your floor (use opened out unit carton).
- We do not recommend the use of power drill/drivers **for inserting screws**, as this could damage the unit. Only use hand screwdrivers.
- Safety note:** If there is any chance of this unit being pulled over by children etc. it is recommended that the unit is secured to a wall using suitable fixings .
- Dispose of all packaging carefully and responsibly.

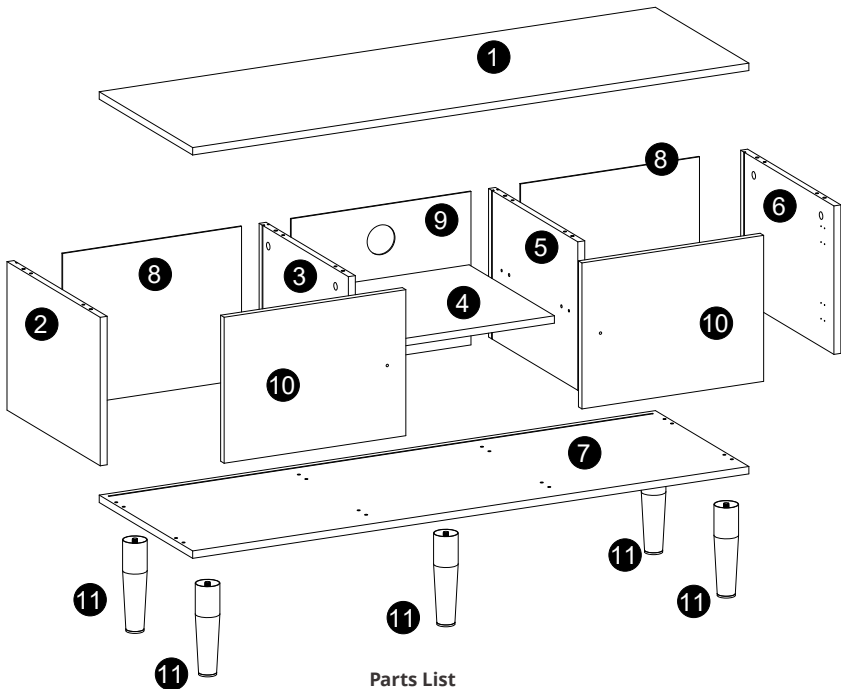
CARE AND MAINTENANCE

- Only clean using a damp cloth and mild detergent, do no use bleach or abrasive cleaners.
- From time to time check that there are no loose screws on this unit.
- This product should not be discarded with household waste. Take to your local authority waste disposal center.

Note: *If required the next page can be cut out and used as reference throughout the assembly. Keep this page with these instructions for future reference*

COMPONENTS

Ensure the following components are in the box before proceeding with assembly:



Parts List

1	Top Panel	x1	7	Base Panel	x1
2	Left Side Panel	x1	8	Back Panel	x2
3	Middle Panel	x1	9	Middle Back Panel	x1
4	Cabinet Shelf	x1	10	Door Front Panel	x2
5	Middle Panel	x1	11	Leg	x5
6	Right Side Panel	x1			



COMPONENTS — FITTINGS

Please check you have all the fittings listed below:

A



Peg M6*35 mm x 12

B



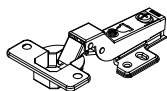
Lock M15*12mm x 12

C



Dowel M6*30mm x 20

D



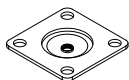
Door Hinge x 4

E



Screw M4*12mm x 24

F



Metal plates x 5

G



Screw M4*12mm x 20

H



Screw M5*40mm x 8

I



Silicone crush pad x 4

J



Handles x 2

K



Screw M4*14mm x 2

L



Plastic triangle back x 12

M




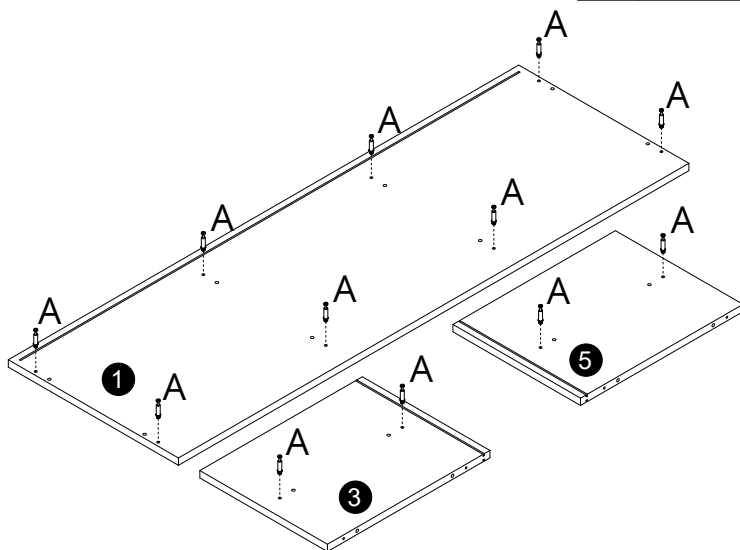
Screw M3*14mm x 12



ASSEMBLY INSTRUCTIONS



Step 1

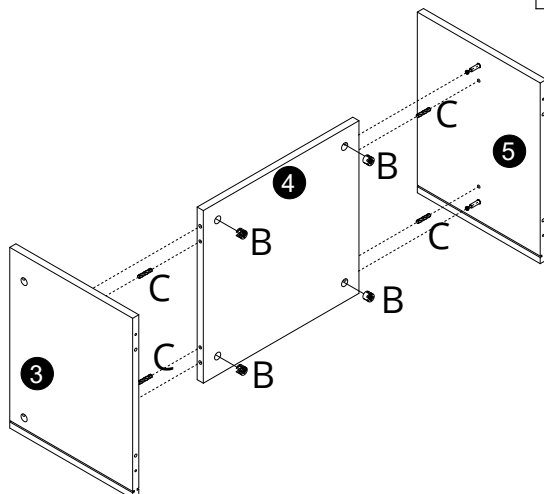
A		12
---	---	----



Step 2

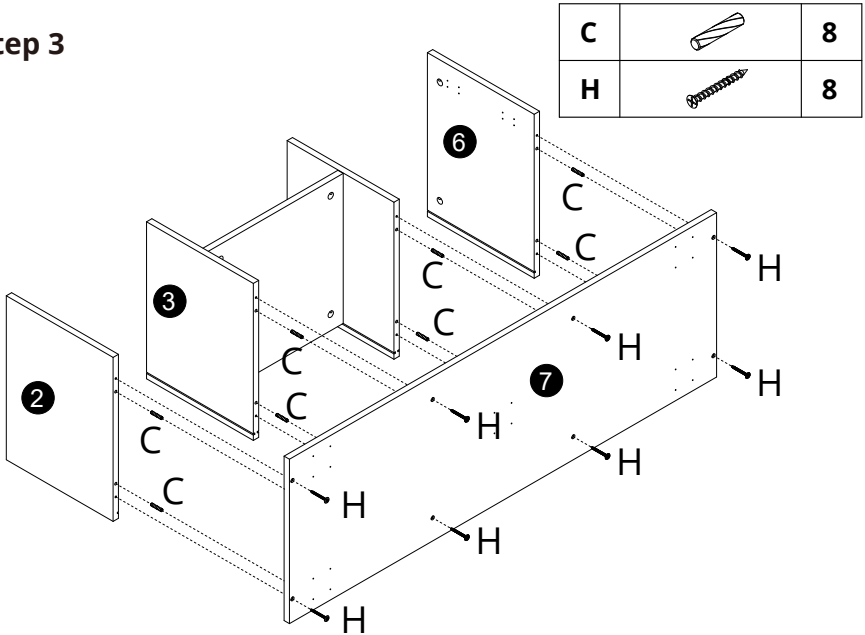
The cam lock needs to be inserted in the open position and tightened once the dowel has been inserted.

B		4
C		4



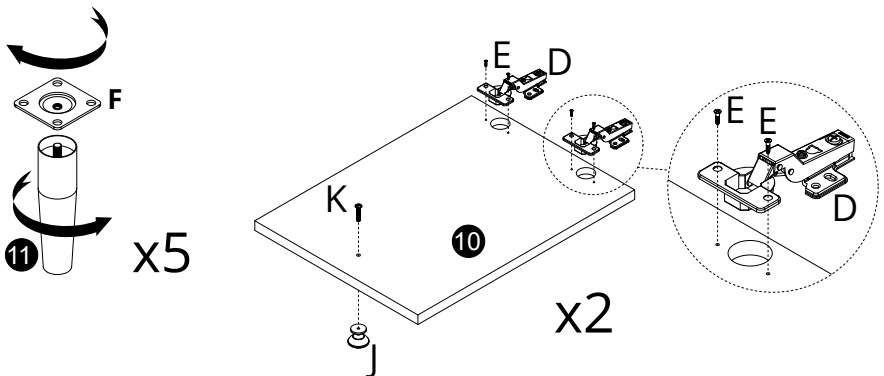
ASSEMBLY INSTRUCTIONS

Step 3



Step 4

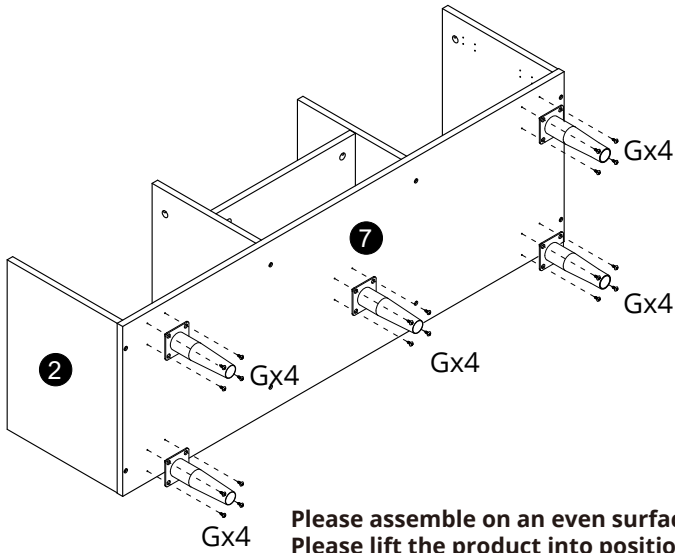
D		4	E		8
F		5	K		2
J		2			



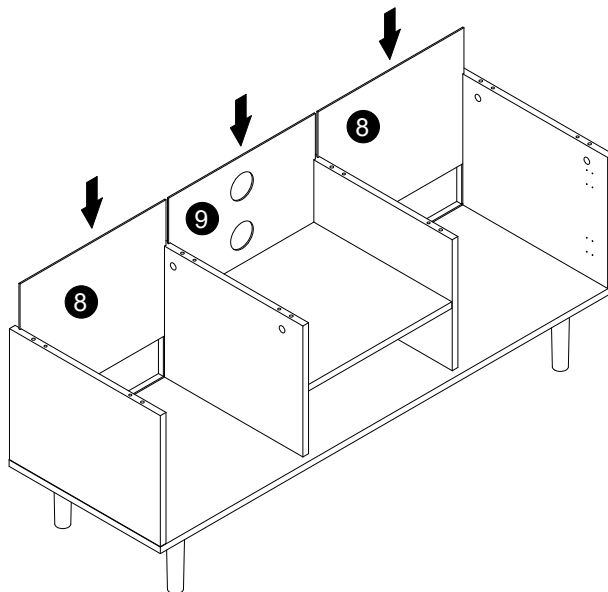
ASSEMBLY INSTRUCTIONS

Step 5

G		20
---	---	----

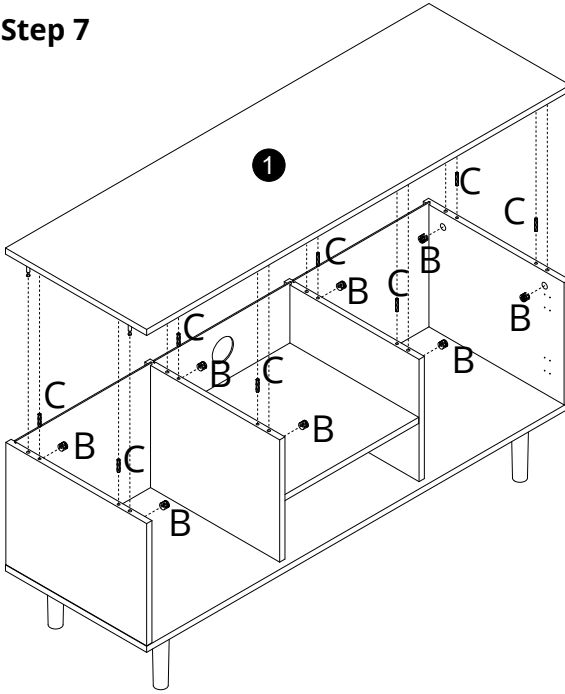




Step 6



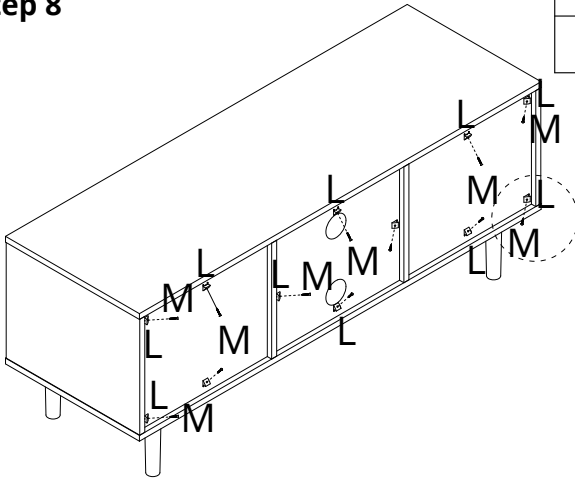
ASSEMBLY INSTRUCTIONS



Step 7

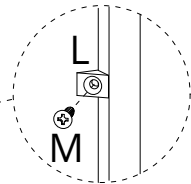


B		8
C		8

Step 8





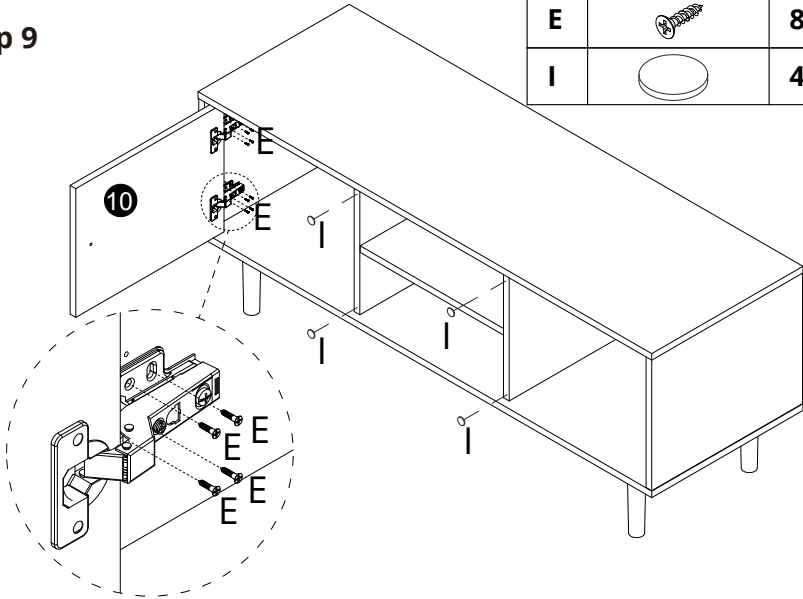
L		12
M		12




ASSEMBLY INSTRUCTIONS

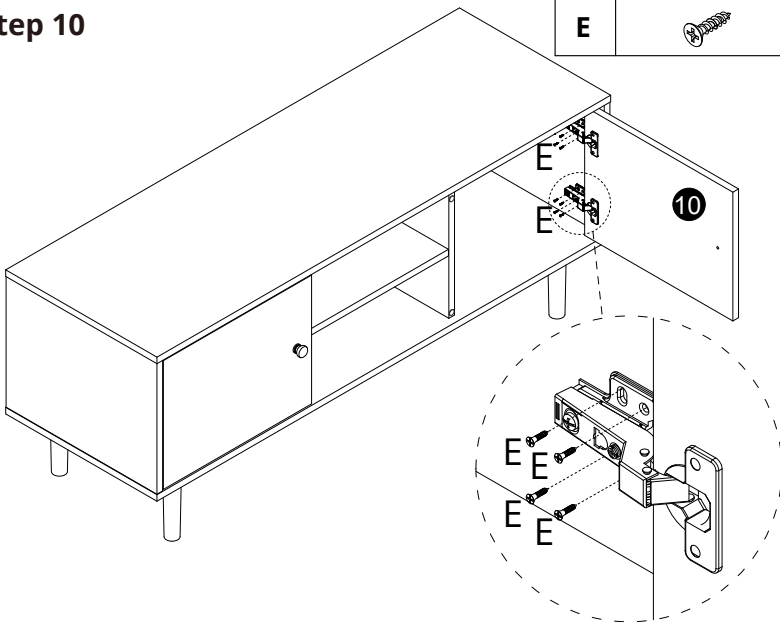
Step 9

E		8
I		4



Step 10

E		8
---	---	---

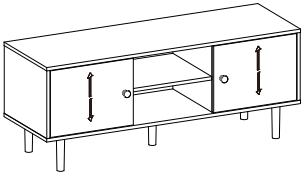
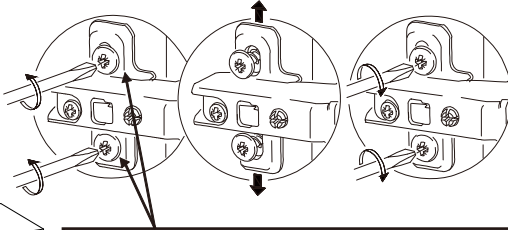


DOOR ALIGNMENT



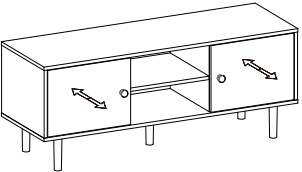
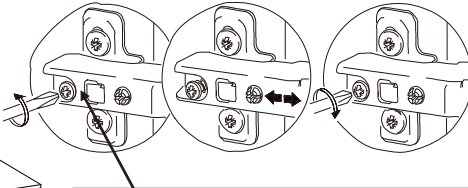
Customer Attention:

Doors may need adjusting during and after assembly to align and control gap in between doors. This can be done by adjusting the appropriate screws. See below illustration.



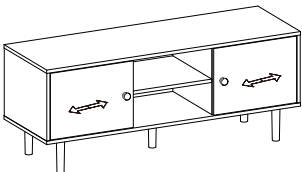
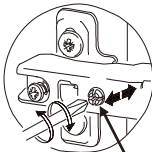
Vertical Door Adjustment:

Loosen both screws on all hinges and lift the door to the desired height. This allows an even space at the top and bottom of the door frame. Tighten the screws to secure when doors are at desired height.



Lateral Door Adjustment:

If door is rubbing on frame as you close or open it, loosen the screw shown and move the door in the appropriate direction (in or out). Tighten the screws to secure doors.



Horizontal Door Adjustment:

Rotate screws clockwise or anticlockwise. This will produce an even gap between doors and frame.

IF YOU FIND A DEFECTIVE PART

We fully stock all parts and components. Any defective part can be quickly replaced. Take note of the defective part number in manual and we will arrange a quick replacement.

COPYRIGHT

All material in this instruction manual is copyrighted by AGTC Ltd.
Any unauthorised use may violate worldwide copyright, trademark and other laws.