

COOPER LIGHTING - ALLPRO®

DESCRIPTION

The APW-GPW Series is a general purpose wraparound luminaire featuring ideal performance for any application. The luminaire's low profile design is both appealing and functional. The APW-GPW Series utilizes a clear, low brightness, extruded acrylic refractor to meet your performance and aesthetics needs.

The APW-GPW Series is the perfect wraparound for schools, offices and other commercial and retail spaces.

Catalog #		Type
Project		
Comments		Date
Prepared by		

SPECIFICATION FEATURES

Construction

Housing consists of die formed cold rolled steel. Ends formed with the housing for strength. Steel end plates with 7/8" KO's and provisions for continuous row aligners. Ballast cover easily removed without tools.

Electrical*

Equipped with T8 NEMA premium ballast. Rotor lock lampholders. UL/CUL listed. Suitable for damp locations.

Finish

Baked enamel finish ensures maximum bonding and rust prevention.

Lens

100% clear prismatic lens. Sides have inside linear prisms and bottom has pyramidal prisms for low brightness control.



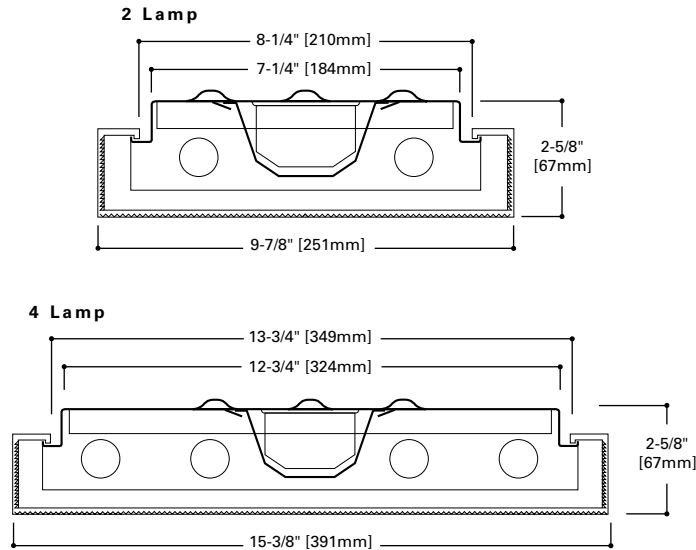
APW-SW

432

232

2' OR 4' LAMPS
2' OR 4' SURFACE

Specification Wrap



Catalog Number	Product Description	Wattage	UPC
APW-SW232	4', 2 LAMP, T8, SPECIFICATION WRAP	32W	080083622153
APW-SW432	4', 4 LAMP, T8, SPECIFICATION WRAP	32W	080083622177

SHIPPING INFORMATION

Catalog Number	WGT.	Pallet Qty.
APW-SW232	8.91	48
APW-SW432	12.41	24

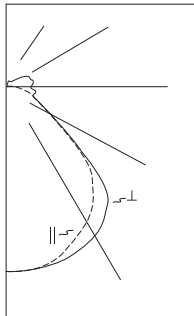
LAMPS CONTAIN MERCURY. DISPOSE ACCORDING TO LOCAL, STATE OR FEDERAL LAWS

LINEAR DISCONNECT

Safe and convenient means of disconnecting power.

*Reference the lamp/ballast data in the Technical Section for specific lamp/ballast requirements.

PHOTOMETRICS



APW-SW432
Energy Saving
Ballast

F32T8/35K Lamps
2850 Lumens

Spacing criterion:
(II) 1.3 x mounting
height, (⊥) 1.4 x
mounting height

Efficiency 76.3%

Test Report:
WS432A.IES

LER = FW-70

Yearly Cost of 1000
lumens, 3000 hrs at
.08 KWH = \$3.43

Coefficients of Utilization

rc	Effective floor cavity reflectance								20%																								
	80%				70%				50%				30%				10%				0%												
	rw	70	50	30	10	70	50	30	10	50	30	10	50	30	10	50	30	10	50	30	10	0											
RCR																																	
0	89	89	89	89	86	86	86	86	80	80	80	74	74	74	69	69	69	67															
1	81	78	75	72	79	76	73	70	71	68	67	66	64	63	62	61	59	57															
2	75	69	65	61	72	67	63	59	63	60	57	59	56	54	56	53	51	49															
3	69	62	56	52	67	60	55	51	57	52	49	53	50	47	50	47	45	43															
4	64	55	49	45	61	54	48	44	51	46	42	48	44	41	45	42	39	38															
5	59	50	43	39	56	48	42	38	46	41	37	43	39	36	41	37	34	33															
6	54	45	38	34	52	43	38	33	41	36	32	39	35	31	37	33	30	29															
7	50	40	34	29	48	39	33	29	37	32	28	35	31	27	34	30	27	25															
8	46	36	30	26	44	35	29	25	33	28	25	32	27	24	30	26	23	22															
9	42	32	26	22	41	32	26	22	30	25	21	29	24	21	27	23	20	19															
10	39	29	24	20	38	29	23	19	27	22	19	26	22	18	25	21	18	17															

Zonal Lumen Summary

Zone	Lumens	%Lamp	%Fixture
0-30	2328	20.4	26.8
0-40	3875	34.0	44.6
0-60	6359	55.8	73.1
0-90	7651	67.1	88.0
90-180	1046	9.2	12.0
0-180	8697	76.3	100.0

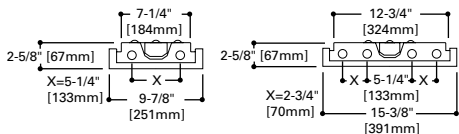
Typical VCP Percentages

Room Size (Ft.)	Height Along		Height Across	
	8.5'	10.0'	8.5'	10.0'
20 x 20	60	65	61	66
30 x 30	53	58	52	57
30 x 60	44	47	38	43
60 x 30	55	59	54	59
60 x 60	45	48	39	44

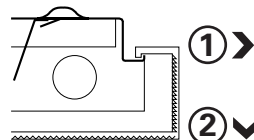
Candela

Angle	Along II	45°	Across ⊥
0	2909	2909	2909
10	2864	2879	2896
20	2718	2788	2851
30	2474	2612	2713
40	2111	2318	2455
50	1368	1565	1403
60	714	800	758
70	413	488	443
80	230	296	481
90	24	152	369
100	27	249	438
110	34	279	397
120	40	214	311
130	43	135	157
140	44	107	118
150	46	83	107
160	43	59	83
170	37	41	46
180	33	33	33

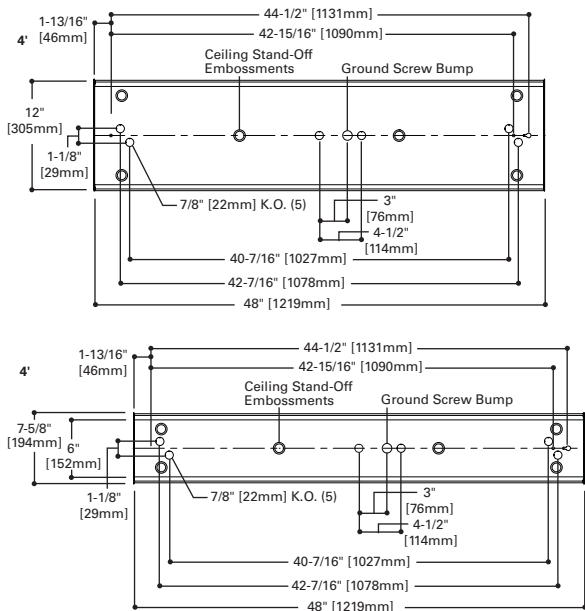
LAMP CONFIGURATIONS



LENS REMOVAL



MOUNTING DATA



For complete product data, reference the Fluorescent Specification binder. Specifications & dimensions subject to change without notice. Consult your Cooper Lighting Representative for availability and ordering information.