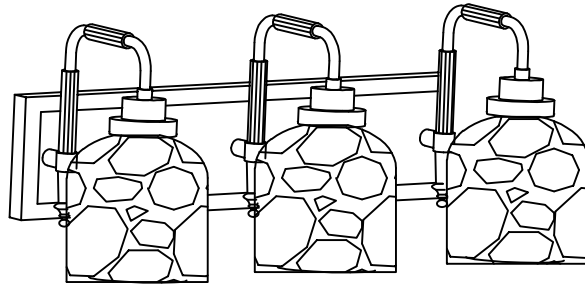


## Installation Instructions



3x Max 60W Candelabra Base

## Safety Information

### READ AND SAVE THESE INSTRUCTIONS

1. For your protection and safety, carefully read and understand the information provided in this manual completely before attempting to assemble, install, or operate this product. Failure to do so could lead to electrical shock, fire, or other injuries that could be hazardous or even fatal.
2. Before touching any wire, use a voltage tester to make sure it is not live.
3. When replacing fuses, turn off the main power first. Make sure your hands and feet are dry, and place one hand behind your back to prevent electricity from making a complete circuit through your chest. Touch the plug fuse only by its insulated rim. Remove cartridge fuses with a fuse puller.
4. Use tools with insulated handles and ladders made of wood or fiberglass.
5. To protect children, place a safety cover over any unused outlets.



**DANGER:** Before starting installation of this fixture or removal of a previous fixture, disconnect the power by turning off the circuit breaker, removing the fuse at the fuse box, or tripping the breaker that controls that circuit. Tape a sign to the panel warning others to leave the circuit alone while you work.



**CAUTION:** CONSULT A QUALIFIED ELECTRICIAN IF YOU HAVE ANY ELECTRICAL QUESTIONS. If you have any non-electrical questions about this fixture please contact our customer service via the distributor where you purchased this product from. We will be more than happy to assist.

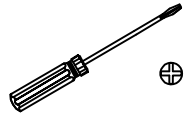
# Pre-Installation

## PLANNING INSTALLATION

Read all instructions before installing.

To avoid damaging this product, place it on a soft, non-abrasive surface, such as carpet or cardboard.

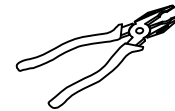
## TOOLS REQUIRED (NOT INCLUDED)



Phillips  
Screwdriver



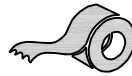
Wire  
Stripper



Pliers

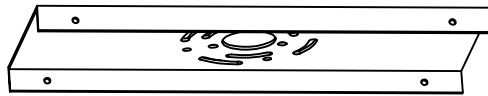


Safety  
Goggles

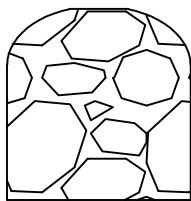


Electrical  
Tape

## HARDWARE INCLUDED



hanging board 1PCS



glass 3PCS



screw 4PCS



A-3PCS



D-2PCS



B-3PCS



E-1PCS



C-3PCS

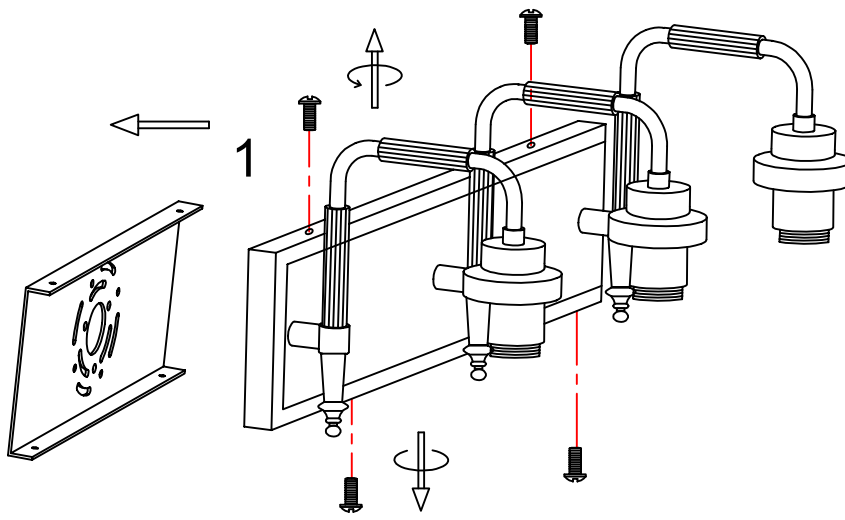


F-2PCS

## Safety Warning

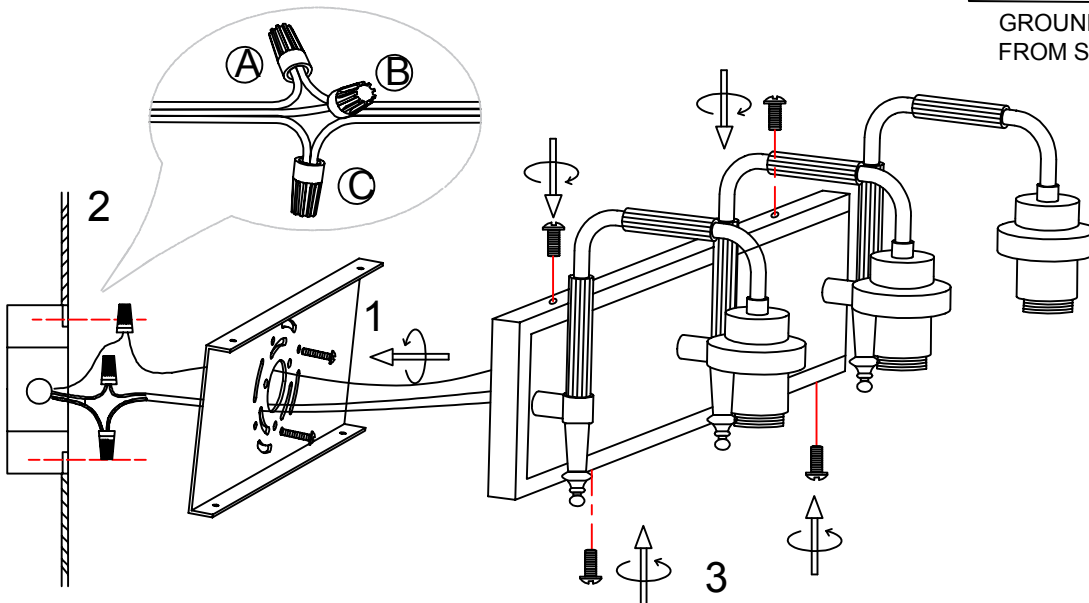
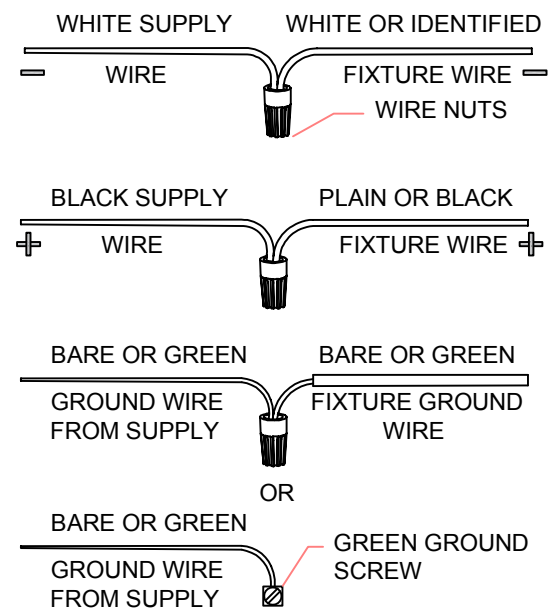
Read wiring and grounding instruction and any additional directions. Turn power supply off during installation. If new wiring is required, consult a qualified electrician or local authorities for code requirements.

1



1. Loosen the screws and remove the hanging board

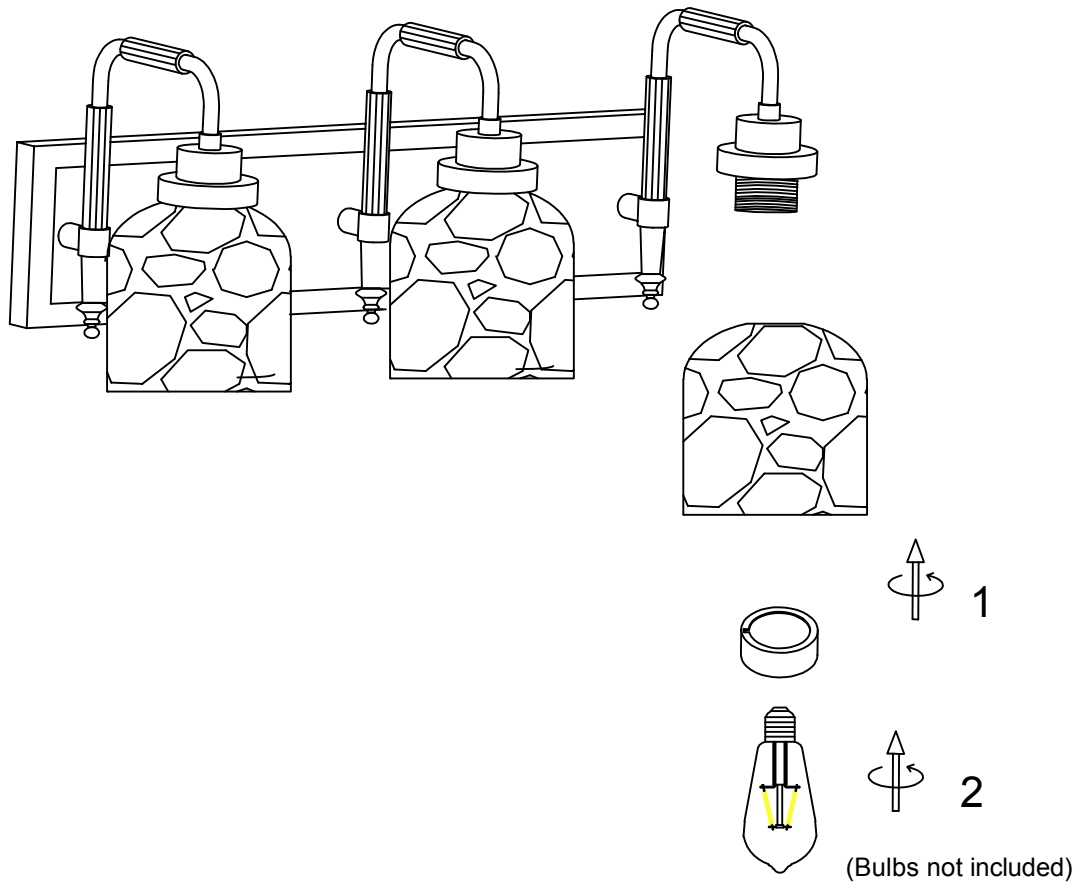
2



1. Install the hanging board on the wall junction box

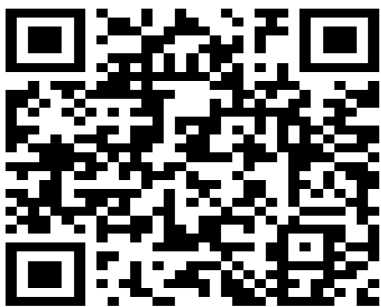
2. Connect the wires to the home circuit and distinguish between positive and negative

3. Align the lamp body with the hanging plate for installation, and fix it with screws



1. Unscrew the lamp holder ring and use it to secure the glass to the lamp holder
2. Twist the light bulb onto the lamp head

Thank you for choosing our product! If you have any questions about the installation of the lighting fixtures , please use the corresponding application on your smartphone to scan the QR code and watch the installation video.



MH CH020339

E26 SocketMax .  
60W Bulbs (not  
included)