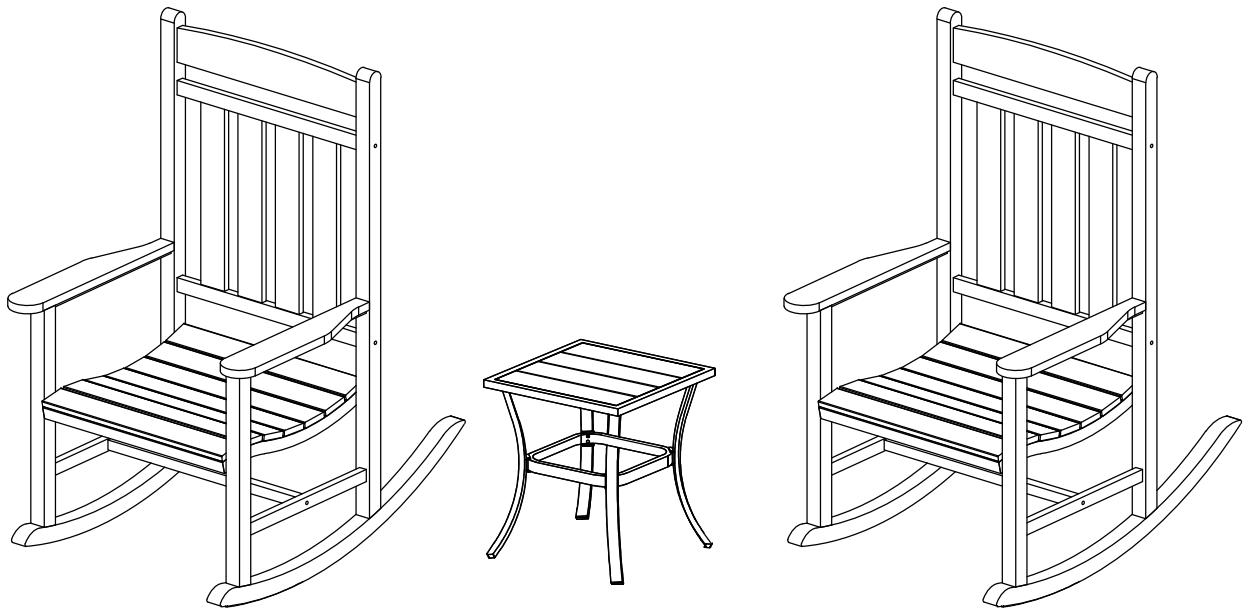




# Outdoor Rocking Chair set of 3 **ASSEMBLY MANUAL**

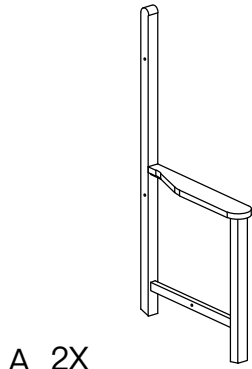


**MODEL#:LCCZ8058A-ST**

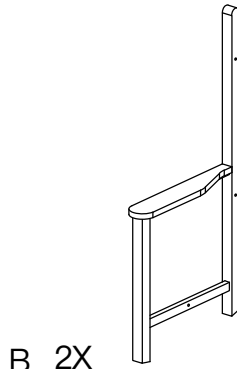
Missing part? Damaged? Contact us via email at

[service@domioutdoorliving.com](mailto:service@domioutdoorliving.com)

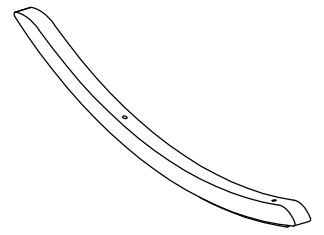
[www.domioutdoorliving.com](http://www.domioutdoorliving.com)



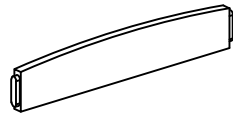
A 2X



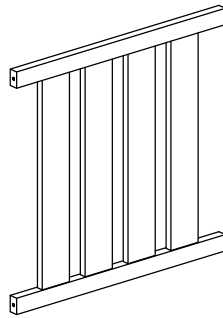
B 2X



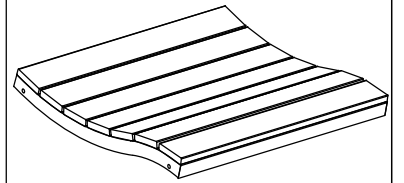
C 4X



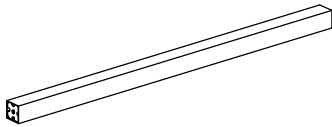
D 2X



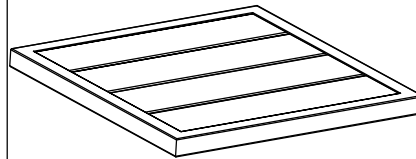
E 2X



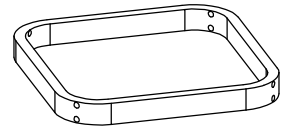
F 2X



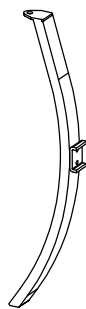
G 2X



H 1X



I 1X

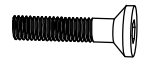


J 4X



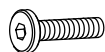
M6X55

K 16X



M6X40

L 12X



M6X22

M 8X



M6X16

N 4X



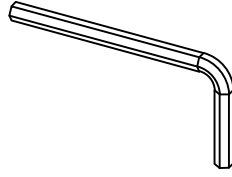
D6

O 12X



D6

P 12X

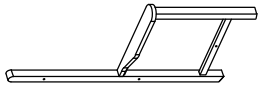


Q 1X

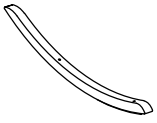


**READ & SAVE BELOW INSTRUCTIONS BEFORE ASSEMBLY**

1. PLEASE SEPARATE AND IDENTIFY ALL PARTS, MAKING SURE THAT YOU HAVE ALL OF THE PARTS LISTED.
2. TO AVOID ANY SCRATCH DURING ASSEMBLY, PLEASE ASSEMBLE ON A SOFT MAT OR SIMILAR.
3. PLEASE ASSEMBLE STEP BY STEP AND FOLLOW THE INSTRUCTIONS.
4. WASHERS MUST BE USED.
5. WHILE EACH SCREW AND NUT IS PROPERLY FASTENED, DO NOT OVER FASTEN IT.
6. DO NOT COMPLETELY FASTEN EACH SCREW AND NUT UNTIL ALL THE SCREWS ARE PROPERLY FIXED.



A 1X

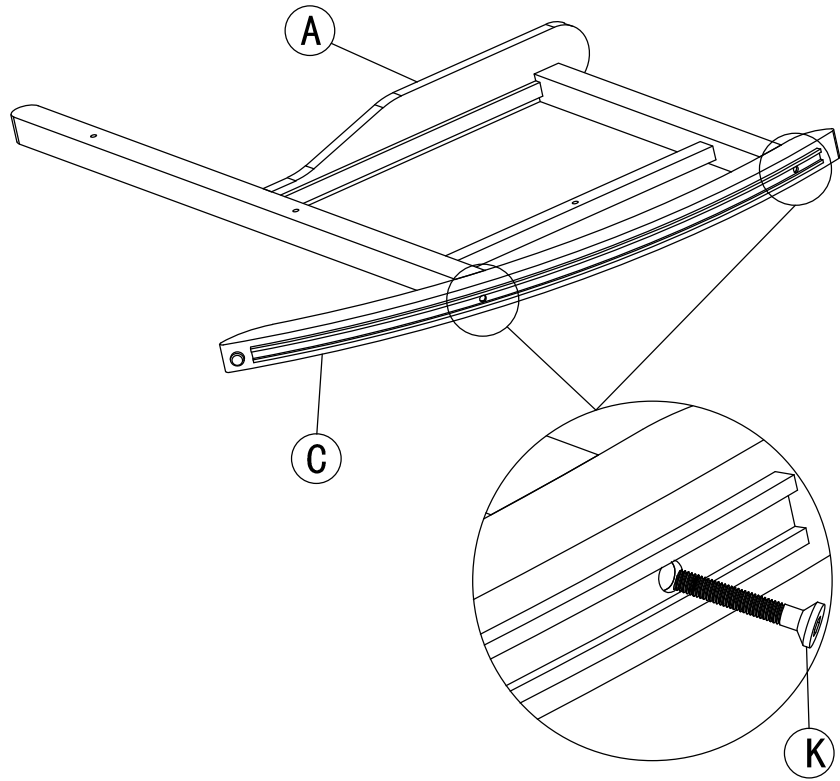


C 1X

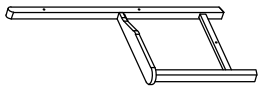


K M6X60 2X

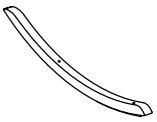
# Right Arm Assembly



Step1



B 1X

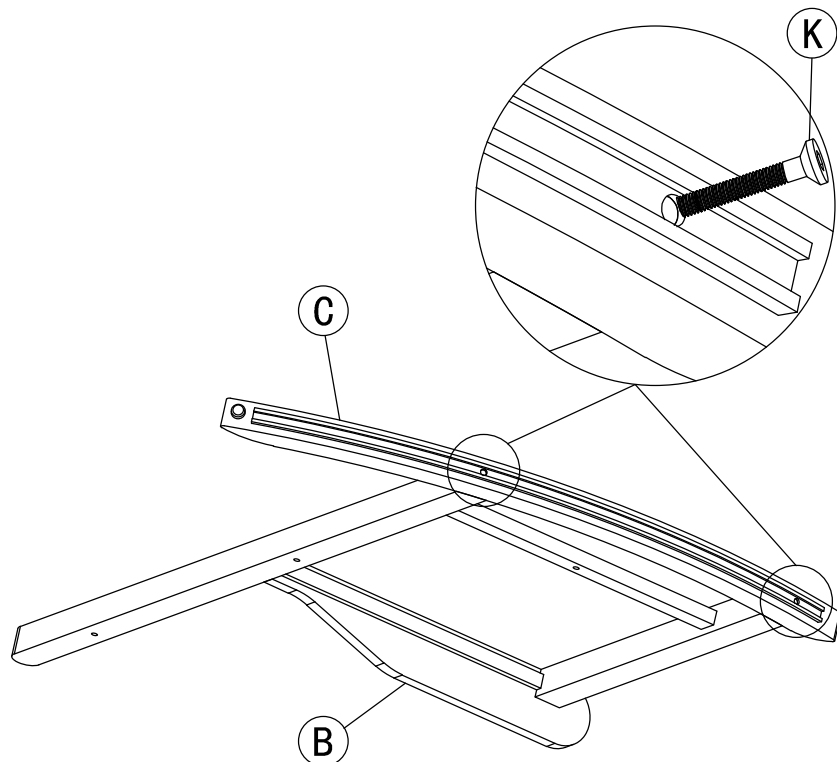


C 1X

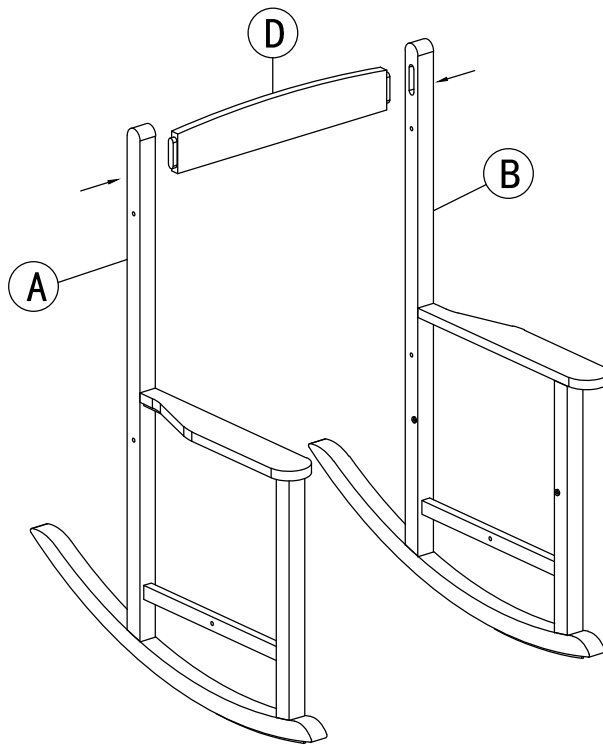
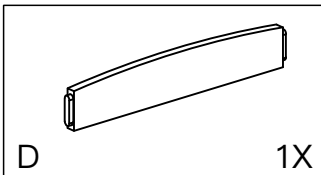


K M6X60 2X

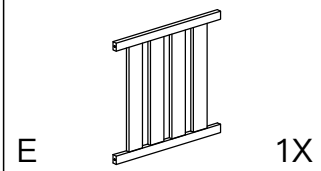
# Left Arm Assembly



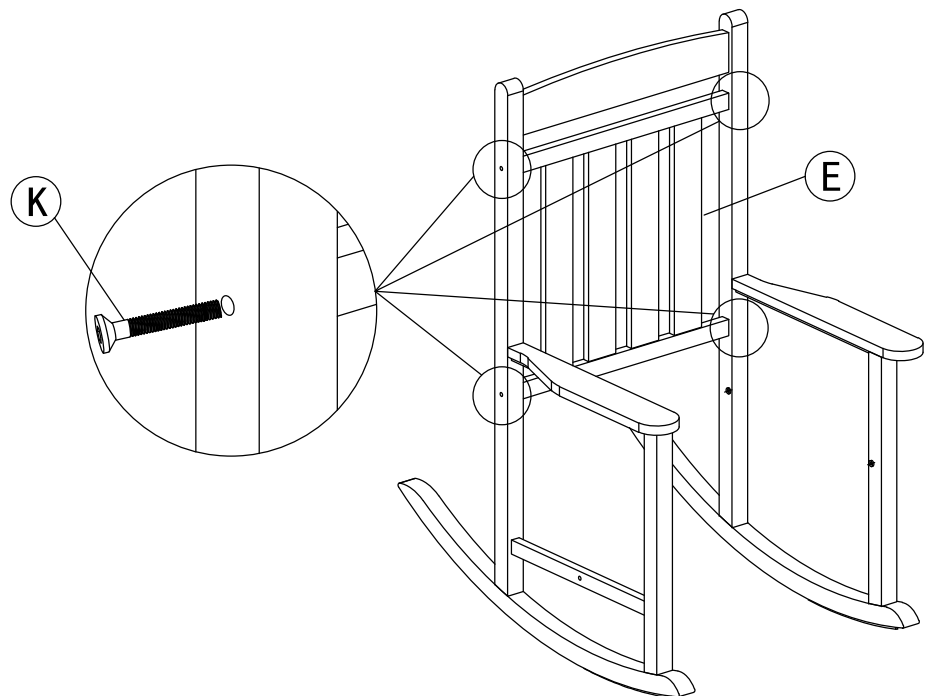
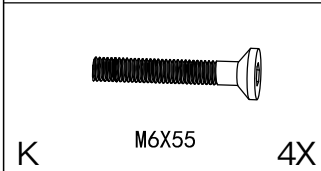
Step2



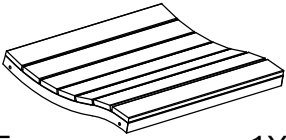
Step3



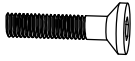
**DO NOT COMPLETELY FASTEN EACH SCREW UNTIL ALL THE SCREWS ARE PROPERLY FIXED.**



Step4



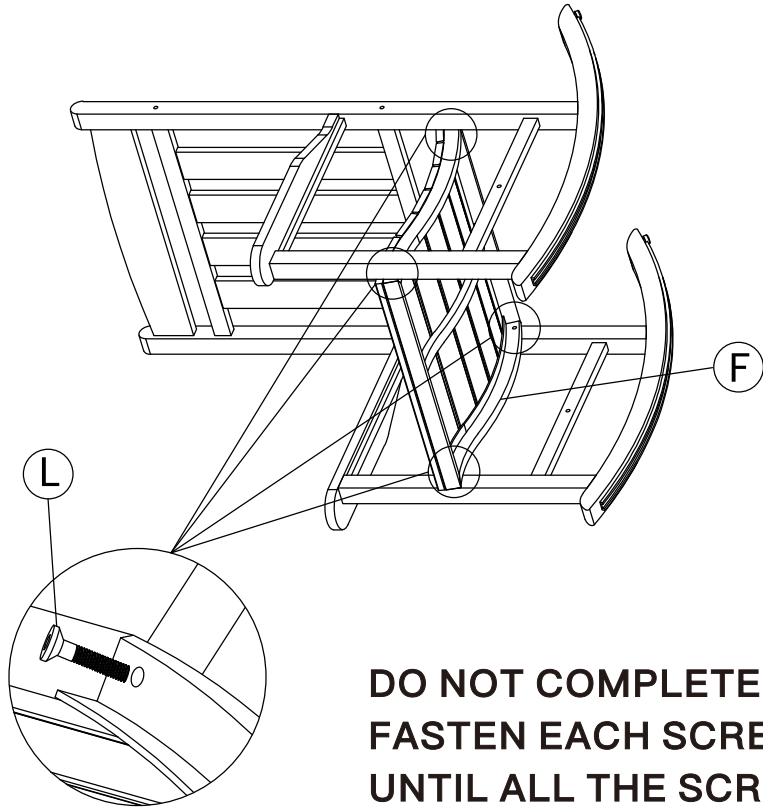
F 1X



M6X40

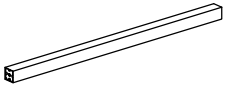
L 4X

## Seat Assembly

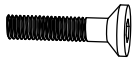


Step5

**DO NOT COMPLETELY  
FASTEN EACH SCREW  
UNTIL ALL THE SCREWS  
ARE PROPERLY FIXED.**



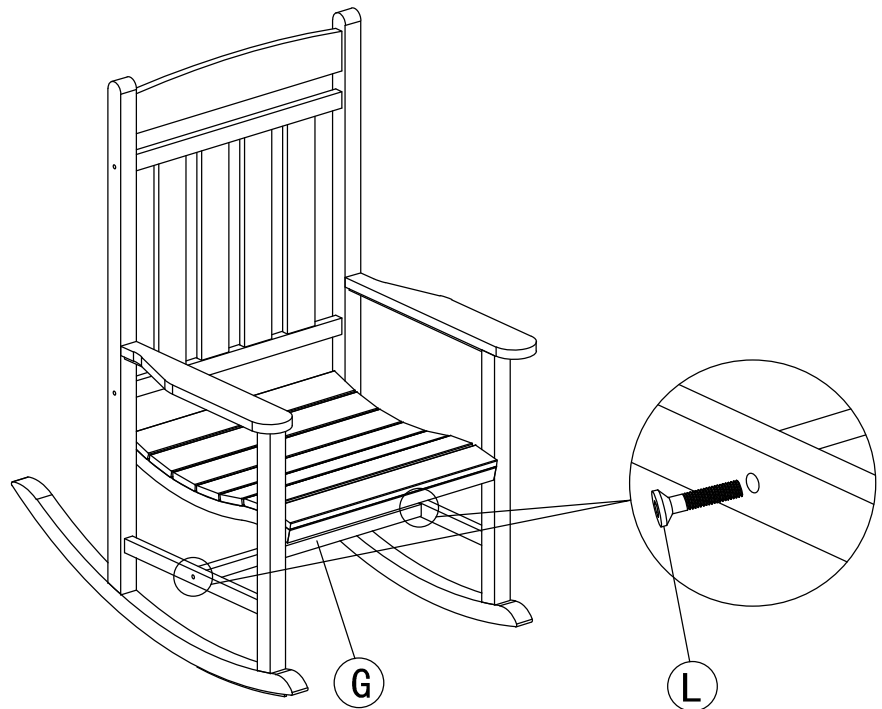
G 1X



M6X40

L 2X

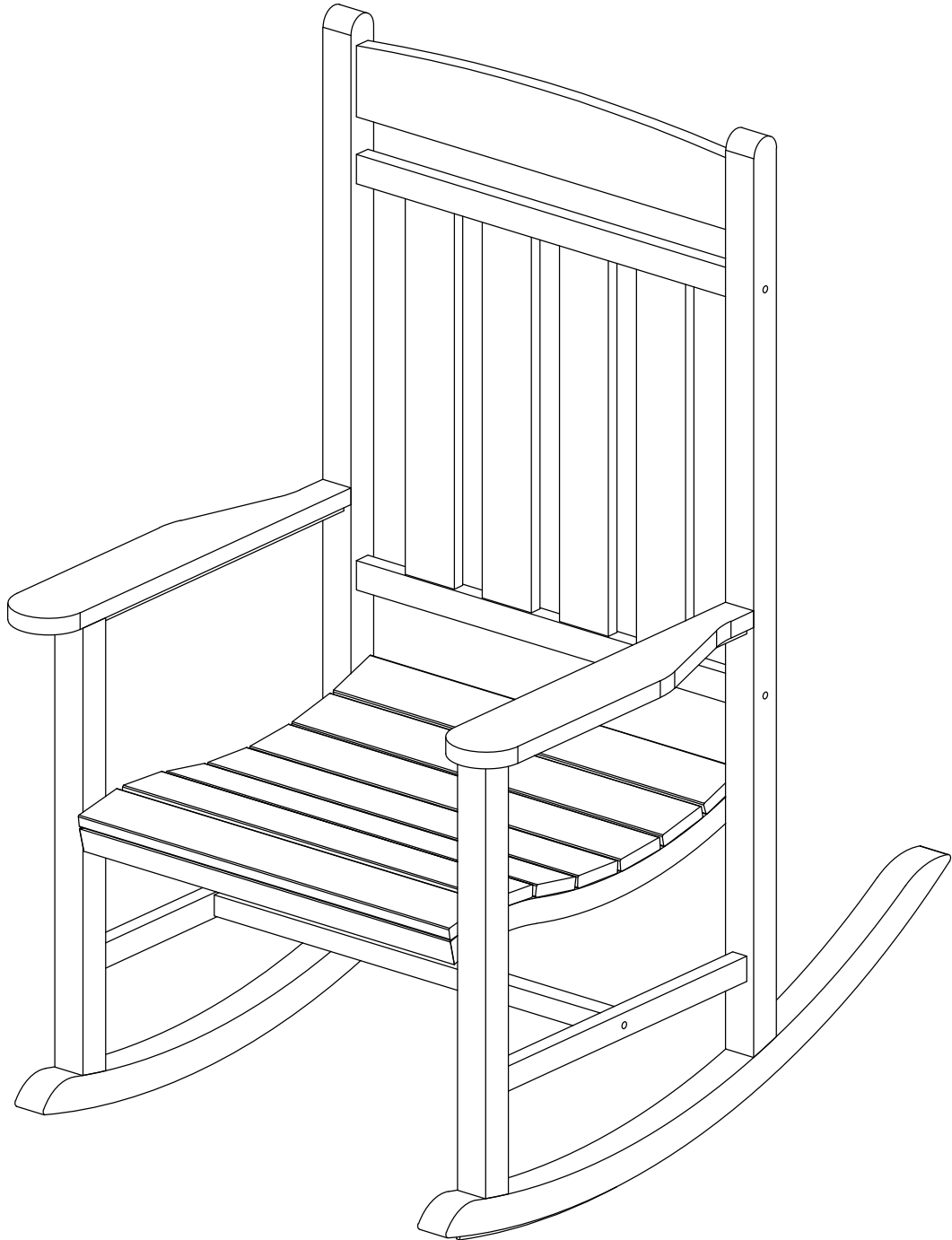
## Support Tube Assembly



5  
Step6

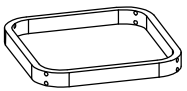

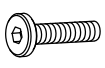
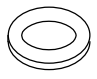
## Step7

Repeat the above procedures to assemble another chair.

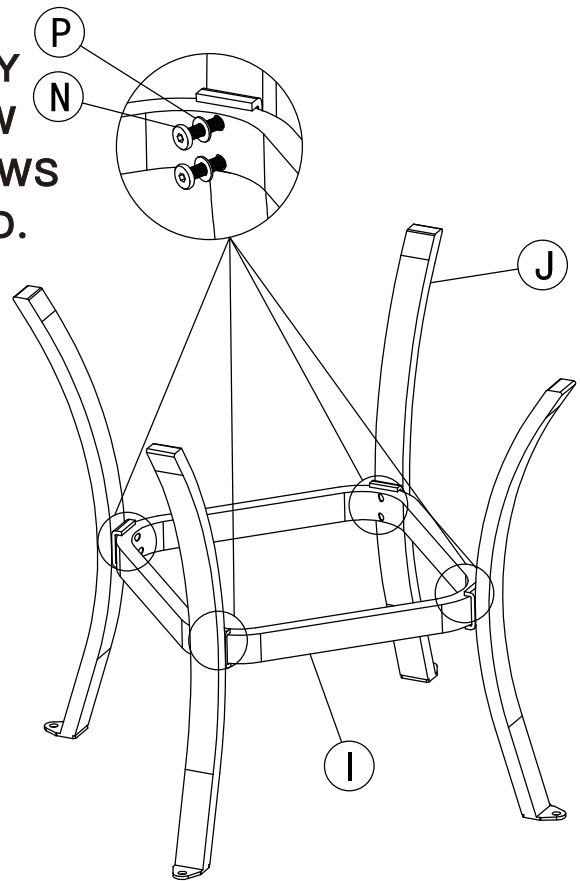


Tighten all the Screws into place.

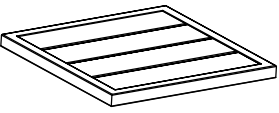
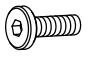
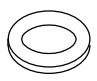
**NOTE: IF ANY SCREW HOLES CANNOT BE ALIGNED, LOOSEN ALL THE SCREWS AND GO BACK STEP 4 AND RESTART ASSEMBLY.**

I		1X
J		4X
N	 M6X22	8X
P	 D6	8X

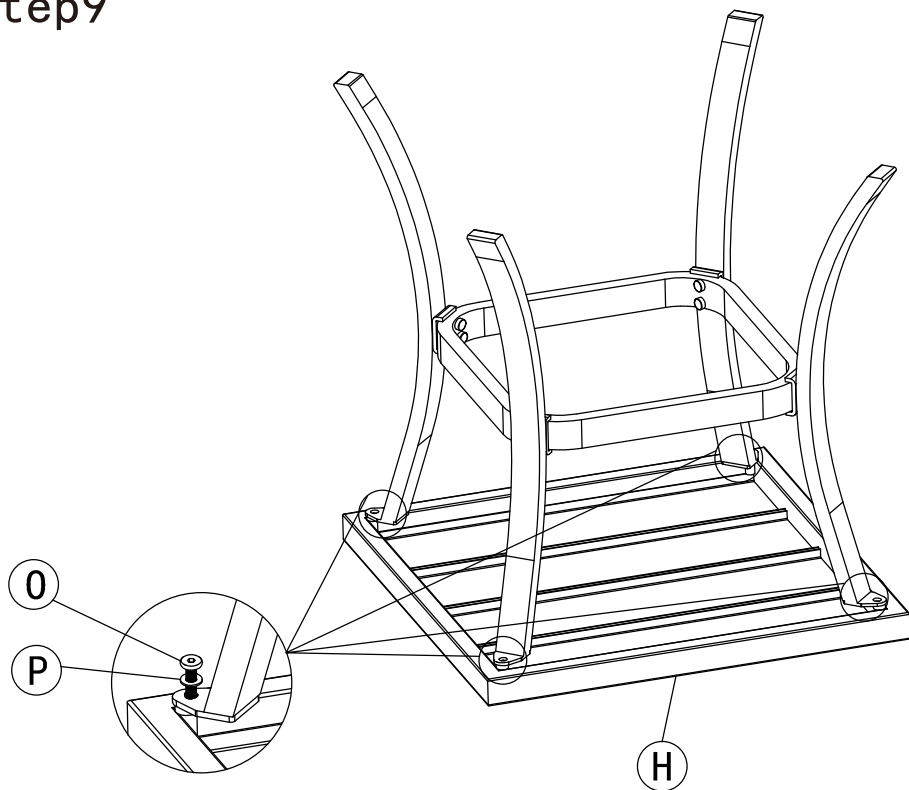
**DO NOT COMPLETELY FASTEN EACH SCREW UNTIL ALL THE SCREWS ARE PROPERLY FIXED.**



**Step8**

H		1X
O	 M6X16	4X
P	 D6	4X

**Step9**



**DO NOT COMPLETELY FASTEN EACH SCREW UNTIL ALL THE SCREWS ARE PROPERLY FIXED.**

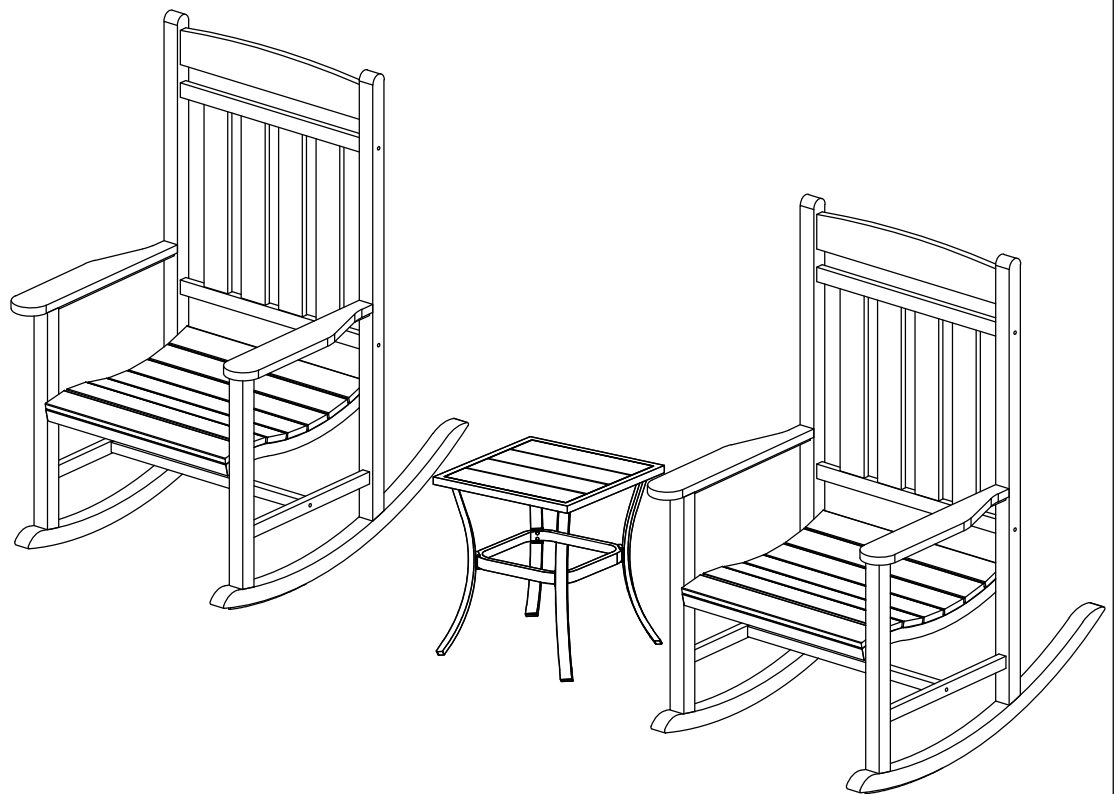
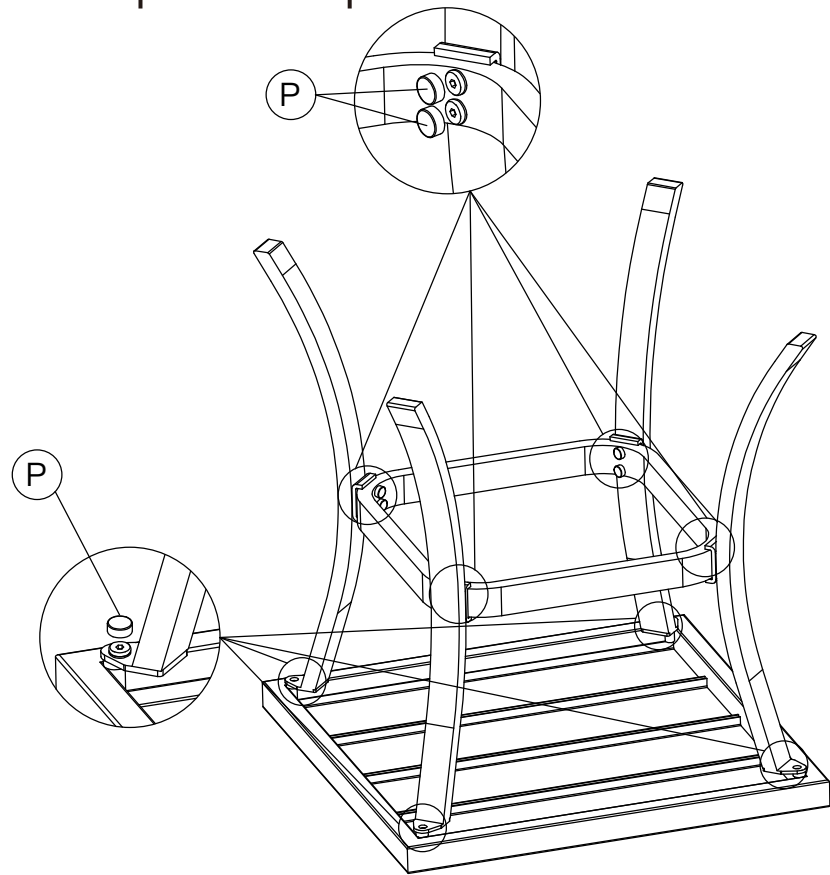


D6

P

12X

Put on the plastic caps.





## Thanks for your purchase.

At domi outdoor living, we believe in our products.

That's why we provide a 12-month warranty and friendly, easy-to-reach after-sales service. So, if you have any questions about our product or assembly, please feel free to contact us. We are here for you.

**Support:**  

**After-sales contact email:**

[service@domioutdoorliving.com](mailto:service@domioutdoorliving.com)

**Business cooperation contact email:**

[marketing@domioutdoorliving.com](mailto:marketing@domioutdoorliving.com)

Please have your order ID available if you reach out for support.

If you have damaged parts or product, please send us photos for an immediate response.