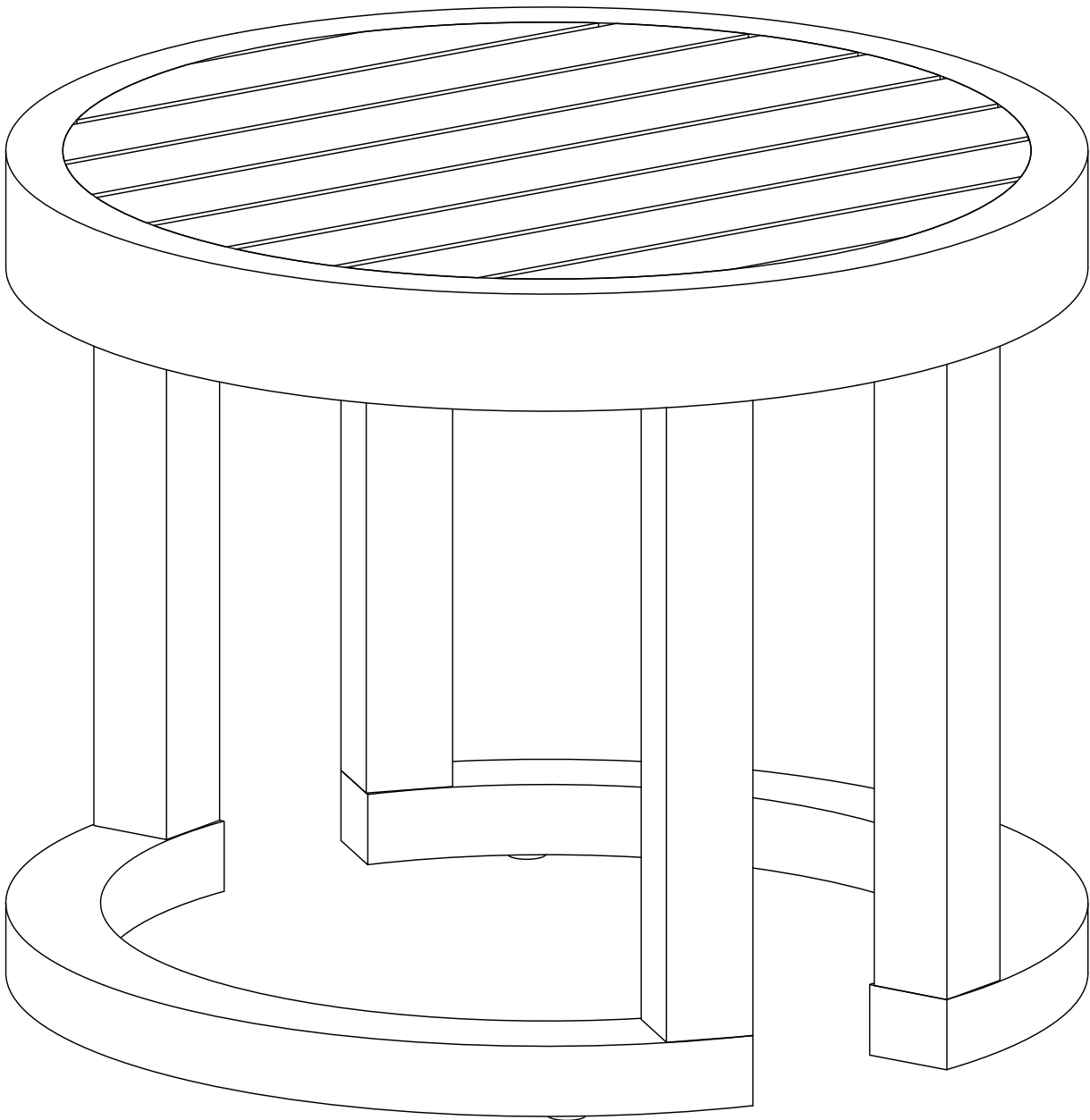


Assembly Instructions

Caution : You must read these Assembly Instructions before you proceed.

Please look under the Table Top for hardware packs.

SIDE TABLE

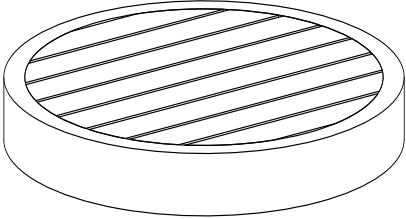


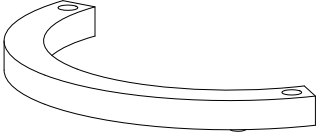


CAUTION : This Table is NOT a TOY.

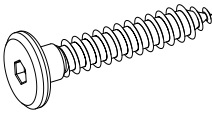
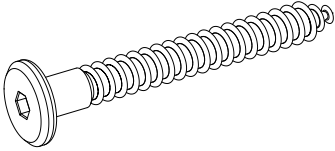

Keep your child / children at bay in the process of assembly.

For turning the Table and to prevent damage to the Table, 02 persons may be needed to execute this action.

Parts List

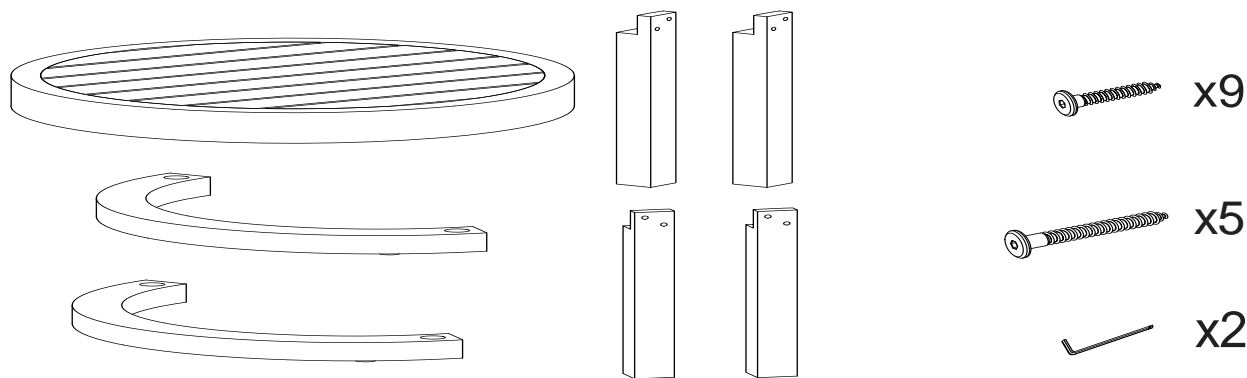
Label	Picture	Description	QTY
A		Table Top	1
B		First Leg	2
C		Second Leg	2
D		Support Leg	2

Hardware

Label	Picture	Description	QTY
①		Screws (M6x35x13mm)	9
②		Screws (M7x60x15mm)	5
③		Allen Wrench (K4)	2

Assembly Preparation

Before Beginning Assembly:



• Read instructions, cover to cover-



• Have 2 adults on hand for assembly-



• Do not assemble on flooring or carpet-



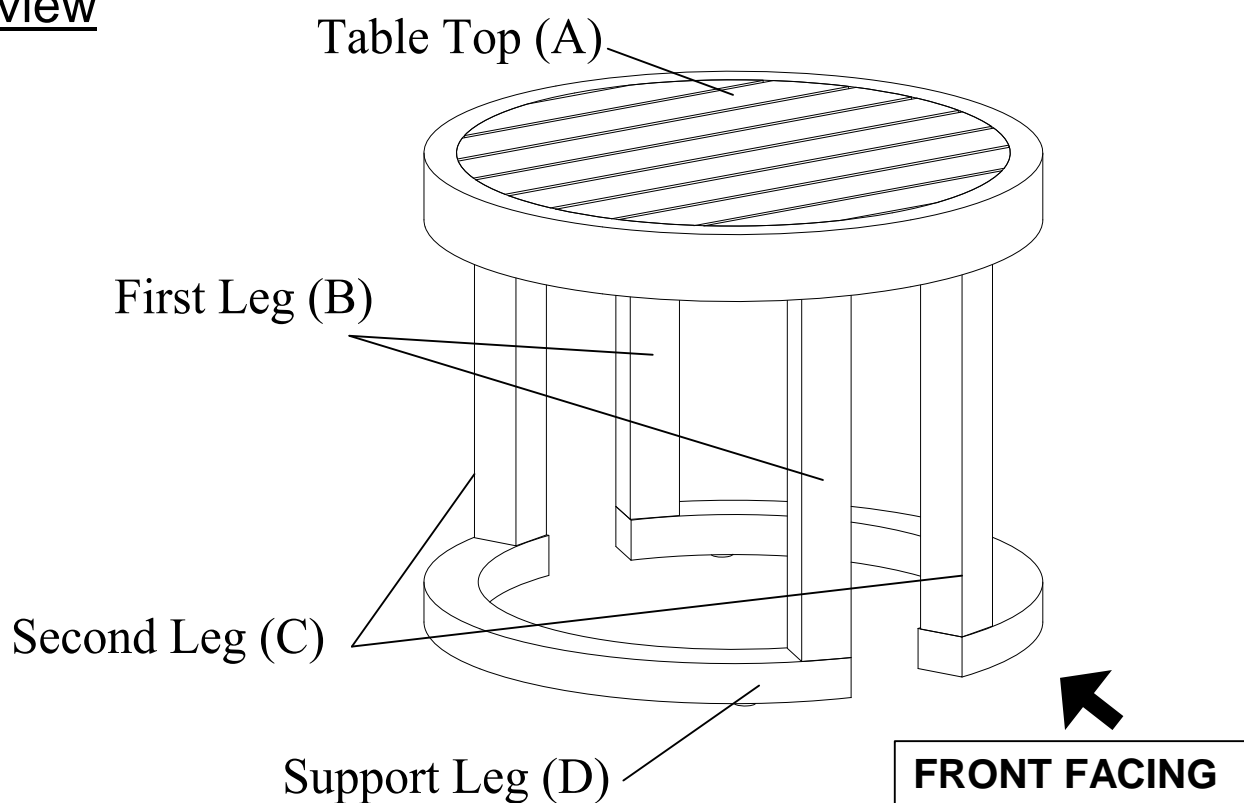
• Assemble on a clean non-marring surface (packing foam)-



• Save all packaging until finished-

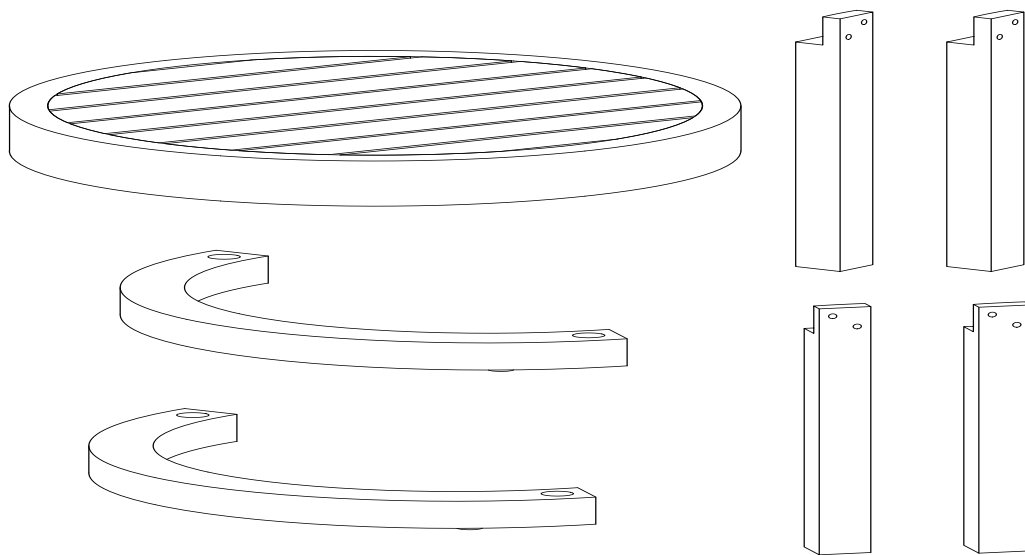
Assembly Steps

Overview



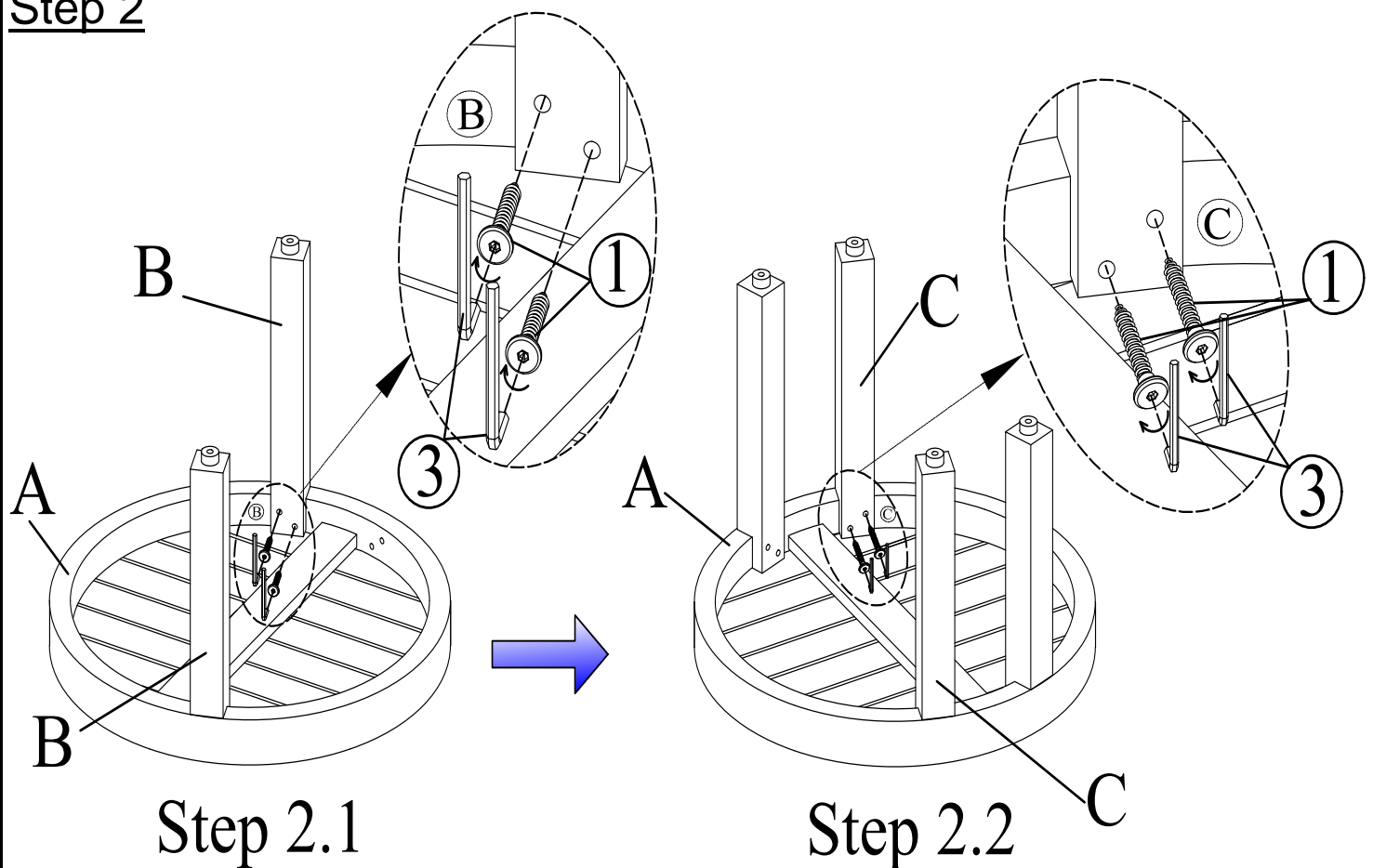
This Table has multiple parts and may require up to 15 minutes to assemble. To give you an overview of the Table parts, the above picture is to help you put the various parts into perspective. Please read through the instructions below to familiarise yourself with the parts and steps before assembly.

Step 1



Unpack and place all parts on a clean, non-marring surface.

Step 2



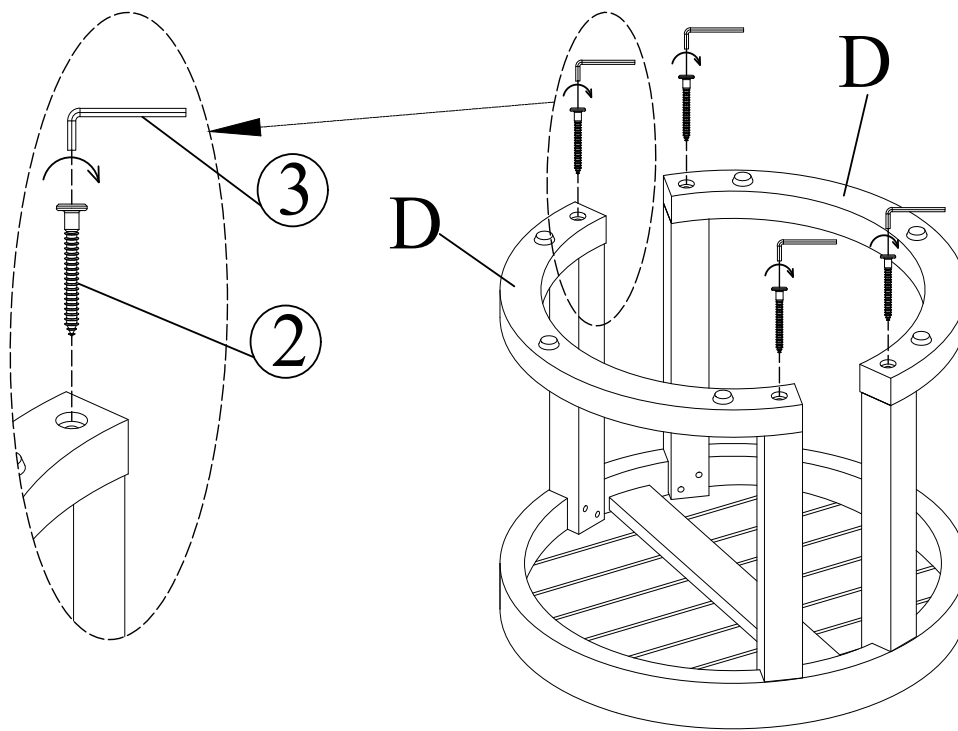
With assistance from your adult partners, carefully place the Table Top (A) facedown on a clean, non-marring surface.

2.1 Attach the First Legs (B) in the position labelled B of the Table Top (A) using Screws (①) and the Allen Wrench (③) as shown above.

2.2 Attach the Second Legs (C) in the position labelled C of the Table Top (A) using Screws (①) and the Allen Wrench (③) as shown above.

DO NOT FULLY TIGHTEN THE SCREWS.

Step 3

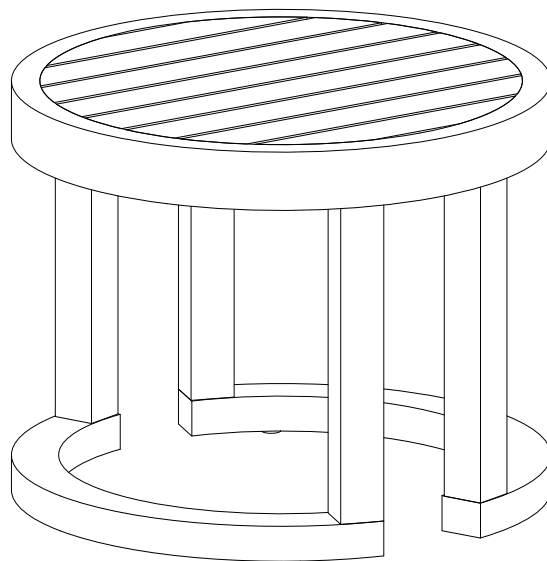


Attach the Support Leg (D) to the assembled parts in step 2 using Screws (②) and the Allen Wrench (③) as shown above.

Repeat the same process with the remain Support Leg (D).

DO NOT FULLY TIGHTEN SCREWS.

Step 4



Turn the Table right side up.

EXERT pressure, floorwards, onto the Table.

This pressure will help the Legs and Table Top reach alignment at all joints.

Check for wobbles.








In a sequential manner, gradually tighten all Screws until evenly secured.

Inspect the Table and make sure all parts are adequately connected.

Your Table is ready for use.

This Table can only be used on a flat, level surface.

Care & Maintenance

-  Do not put hot items directly on furniture surface
-  Do not clean furniture with harsh cleansers or polish.
-  To obtain the longest lifespan of your outdoor products, minimizing exposure to direct sunlight is recommended.
-  Children should not climb or jump on the furniture.
-  Do not write on furniture without a padded barrier to protect the surface.
-  To obtain the longest lifespan of your outdoor products, avoid extended and lengthy exposure to rain, snow, and direct sunshine. Whenever possible cover the product and /or place under patio or awnings.
-  Not for commercial use. For residential use only .
-  Stains may be removed with mild soap solution and damp cloth.
-  Dust and pick-up spills using a clean, non-colored, lint-free cloth.