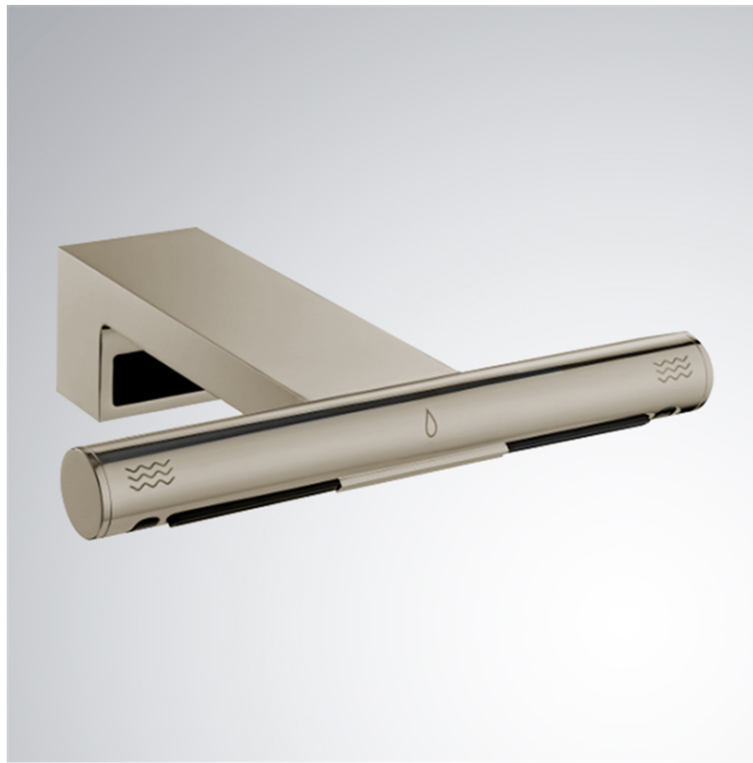


Fontana Vicenza Automatic Touchless Integrated Wall Mount Sensor Faucet with High Speed Hand Dryer



PRIOR TO INSTALLATION

Please read installation instructions below. All plumbing should be installed in accordance with applicable building codes and regulations.

Unpack and inspect the items for any shipping damages. If you find damages, do not install.

All products must be installed by a professional and certified plumber otherwise warranty may be voided.

POSSIBLE TOOLS REQUIRED*



Plumbers Tape



Tape Measure



Level



Adjustable Wrench



Hex Wrench



Thread Sealant



Drill



Pencil or Marker



Screwdriver

*not included

Electrical

Voltage	AC220-240V	Water Splash Proof	IP24
Frequency	50/60Hz	Insulation class	Class II
Total Power	1200W	Motor	Digital brushless DC motor
Air Speed	95m/s	Max Altitude	2000m
Drying time	10-15s	Heater type	Automatic
Max drying time	30s	Starting system	Infrared induction
Operating temperature range	0-40°C	Sensing distance	5-12cm (automatic regulation)

Tap

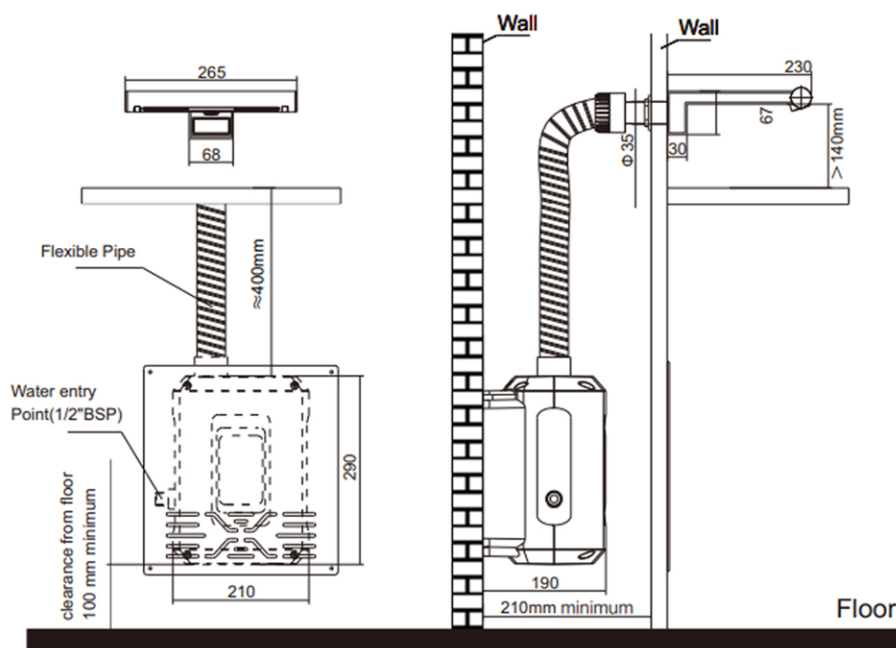
Mounting	Wall mounted	Inlet connection	G1 /2"
Operating temperature range	5-65°C	Max water outlet time	60S
Water pressure required	1-6Bar	Type of tap power	AC circuit

Material and other data

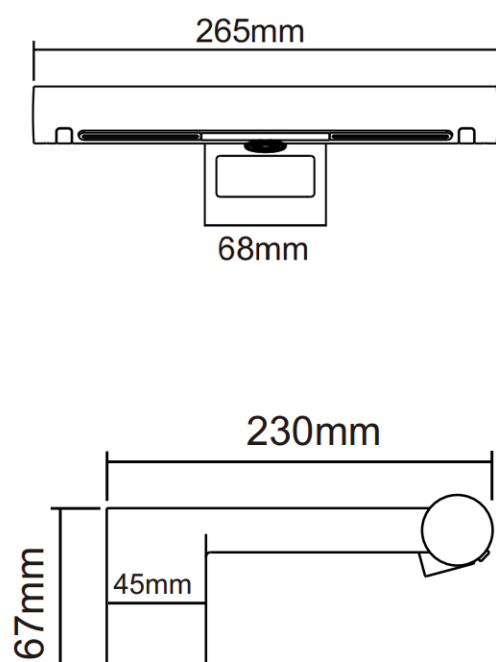
Body Material	Chrome Plated Brass	Tap surface	Multi-layer plating
Motor bucket cover	ABS	Air outlet material	ABS+PC
Filter material	Glass Fibreglass	Filter rating	HEPA(H13)
Tap Dimensions(mm)	265Wx67Hx230D	Motor bucket Dimensions(mm)	210Wx290Hx190D
Pipe length	400mm	Opening hole diameter	Ø35mm
Unfitted sink	Highly polished surfaces (This may cause self-induction)	Min sink depth	100mm

Specifications

Body Material: Hpb59-1 solid brass
 Voltage: 220-240 V
 Frequency: 50/60 Hz
 Total Power: 800 W
 Motor Type: Digital Brushless DC Motor
 RPM: 60000
 Electrical Isolation: Class II
 Hot & Cold Switch: No
 Current: 3.5 A
 Air Speed: 95 m/s
 Dimensions: 265*67*230 mm (W*H*D)
 Filter: HEPA(13)
 Air Temperature (10 cm distance/ 21 °C): 33°C
 Net Weight: 5.8 Kgs
 Water Splash Proof: IP24
 Auto Cutoff: 30



All dimensions shown in mm



All dimensions and specifications are nominal and may vary. Use actual products for accuracy in critical situations.

Peculiarities:

Combines an automatic faucet and hand dryer so you can wash and dry your hands in the sink, made from high quality solid brass.

2 sheets of air are used to wipe water from the hands into the sink. There are no drops on the floor. No additional floor space required for hand drying and washing.

Eco-efficient high-speed hand drying in the simplest and most elegant format.

Great for bathrooms with little wall space, the air faucet hand dryer is simple yet elegant and attaches directly to the wall

The ability to dry over the sink helps minimize toilet cleanup and prevents slipping as it eliminates water spray on the floor.

The Air Faucet is an economical alternative to traditional Hand Dryer designs, utilizing otherwise overlooked space above the sink. This saves valuable wall space while allowing you to use that area for other items.

The use of no touch technology provides a more hygienic hand drying solution.

Equipped with a HEPA antibacterial filter to ensure that the air used to dry your hands is as clean and hygienic as possible.

Low Noise with Smart Air Outlet Design - Airflow direction and speed have been carefully tuned to ensure no excess splash or overspray is created and therefore works with a huge range of sinks.

The brushless carbonless motor ensures a very long service life of up to 7-10 years.