

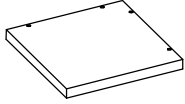
# Outdoor Kitchen Shelves

SKU: LTFA5268



# parts and components

---



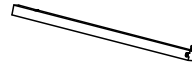
① 1X

Aluminum Worktop



② 2X

Aluminum Legs



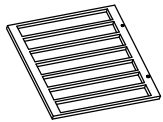
③ 2X

Aluminum Legs



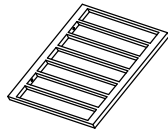
④ 2X

Aluminum Shelf



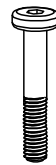
⑤ 1X

Aluminum Shelf



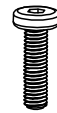
⑥ 1X

Aluminum Shelf



M6X55

⑦ 6X



M6X18

⑧ 24X



D6

⑨ 30X

Stainless Steel Washers



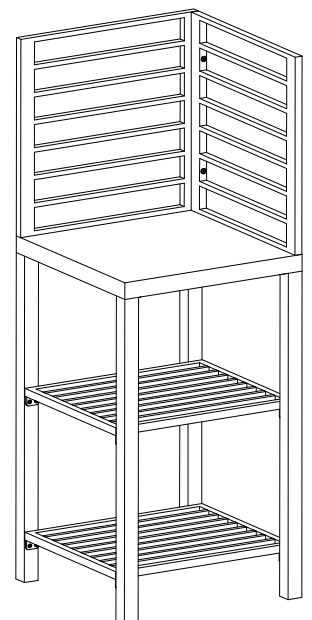
⑩ 1X

Hex-L Key

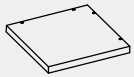


⑪ 1X

Protective Cover

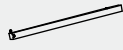


# Step 1



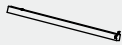
① 1X

Aluminum  
Worktop



② 2X

Aluminum  
Legs



③ 2X

Aluminum  
Legs



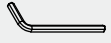
M6X18

⑦ 8X



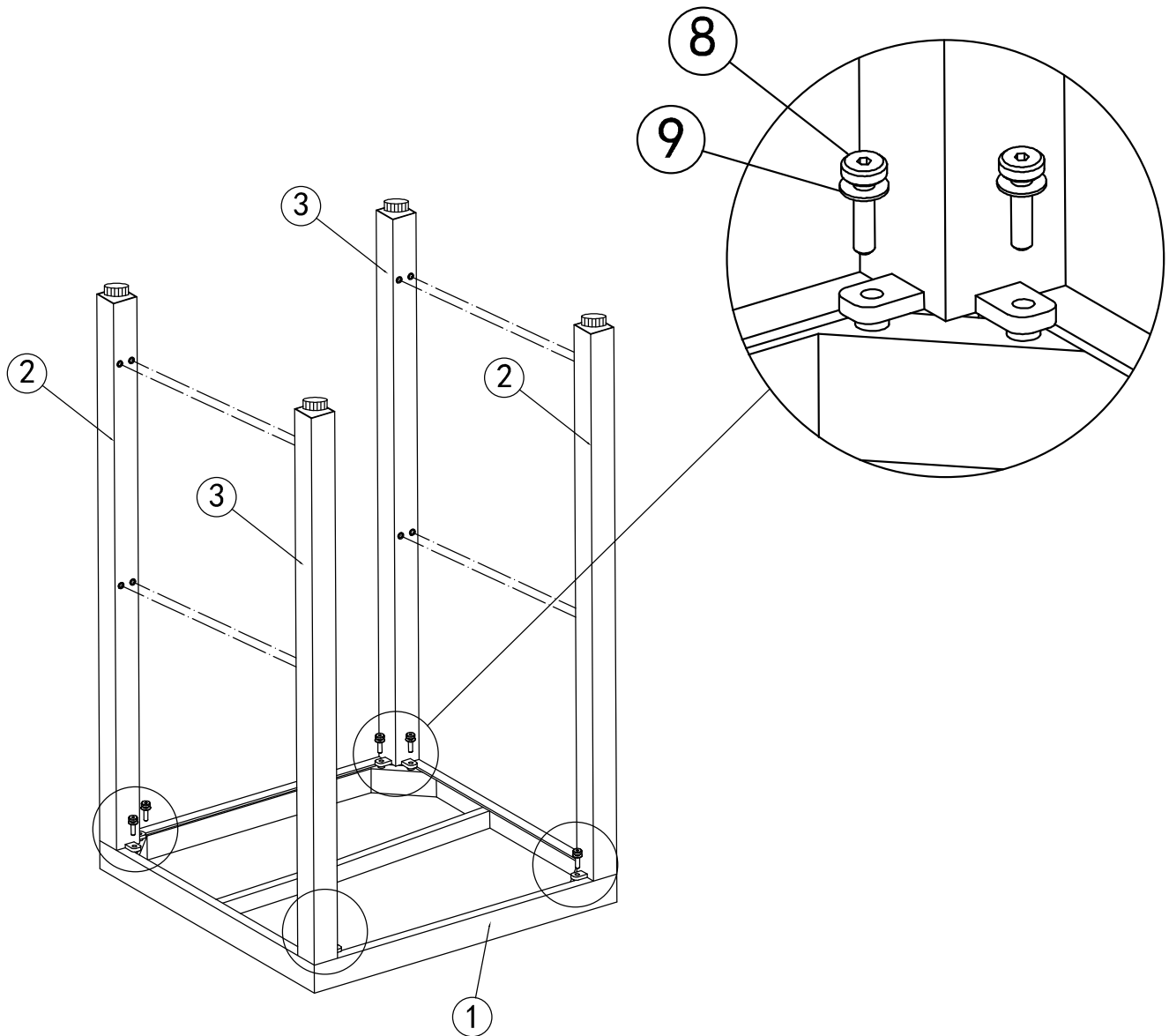
⑧ 8X

Stainless Steel  
Washers



⑨ 1X

Hex-L Key



## Step 2



④ 1X

Aluminum Shelf



⑦ 8X



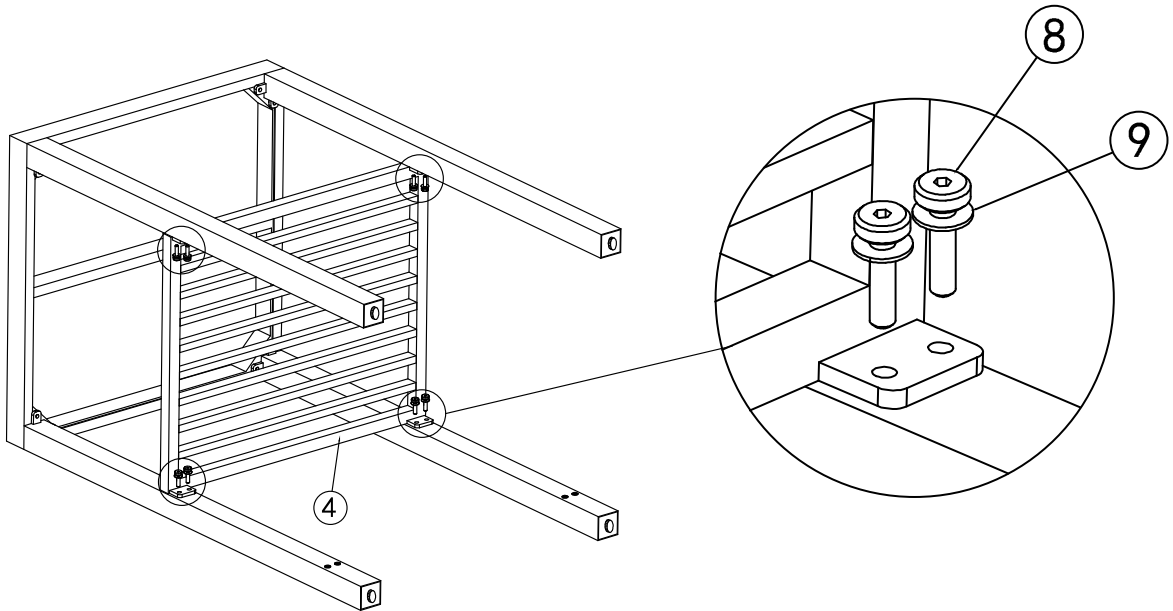
⑧ 8X

Stainless Steel  
Washers

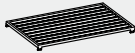


⑨ 1X

Hex-L Key



## Step 3



④ 1X

Aluminum Shelf



⑧ 8X



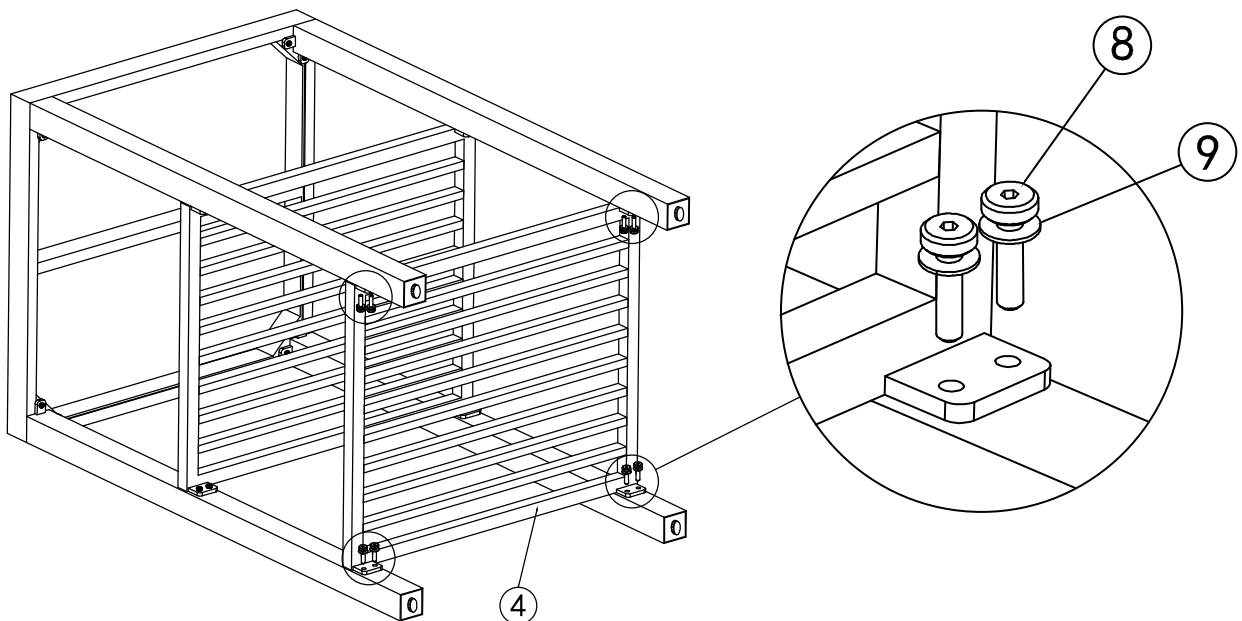
⑨ 8X

Stainless Steel  
Washers



⑩ 1X

Hex-L Key



# Step 4



⑤ 1X

Aluminum Shelf



M6X55

⑦ 2X



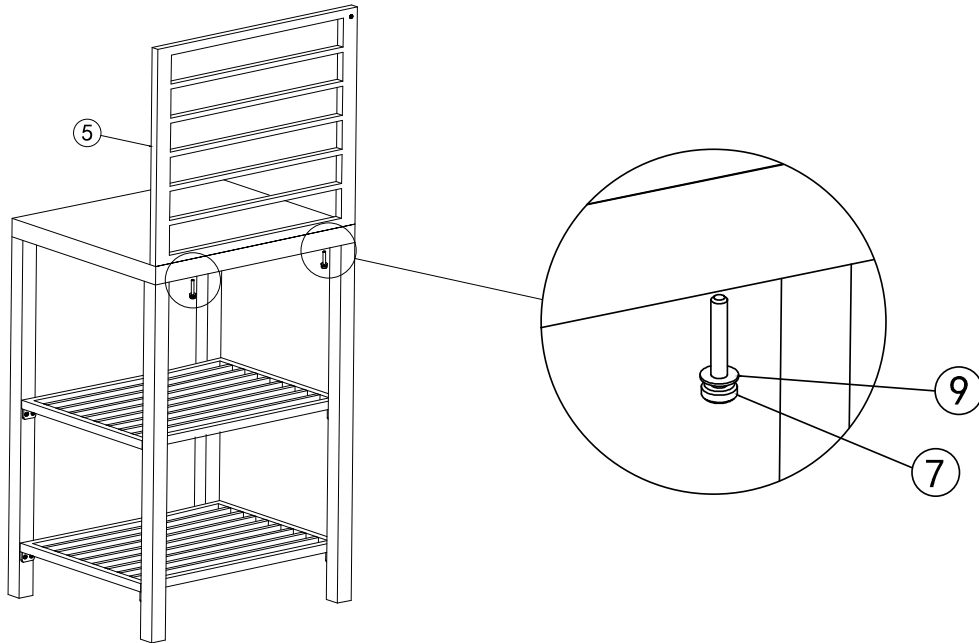
⑨ 2X

Stainless Steel Washers



⑩ 1X

Hex-L Key



# Step 5



⑥ 1X

Aluminum Shelf



M6X55

⑦ 2X



D6

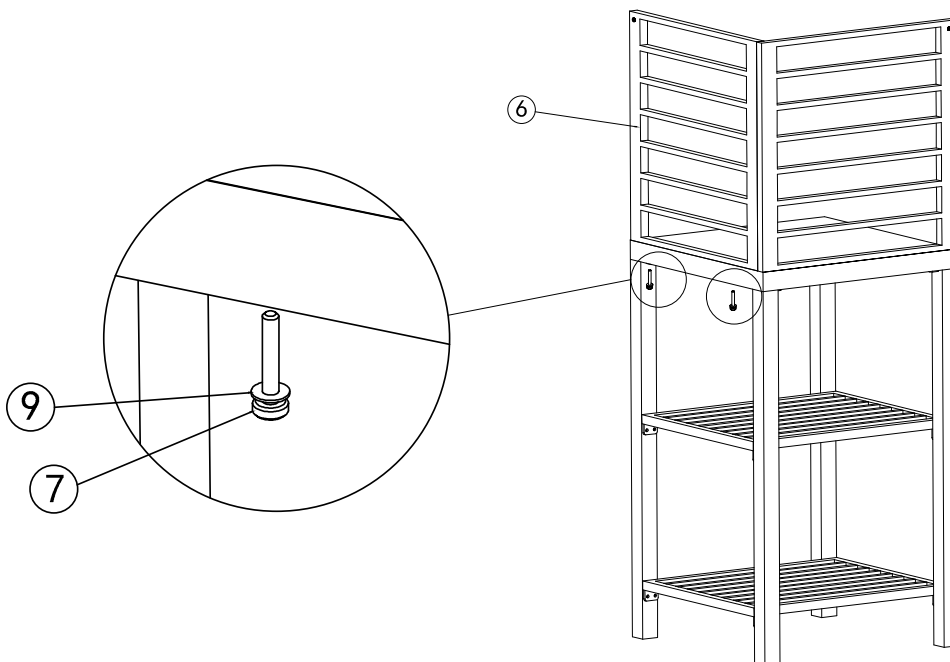
⑨ 2X

Stainless Steel Washers

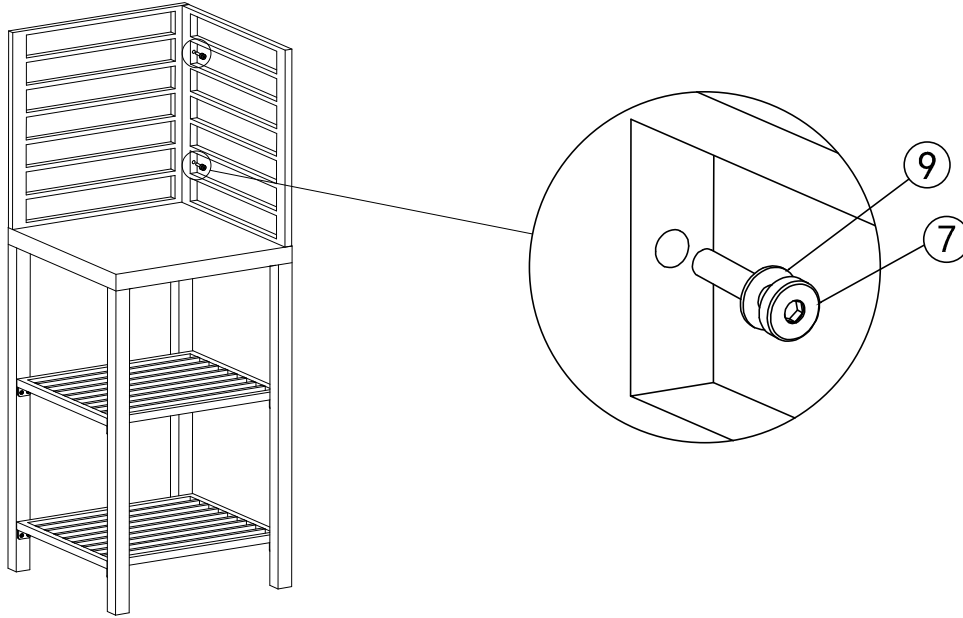
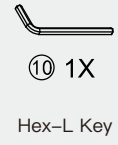
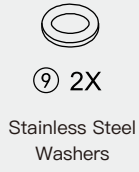
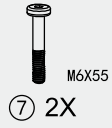


⑩ 1X

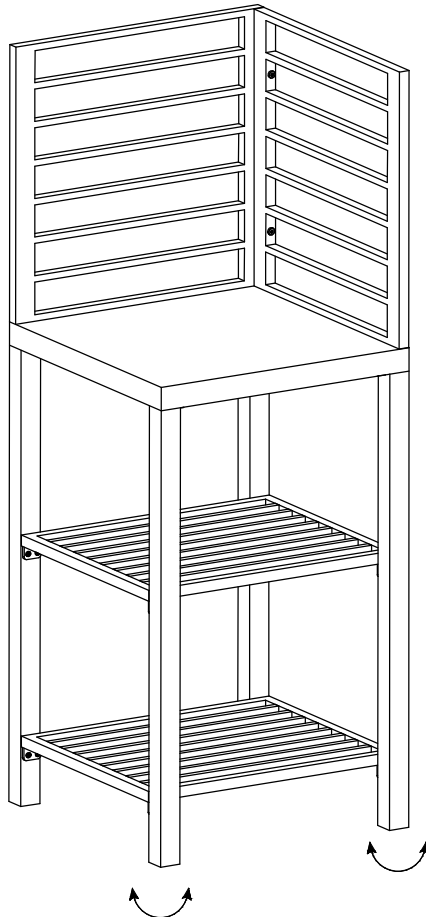
Hex-L Key



# Step 6



# Step 7



# about the outdoor kitchen series

---

We created the Outdoor Kitchen line because we want everyone to enjoy the outdoors! All outdoor kitchen lines are modular in design, fit together seamlessly and are made of sturdy, durable aluminum countertops for easy connection. Like all domi outdoor products, the Outdoor Kitchen series has stood the test of time and will become a product that consumers trust.



---

Missing part? Damaged? Contact us via email at [service@domioutdoorliving.com](mailto:service@domioutdoorliving.com)

[www.domioutdoorliving.com](http://www.domioutdoorliving.com)

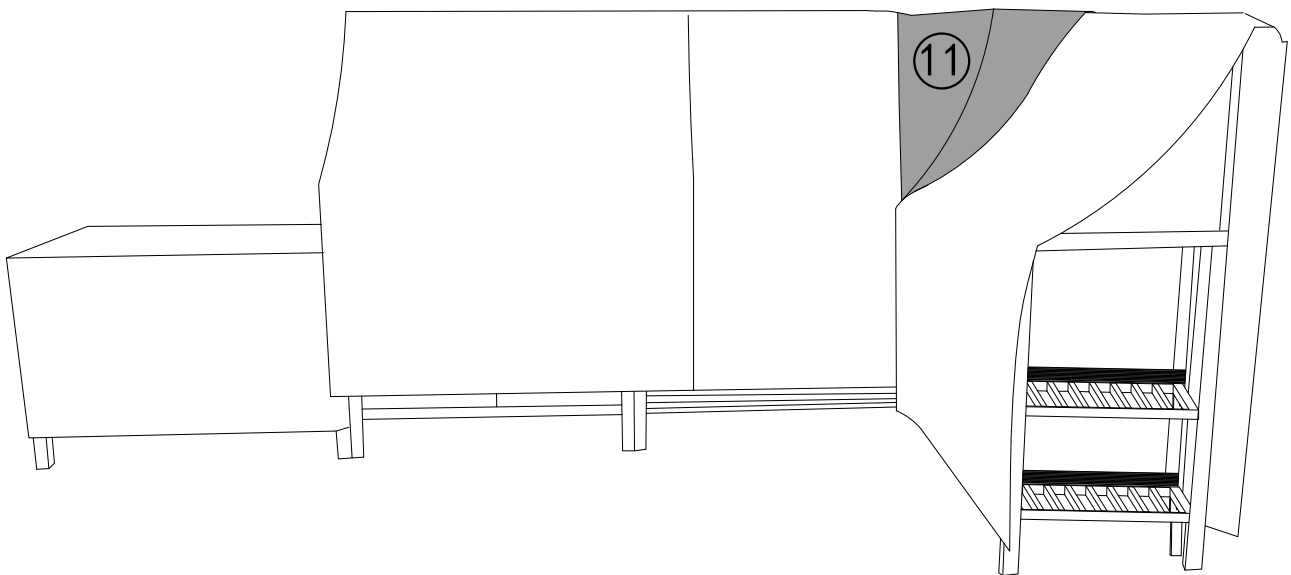
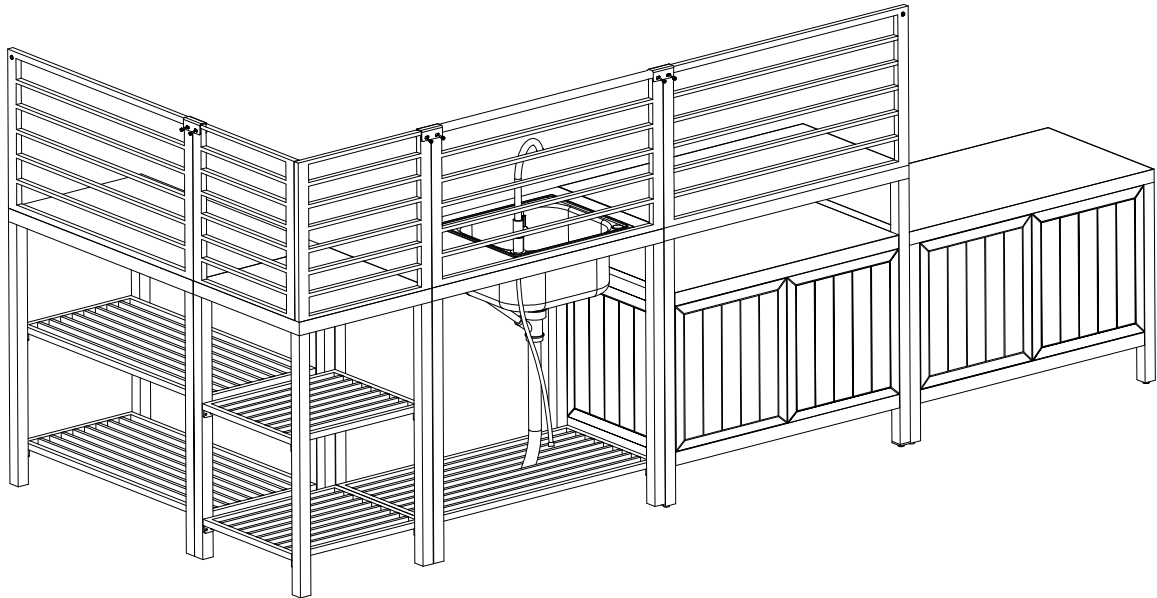
---

# Series products

---



⑪ 1X



# about the outdoor kitchen series

---

We created the Outdoor Kitchen line because we want everyone to enjoy the outdoors! All outdoor kitchen lines are modular in design, fit together seamlessly and are made of sturdy, durable aluminum countertops for easy connection. Like all domi outdoor products, the Outdoor Kitchen series has stood the test of time and will become a product that consumers trust.



---

Missing part? Damaged? Contact us via email at [service@domioutdoorliving.com](mailto:service@domioutdoorliving.com)

[www.domioutdoorliving.com](http://www.domioutdoorliving.com)

---