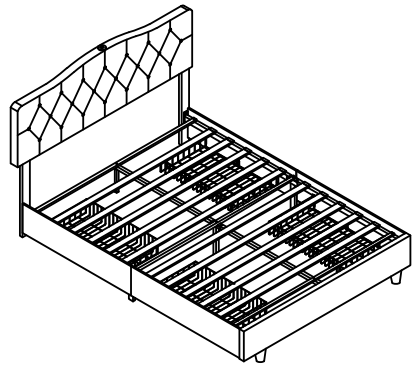
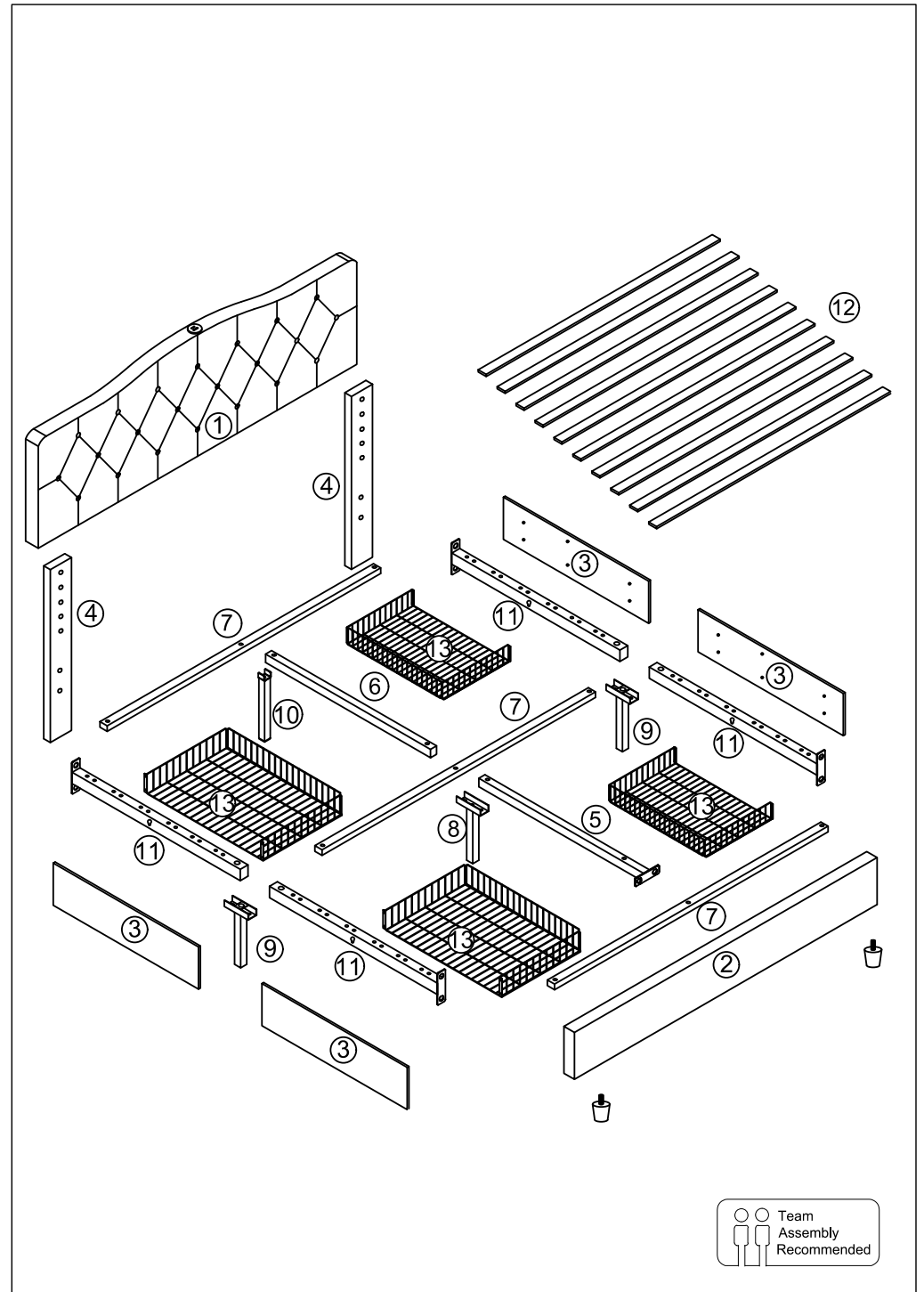


Item Description:	<u>Bed Frame</u>
Dimension:	<u>150.5*200*(90-110)cm</u>
	<u>165.5*213*(90-110)cm</u>

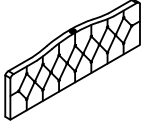
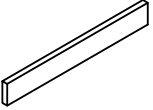
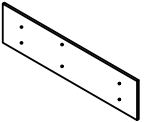
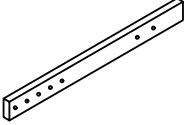
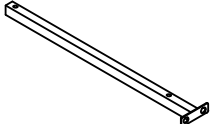
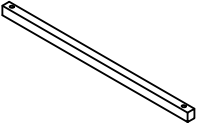
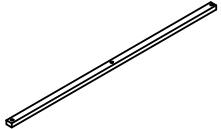

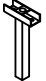

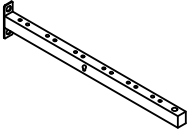
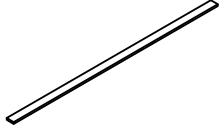
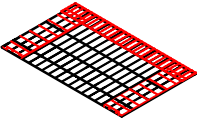


Bed Frame

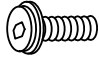






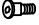



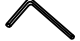

Dimension: $150.5 \times 200 \times (90-110)$ cm
 $165.5 \times 213 \times (90-110)$ cm



Components 

①		1pcs	②		1pcs
	FULL:150*54*8.5 QUEEN:165*54*8.5			FULL:143*24.5*5 QUEEN:158*24.5*5	
③		4pcs	④		2pcs
	FULL:96*24.5*2 QUEEN:102.5*24.5*2			FULL:73*7*2.5 QUEEN:73*7*2.5	
⑤		1pcs	⑥		1pcs
	FULL:94.6*8*2.5 QUEEN:101*8*2.5			FULL:86.5*2.5*2.5 QUEEN:93*2.5*2.5	
⑦		3pcs	⑧		1pcs
	FULL:138.6*2.4*1.2 QUEEN:154.1*2.4*1.2			FULL:22.3*9.4*3.1 QUEEN:22.3*9.4*3.1	
⑨		2pcs	⑩		1pcs
	FULL:22.3*12*3.6 QUEEN:22.3*12*3.6			FULL:22.3*3.1*2.5 QUEEN:22.3*3.1*2.5	
⑪		4pcs	⑫		10pcs
	FULL:94.7*9*3 QUEEN:101.2*9*3			FULL:138*5.2*1.2 QUEEN:153*5.2*1.2	
⑬		4pcs			
	FULL:77*50.5*12 QUEEN:77*50.5*12				

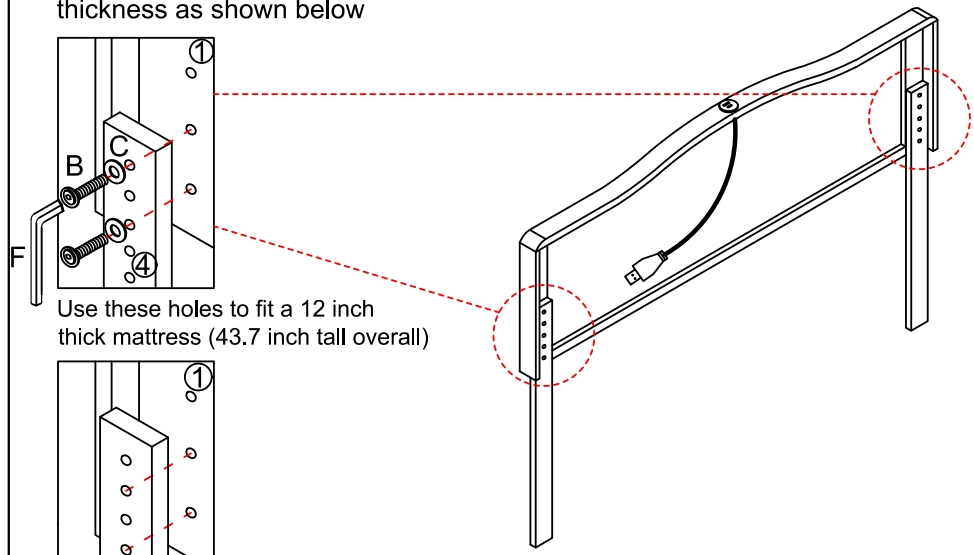
Screws&Toos 

Ⓐ		15	Ⓑ		14
	Bolt M8 x 25			Bolt M8 x 45	
Ⓒ		4	Ⓓ		2
	Spacer			Foot	
Ⓔ		20	Ⓕ		1
	SHngle PlastHc Cap			Allen Key M5	
Ⓘ		20	Ⓙ		4
	Bolt M6 x 15			Bolt M6 x 10	
Ⓚ		4	Ⓛ		8
	Hook			Plastic Buckles	
Ⓜ		20	Ⓝ		1
	Wheel			Allen Key M4	
Ⓞ		1			
	Plug				

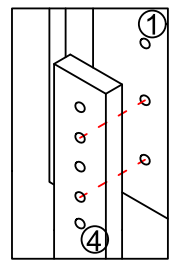
Step 1

 B x 4  C x 4  F x 1

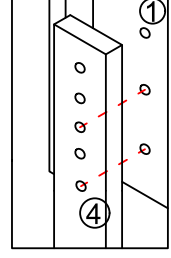
Each pair of holes corresponds to a mattress thickness as shown below



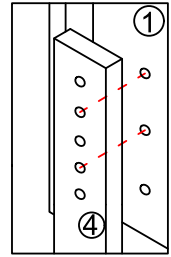
Use these holes to fit a 12 inch thick mattress (43.7 inch tall overall)



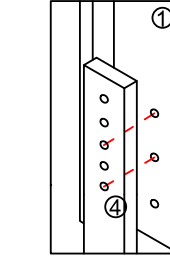
Use these holes to fit a 10 inch thick mattress (41.7 inch tall overall)



Use these holes to fit a 8 inch thick mattress (39.7 inch tall overall)

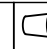


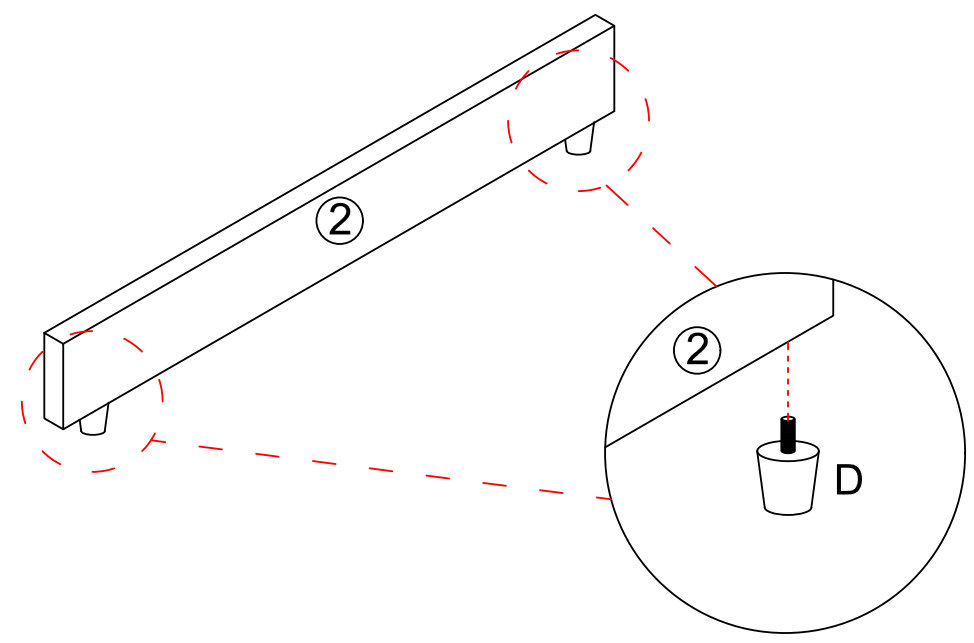
Use these holes to fit a 6 inch thick mattress (37.7 inch tall overall)



Use these holes to fit a 4 inch thick mattress (35.7 inch tall overall)

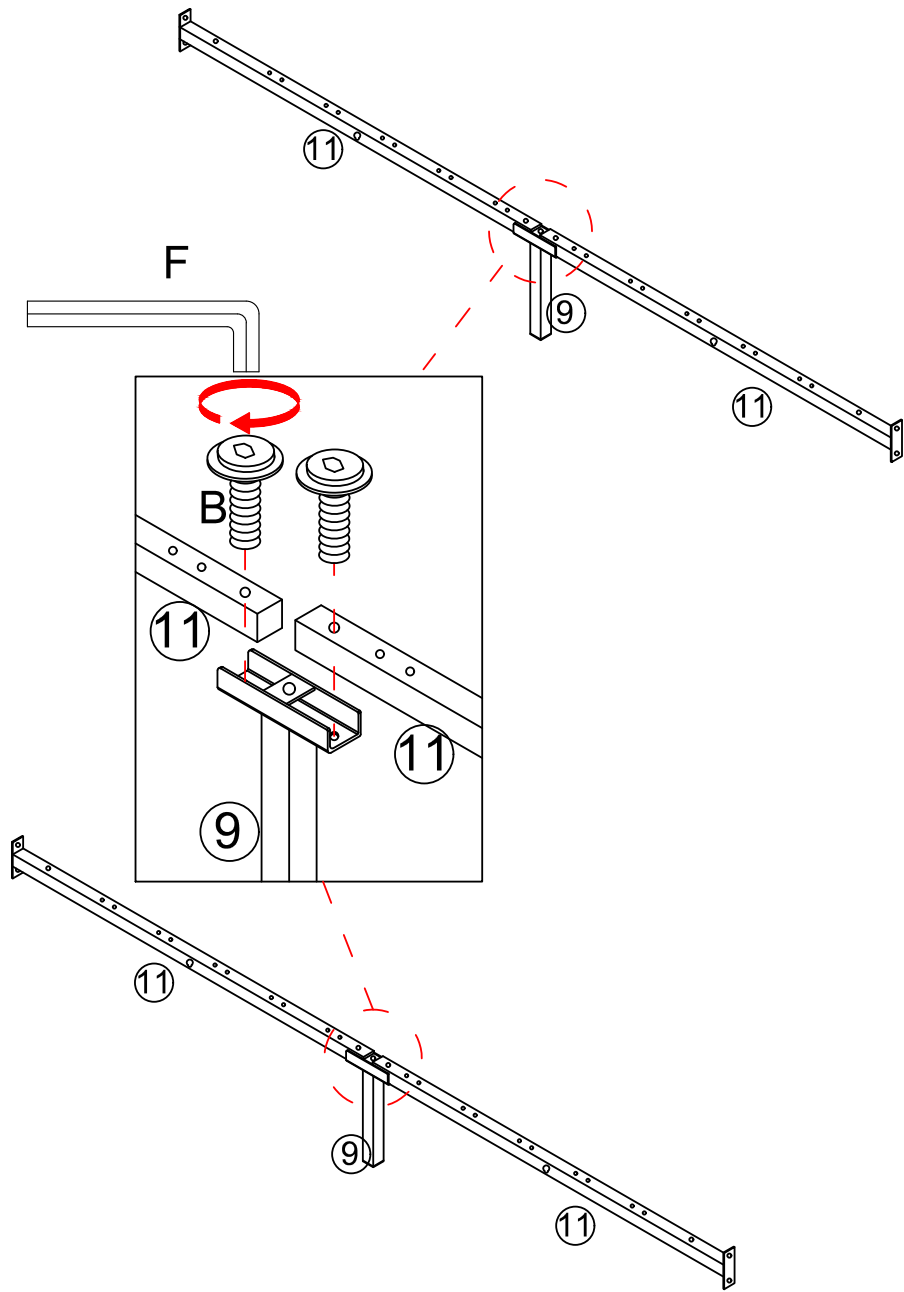
Step 2

 D x 2



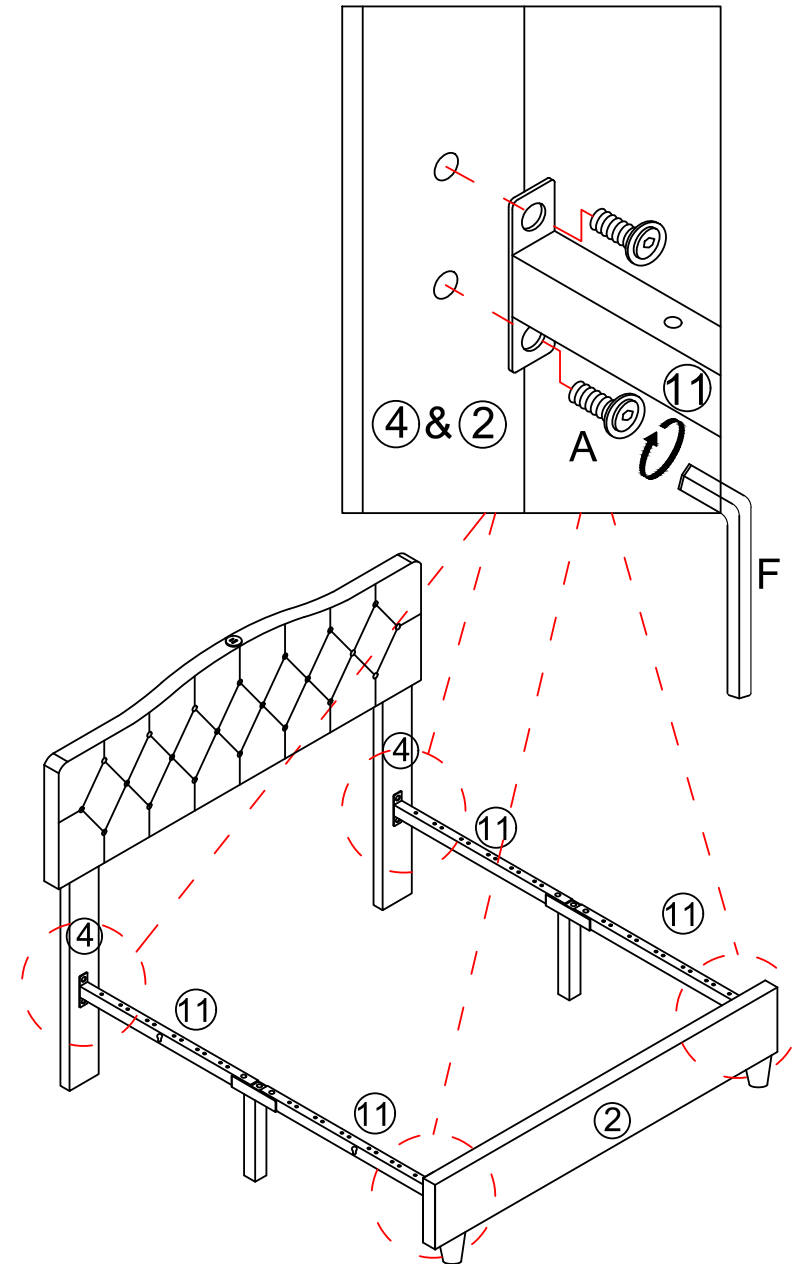
Step 3

● B x 4 ▲ F x 1



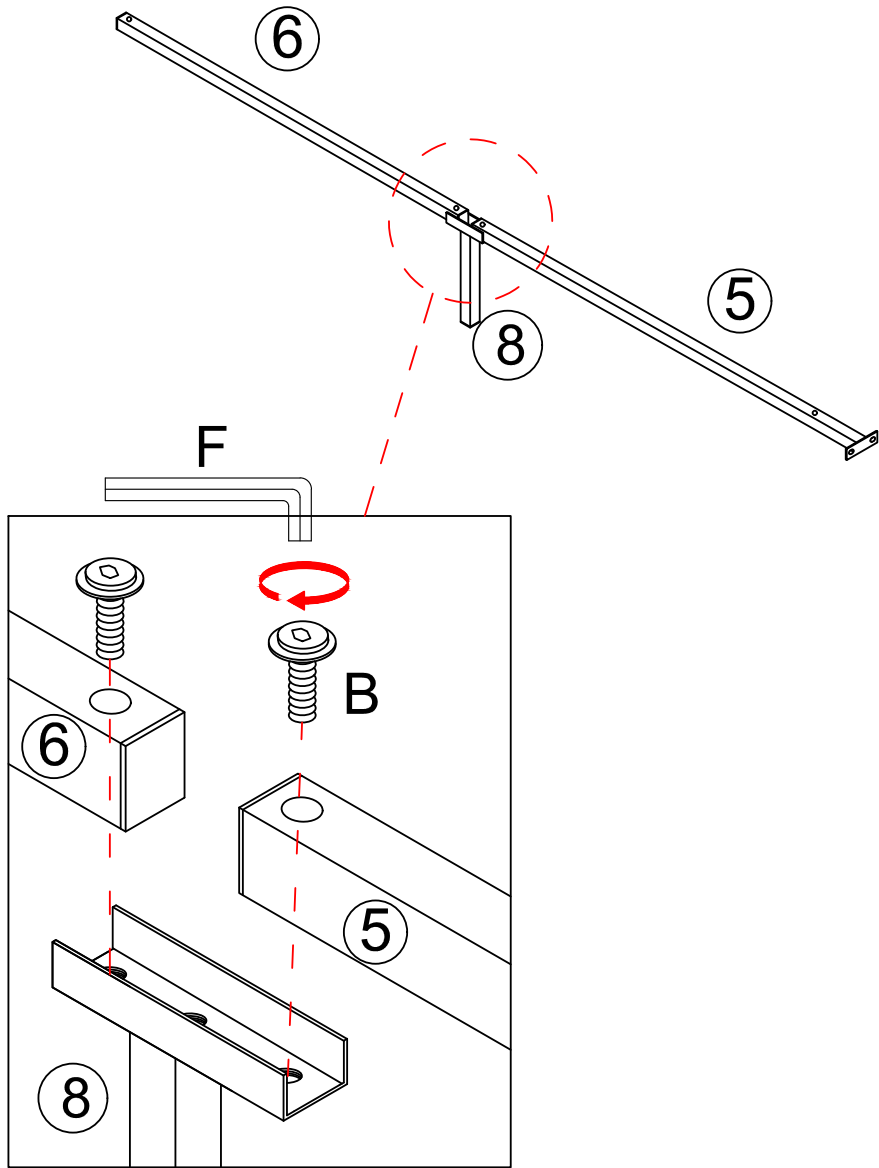
Step 4

● A x 8 ▲ F x 1



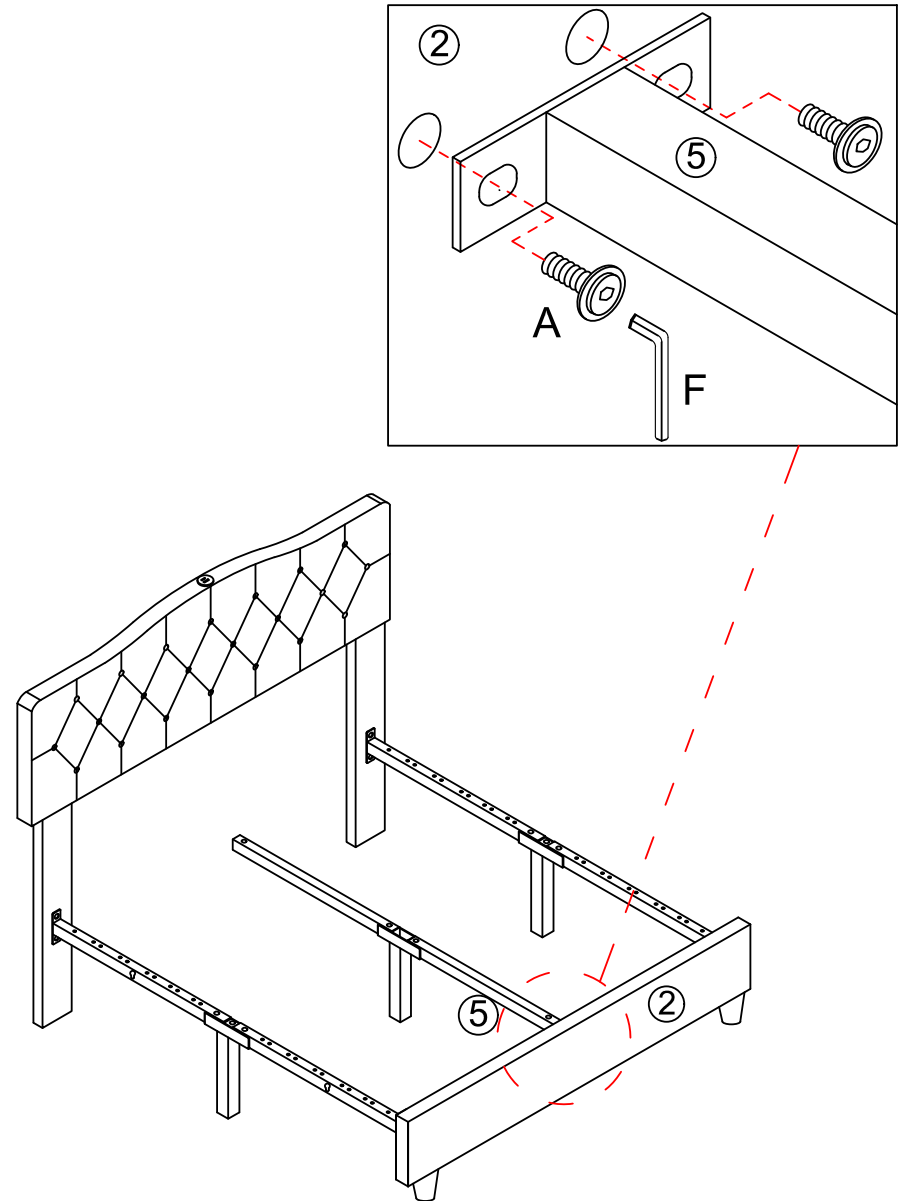
Step 5

B x 2 F x 1





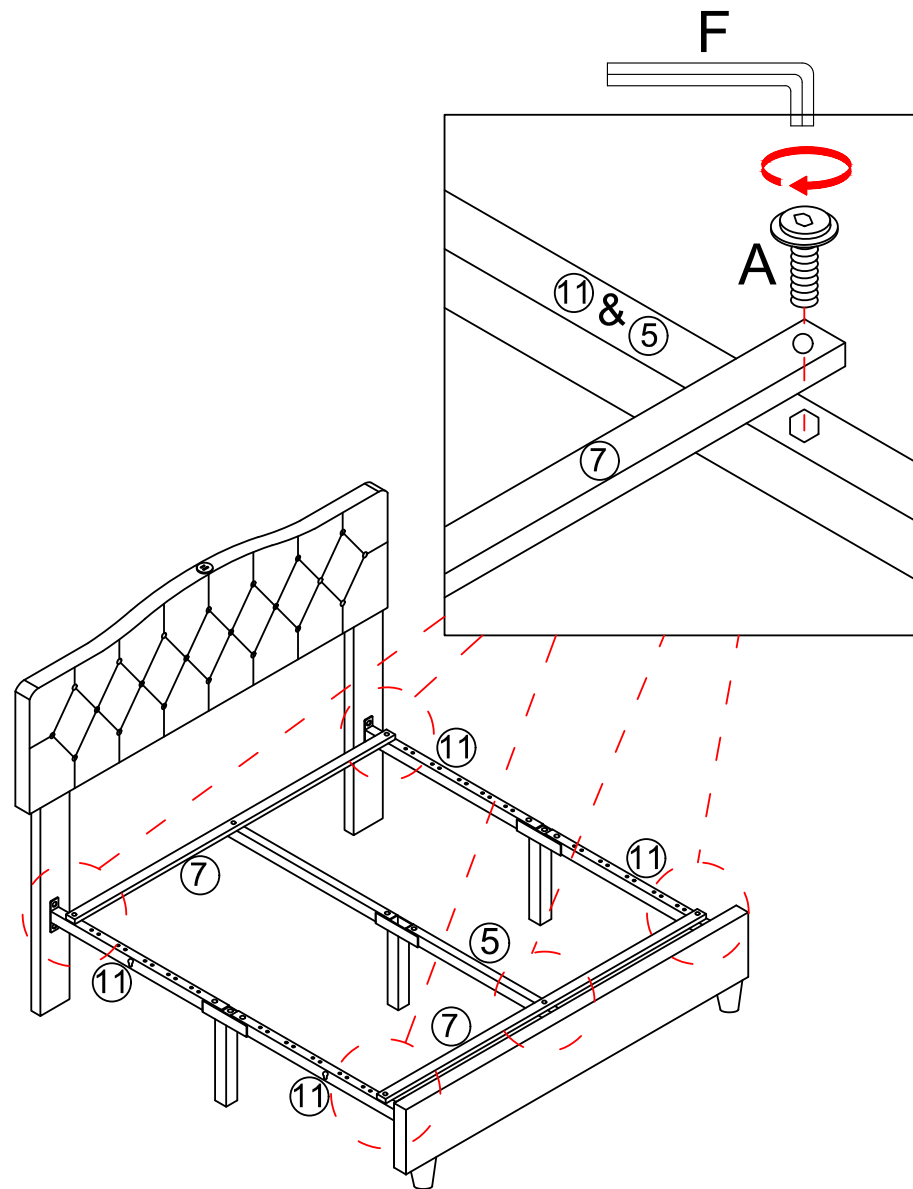
Step 6

A x 2 F x 1



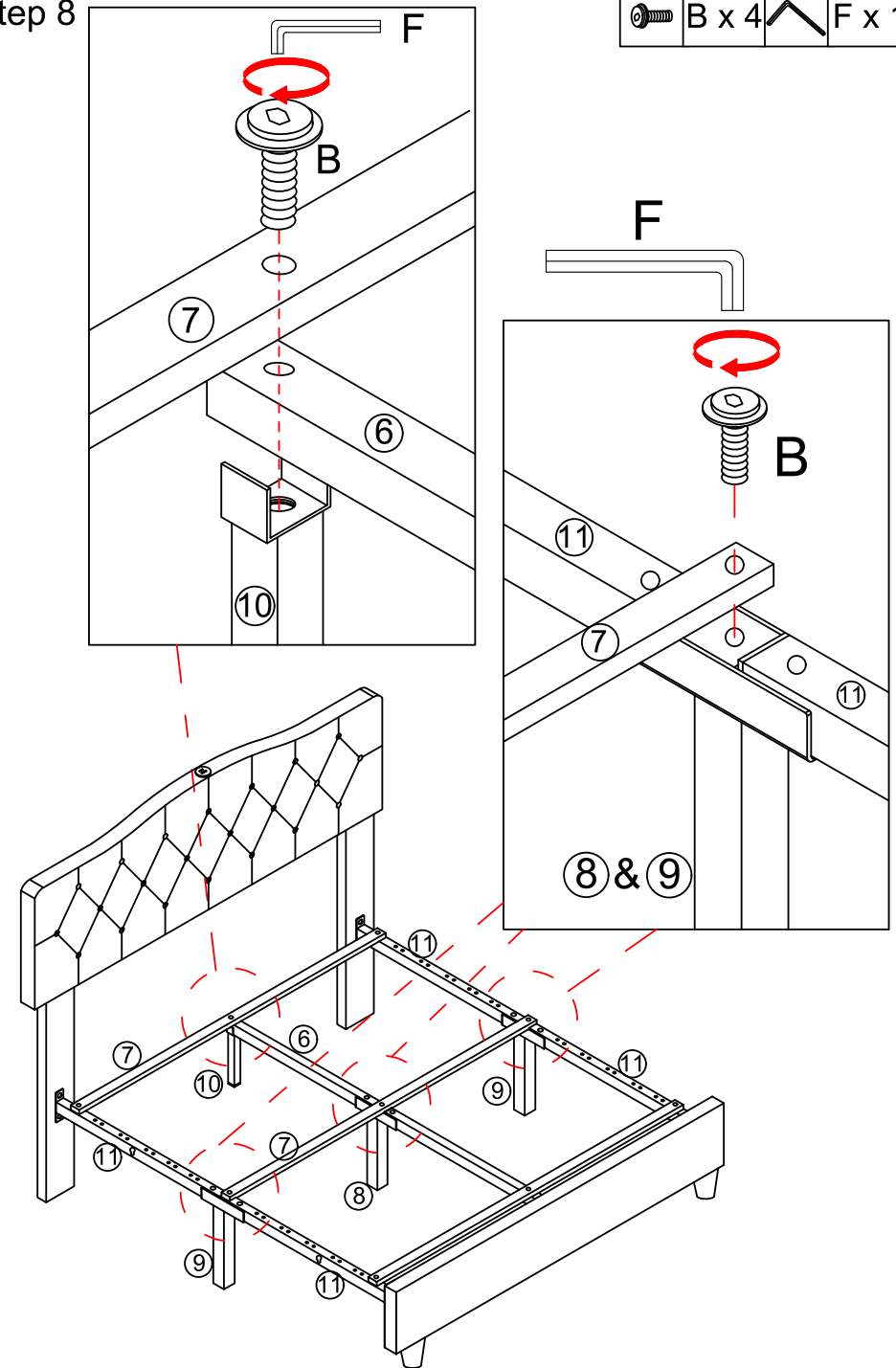
Step 7

 A x 5  F x 1



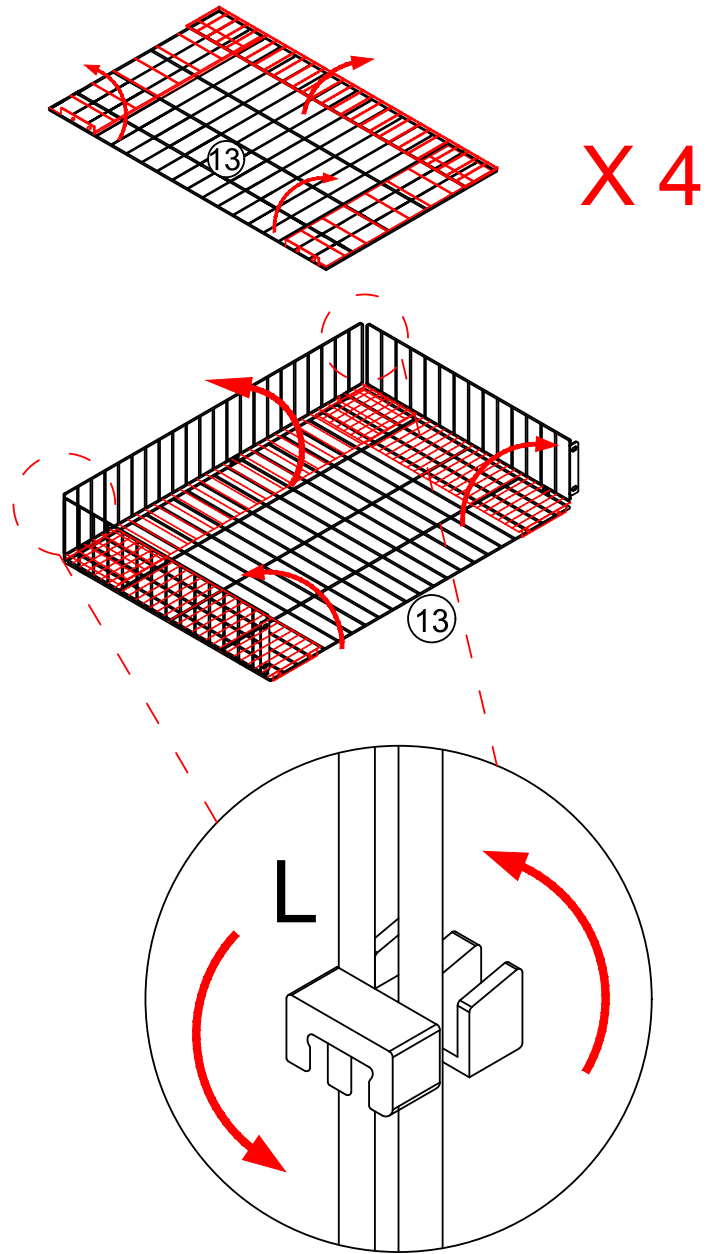
Step 8

 B x 4  F x 1



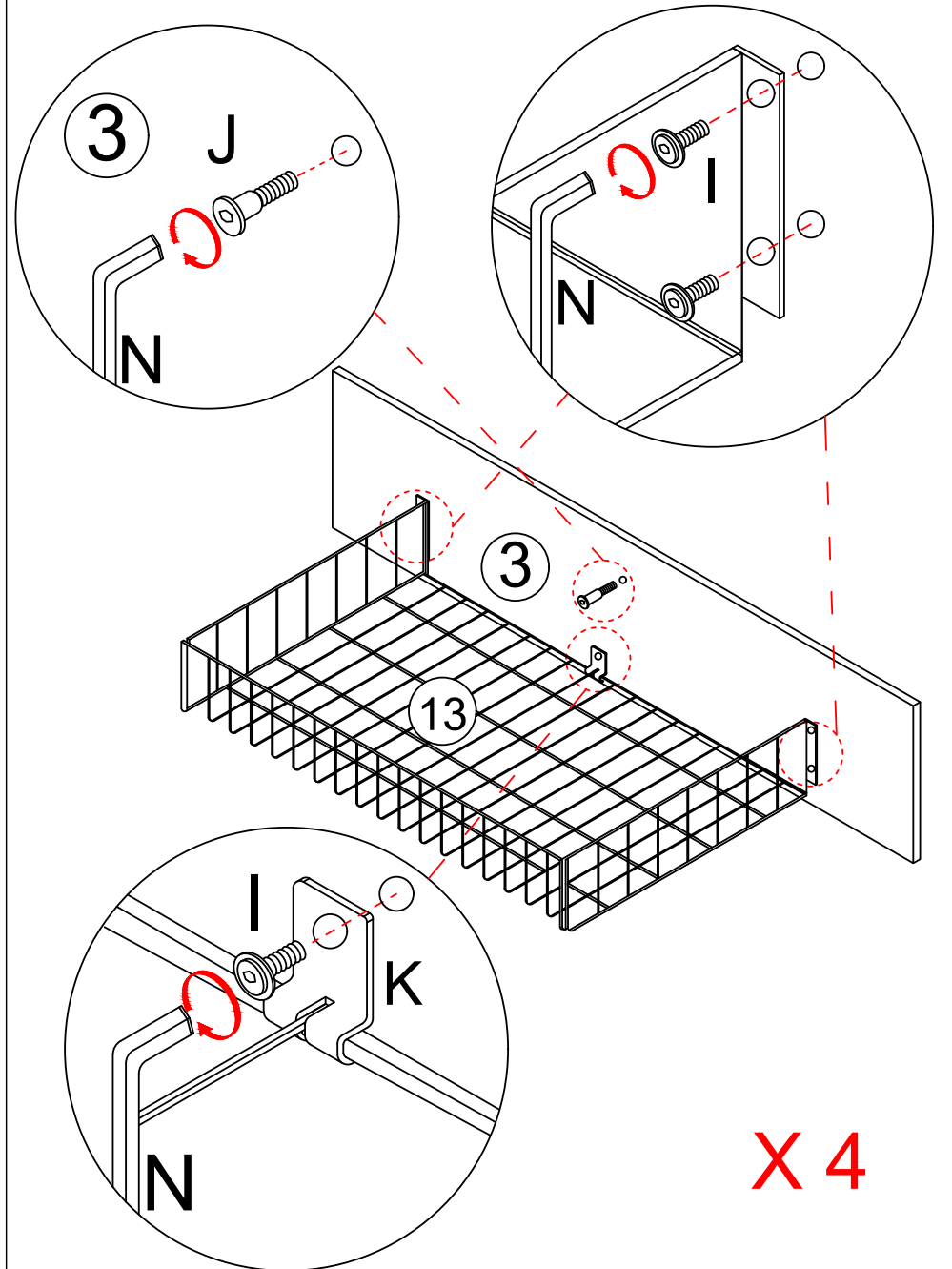
Step 9

 L x 8

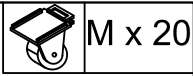


Step 10

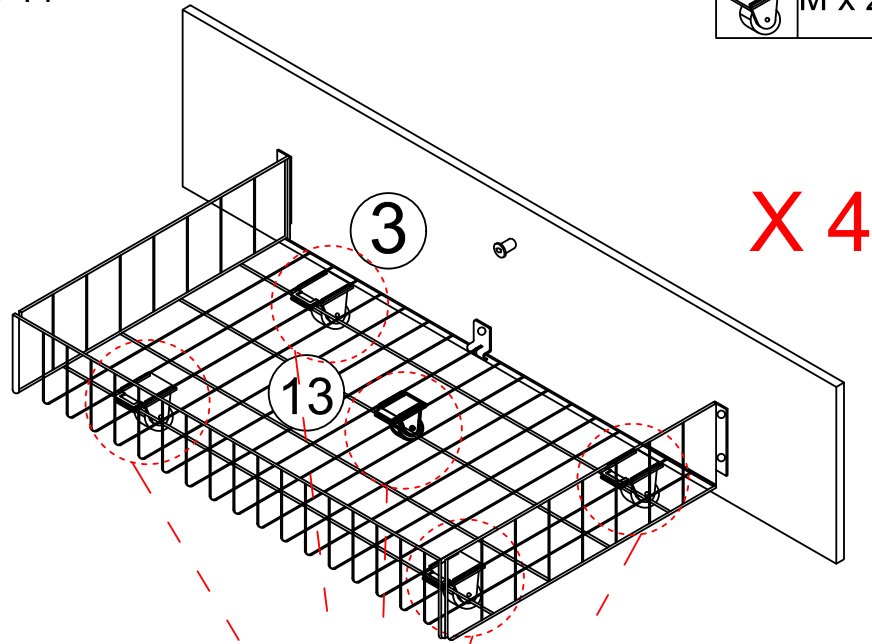
 I x 20  J x 4  K x 4  N x 1



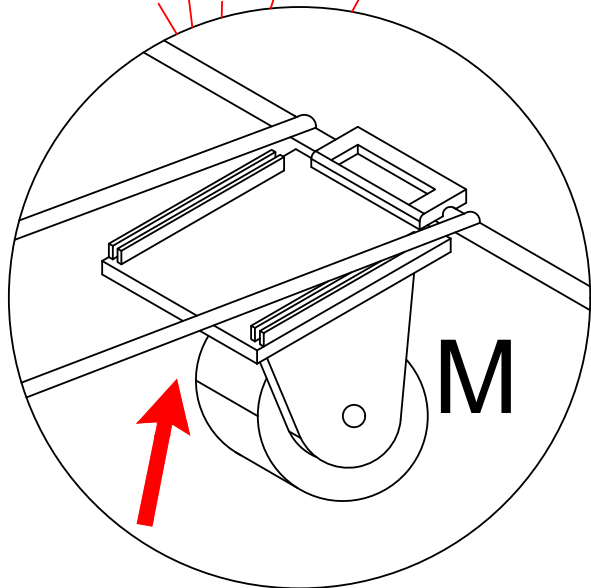
Step 11



M x 20

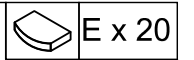


X 4

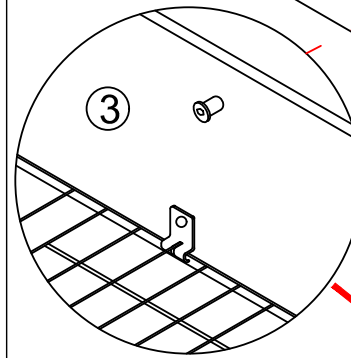
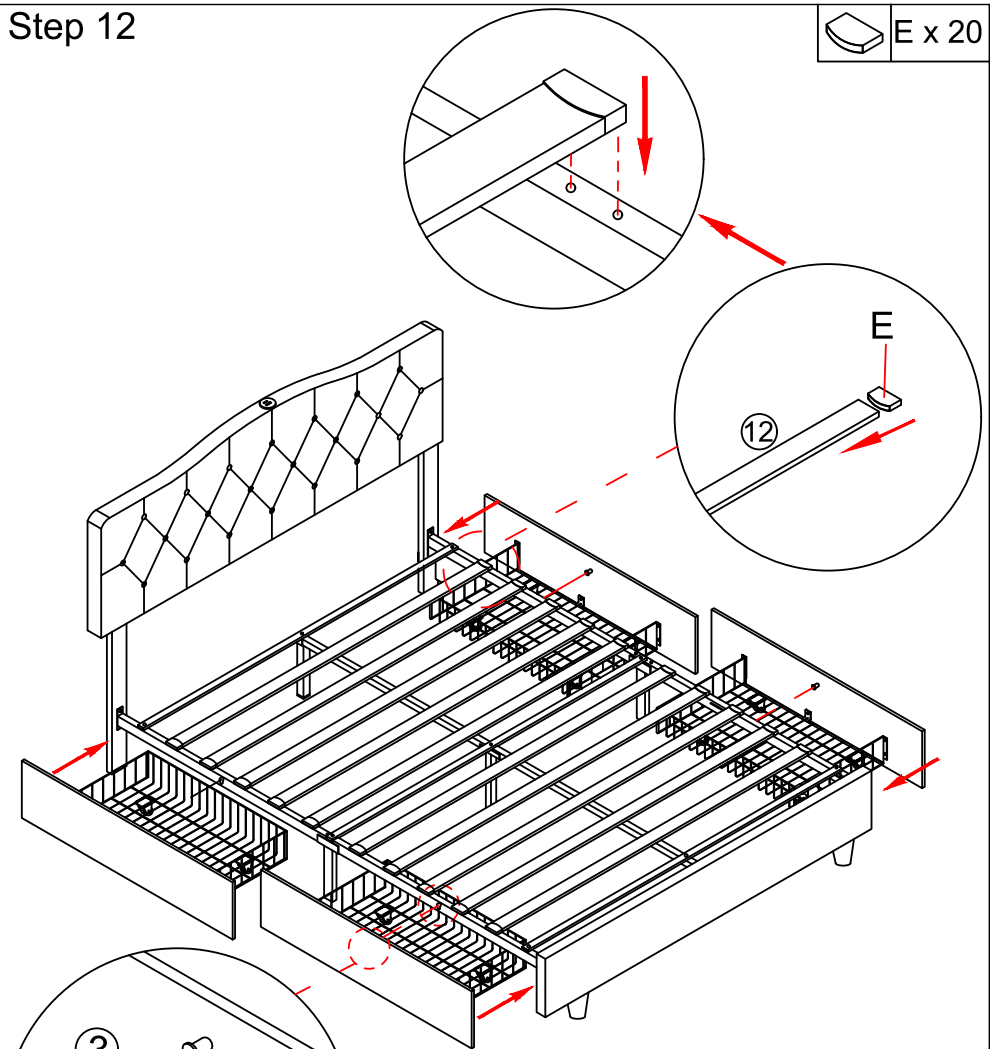


M

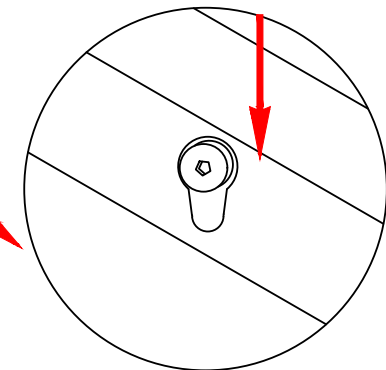
Step 12



E x 20

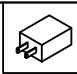


3



E

Step 13

 O x 1

