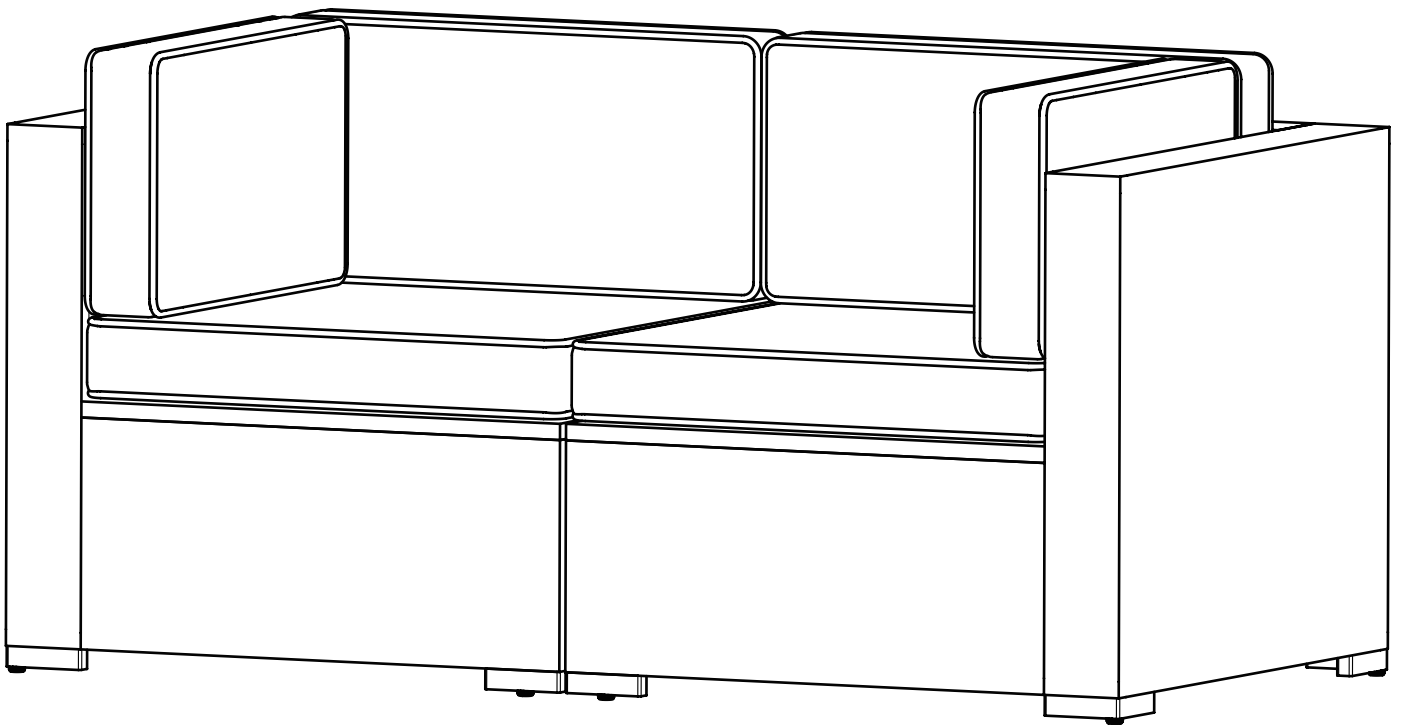


2PC CORNER SOFA



NOTICE



Please keep these instructions for future reference.

Dear Customer

- Thank you for your purchase. When you receive the product, please make sure that all the parts are intact. Then follow the entire installation instructions to install!
- When installing, please be careful not to tighten the screws immediately! You need to make sure that all the screws are secured to 80%, then tighten them!
- In order to protect the rattan from harm. and the screw hole from grind, do not use the electric drill, please use the manual screwdriver in the hardware package!

If problem occur unsatisfactorily as follows

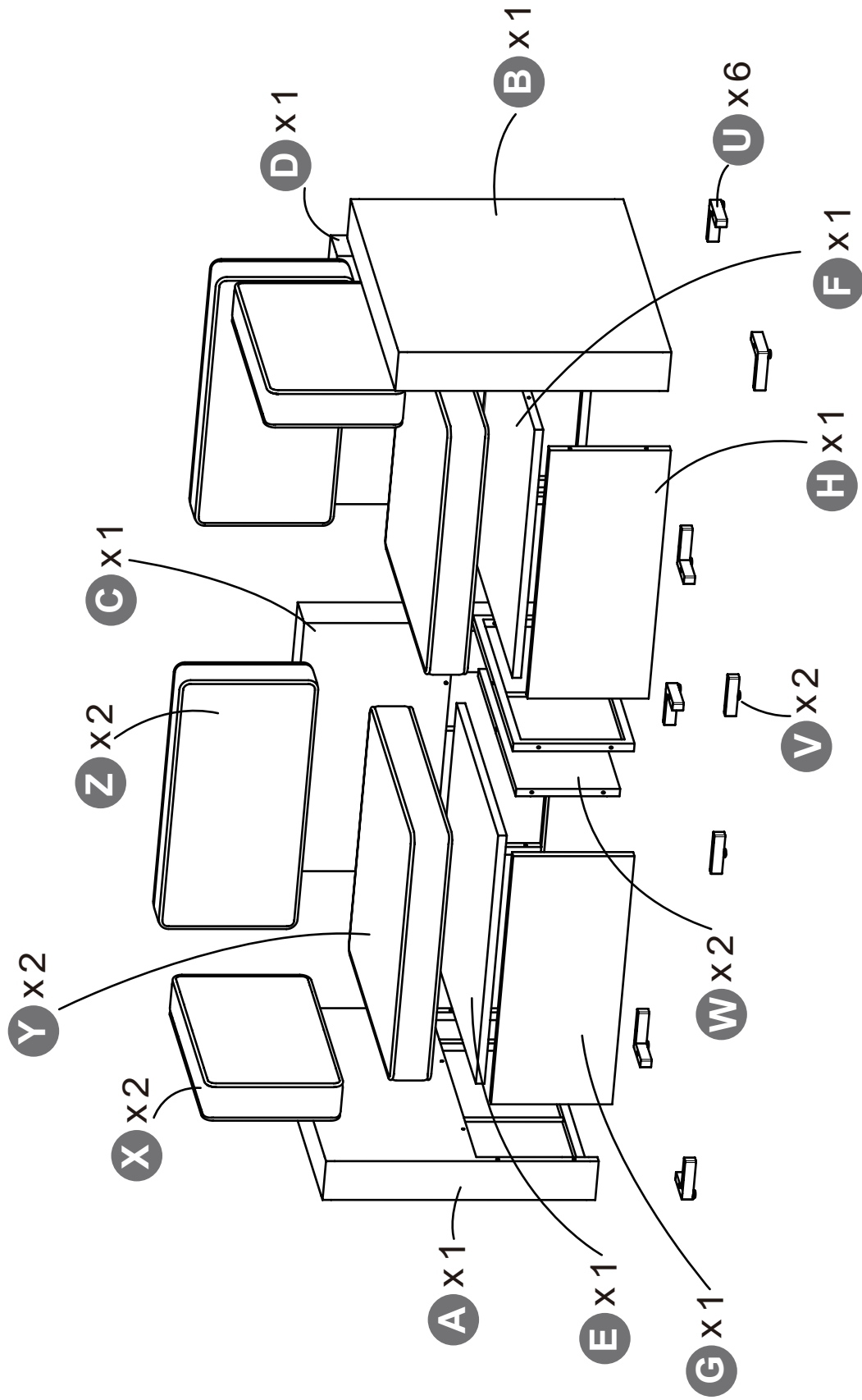
- A . The outer box is damaged
- B . The product is damaged / bent / cracked while you open the box
- C . The parts / accessories / assembly tools are missing
- D . The instructions are not clear and can not be referred
- E . The product has functional problems
- F . Other aspects that you are not satisfied with

CARE INSTRUCTIONS

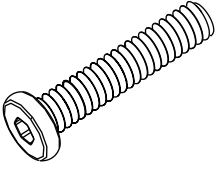
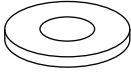
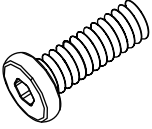
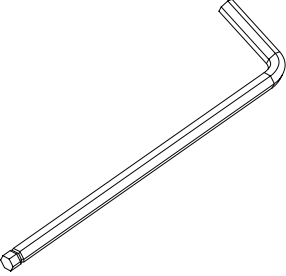
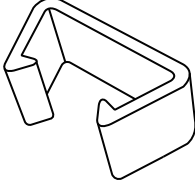
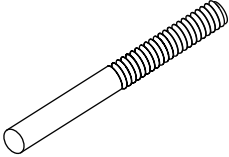
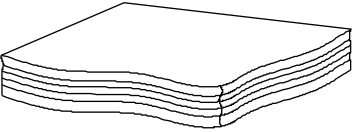
- **IMPORTANT!** Always cover the conversation sets with the waterproof cover (**included**) when not in use, or you will get dirty surface and cushion full of water.
- To clean the cushion cover, please take out the sponge inside. Follow the care instructions that are sewn into the fabric. Never use solvent-based detergents since these may bleach the material and damage the fabric.
- To clean the metal frame and weaving rattan ,wipe them with clean water.It is not recommended to clean products with a strong cleaner or an abrasive materials, it may discolor or damage the surface.

PART LIST

! Before installation, please check that the parts are all included !



HARDWARE

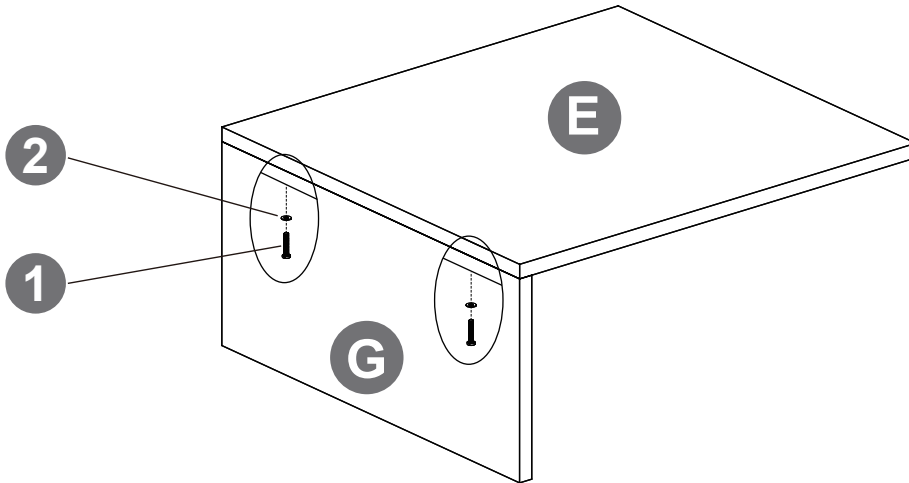
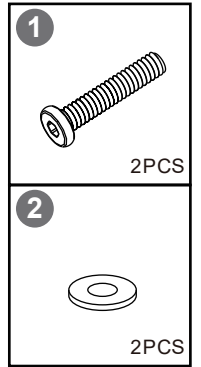
<p>1</p>  <p>M6*35MM</p> <p>x 30</p>	<p>2</p>  <p>Gasket</p> <p>x 30</p>	<p>3</p>  <p>M6*25MM</p> <p>x 16</p>
<p>4</p>  <p>x 1</p>	<p>5</p>  <p>x 2</p>	<p>6</p>  <p>M6*35MM</p> <p>x 2</p>
<p>7</p>  <p>Waterproof Cover</p> <p>x 1</p>		

STEP

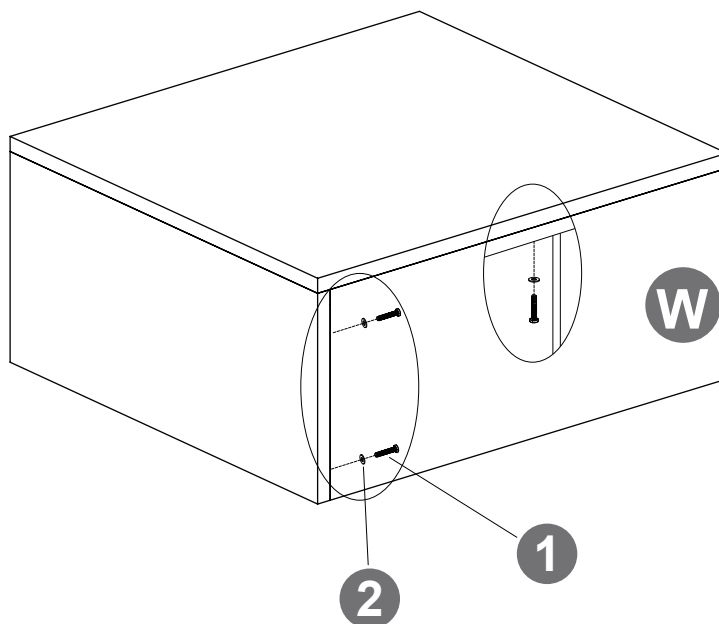
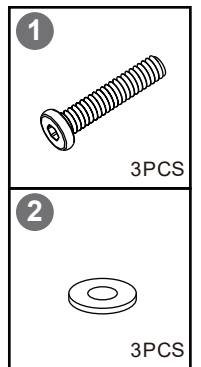
1

⚠ Notice!

When installing, please DO NOT to tighten the screws immediately! You need to make sure that all the screws are secured to 80%, then tighten them! (In order to aim all the screw holes)

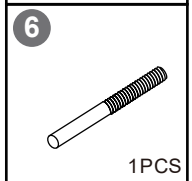
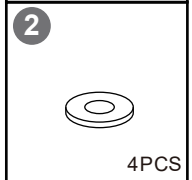
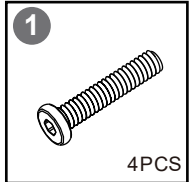
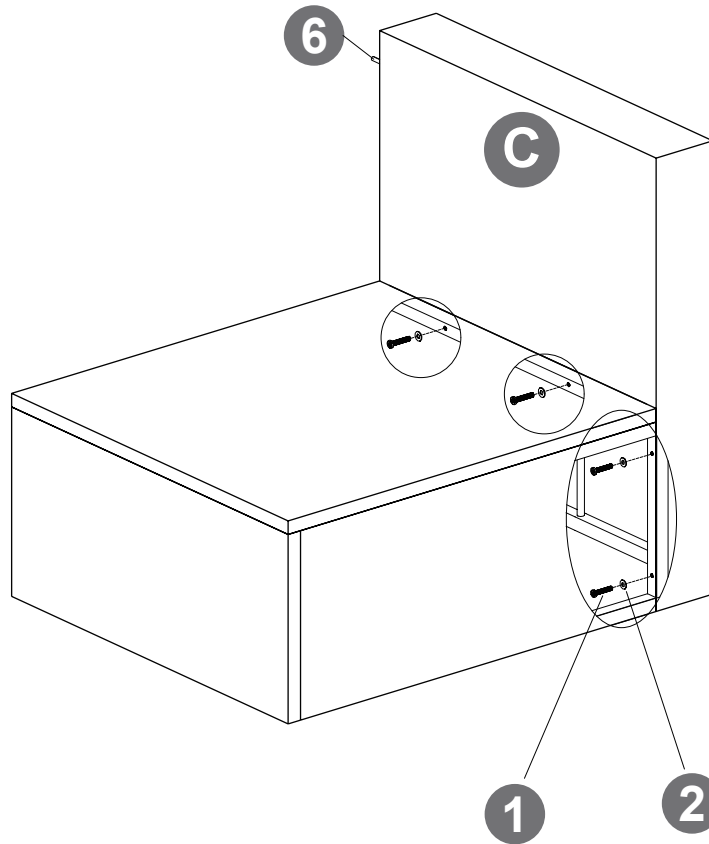


2

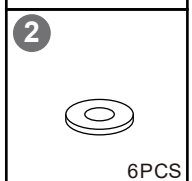
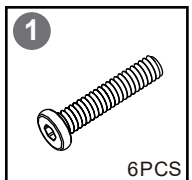
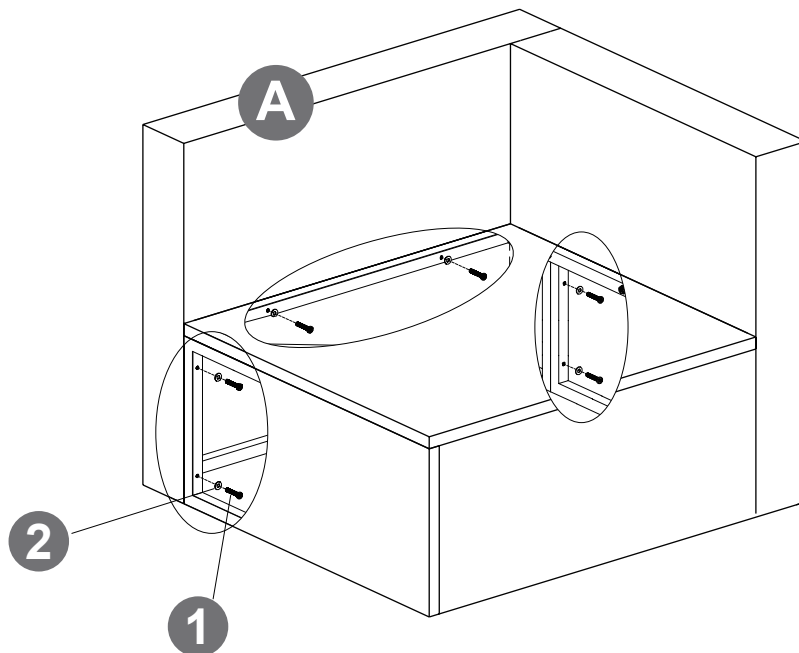


STEP

3



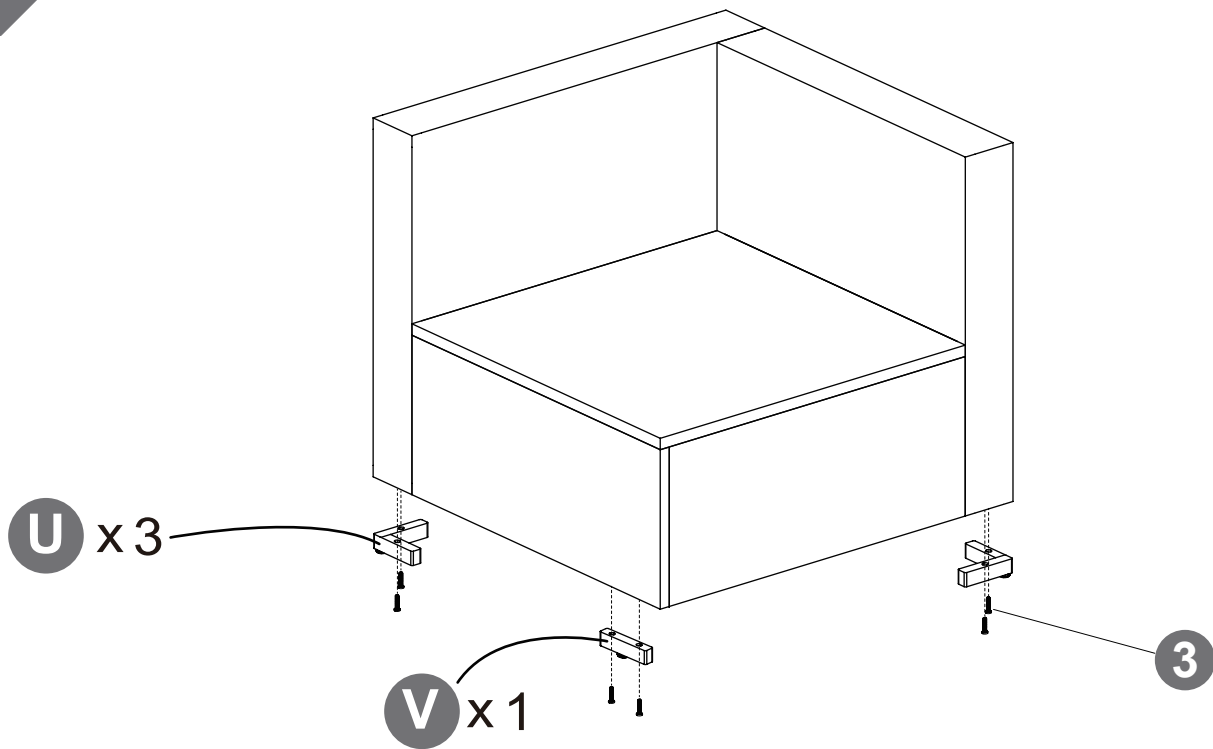
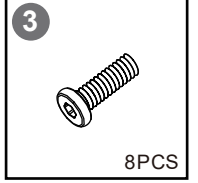
4



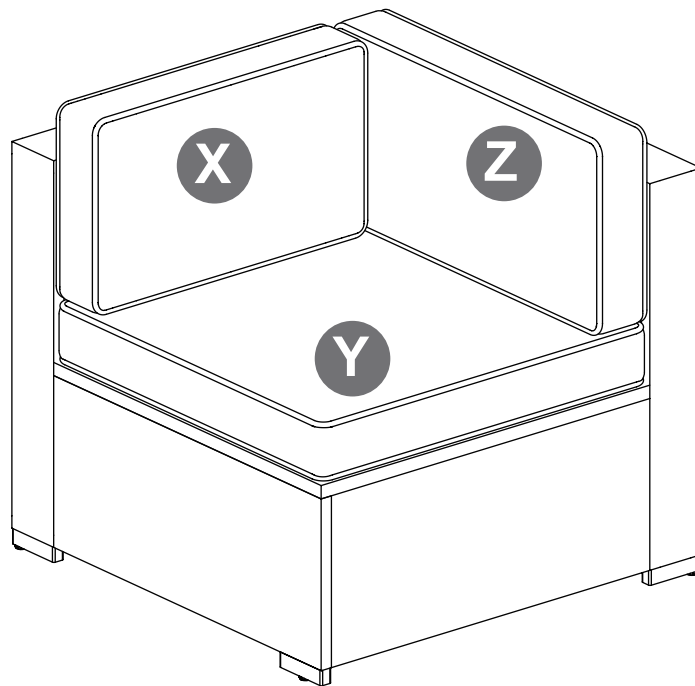
5

STEP

5



6



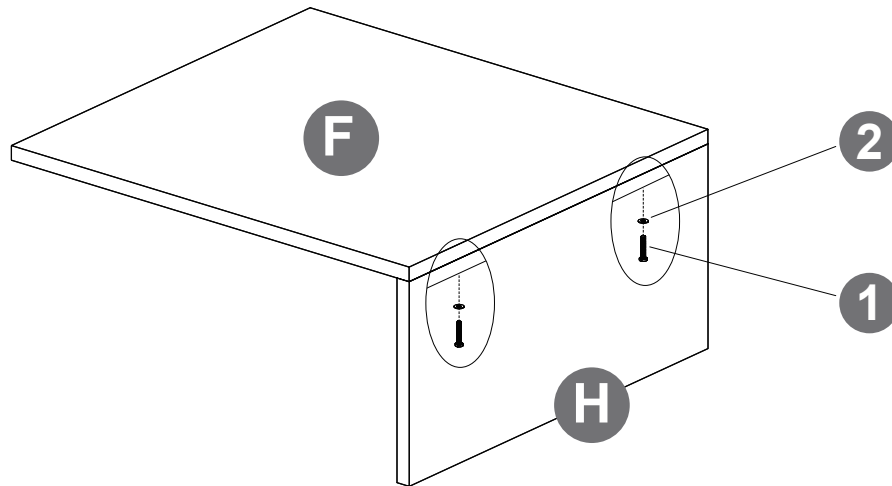
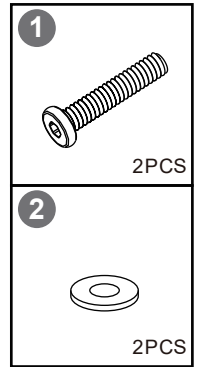
6

STEP

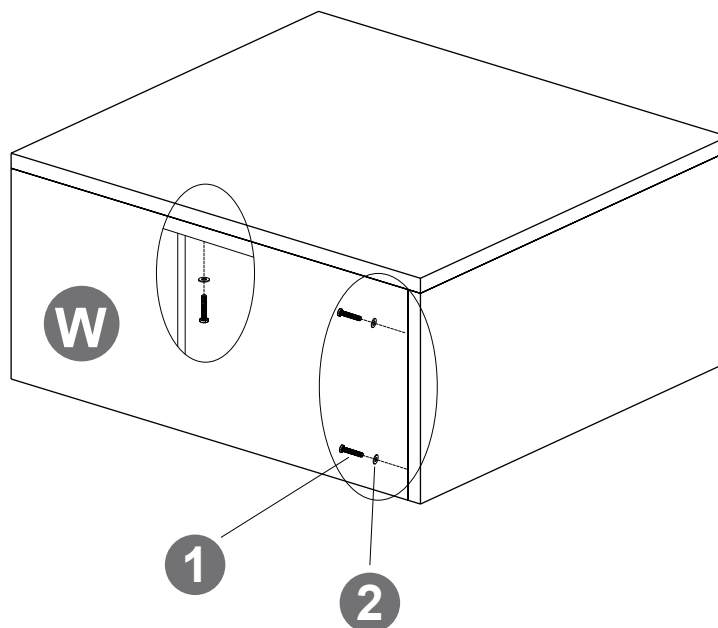
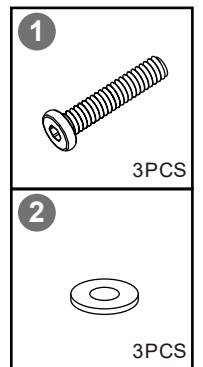
7

⚠ Notice!

When installing, please DO NOT to tighten the screws immediately! You need to make sure that all the screws are secured to 80%, then tighten them! (In order to aim all the screw holes)

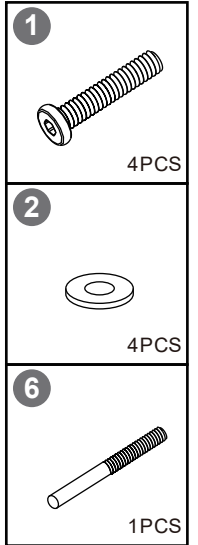
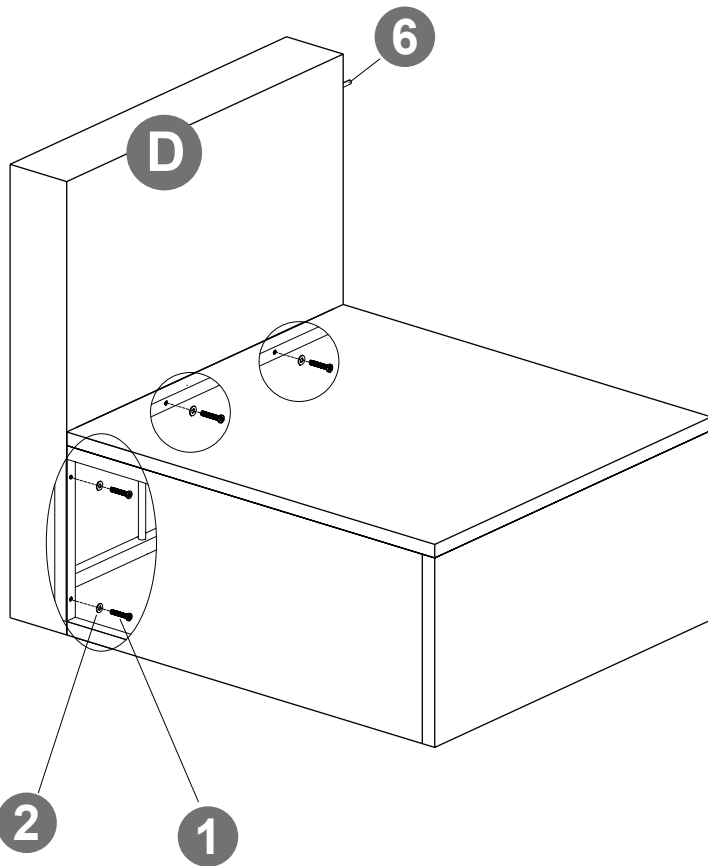


8

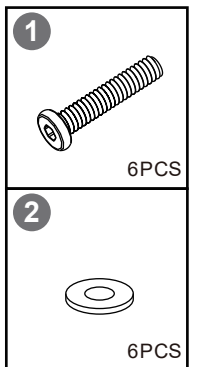
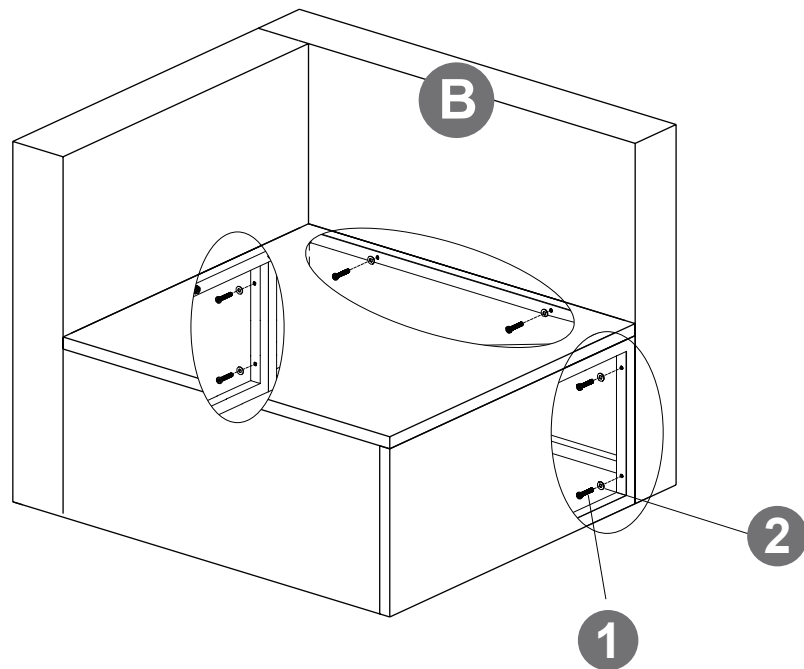


STEP

9



10



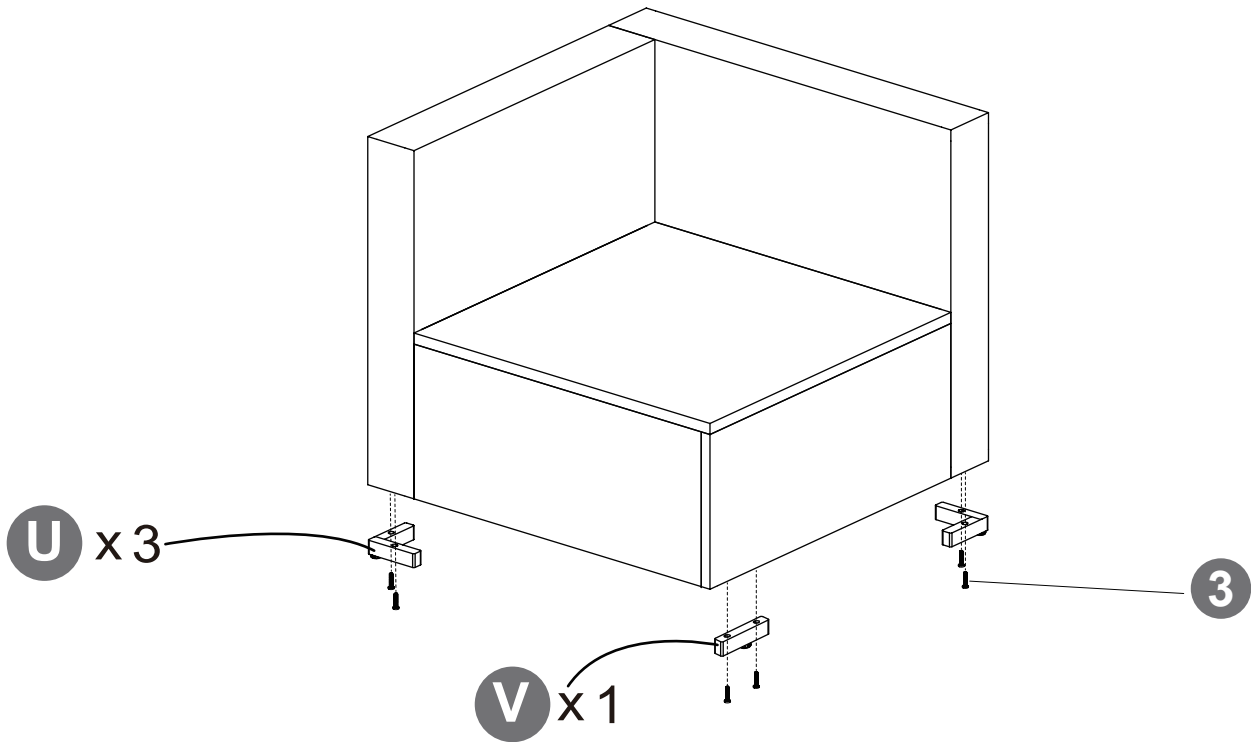
STEP

11

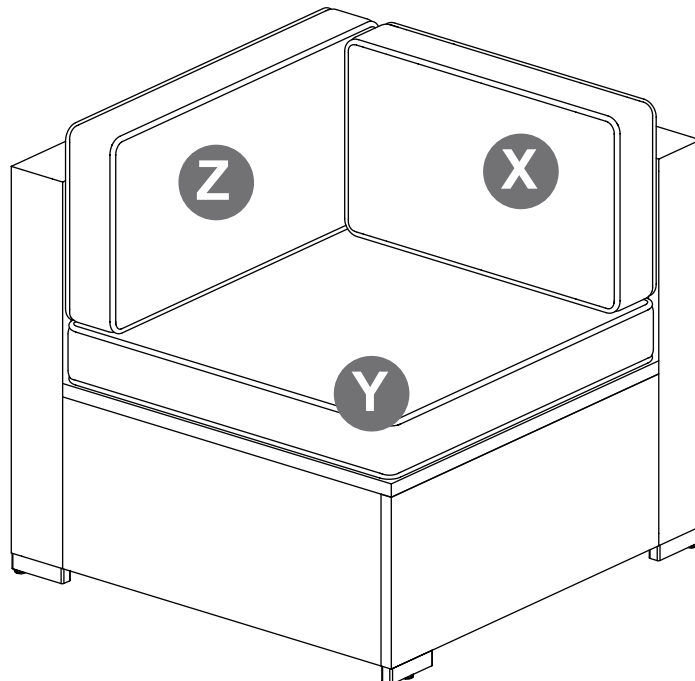
3



8PCS

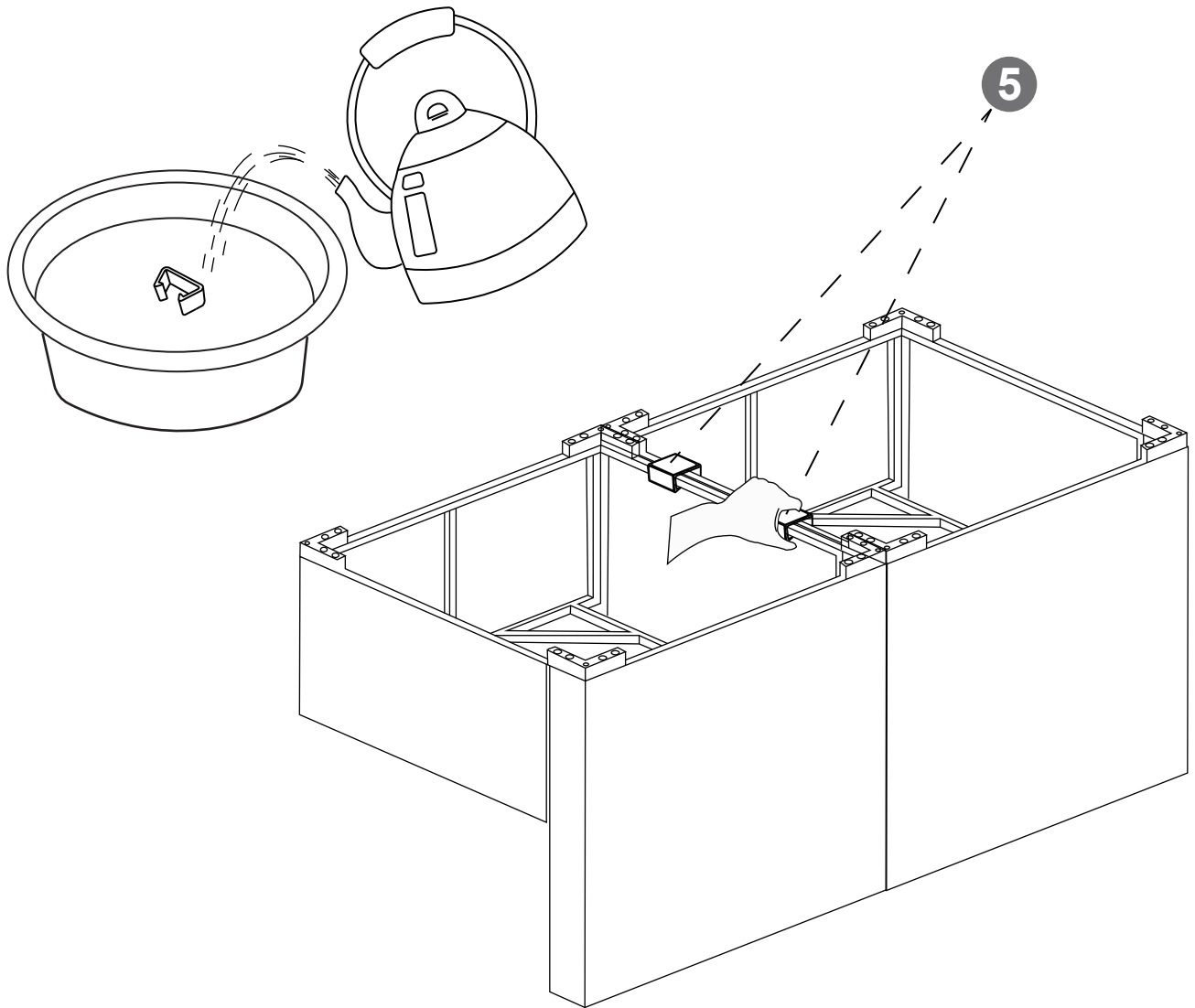


12



**The installation is complete.
Make sure ALL the screws are fully tighten.**

STEP



TIPS

1. In order to increase the toughness of the sofa fixed buckle, please soak it in hot water for 10 minutes before use.
2. When in use, first to snap one side of the buckle into the metal frame, and then force the other side into all the frame.
3. You can freely to make a variety of combinations using the above methods.