

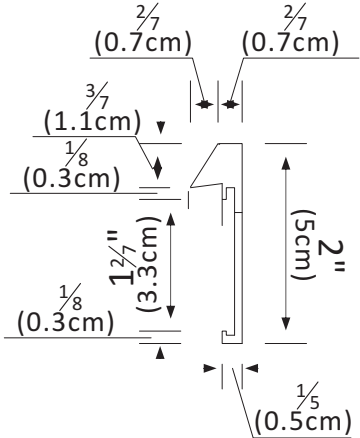
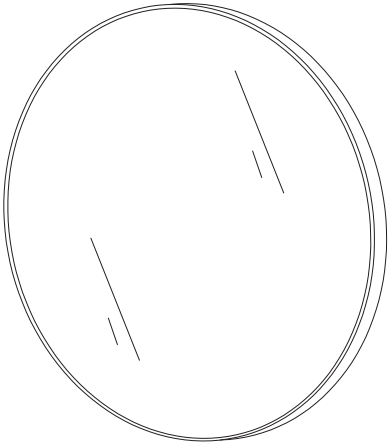
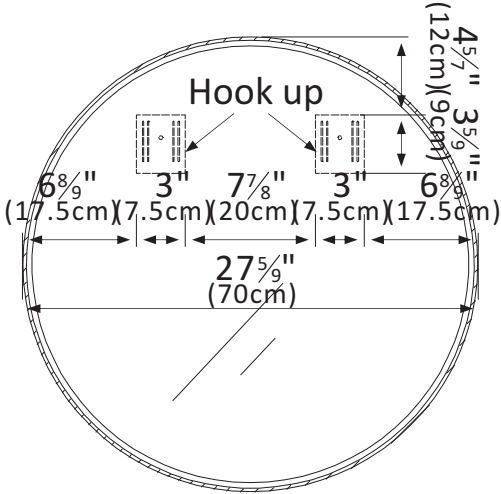
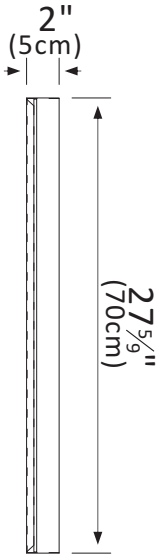
INSTALLATION SPECIFICATION

Finish:	Brushed black
Mount type:	Wall-mounted
Orientation:	Vertical
Material:	Aluminum
Storage included:	No
Overall size:	27.6"W x 2.0"D x 27.6"H
Net weight:	12.4 lbs
Lens Thickness:	5mm

28"

Bathroom Mirror

All measurements are approximate. Measurements may vary +/- 1/2



Aluminum section