

Dear Customer,

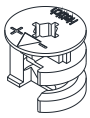
The product you bought was subjected to all sorts of tests and control before sending out to you. Even in this situation, sometimes happen that some component is damaged during the transportation. In such case please do not send the whole article back to us. Just request/order the damaged part. While requesting the required part, describe it exactly by looking to service card. Missing part will be sent to you as soon as possible. Before start assembling, please check the whole components and accessories according to the lists. After being sure that every part and accessory are okay and right, start assembling. Before start assembling, please clean all the components with a damp cloth. If you bought more than one product, to prevent confusion be sure that you completed the first product. Then start the other product's assembling. Never draw the products. While carrying, disassociate and lift the product and carry with minimum 2 people. For long distances carry the product with the package.

It is very easy to clean the surfaces of your product. It is enough to wipe with a damp and soapy cloth or other household cleaners. Do not directly contact your furniture with excessive heat, cold and humidity because the product can be affected.

ATTENTION!!

Minifix is the main connection material used in products.
Before starting assembly, please check the drawings below...

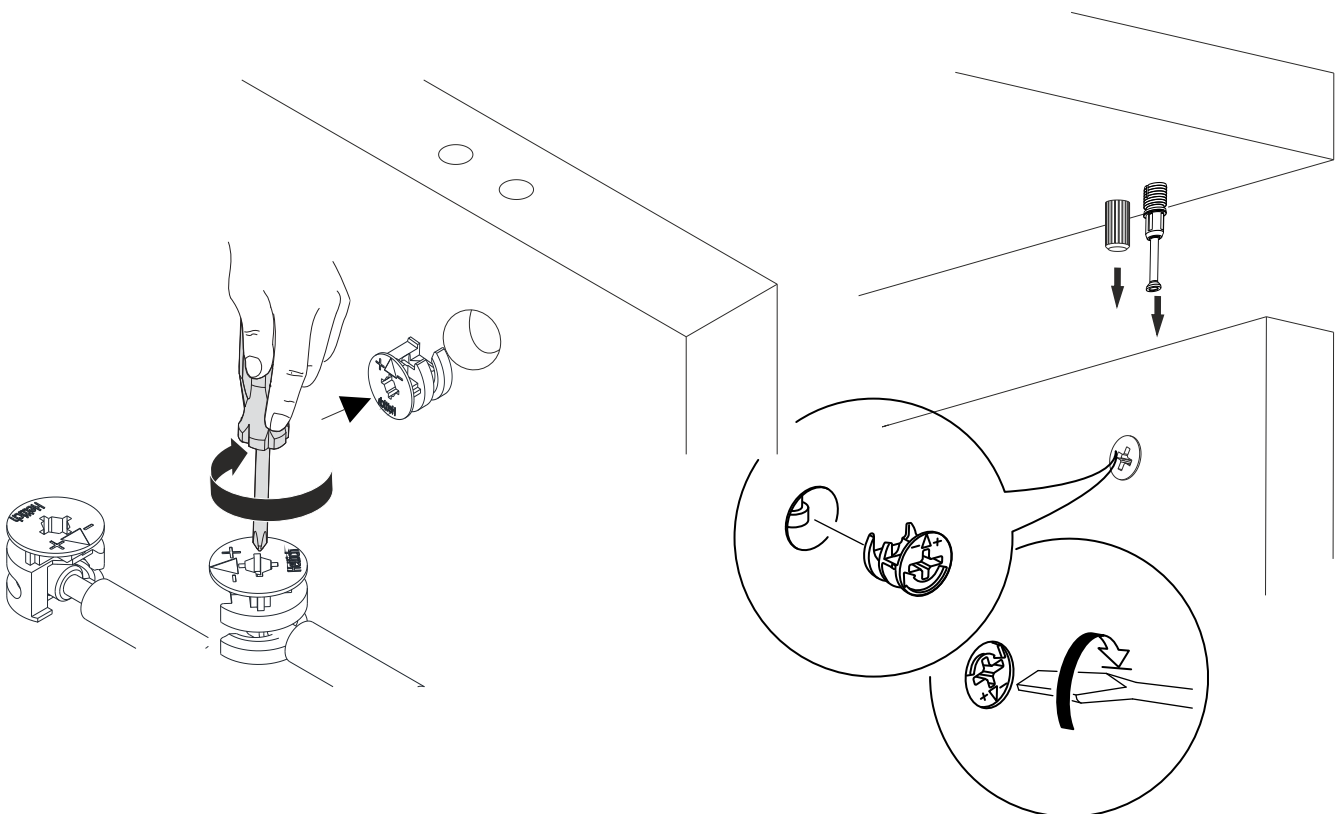
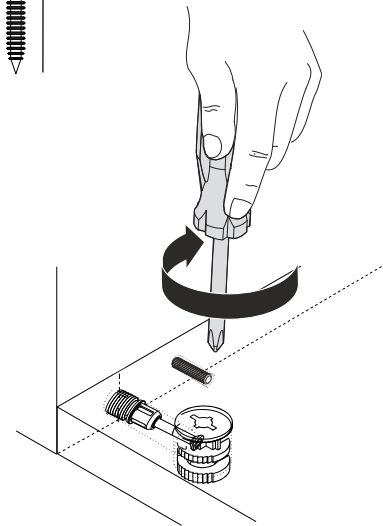
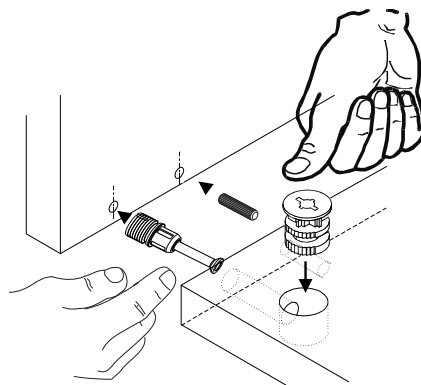
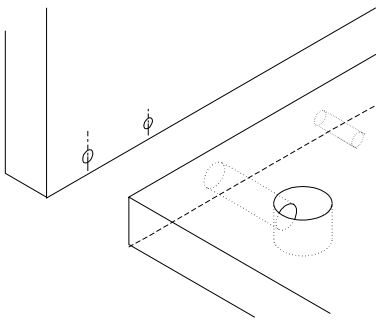
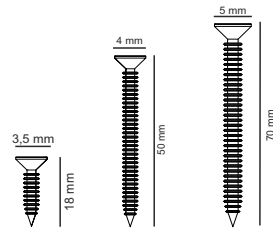
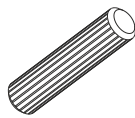
Minifix Körper
Minifix Gövde

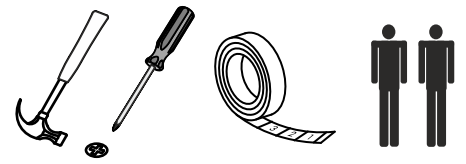


Minifix
Minifix Mil




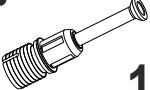
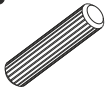
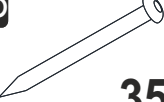



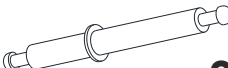

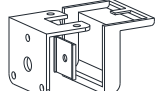


Dübel
Kavala



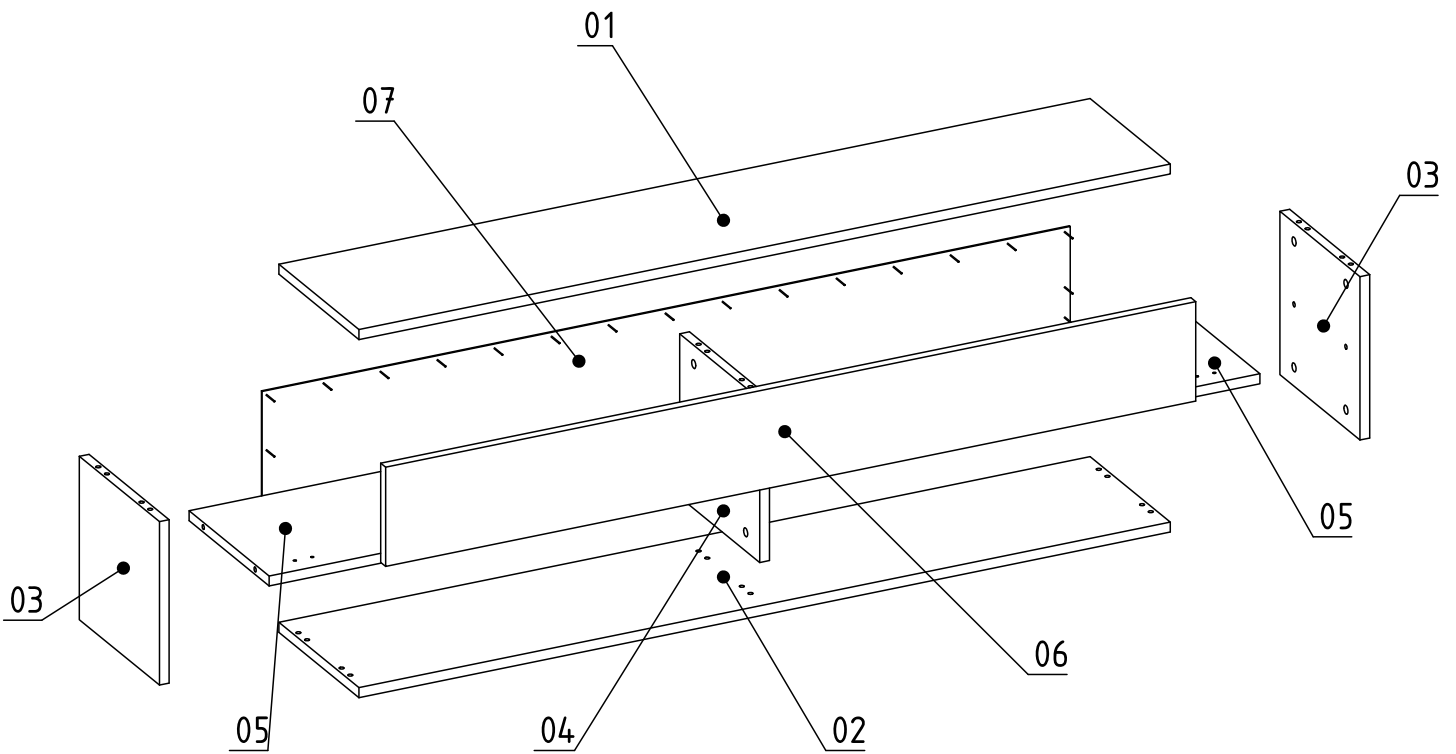


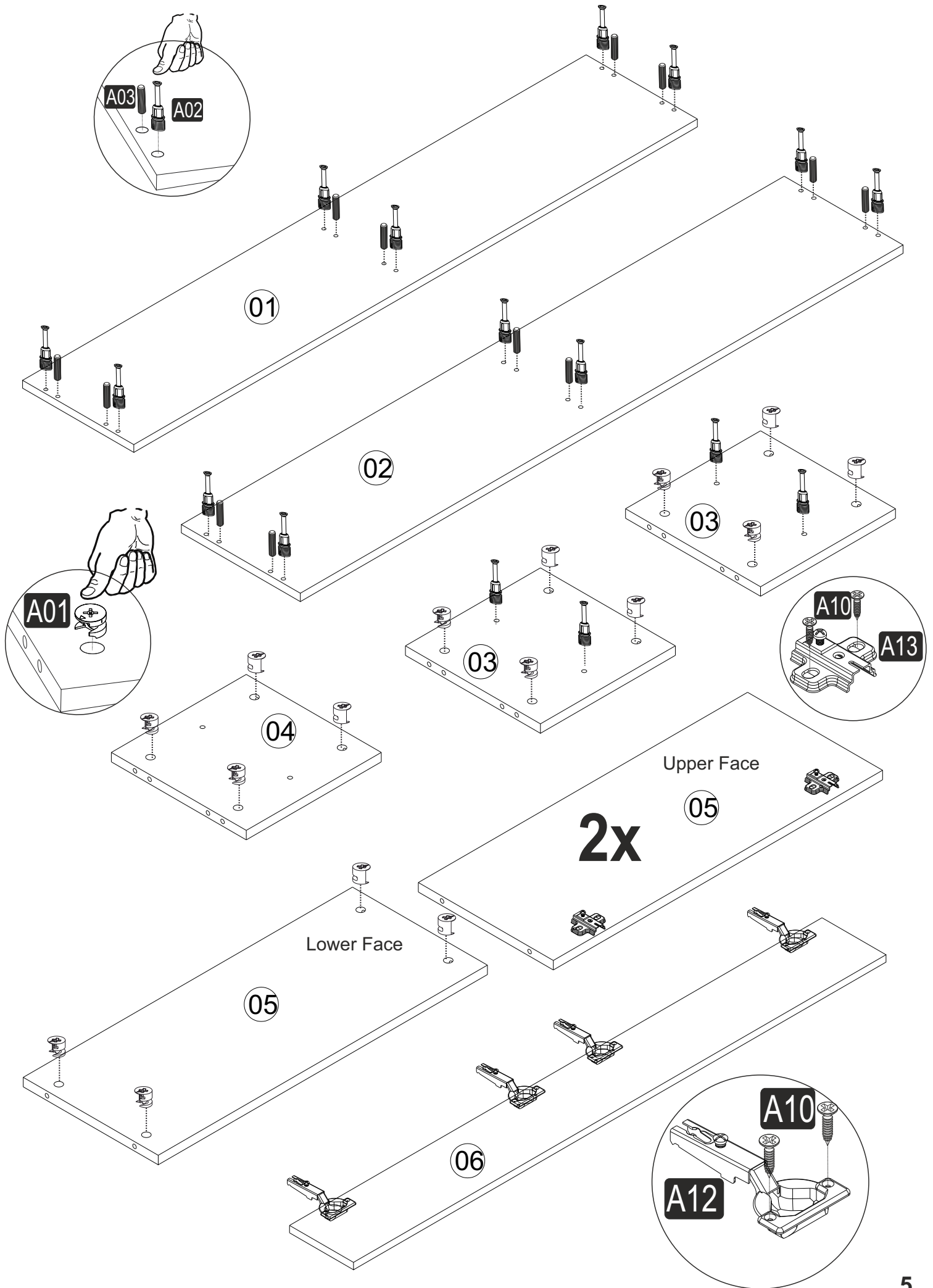
ACCESSORY LIST

The necessary tools (not included)

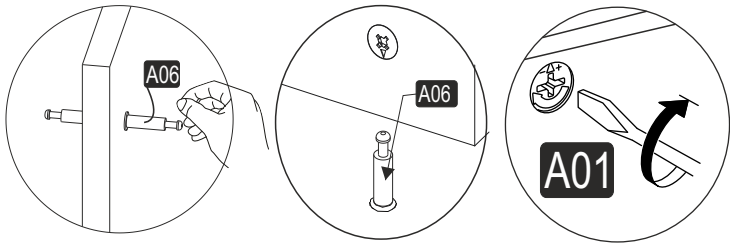
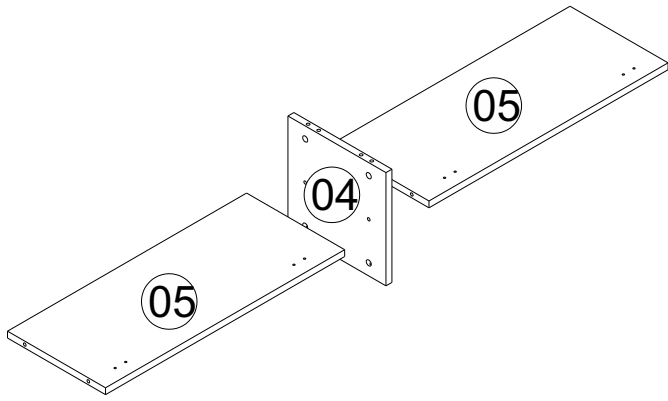
A01  20x	A02  16x	A03  12x	A28  35x	A13 MA  4x
A12 DM  4x	A04  A 20x	A06  2x	A10 3,5x18 YHB  24x	
A41  4x	D41 5x70 YHB  4x	E34  4x		

GENERAL VIEW

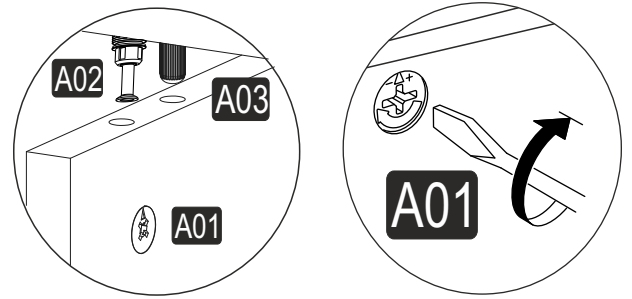
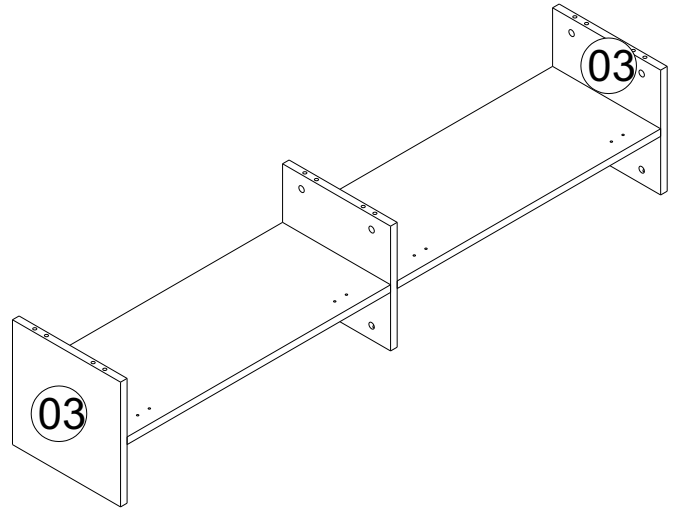




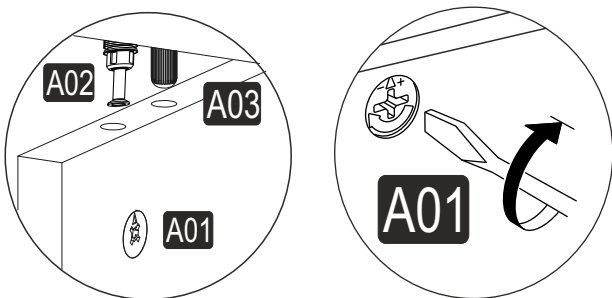
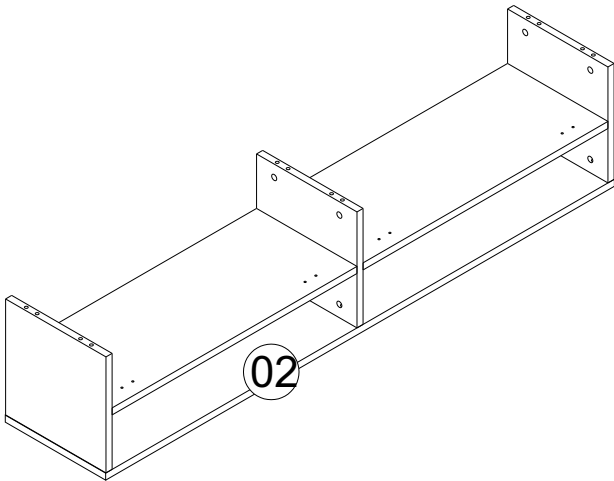
2



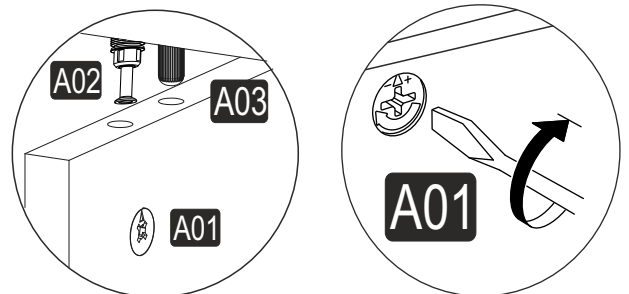
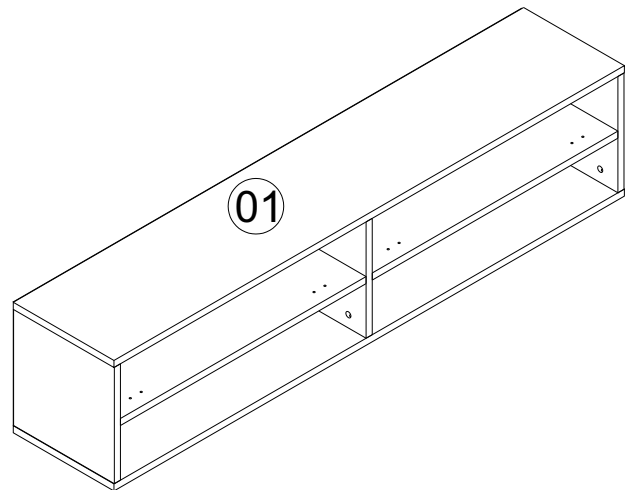
3



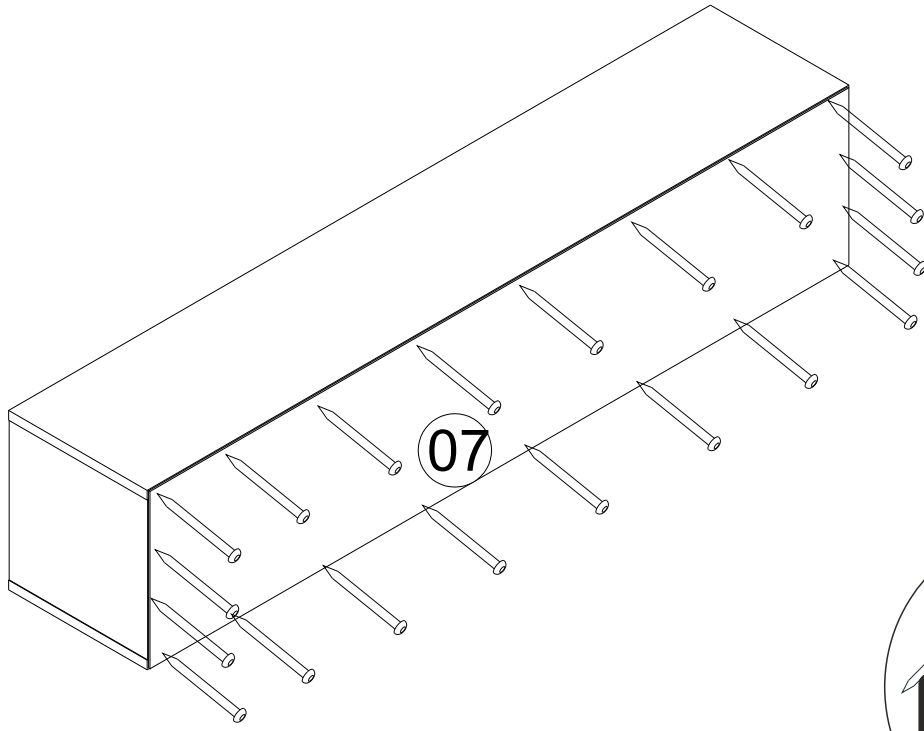
4



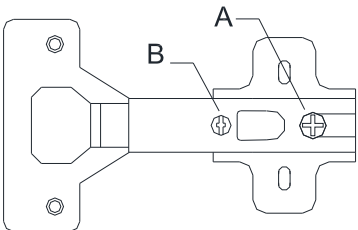
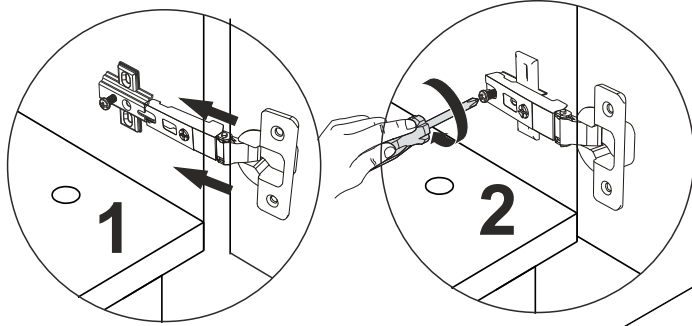
5



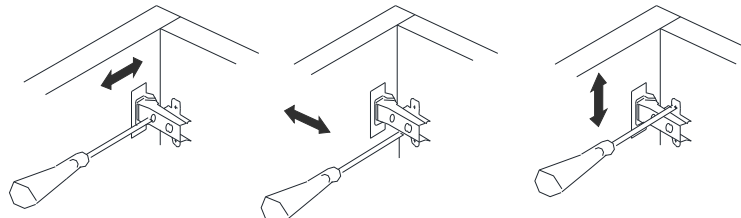
6



7



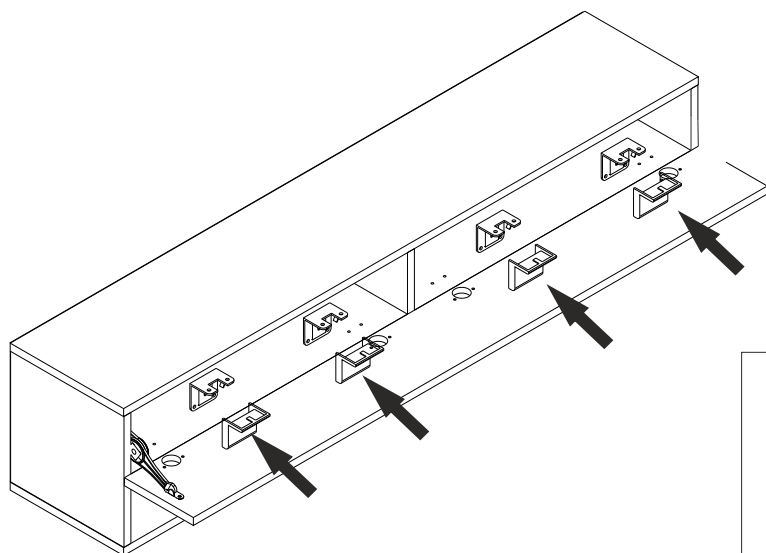
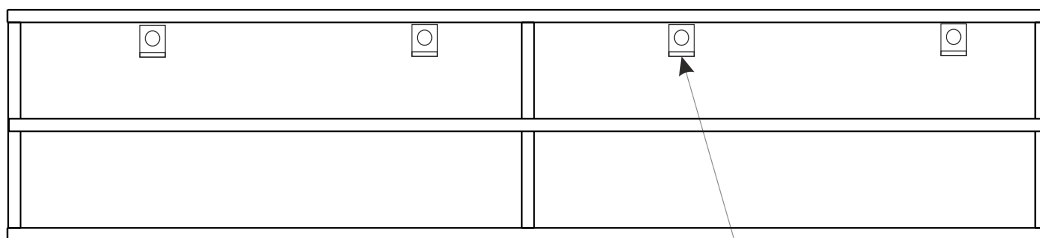
A= menteşe bağlama vidası / to connect the hinge to the door
B = kapak ayar vidası / to arrange the door



oklar kapağın ayarlama yönünü gösterir.
arrows to show the directions for arrangement of doors.

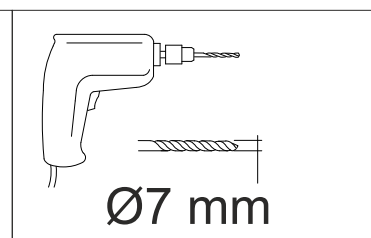
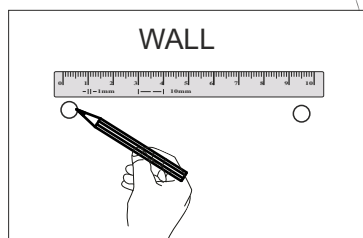
7

9



PART-1

PART-2

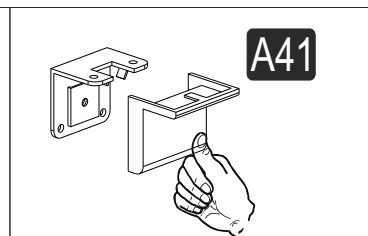
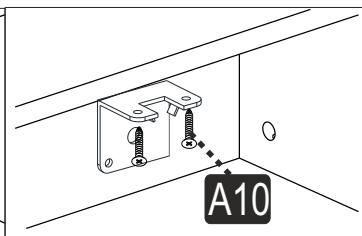
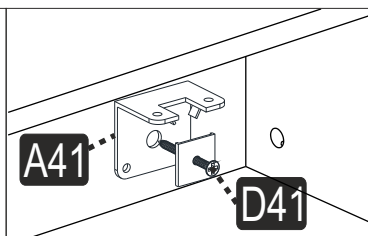
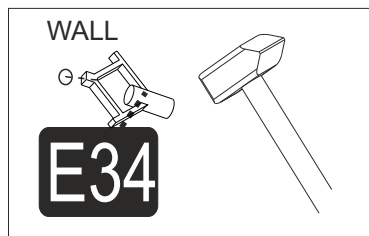


PART-3

PART-4

PART-5

PART-6



10

