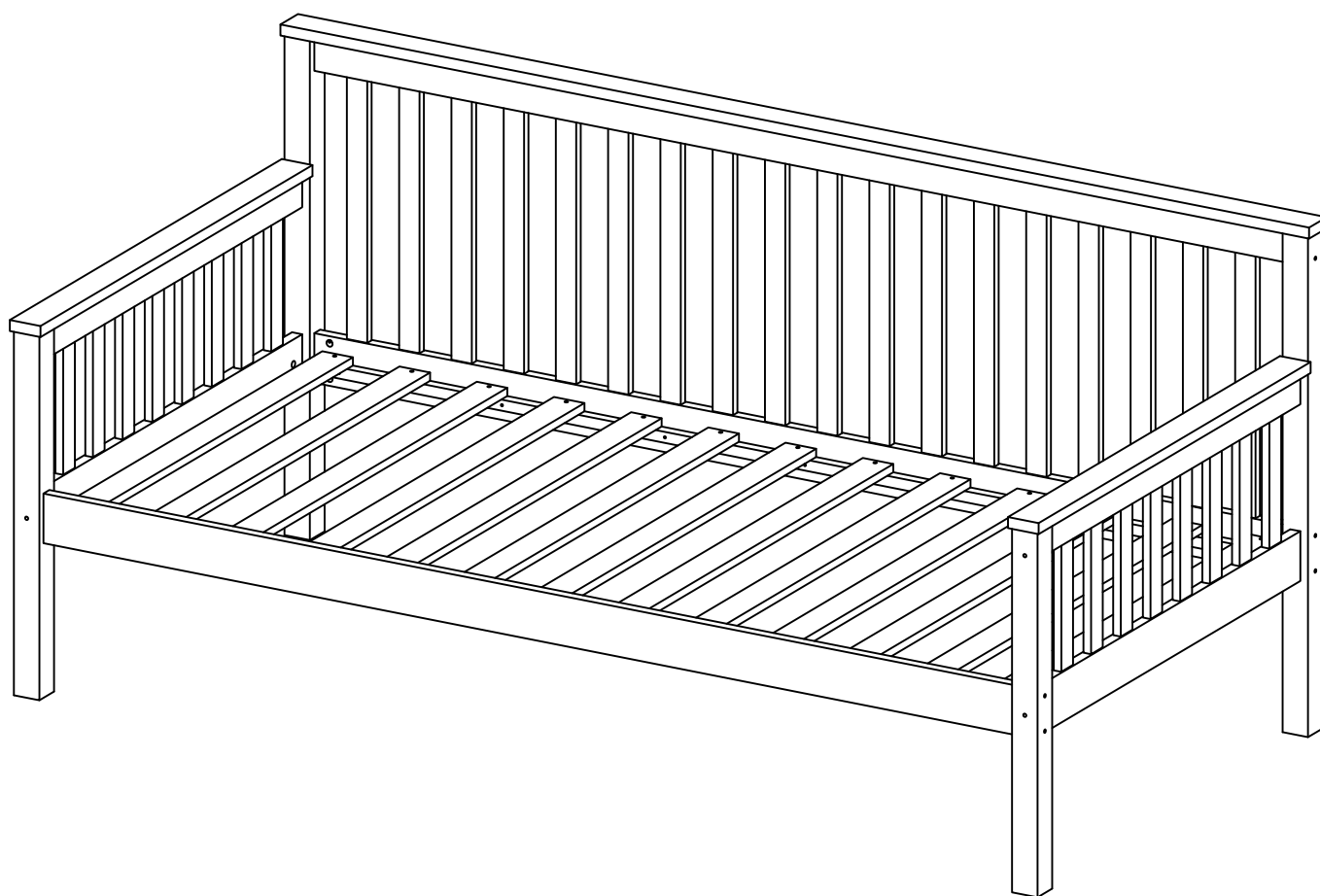
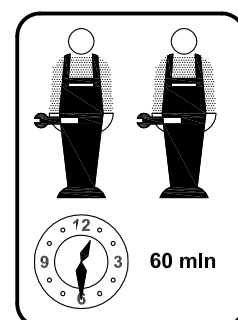


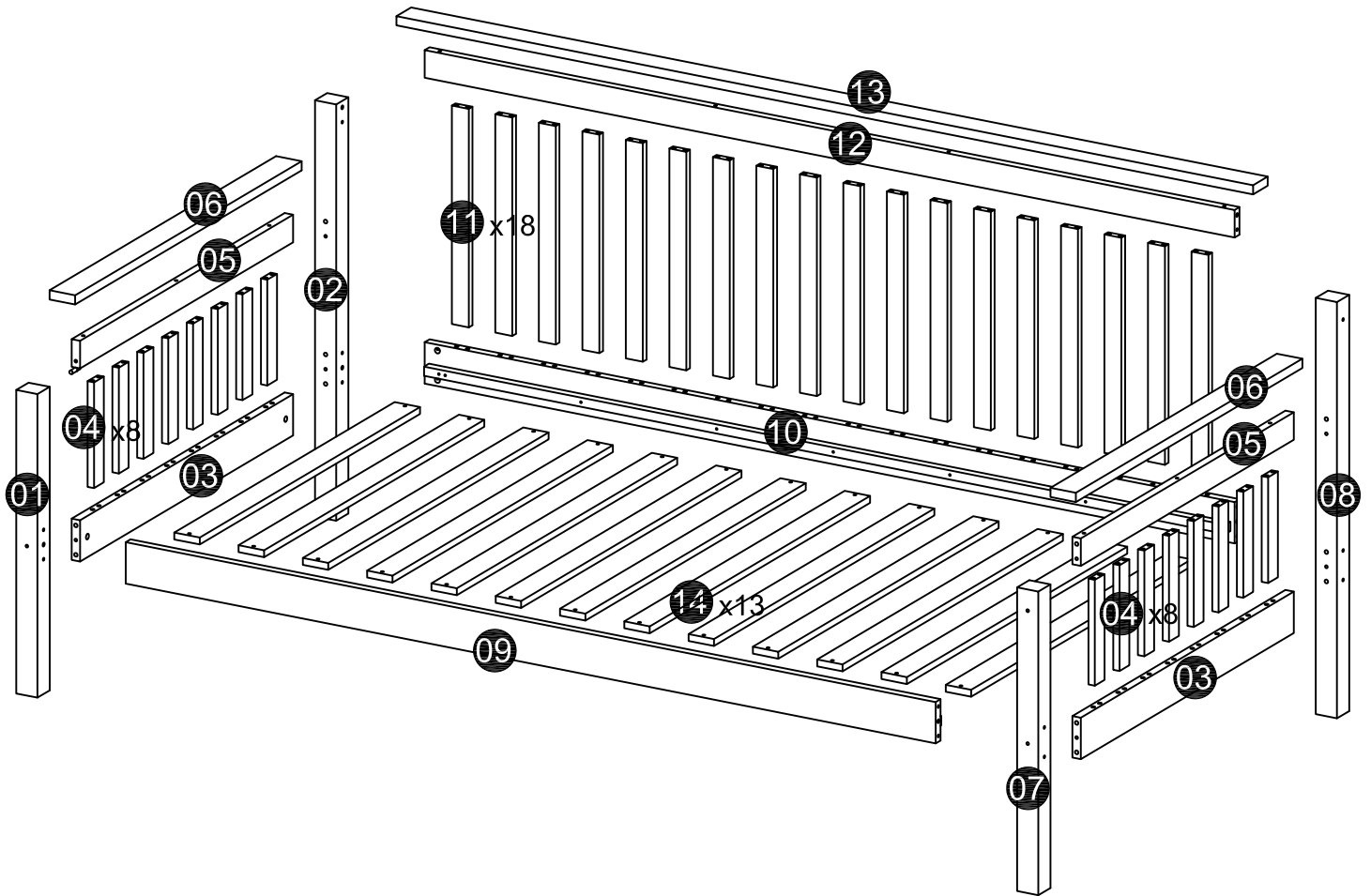
SINGLE BED

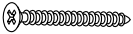
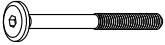


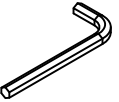
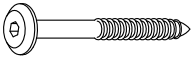
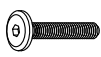


READ THE ASSEMBLY INSTRUCTIONS CAREFULLY. IDENTIFY THE ELEMENTS CONSTITUING YOUR PIECE OF FURNITURE. GROUP AND CHECK THE HARDWARE FITTINGS. GET THE TOOLS NEEDED. CLEAR SPACE TO WORK. PROCEED TO ASSEMBLE

NEVER FORCE THE FITTINGS. TIGHTEN THE SCREW AFTER USING FOR SOMETIME. KEEP YOUR ASSEMBLY INSTRUCTIONS, IT COULD HELP FOR BETTER COMMUNICATION WITH YOUR STORE. IN THE EVENT OF QUERY.





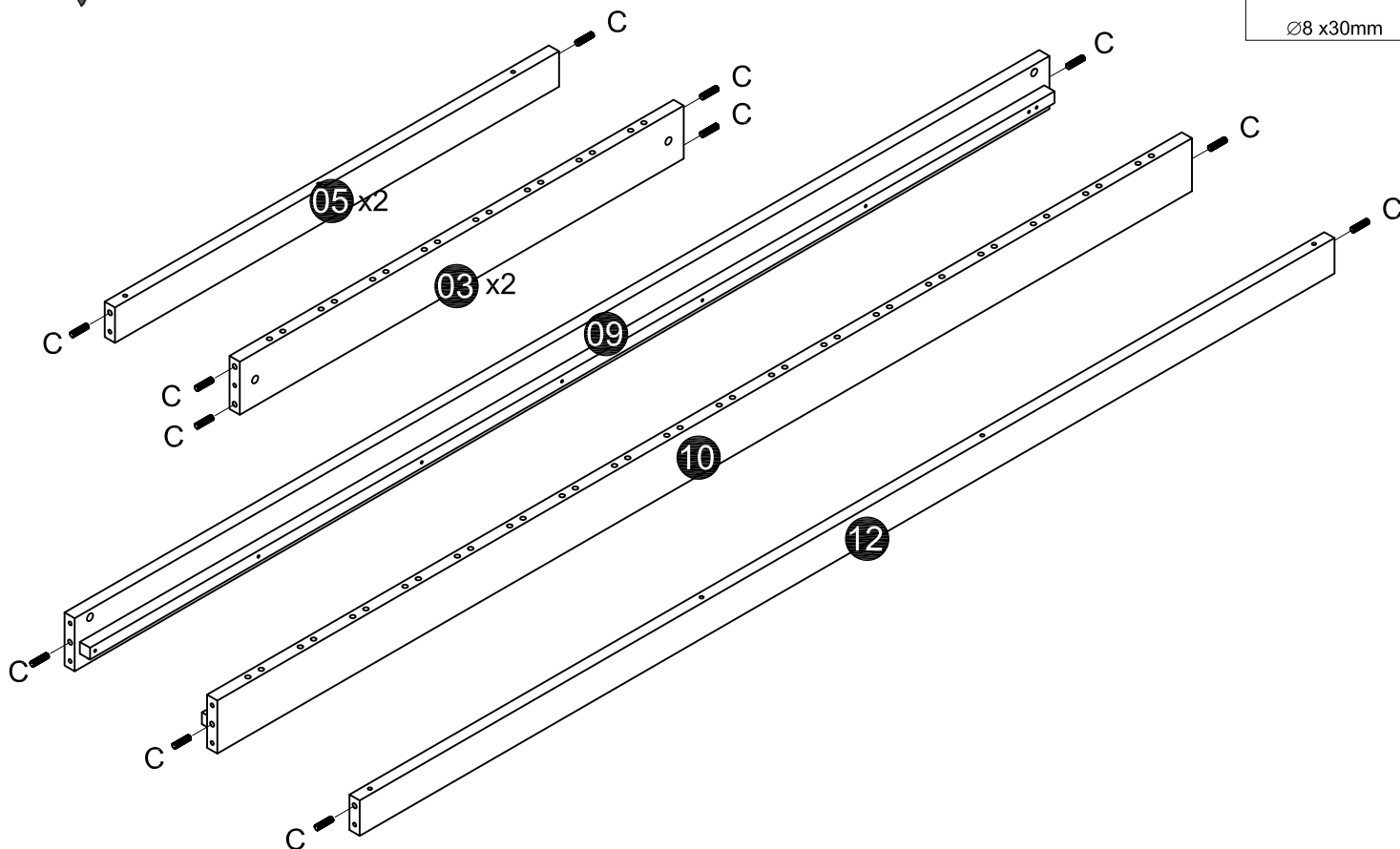
<p>A x26</p>  <p>∅4 x30mm</p>	<p>B x12</p>  <p>M6 x90mm</p>	<p>C x154</p>  <p>∅8 x30mm</p>	<p>D x12</p> 	<p>E x1</p> 
<p>F x6</p>  <p>∅6 x90mm</p>	<p>G x10</p>  <p>M6 x70mm</p>			

01

C x18



Ø8 x30mm

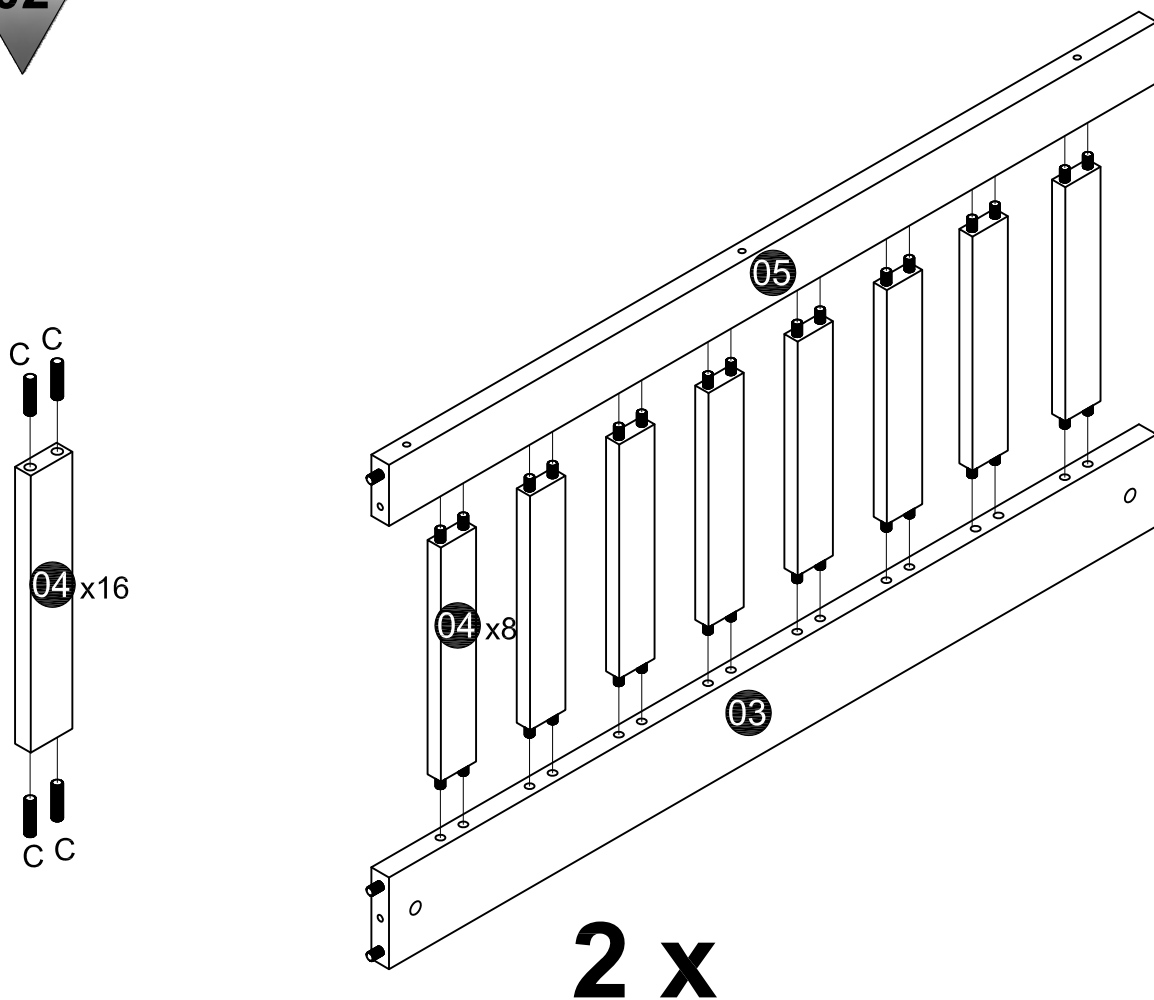


02

C x64

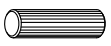


Ø8 x30mm

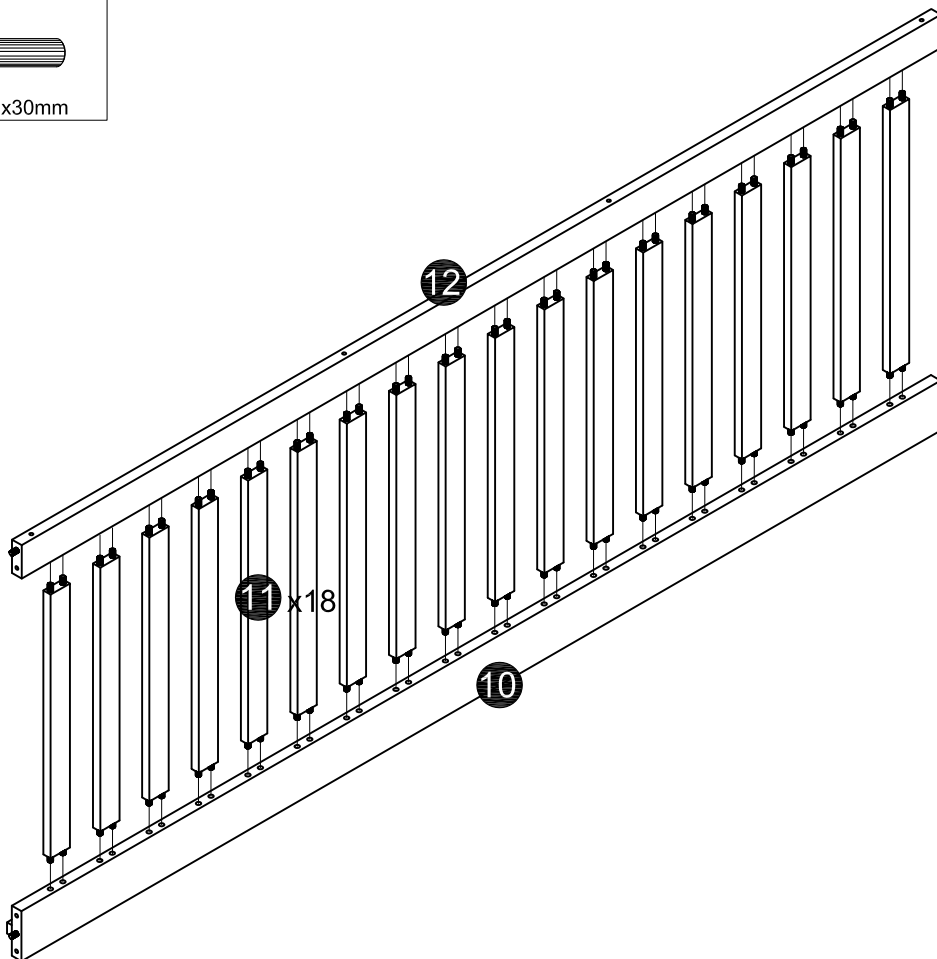
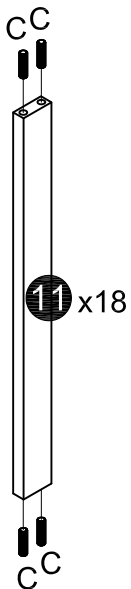


03




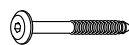
C x72

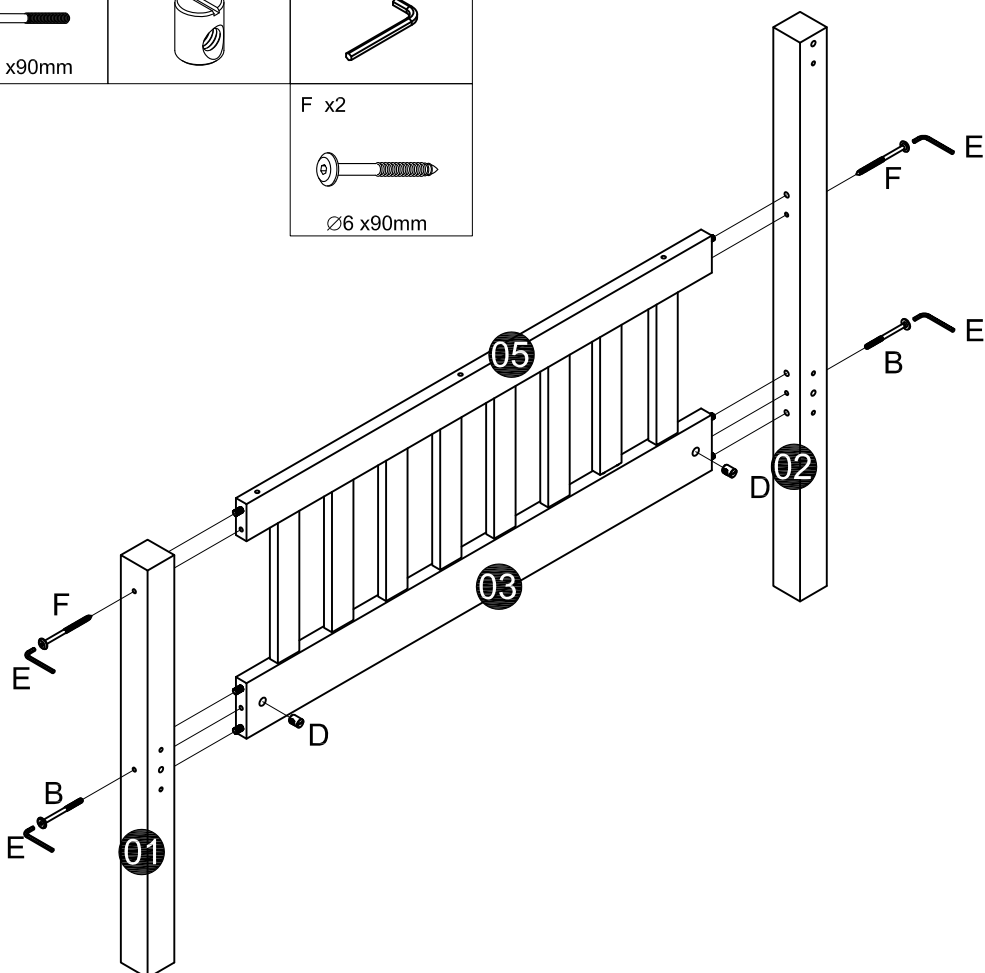


∅8 x30mm

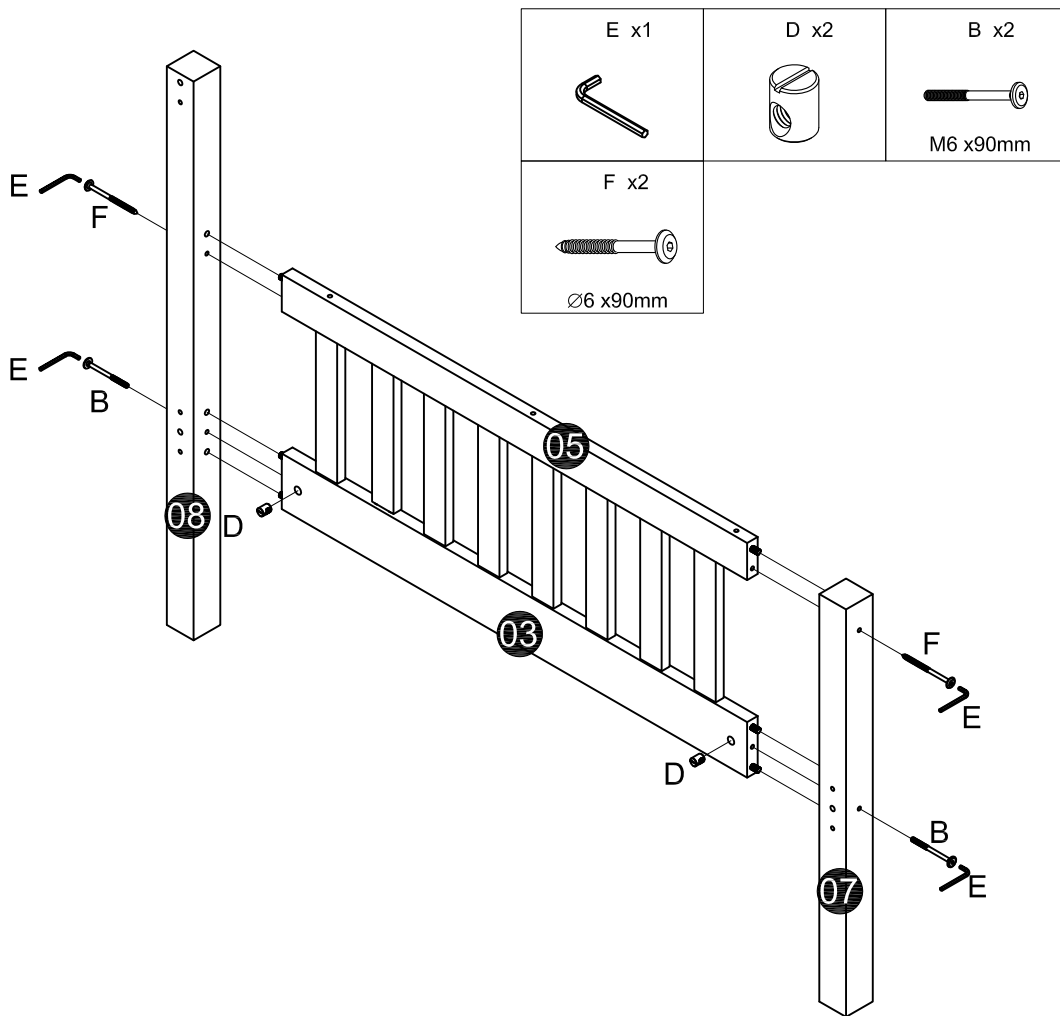


04

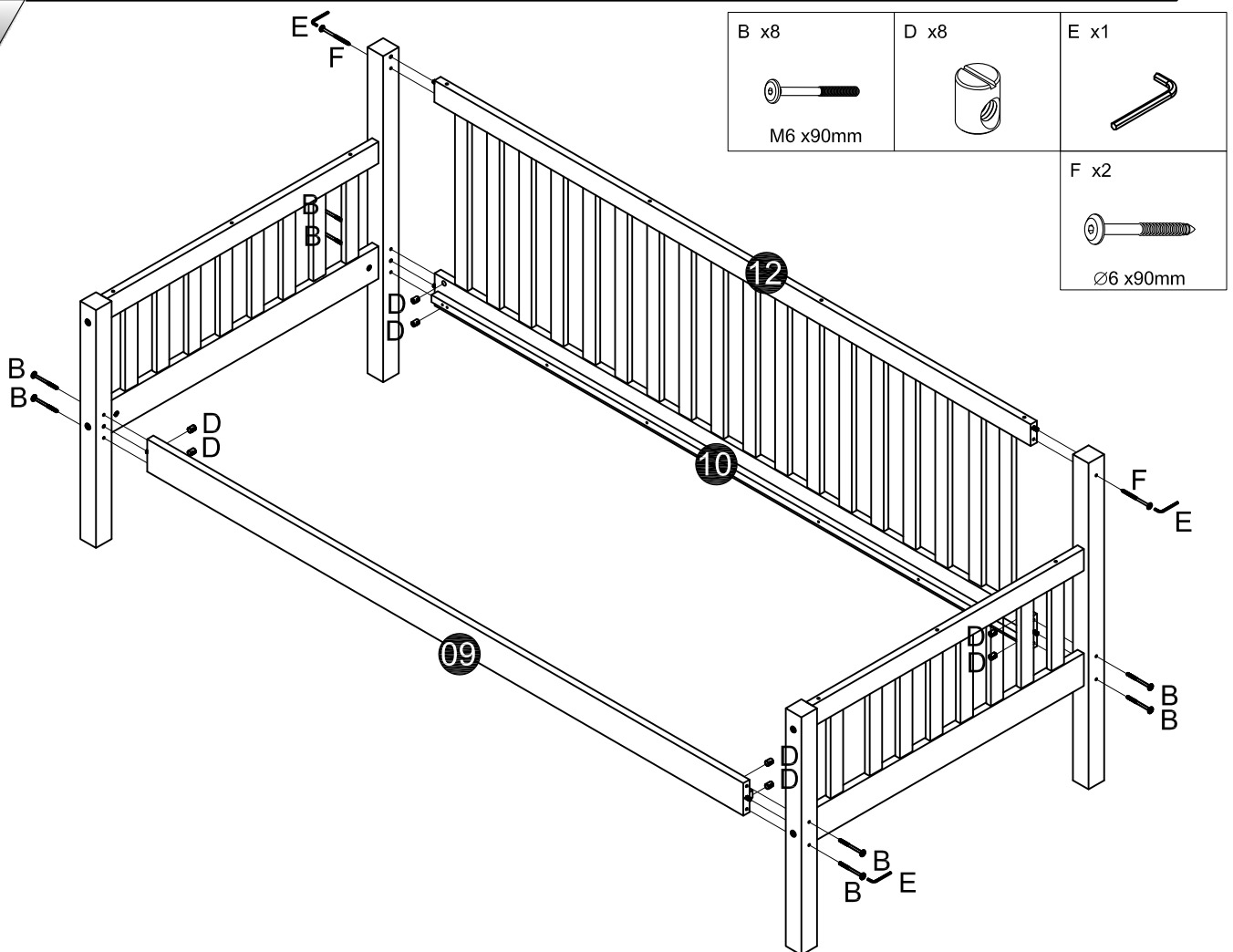
B x2	D x2	E x1
		
M6 x90mm		
	F x2	
		
	∅6 x90mm	



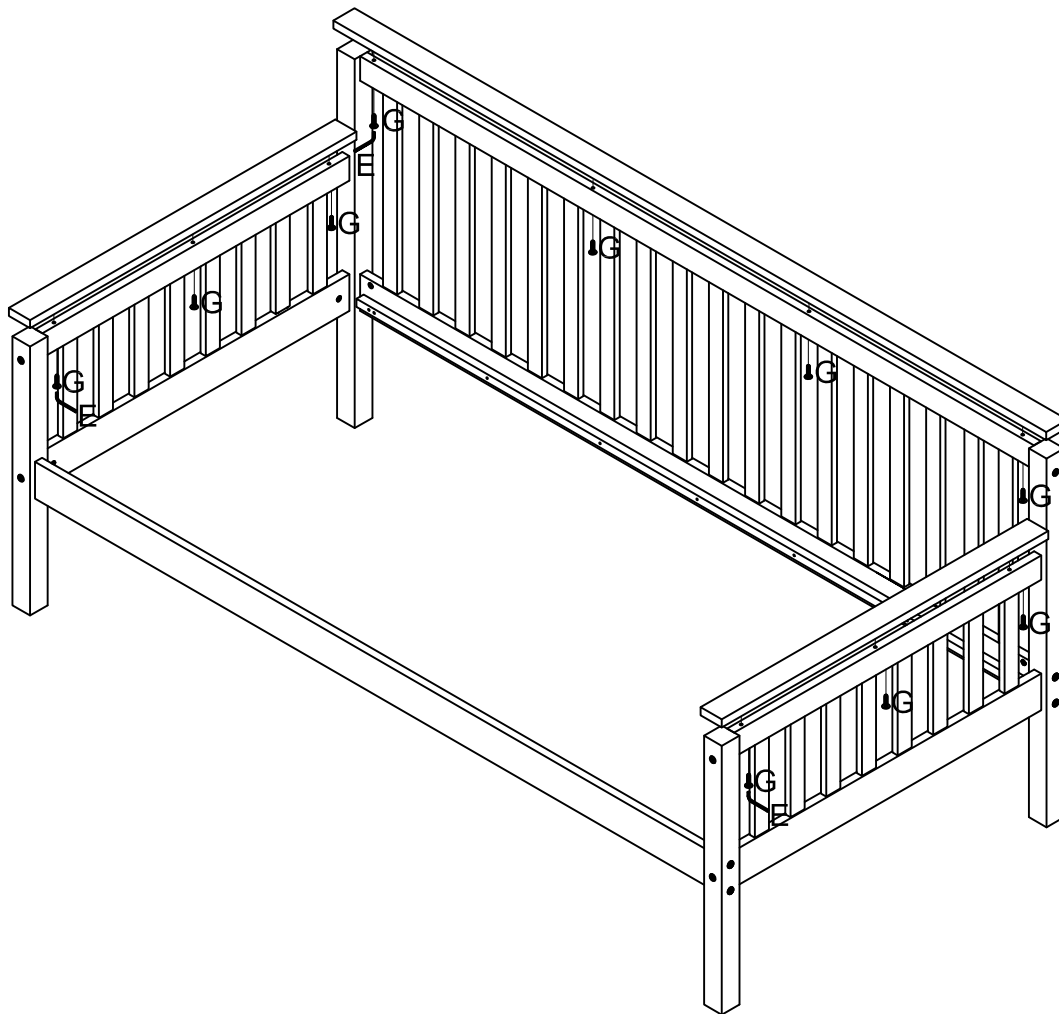
05




06



07




G x10

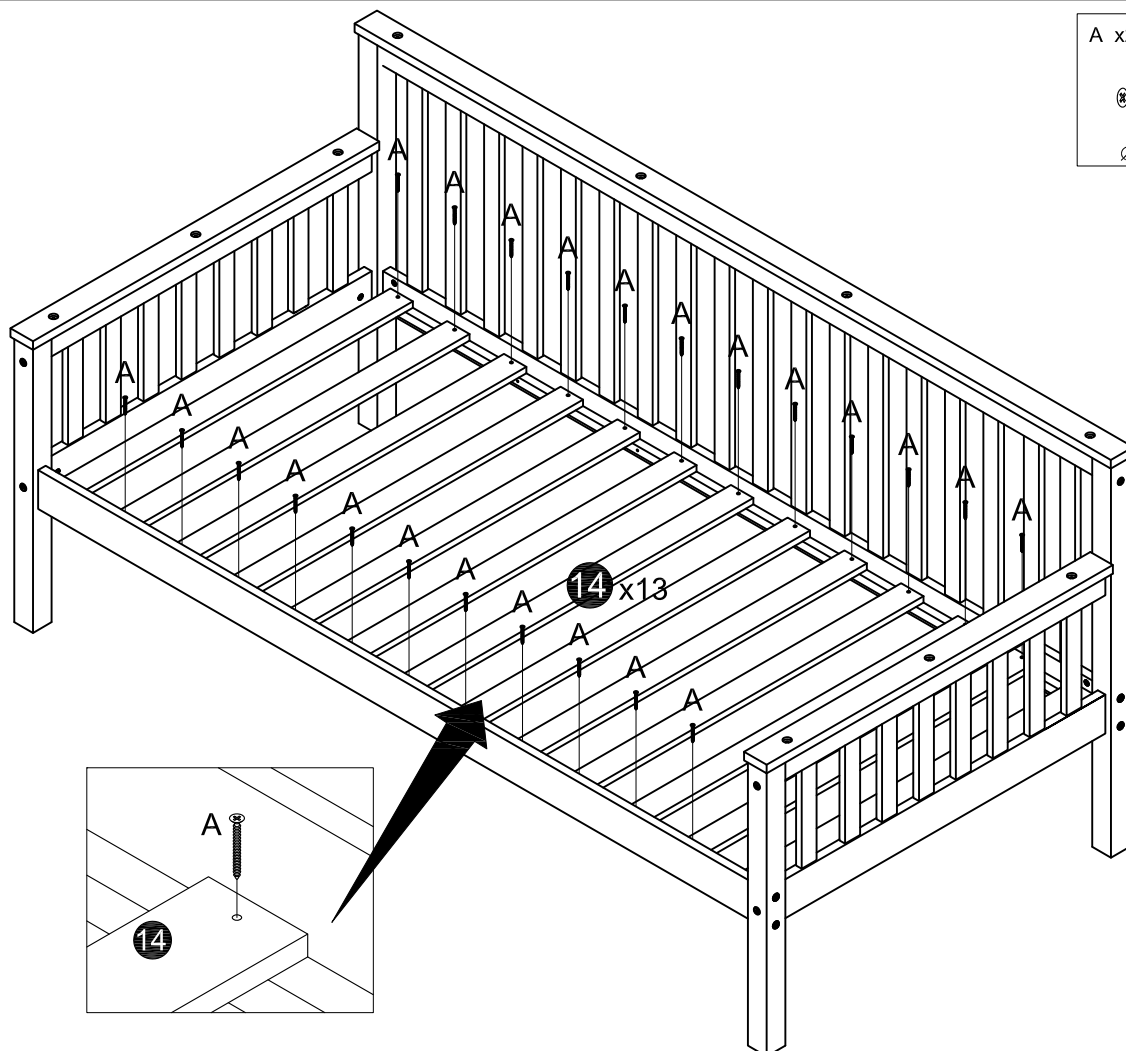


M6 x70mm


E x1



08



A x26



Ø4 x30mm