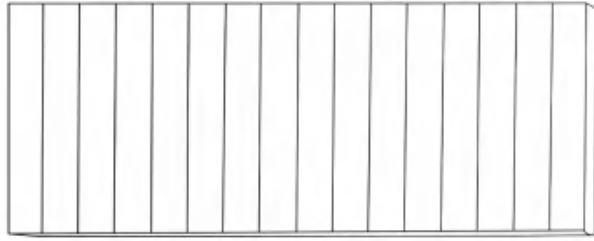


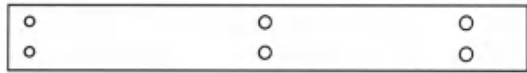
Part List



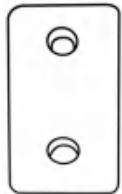
A Bench panel×1



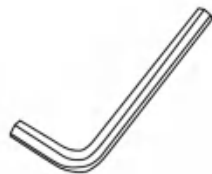
B shelf×2



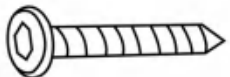
C Leg×4



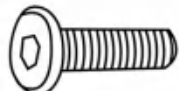
D Screw nut×4



E Wrench×1

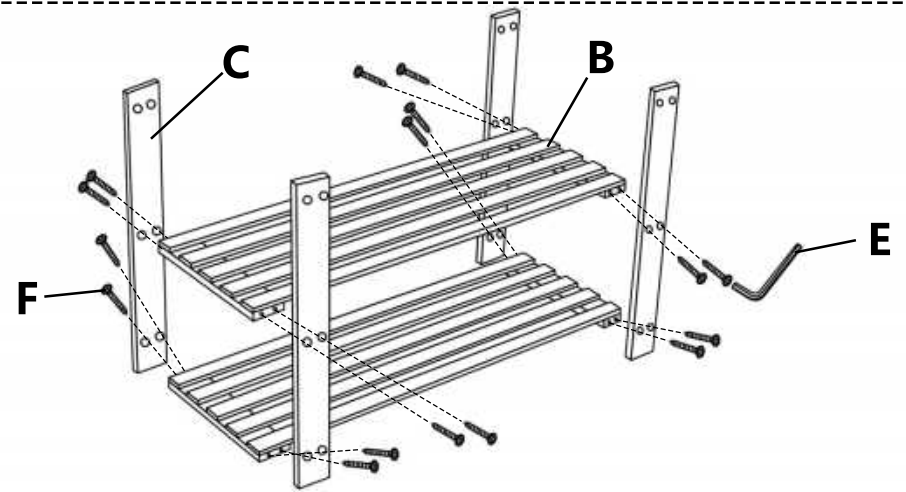


M 4×35
F Screw×16

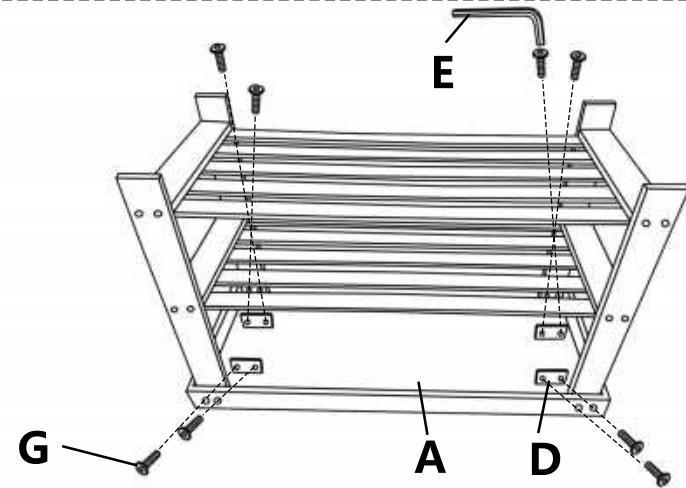


M 6×25
G Screw×8

1.



2.



3.

