













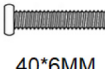





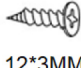




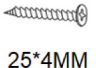

Thank You For Shopping With COZAYH HOME

We value your feedback and want to hear from you. To let us know how we can improve your shopping experience, or to ask a specific question about your order, please find our contact information below.

Customer Service Line: 1.312.600.5553 (M-F 9am-5pm Central Time)

Customer Service Email: Support@cozayh.com

Website: www.cozayhhome.com

 SKU: F02077 Assembly Instructions Laying out all the parts and hardware and identifying each part as shown may help you when you assemble the table.											
ITEM	PART	QTY	ITEM	PART	QTY	ITEM	PART	QTY	ITEM	PART	QTY
A	 Top Panel	1	D	 Side Panel	1	G	 Drawer Back Panel	1	J	 Drawer Side Panel	1
B	 Front Panel	1	E	 Back Panel	1	H	 Drawer Front Panel	1	K	 Drawer Bottom Panel	1
C	 Side Panel	1	F	 Base Panel	1	I	 Drawer Side Panel	1			
Z1	 40*6MM	4	Z5	 1	1	Z9	 2	2	Z13	 2	2
Z2	 30*6MM	4	Z6	 4	4	Z10	 12*3MM	2			
Z3	 8	8	Z7	 4	4	Z11	 1	1			
Z4	 4	4	Z8	 25*4MM	4	Z12	 16*4MM	2			



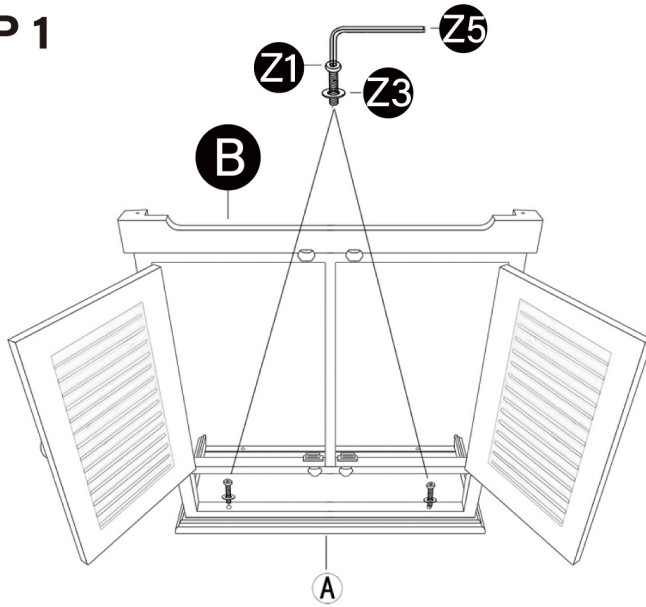
WARNING

- Do not dispose of any packaging or contents of the shipping carton until assembly is completed to avoid accidentally discarding small parts or hardware.
- Choking Hazard - Adult assembly required. It may contain small parts and sharp points.
- Do NOT use power tools.
- This product can hold a maximum load of 50 Lbs. Do NOT overload.



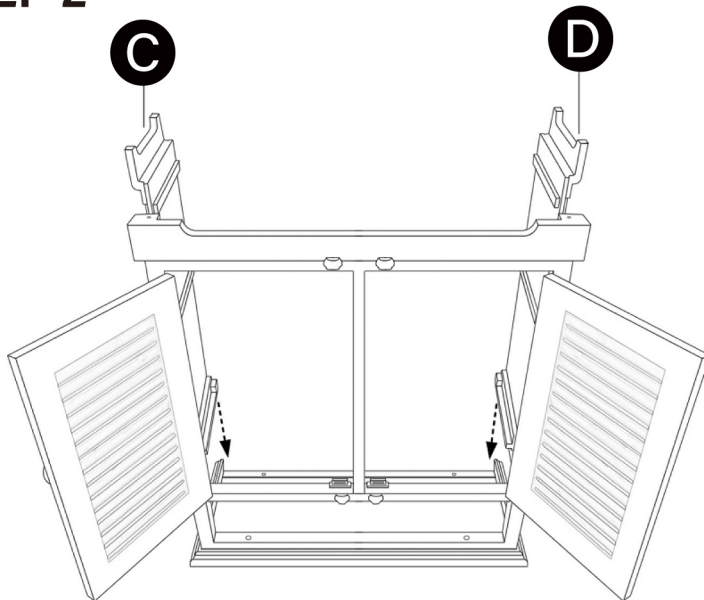
COZAYH HOME

STEP 1



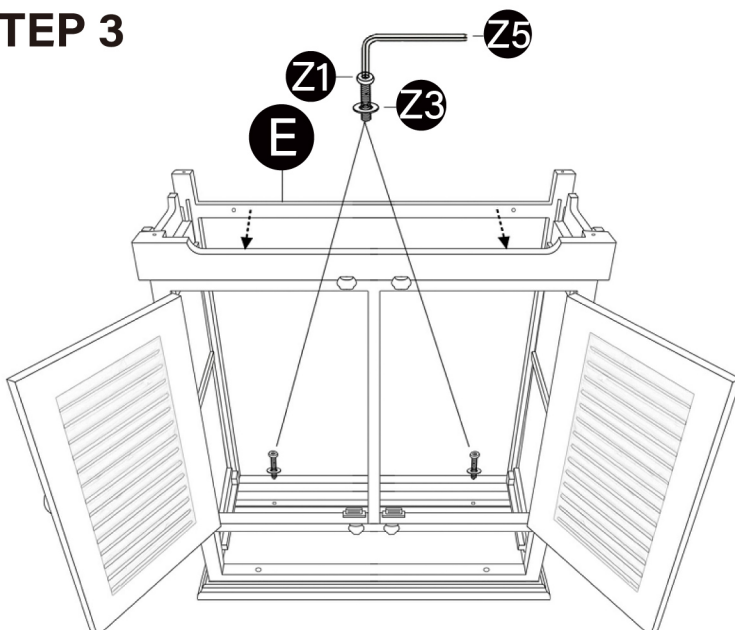
Flip the top panel upside down and attach the front panel with LONGER screws.

STEP 2



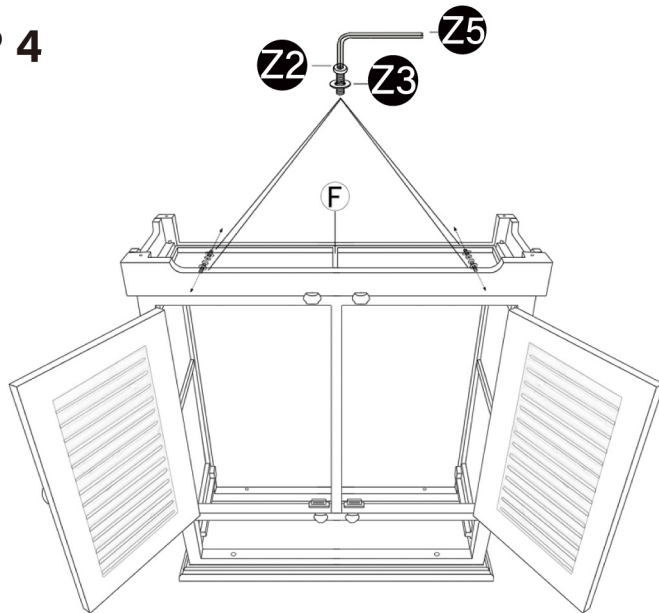
Tuck in the side panels.

STEP 3



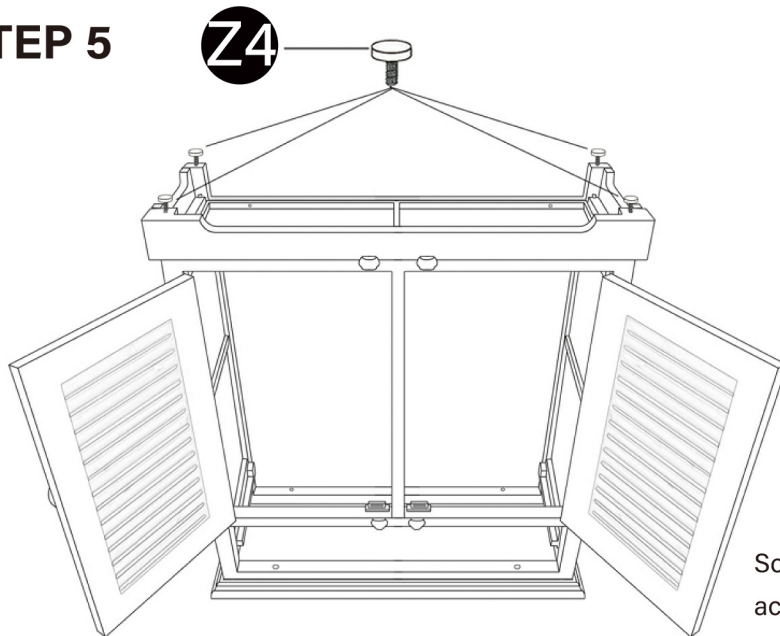
Attach the back panel to the top panel using LONGER screws.

STEP 4



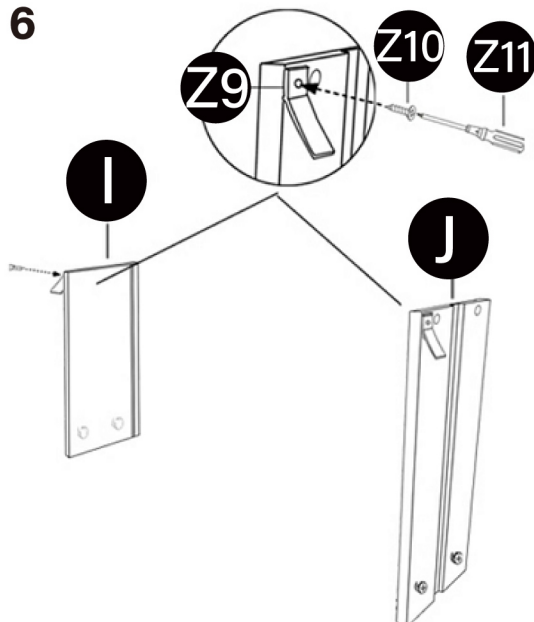
Connect base panel with both front and back panels using SHORTER screws.

STEP 5



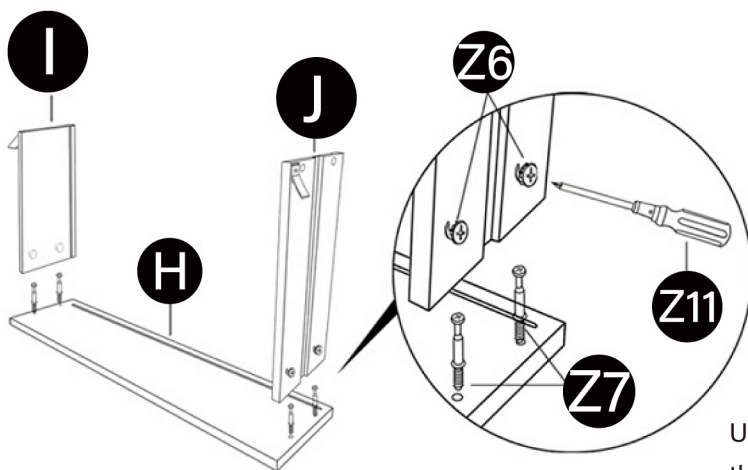
Screw in the levelers and adjust accordingly.

STEP 6



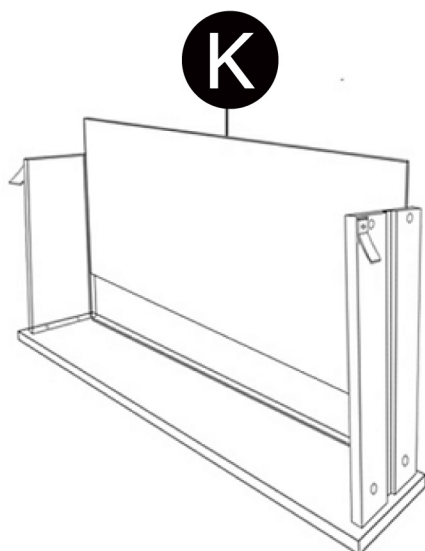
Attach the stoppers to the outer side of the drawer side panels.

STEP 7



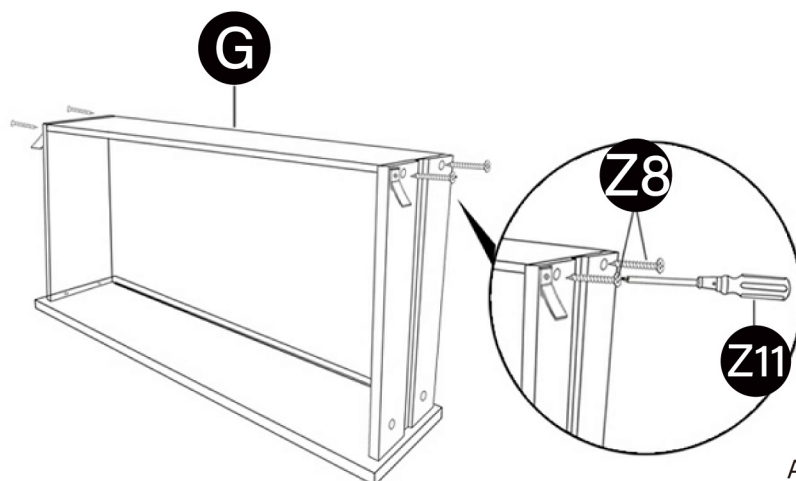
Use the flat pack connectors to attach the drawer side panels to the front panel.

STEP 8



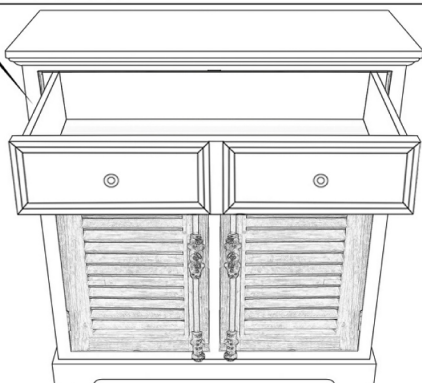
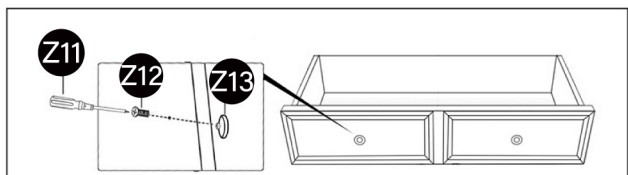
Slide the bottom panel.

STEP 9



Attach the back panel to the rest.

STEP 10



Screw in the drawer handles.