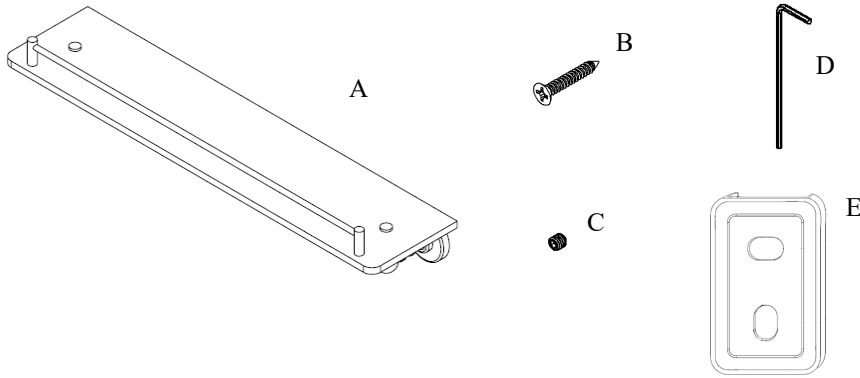


Glass Shelf Installation Guide



Parts Included	QTY
A - Glass Shelf	1
B - Screw	4
C - Set Screw	2
D - Allen Key	1
E - Bracket	2

Description	Finish	Weight (lb)	WxHxD (mm)	WxHxD (Inches)	Metal Type
Glass Shelf	Chrome	3.30	520 x 95 x 124	20.4 x 3.8 x 4.9	Brass
Glass Shelf	Brushed Nickel	3.30	520 x 95 x 124	20.4 x 3.8 x 4.9	Brass
Glass Shelf	Polished Nickel	3.30	520 x 95 x 124	20.4 x 3.8 x 4.9	Brass

Warranty: 2 Years

Care & Maintenance: A periodic wash using warm water and a soft cloth will retain the high quality finish of your product for many years to come. ON NO ACCOUNT should any household bleaches, detergents, abrasive polishes, steel wool or other cleaning agents be used on this item.

