

30-Inch Combi Wall Oven with Steam

CONTEMPORARY

dacor



DOC30M977DS/DA - Silver Stainless
DOC30M977DM/DA - Graphite Stainless

Features & Benefits

- Steam-Assist oven
- Convection speed oven
- Dual Four-Part Pure Convection system
- BrightVue™ LED & halogen lighting
- 7-inch LCD control panel with SmartThings Wi-Fi connectivity
- Chef Mode guided cooking
- Digital temperature probe
- Self-clean oven
- Healthy fry
- SoftShut™ hinges

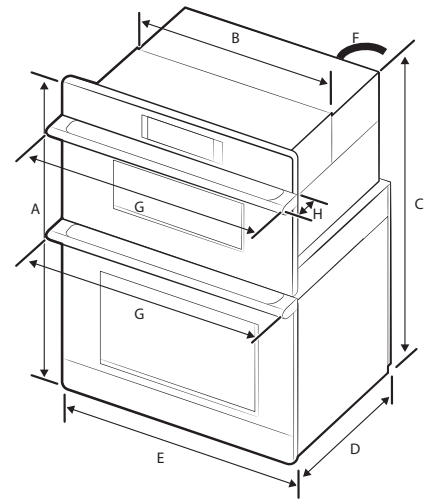
Controls	
CONTROL TYPE	7" Motorized LCD Touchscreen
CHEF MODE GUIDED COOKING	Yes
WI-FI + SMARTTHINGS	Yes
CLOCK	Yes
DELAY START	Yes
KITCHEN TIMER	Yes
CHILD LOCK	Yes
SABBATH MODE	Yes
Microwave Oven	
MICROWAVE CAPACITY (CU. FT.)	1.9
MICROWAVE POWER	950W
CONVECTION	Yes
SPEED CONVECTION SEAR	Yes
SPEED BROIL	Yes
LIGHTING	White
Steam Oven	
OVEN CAPACITY (CU. FT.)	4.8
CONVECTION	Four-Part Pure Convection
STEAM	Steam-Assist (Lower)
BAKE ELEMENT	3,000W - 8 Pass
BROIL ELEMENT	4,400W - 10 Pass
CONVECTION ELEMENT	2 x 1,300W
INSTANTHEAT™ (NO PREHEAT)	Yes
TEMPERATURE PROBE	Yes
LIGHTING	BrightVue™ - LED & Halogen
SELF-CLEAN	Self-Clean, GreenClean™
SOFTSHUT™	Yes
Weights & Dimensions	
NET WEIGHT (LBS.)	303
SHIPPING WEIGHT (LBS.)	333
PRODUCT DIMENSIONS (W X H X D IN INCHES)	29 ¾ x 43 ¾ x 23 ½
STANDARD CUTOUT REQUIRED (W X H X D IN INCHES)	28 ⅝ to 28 ¾ x 42 ¼ x 23 ½ (min)
FLUSH CUTOUT REQUIRED (W X H X D IN INCHES)	30 ⅝ to 30 ⅞ x 43 ⅞ (min) x 24 ⅜ (min)
Technical Details	
ELECTRICAL REQUIREMENT	240/208V, 60 Hz, 40A
Warranty	
FULL COVERAGE	2 Years

30-Inch Combi Wall Oven with Steam

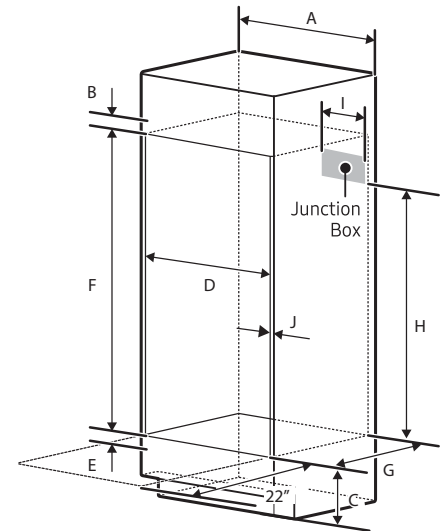
CONTEMPORARY

dacor

Product Dimensions	
A - (IN/CM)	43 ⁵ / ₈ / 110.2
B - (IN/CM)	28 ¹ / ₂ / 72.4
C - (IN/CM)	42 / 106.7
D - (IN/CM)	23 ⁵ / ₈ / 58.7
E - (IN/CM)	29 ³ / ₄ / 75.6
F - (IN/CM)	67 / 170
G - (IN/CM)	30 / 76.2
H - (IN/CM)	2 ¹ / ₄ / 5.6



Installation Cutout Dimensions (Standard)	
A - (IN/CM)	30 / 76.2
B - (IN/CM)	MIN. 1 ³ / ₈ / 3.0
C - (IN/CM)	12 / 30.5
D - (IN/CM)	MIN. 28 ⁵ / ₈ - MAX. 28 ³ / ₄ / MIN. 72.7 - MAX. 73.0
E - (IN/CM)	MIN. 1 - MAX. 1 ¹ / ₄ / MIN. 2.5 / MAX. 3.2
F - (IN/CM)	42 ¹ / ₄ / 107.3
G - (IN/CM)	MIN. 23 ¹ / ₂ / MIN. 59.7
H - (IN/CM)	MIN. 30 ¹ / ₂ / MIN. 77.5
I - (IN/CM)	MAX. 9 ¹ / ₂ / MAX. 24.1 JUNCTION BOX
J - (IN/CM)	MIN. ¹ / ₈ / 1.75 - WOODEN CABINET THICKNESS



Installation Cutout Dimensions (Flush)	
A - (IN/CM)	MIN. 30 ⁵ / ₈ - MAX. 30 ⁵ / ₈ / MIN. 76.7 / MAX. 77.0
B - (IN/CM)	MIN. 1 ³ / ₈ / 3.0
C - (IN/CM)	12 / 30.5
D - (IN/CM)	MIN. 1 - MAX. 1 ¹ / ₄ / MIN. 2.5 - MAX. 3.2
E - (IN/CM)	43 ⁵ / ₈ / 110.9
F - (IN/CM)	MIN. 24 ¹ / ₈ / MIN. 63.0
G - (IN/CM)	MIN. 30 ¹ / ₂ / MIN. 77.5
H - (IN/CM)	MAX. 9 ¹ / ₂ / MAX. 24.1 JUNCTION BOX
I - (IN/CM)	MIN. ¹ / ₈ / 1.75 - WOODEN CABINET THICKNESS

