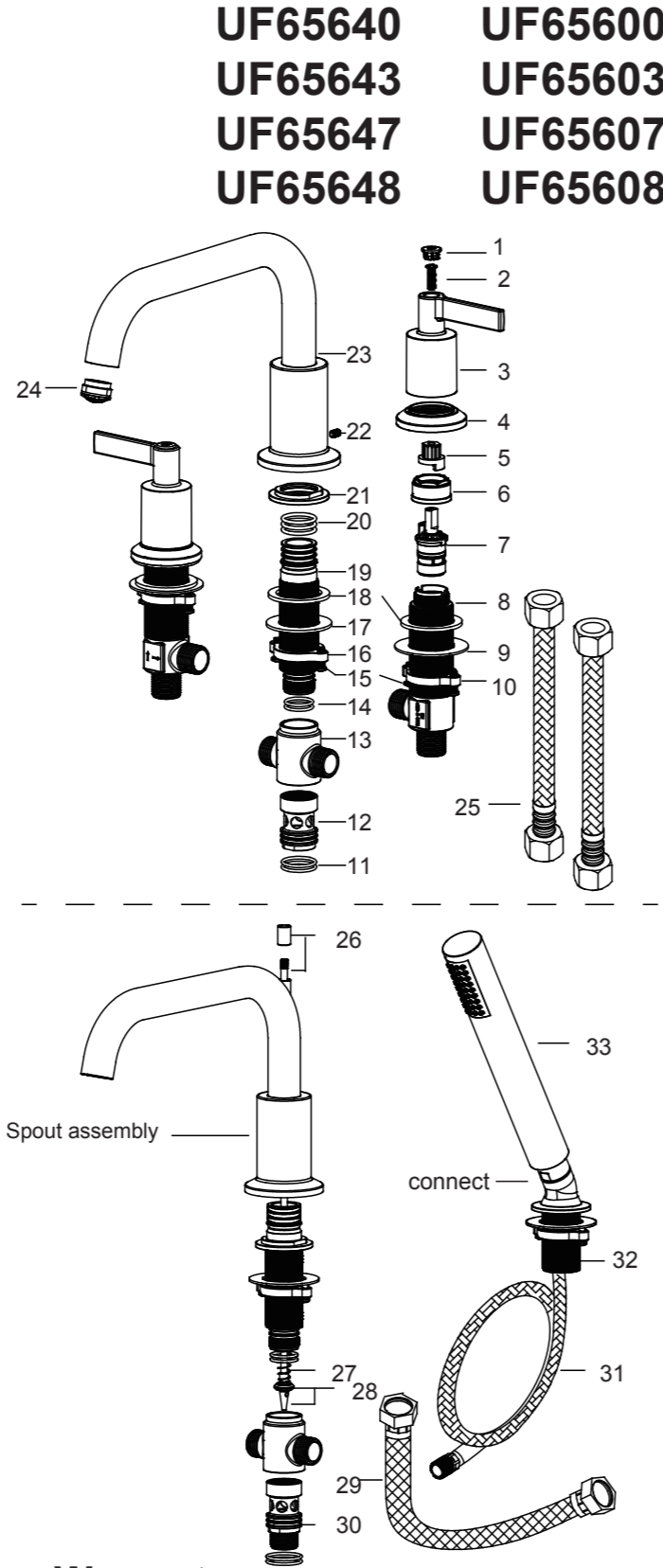


Replacement Parts / Pièces de rechange / Repuestos

| NO. | Description | Part No. |
|-----|----------------------|-----------------|
| 1 | Index H&C | 06806**&06807** |
| 2 | Screws | 06803 |
| 3 | Handles | 28802** |
| 4 | Flange | 06658** |
| 5 | Inverter H&C | 06628&06629 |
| 6 | Bonnet | 04009CP |
| 7 | Ceramic cartridge | 06840 |
| 8 | Valve body assembly | 06306 |
| 9 | Metal washer A | 08326 |
| 10 | Mounting nut A | 06667 |
| 11 | O-Ring A | 06686 |
| 12 | Connector A | 06670 |
| 13 | T-Tub coupling | B06310 |
| 14 | O-Ring B | 51600 |
| 15 | Screws | 06672 |
| 16 | Mounting nut B | 06637-1 |
| 17 | Metal washer B | 06614 |
| 18 | Rubber washer | B06305 |
| 19 | Shank | 06671 |
| 20 | O-Ring C | 09138 |
| 21 | Inner flange | B06316 |
| 22 | Spout screw | 50802 |
| 23 | Spout assembly | 06668** |
| 24 | Aerator | 06300 |
| 25 | Hoses | B06302 |
| 26 | Diverter lift rod | 50929**&06660** |
| 27 | Spring | 06314 |
| 28 | Seal seat and Washer | 06312 and 06311 |
| 29 | Stainless steel hose | B06385 |
| 30 | Connector B | 06657 |
| 31 | Handheld shower hose | B06334 |
| 32 | Shower seat | B06388** |
| 33 | Handheld shower | 06673** |



UF65640
UF65643
UF65647
UF65648

UF65600
UF65603
UF65607
UF65608

Limited Lifetime Warranty

Ultra Faucets warrants to the original purchaser that its products will be free from defects in workmanship and materials. All Ultra Faucets are provided with a life time limited warranty. This warranty does not cover any other labor or service charges associated with the removal, repair, or reinstallation of Ultra Faucets products. This express warranty does not apply to products that have been damaged as a result of misuse, abuse, negligence, accident, faulty installation or maintenance practices and/or used in any manner contrary to those recommended by the manufacturer.

Need help? Please call our toll-free customer service line at 1-888-658-5872 for additional assistance or service.
Besoin d'aide? Veuillez communiquer avec notre service à la clientèle au numéro gratuit 1-888-658-5872 pour tous renseignements ou services complémentaires.
¿Requiere asistencia? Llame a nuestro Servicio al Cliente, sin costo, al 1-888-658-5872 para asistencia adicional o servicio.

KREE Series

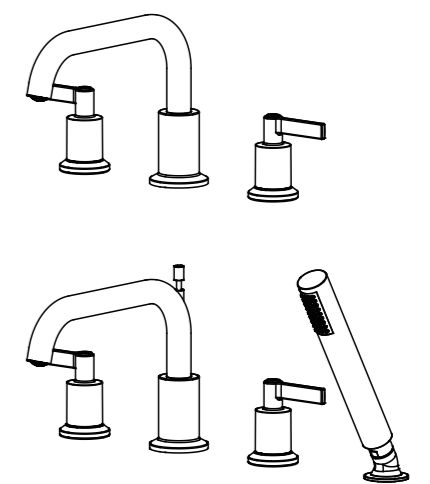
Two-Handle Widespread
 Roman Tub Faucet



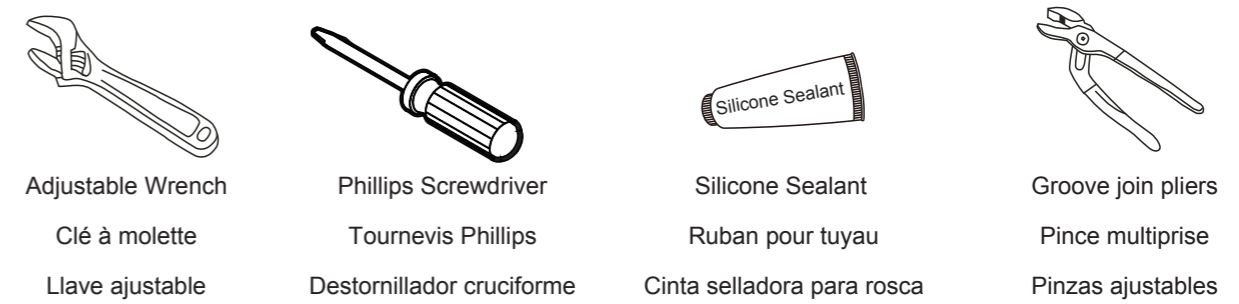
Installation/Installation/Instalación

CUSTOMER SERVICE
TOLL-FREE 1-888-OK-ULTRA (658-5872)

- UF65600 - Chrome**
- UF65603 - Brushed Nickel**
- UF65607 - Matte Black**
- UF65608 - Brushed Gold**
- UF65640 - Chrome**
- UF65643 - Brushed Nickel**
- UF65647 - Matte Black**
- UF65648 - Brushed Gold**



Tools You Will Need / Outils dont vous aurez besoin / Herramientas necesarias



Adjustable Wrench / Clé à molette / Llave ajustable
 Phillips Screwdriver / Tournevis Phillips / Destornillador cruciforme
 Silicone Sealant / Ruban pour tuyau / Cinta selladora para rosca
 Groove joint pliers / Pince multiprise / Pinzas ajustables

SAFETY TIPS

- If you use soldering for the installation of the faucet, the seats, cartridges and washers will have to be removed before using flame. Otherwise, warranty will be void on those parts.
- Cover your drain to avoid losing parts.
- 0°C~55°C.

CONSIGNES DE SÉCURITÉ

- Si vous posez le robinet par brasage, il est essentiel de retirer les sièges, les cartouches et les rondelles avant d'appliquer la flamme, faute de quoi la garantie sur ces pièces sera annulée.
- Couvrez le drain pour ne pas perdre des pièces.
- 0°C~55°C.

CONSEJOS DE SEGURIDAD

- En el caso de utilizar soldadura para instalar el grifo, remueva los asientos, cartuchos y arandelas antes de usar la llama. De lo contrario, se anulará la garantía para esos componentes.
- Tape la boca del desagüe para prevenir la pérdida de piezas pequeñas.
- 0°C~55°C.

Installation/Installation/Instalación

UF65640 **UF65600**
UF65643 **UF65603**
UF65647 **UF65607**
UF65648 **UF65608**



Care & Maintenance:

* To keep the product clean & shining, follow the steps below:

- 1. Rinse with clean water & dry with a soft cloth.
- 2. Do not clean with soaps, acid, polish, abrasives, or harsh cleaners.
- 3. Do not use cloth with a coarse surface.
- 4. Unscrew the aerator and clean when necessary.

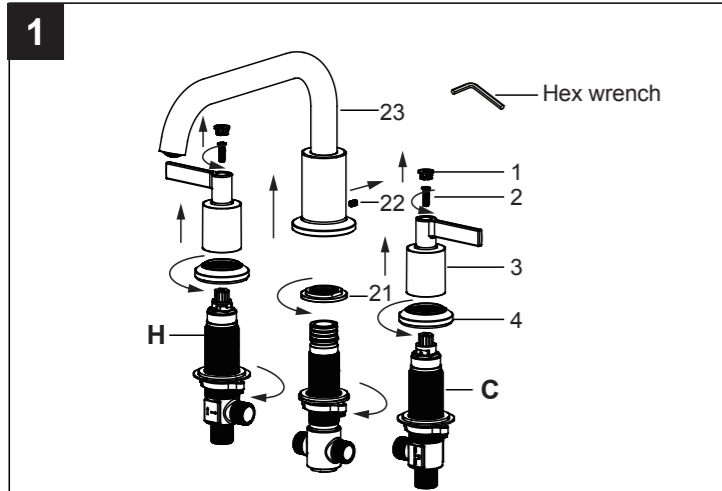
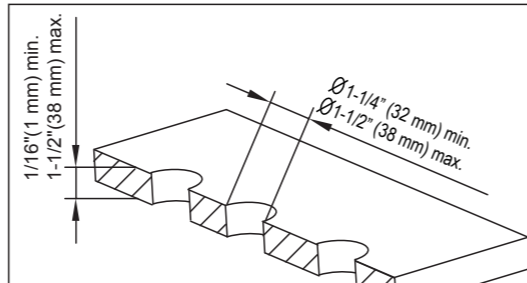
This installation manual is subject to change without further notice.

Please read your care and maintenance documentation to determine the limits of proper use.

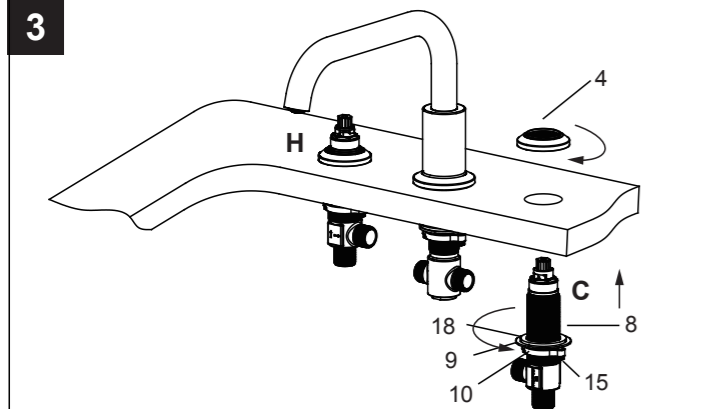
This product has been manufactured and tested to the highest quality standards. We offer our customers thoughtfully crafted fixtures & accessories, engineered for enduring performance over years of use.

Prior to Installation:

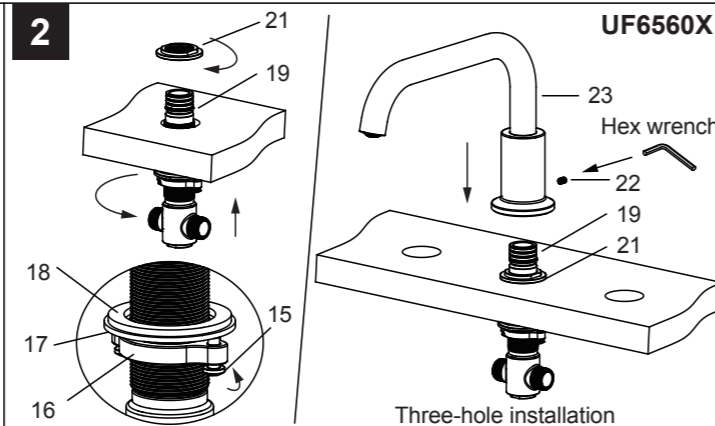
- Turn off the hot and cold water supply at the angle stops and turn on the old faucet to release any built up pressure. Remove existing faucet. Clean sink or countertop to remove any debris, plumber's putty, or silicone.
- Place bucket under angle stops. Turn on to flush any debris prior to installing new plumbing. Shut off angle stops.
- Pre-drilled hole size requirement: 1-1/4" (min) – 1-1/2" (max)
- Max countertop thickness: 1-1/2"



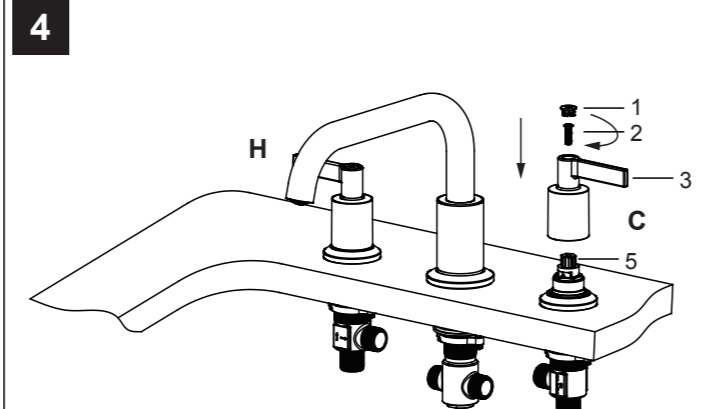
a. Using hex wrench remove spout screw(22), Remove spout assembly(23) and inner flange(21).
 b. Remove index H&C, Using phillips screwdriver removing screws(2), Remove handles(3) and flange(4).



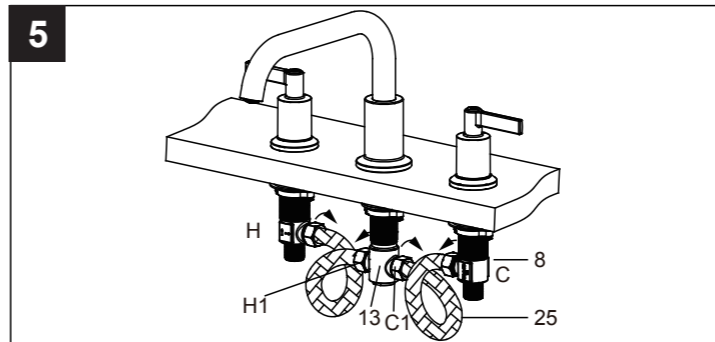
Place the valve body assembly(8) into center hole of the sink, Assemble flange(4) into shank. Under sink secure firmly to sink with rubber washer(18), metal washer(9) and mounting nut(10) onto body underside of sink, tighten it with the locking screws(15).



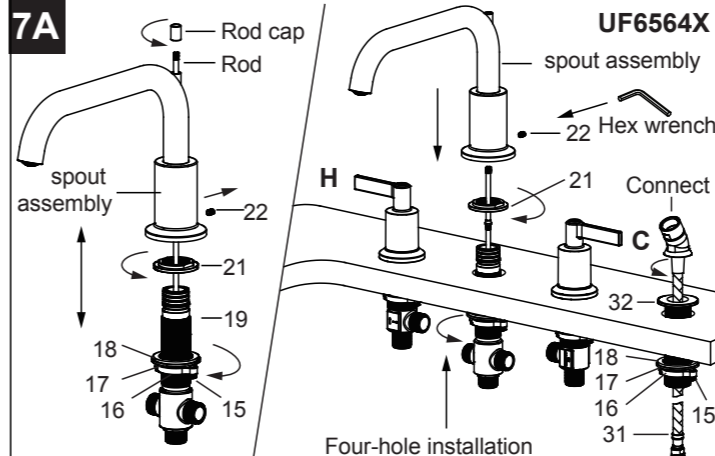
a: Place the shank(19) into center hole of the sink, Assemble Inner flange(21) into shank. Under sink secure firmly to sink with rubber washer(18), metal washer(17) and mounting nut(16) onto body underside of sink, tighten it with the locking screws(15).
 b: Place the spout assembly(23) into shank of the inner flange(21), Using hex wrench locking spout screw(22).



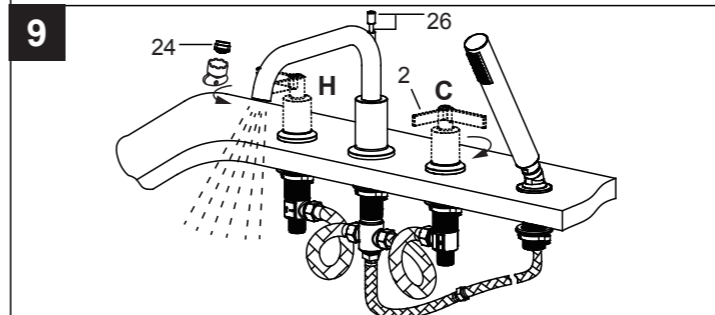
Place the handle(3) into inverter H&C(5) of the valve body assembly(8), Using phillips screwdriver locking handle screws(2), Assemble index H&C(1) into handles(3).



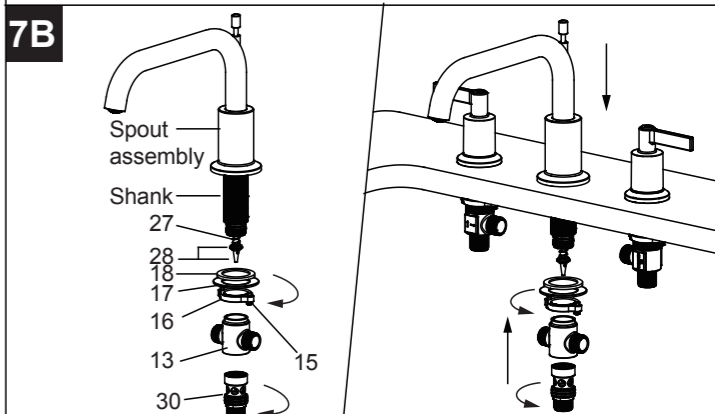
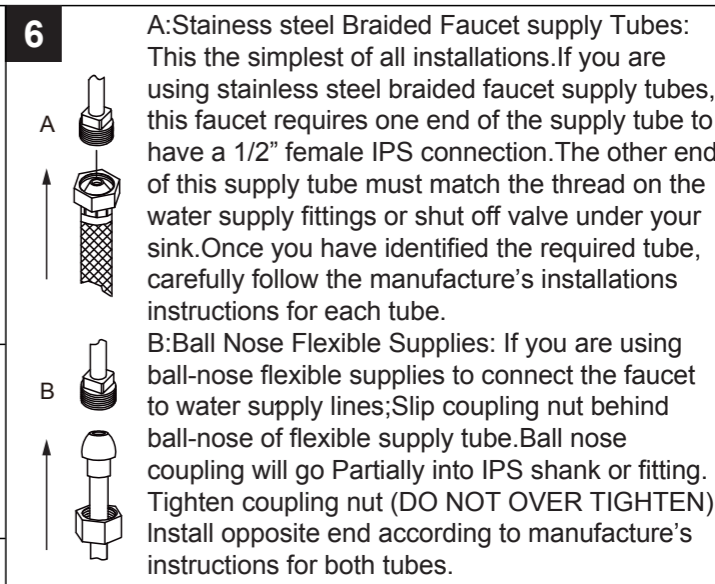
Position the bodies as in illustration to install flexible water supply hoses(25) on hot and cold inlets. wrap the male thread of the hose in clockwise into the valve body assembly (8) then tighten firmly, Screw the other end of the hose(25) onto the T-Tub coupling(13) and tighten firmly. carefully bend the hoses to fit available space.



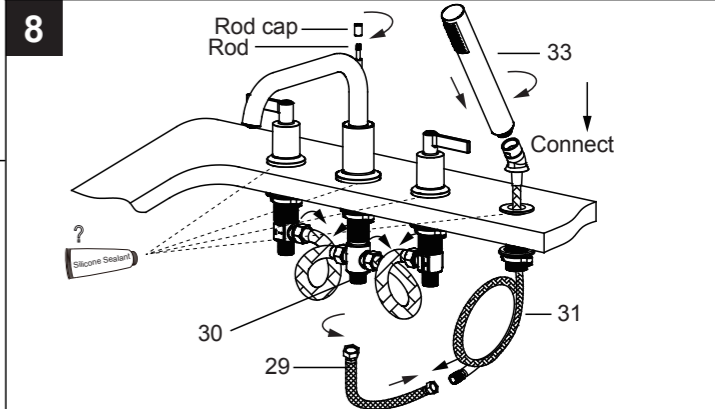
a: Using hex wrench remove spout screw(22), remove rod cap, remove spout assembly and inner flange(21).
 b: Place the shank(19) into center hole of the sink, Assemble Inner flange(21) into shank and rod. Under sink secure firmly to sink with rubber washer(18), metal washer(17) and mounting nut(16) onto body underside of sink, tighten it with the locking screws(15). Place the spout assembly into shank of the inner flange(21), Using hex wrench locking spout screw(22). Place the shower seat(32) into center hole of the sink, Under sink secure firmly to sink with rubber washer(18), metal washer(17) and mounting nut(16) onto seat underside of sink, tighten it with the locking screws(15). Place the connect and Handheld shower hose into shank of the shower seat.



Make sure the lift rod (26) is in the down position. Loosen aerator with wrench, Remove aerator(24) Turn faucet handle (2) all the way on. Turn on hot and cold water supplies and flush water lines for one minute. Important: This flushes away any debris that could cause damage to internal parts. Reassemble aerator, while water is running, check for leaks.



a: Remove connector(30), T-Tub coupling(13), mounting nut (16), metal washer(17) and rubber washer(18).
 b: Place the spout assembly into center hole of the sink, Under sink secure firmly to sink with rubber washer(18), metal washer(17) and mounting nut(16) onto body underside of sink, tighten it with the locking screws(15). Place the T-Tub coupling(8) into center hole of the shank. Place the Connector(30) into T-Tub coupling(13) of the shank, Using Adjustable Wrench locking Connector(30).



a: Place the rod cap into rod of the spout assembly, Assemble Handheld shower(33) into connect.
 b: install the back hose(25) as described in steps #5.
 c: Wrap the male thread of the Stainless steel hose(29) in clockwise into the Connecto(30) then tighten firmly, Screw the other end of the hose(29) onto the Handheld shower hose(13) and tighten firmly. carefully bend the hoses to fit available space.