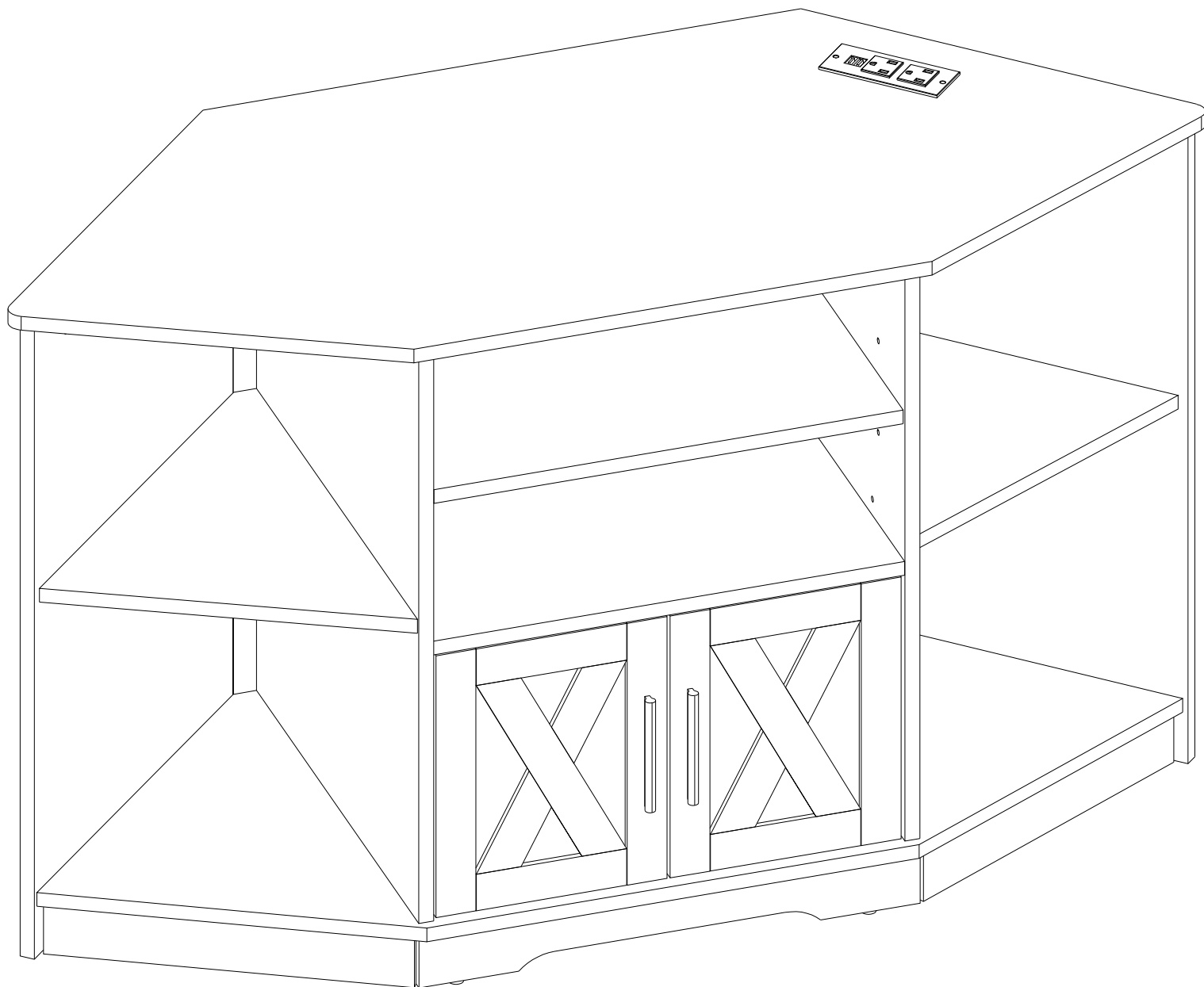


ASSEMBLY INSTRUCTIONS

GZPFK-V1

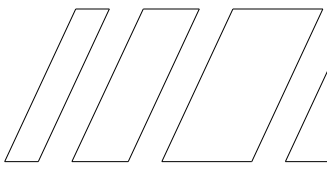
FTLFTS-6027



TV Stand

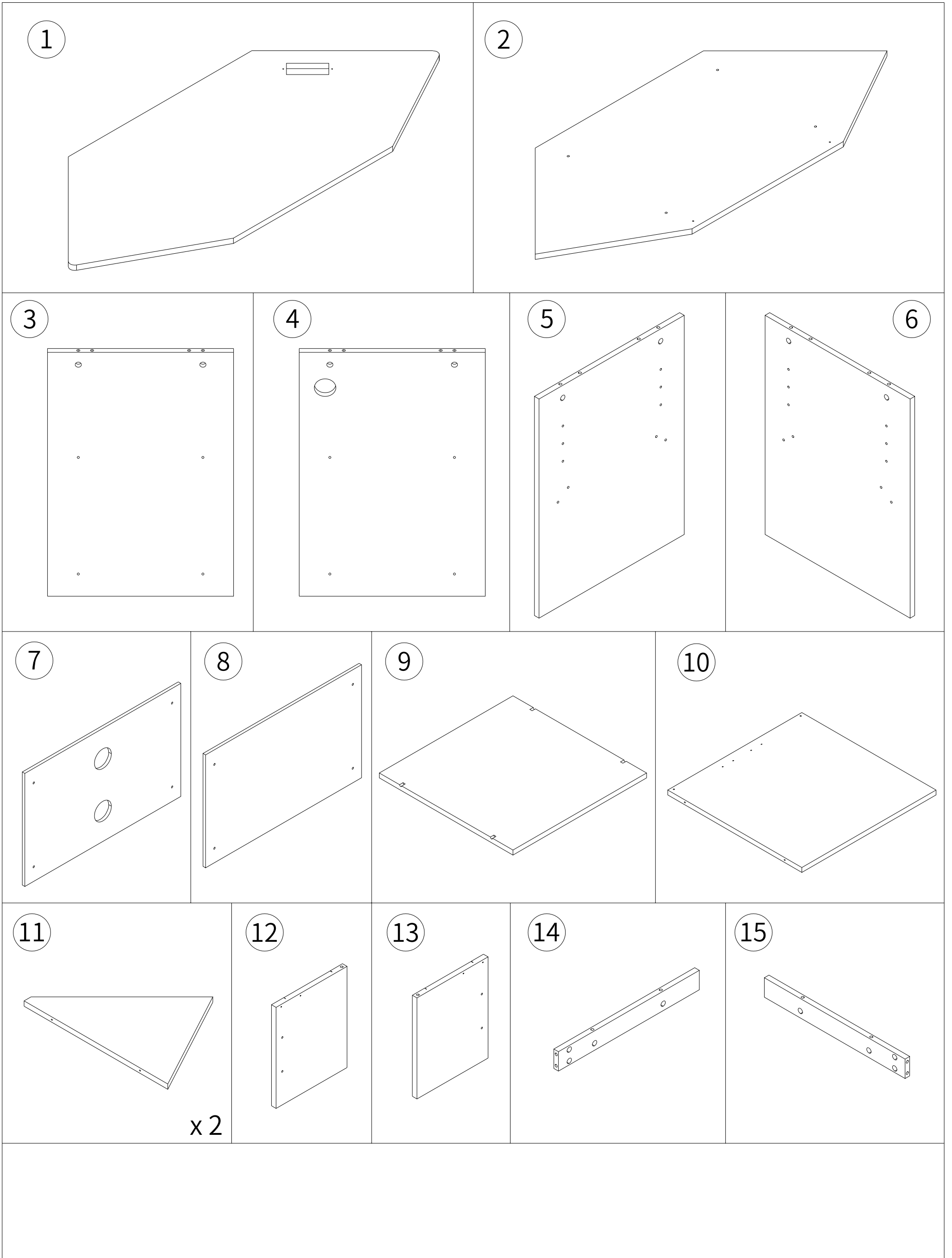
Notice:

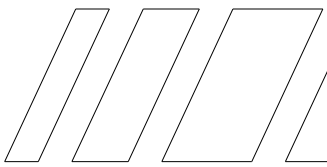
1. Follow the installation instructions. Please confirm all accessories are preset before installation.
2. Do not fully tighten the screws during initial assembly, Fully tighten screws only once all pieces
3. If you encounter any problems during installation, please contact our customer service



FTLFTS-6027

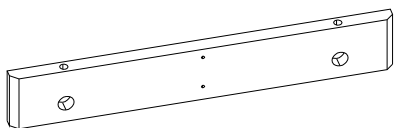
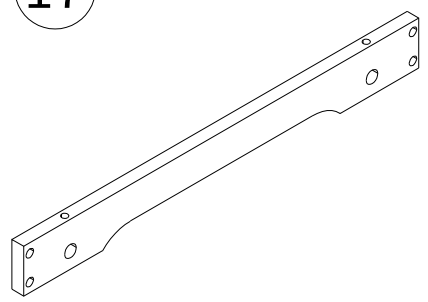
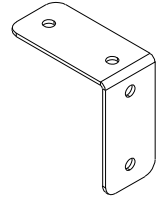
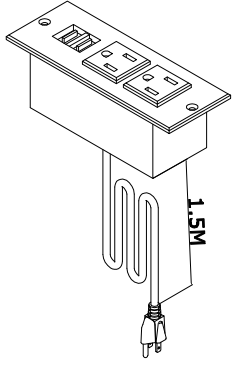
P.1


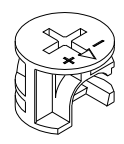
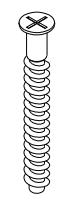
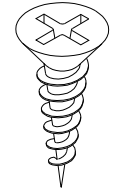
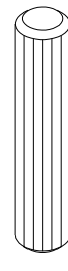
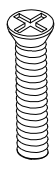
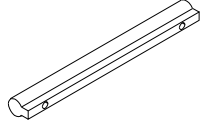
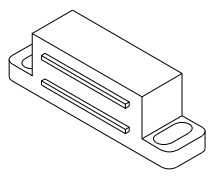
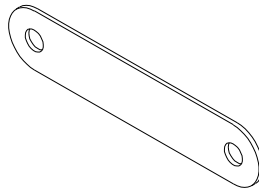
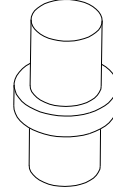
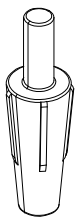
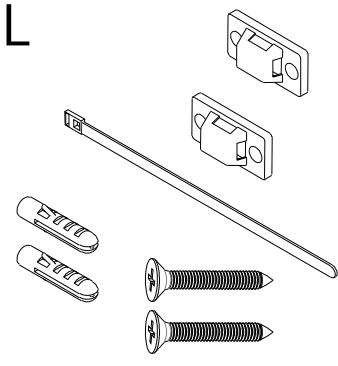

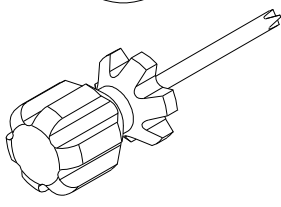


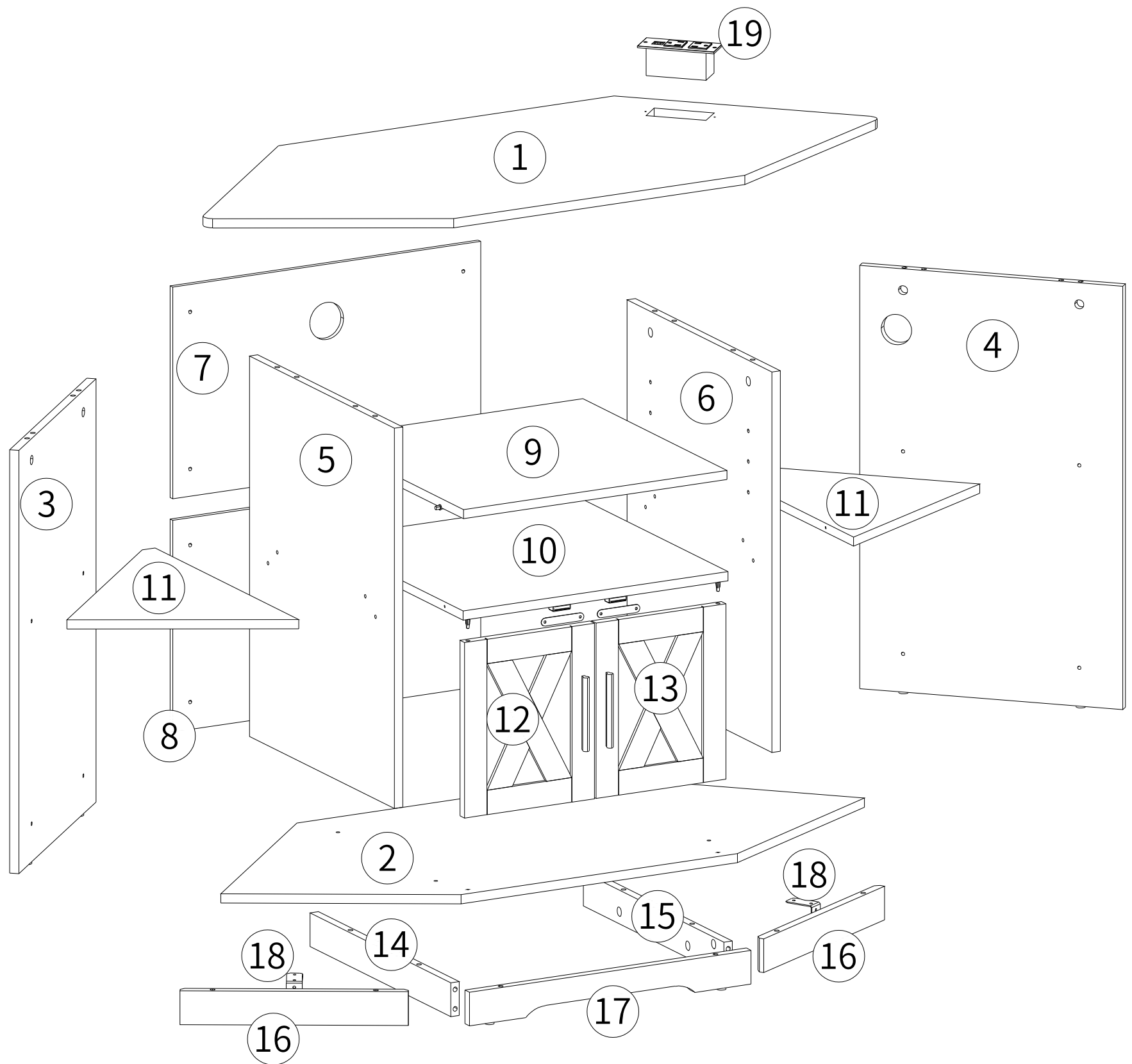


FTLFTS-6027

P.2

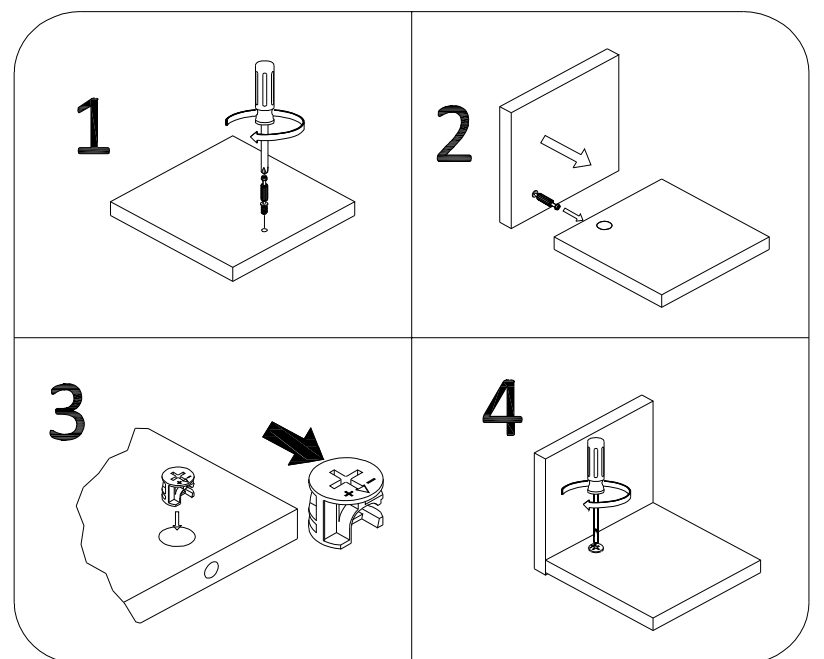
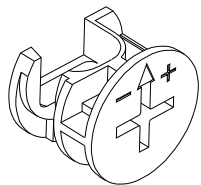
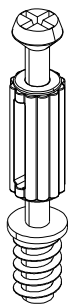
<p>16</p>  <p>x 2</p>	<p>17</p>  <p>x 2</p>	<p>18</p>  <p>x 2</p>	<p>19</p>  <p>1.5M</p>
--	---	--	---

<p>A M6x42</p>  <p>22 PCS</p>	<p>B Ø15x12</p>  <p>22 PCS</p>	<p>C M5x40</p>  <p>28 PCS</p>	<p>D M3.5x14</p>  <p>22 PCS</p>	<p>E Ø8x40</p>  <p>8 PCS</p>
<p>F M4x18</p>  <p>4 PCS</p>	<p>G 220-96</p>  <p>2 PCS</p>	<p>H</p>  <p>2 PCS</p>	<p>I Ø4x63</p>  <p>2 PCS</p>	<p>J Ø6</p>  <p>4 PCS</p>
<p>K</p>  <p>4 PCS</p>	<p>L</p>  <p>2 SET</p>	  <p>1 PCS</p>		



Cam Lock Fastening System

This Cam Lock Fastening System will be used throughout the assembly process

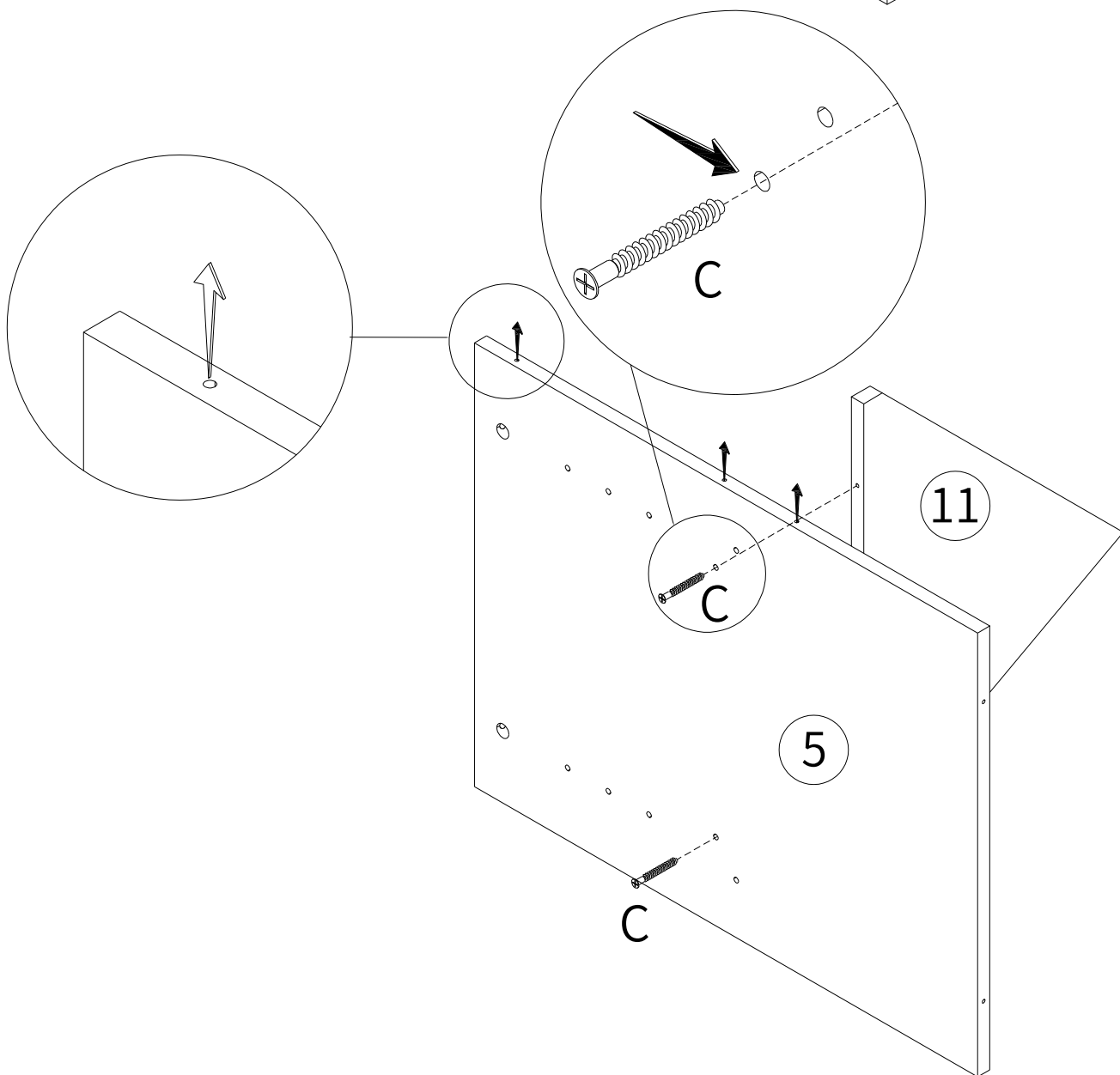
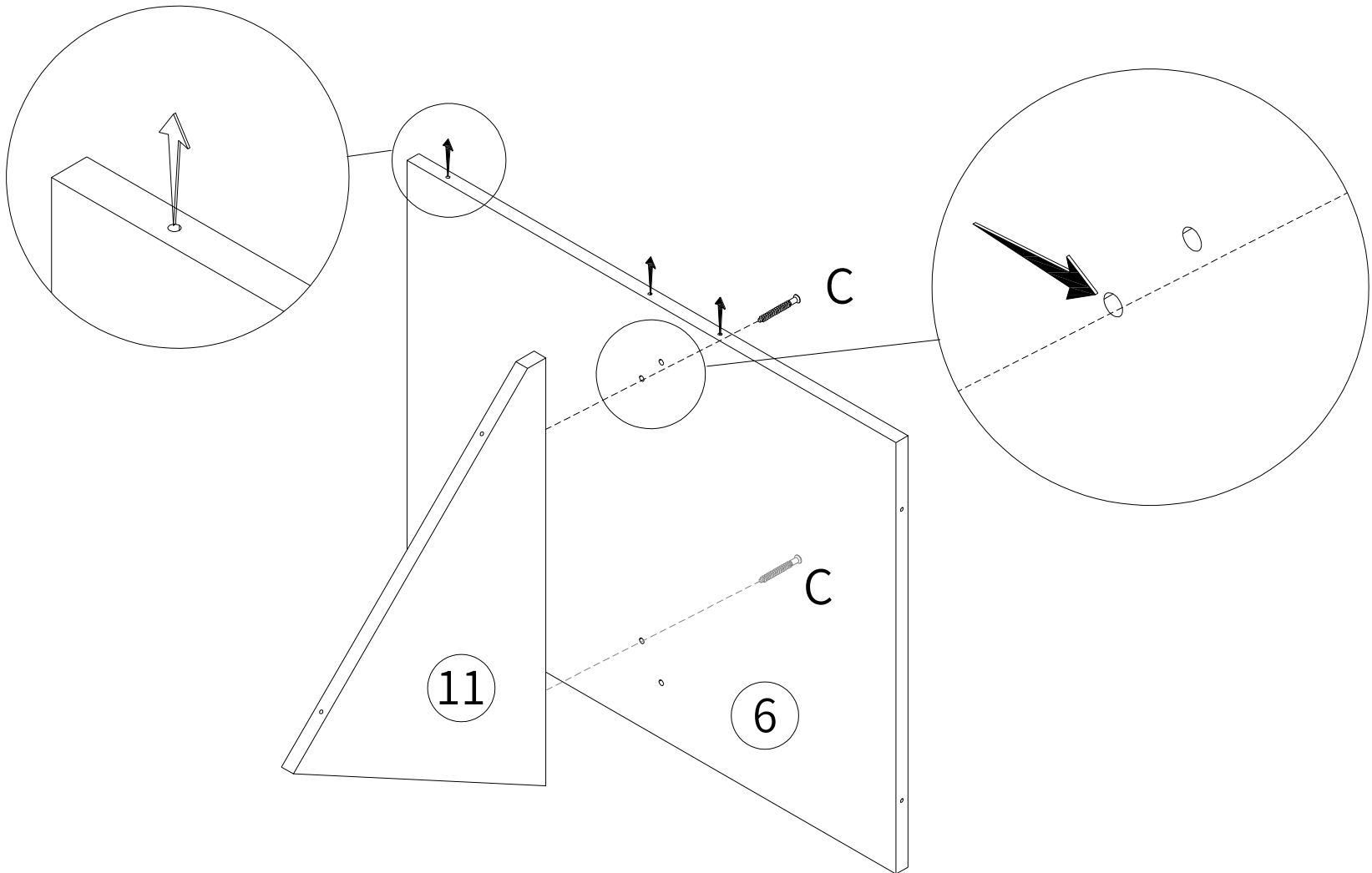


1

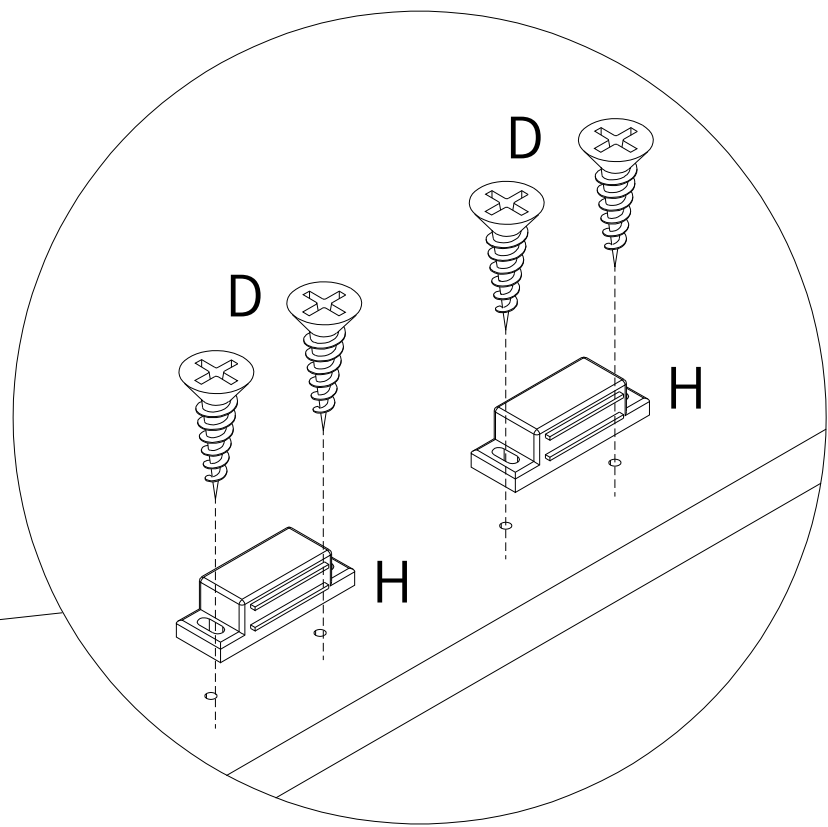
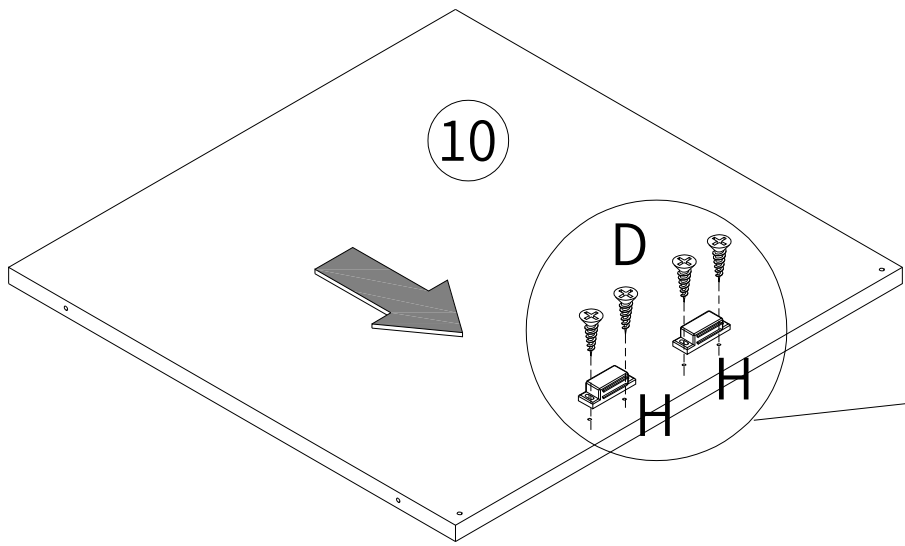
C M5x40



4 PCS



2



C M5x40



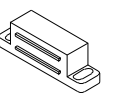
4 PCS

D M3.5x14

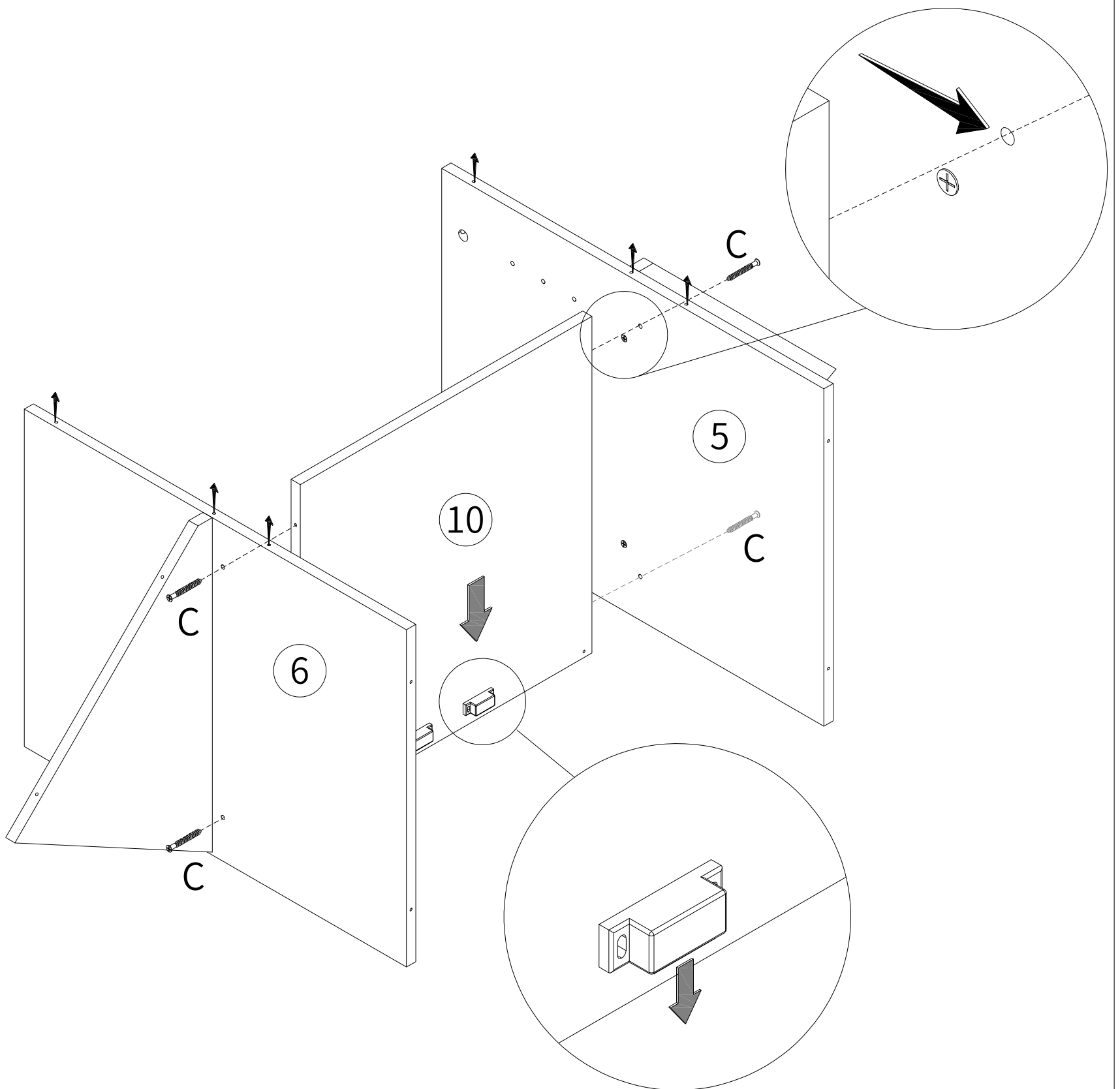


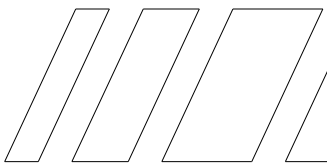
4 PCS

H



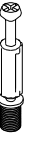
2 PCS



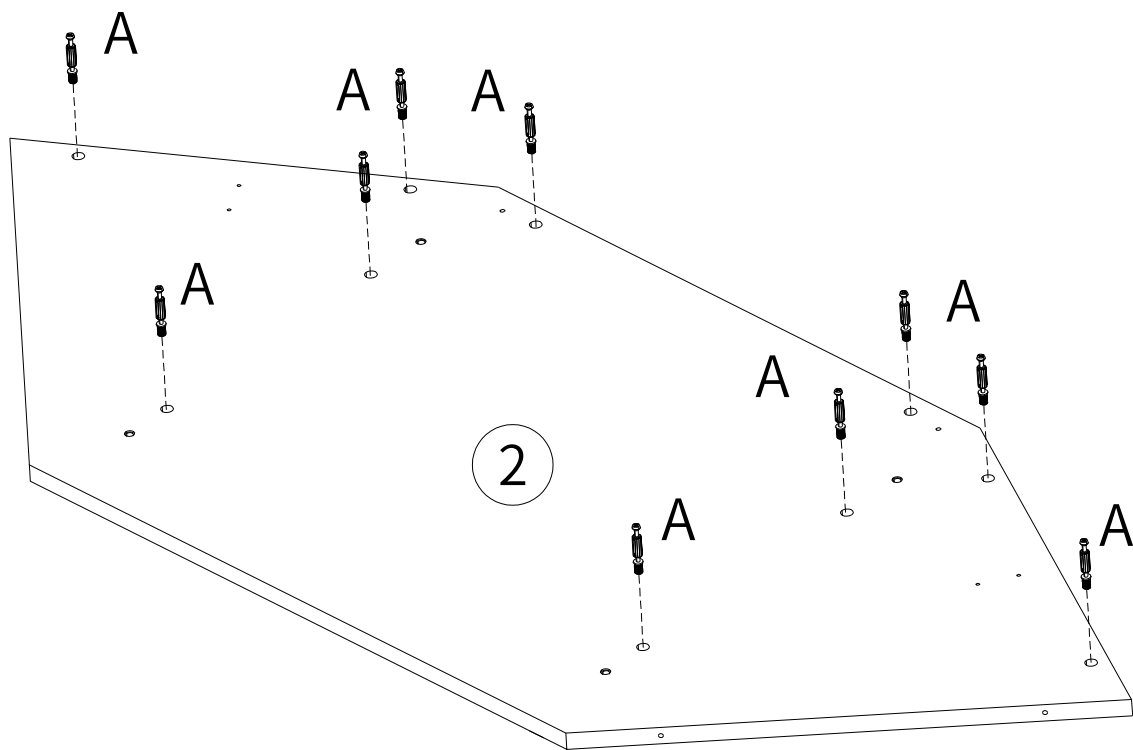


3

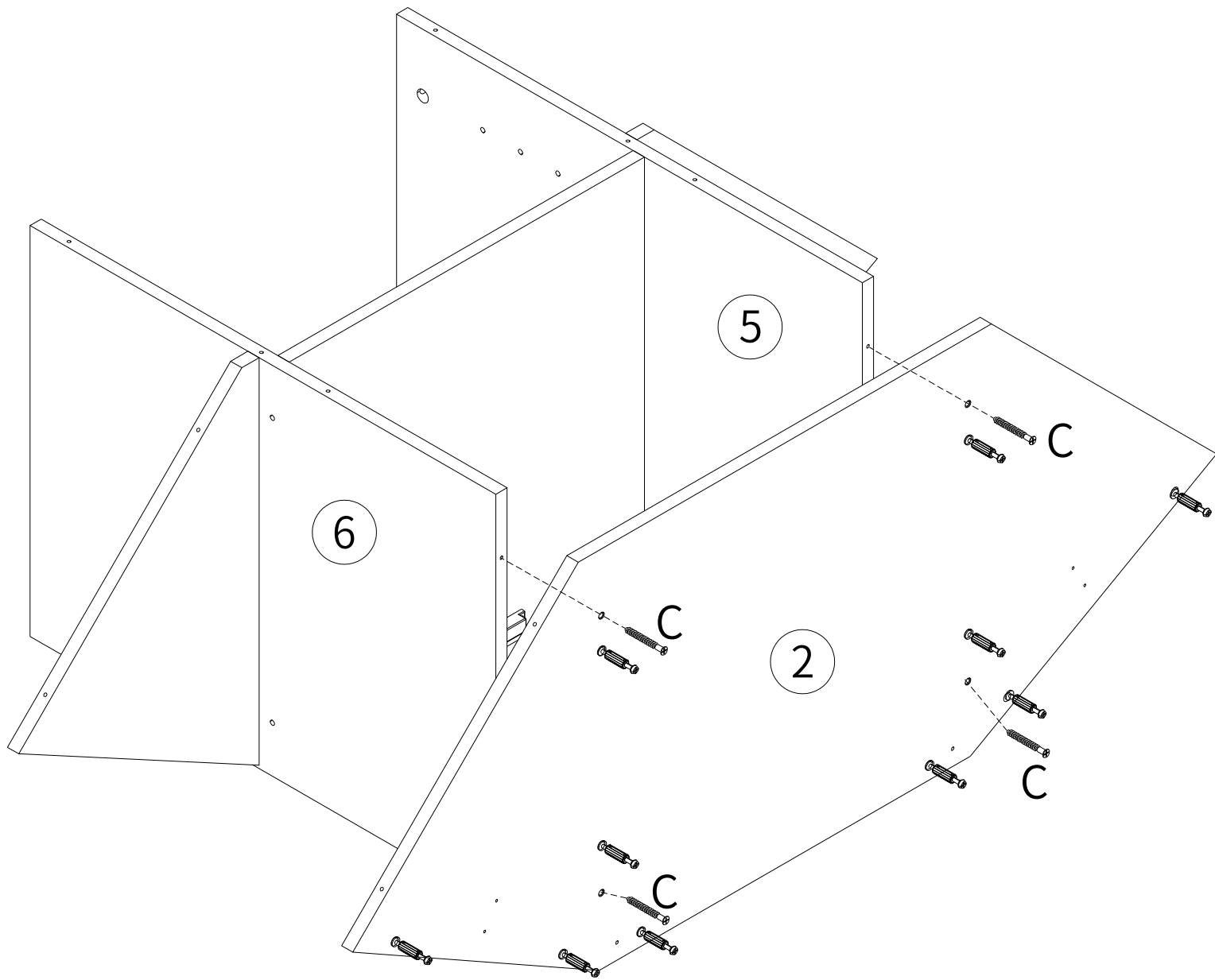
A M6x42



10 PCS



4

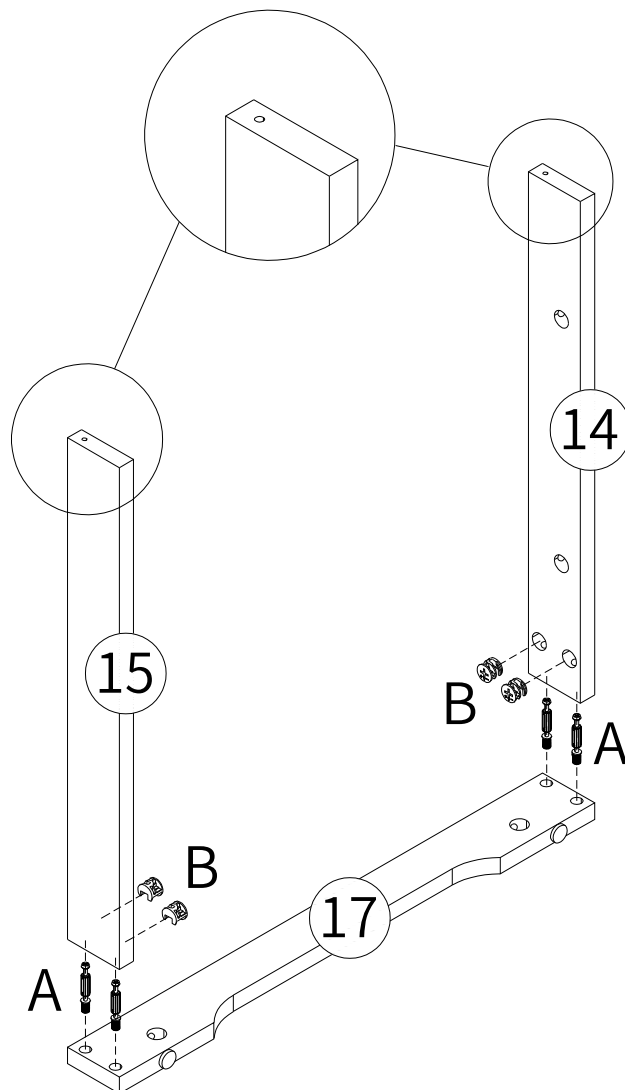


C M5x40



4 PCS

5



A M6x42



4 PCS

B Ø15x12



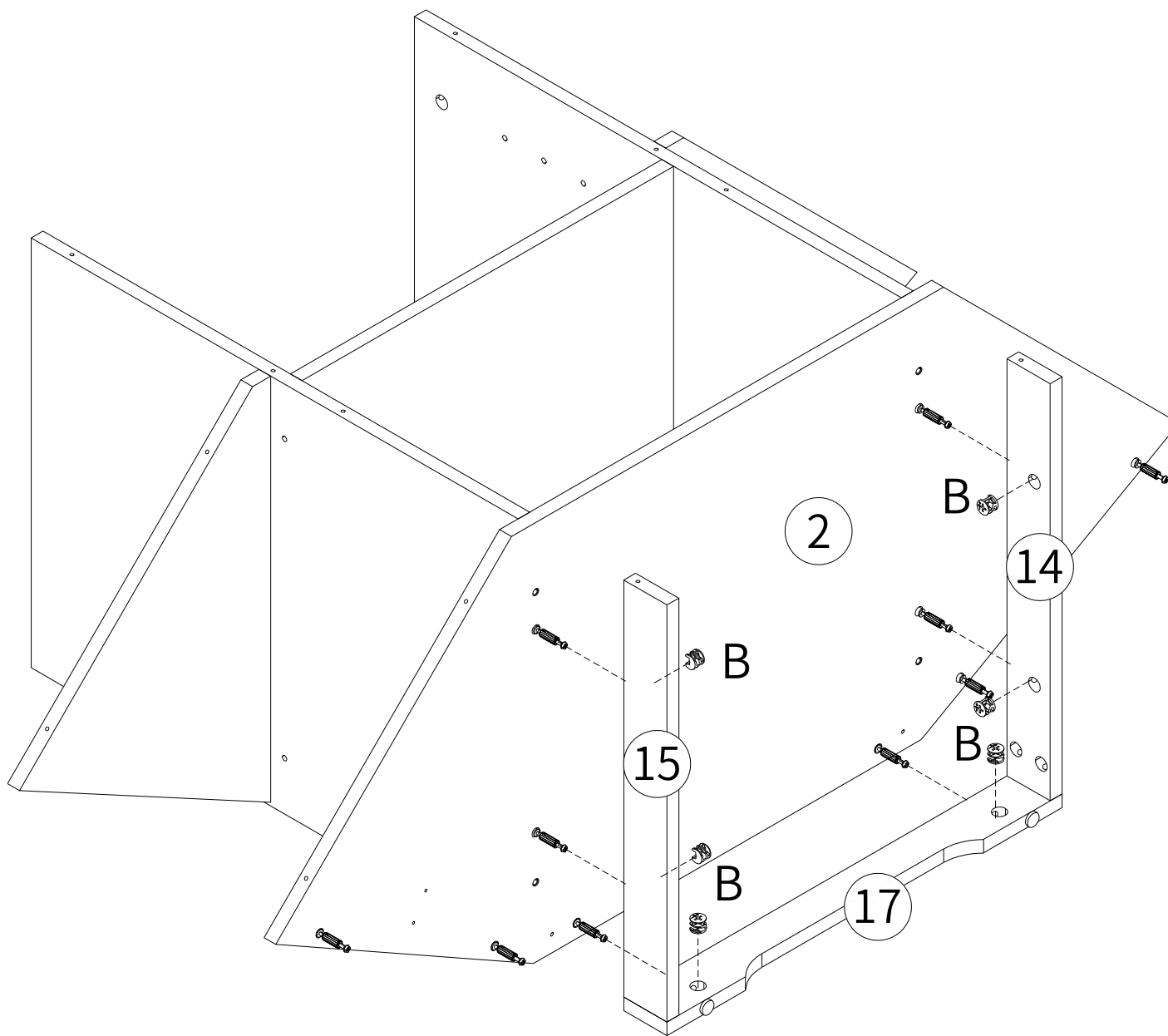
4 PCS

6

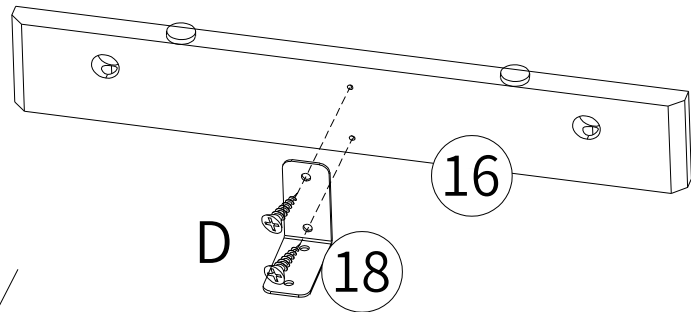
B Ø15x12



6 PCS



7



x 2

B $\varnothing 15 \times 12$

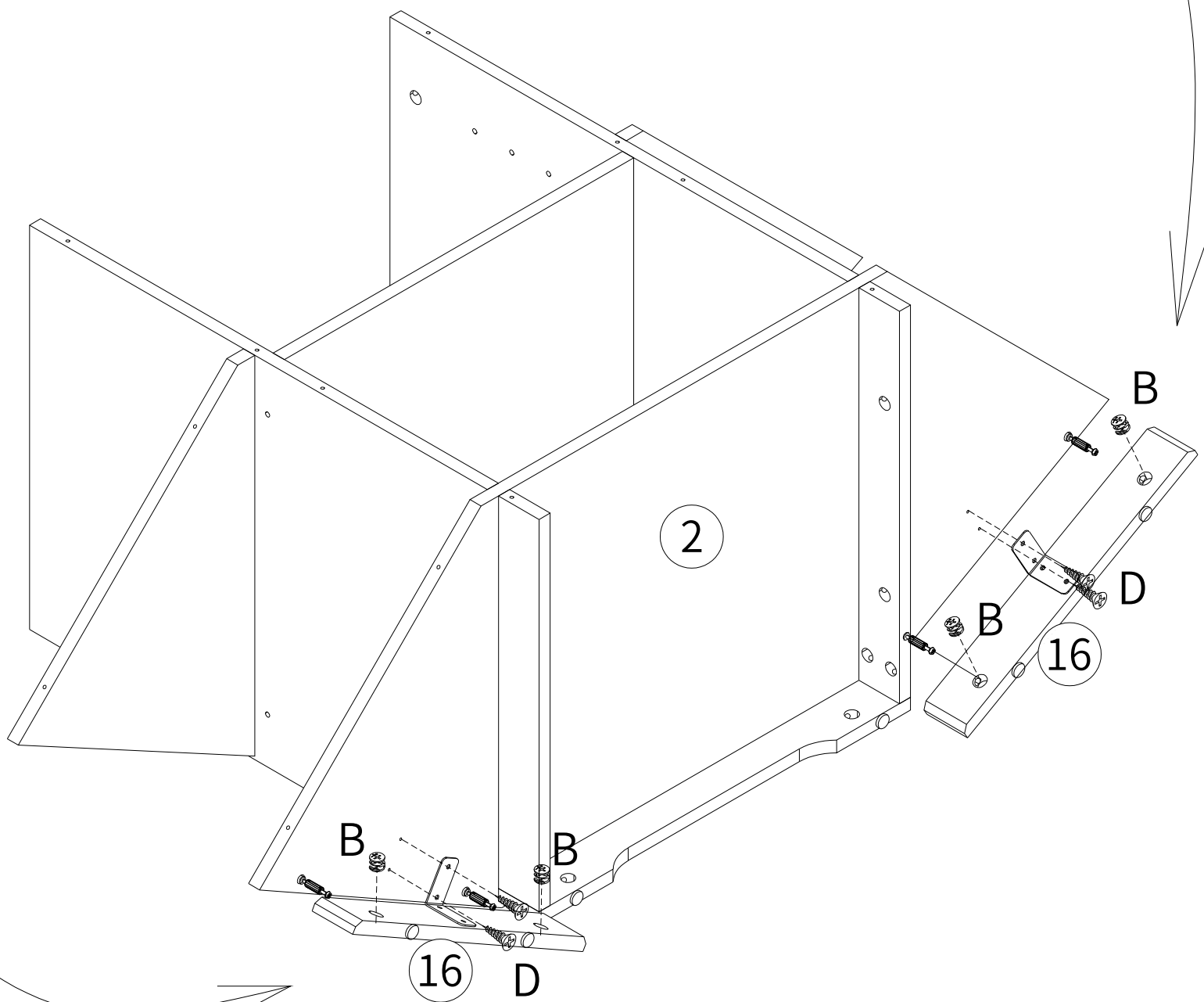


4 PCS

D M3.5x14



8 PCS

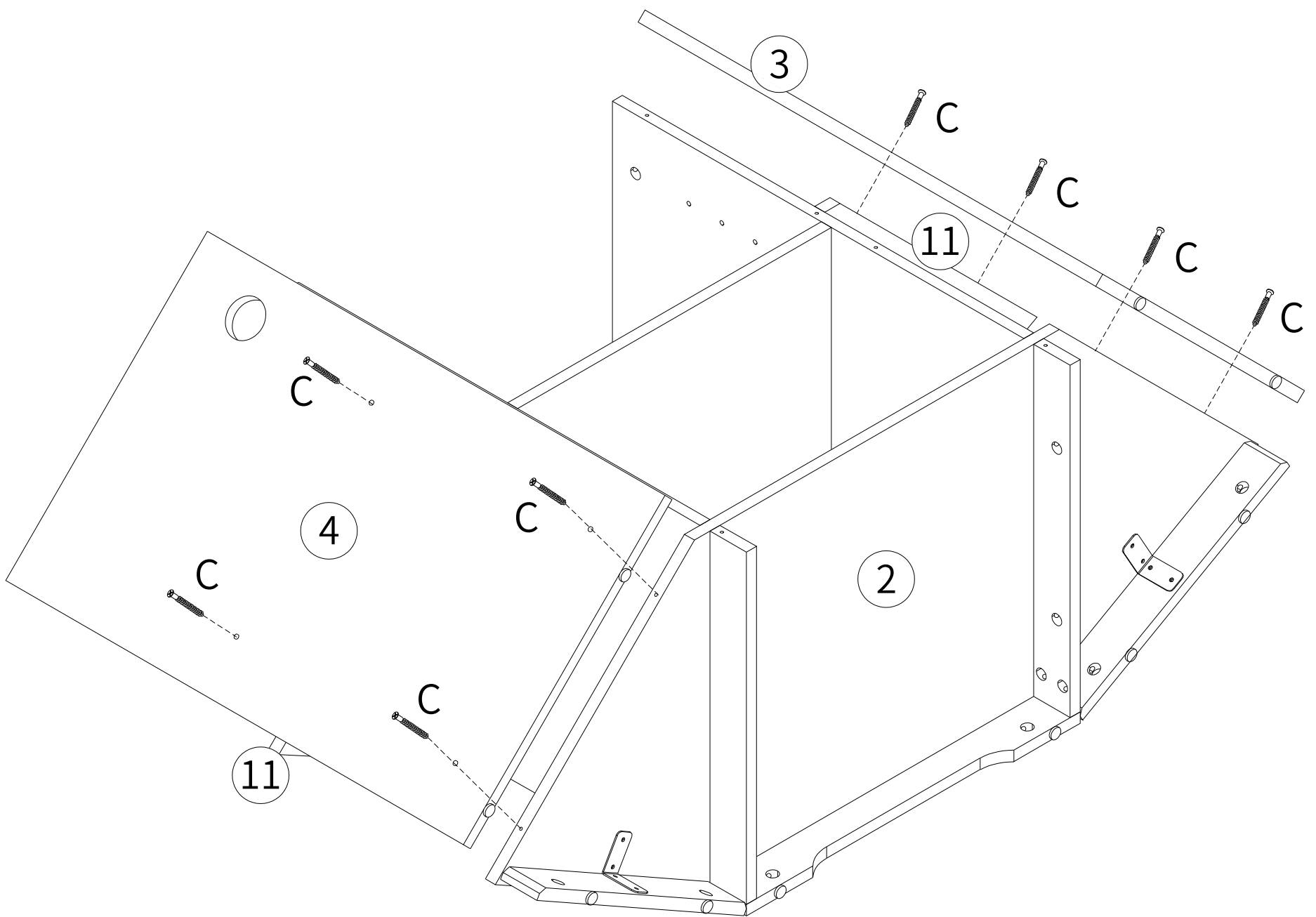


8

C M5x40



8 PCS

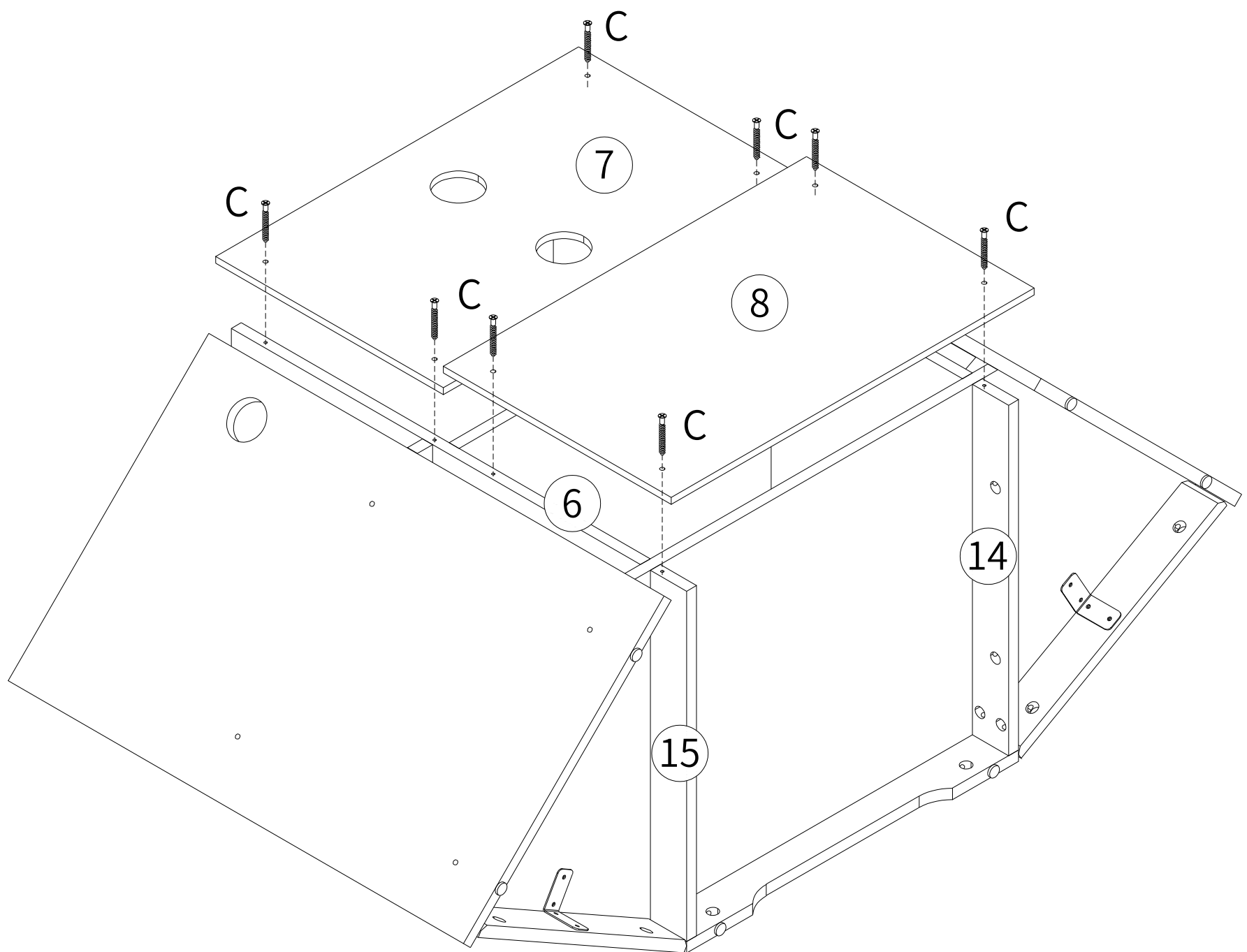


9

C M5x40

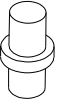


8 PCS

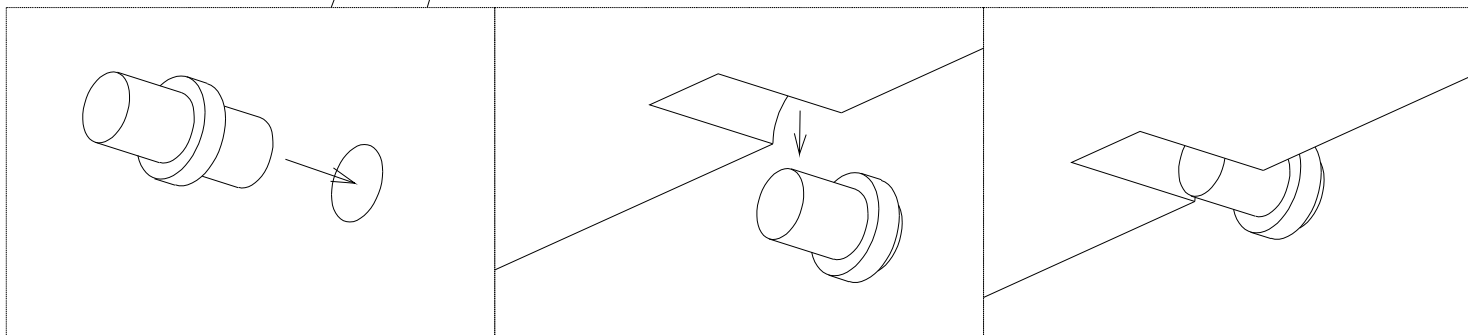
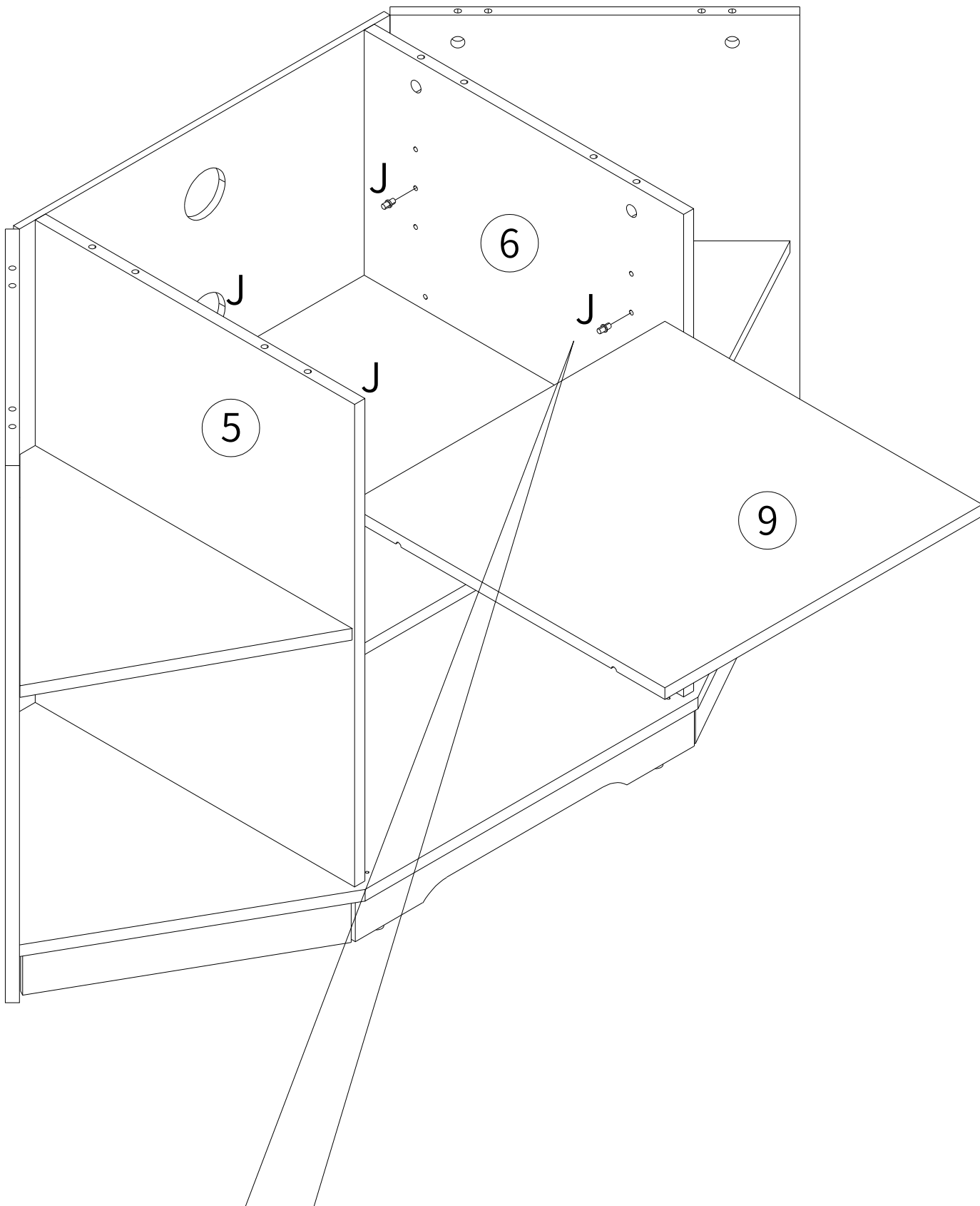


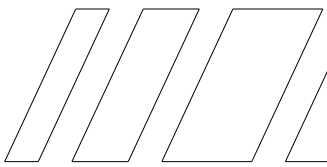
10

J Ø6



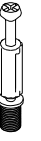
4 PCS



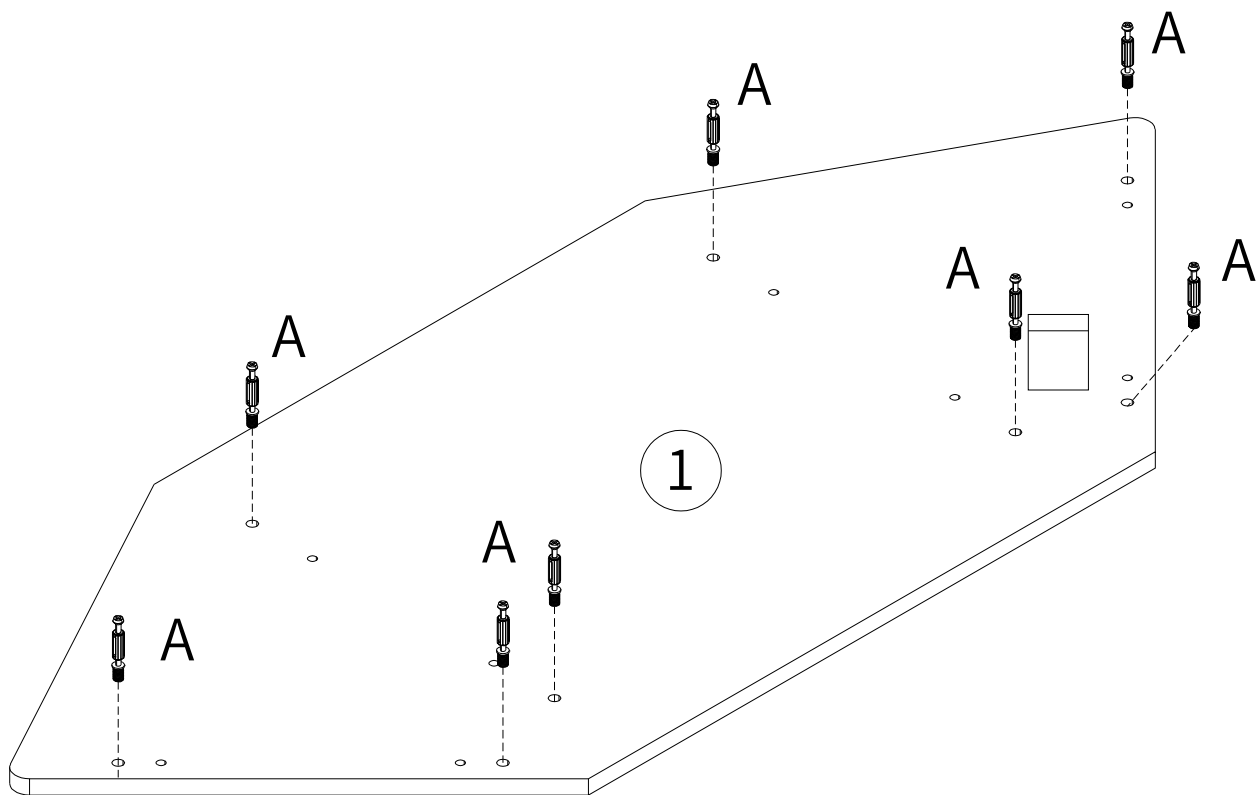


11

A M6x42



8 PCS



12

B Ø15x12

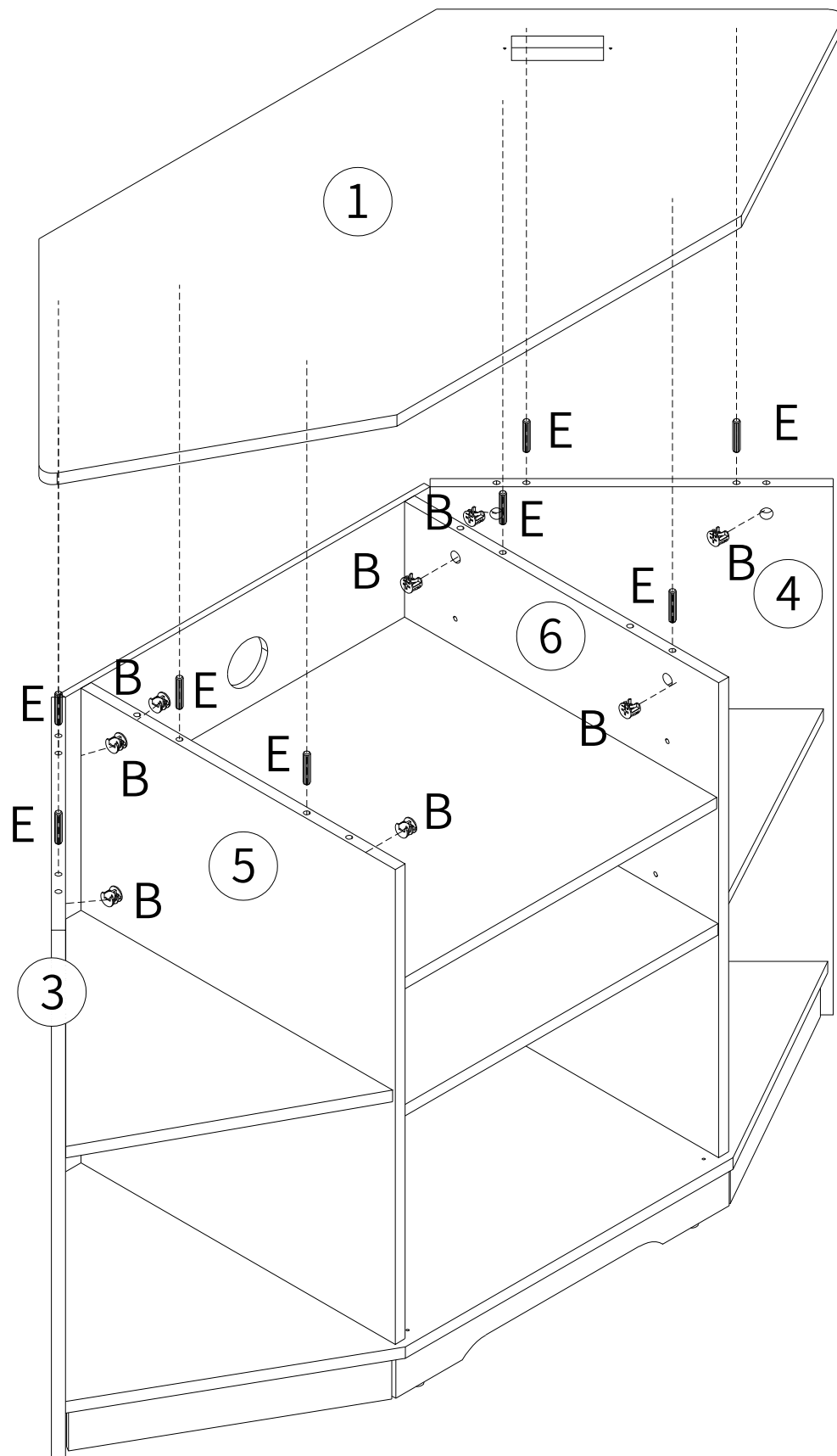


8 PCS

E Ø8x40



8 PCS

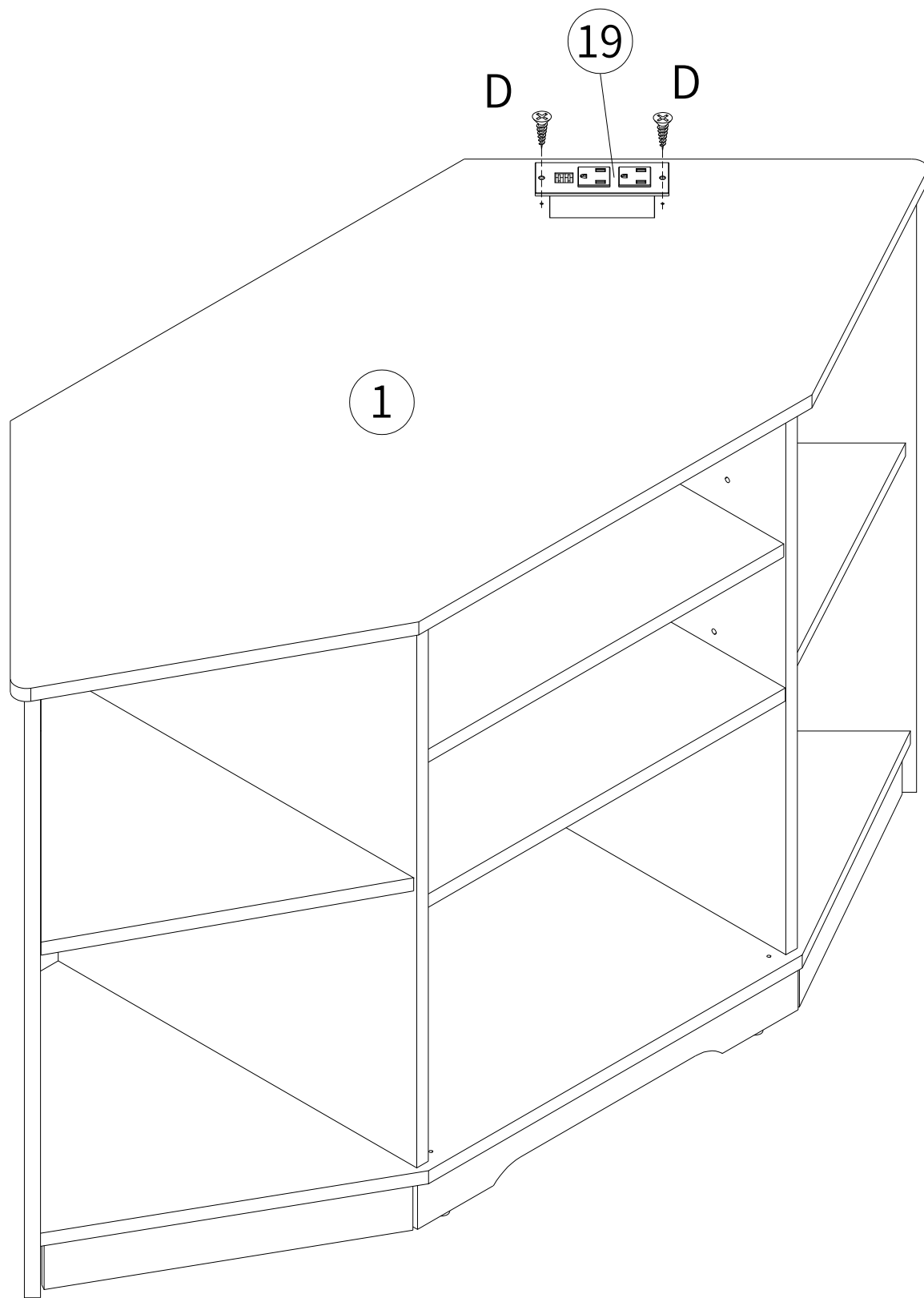


13

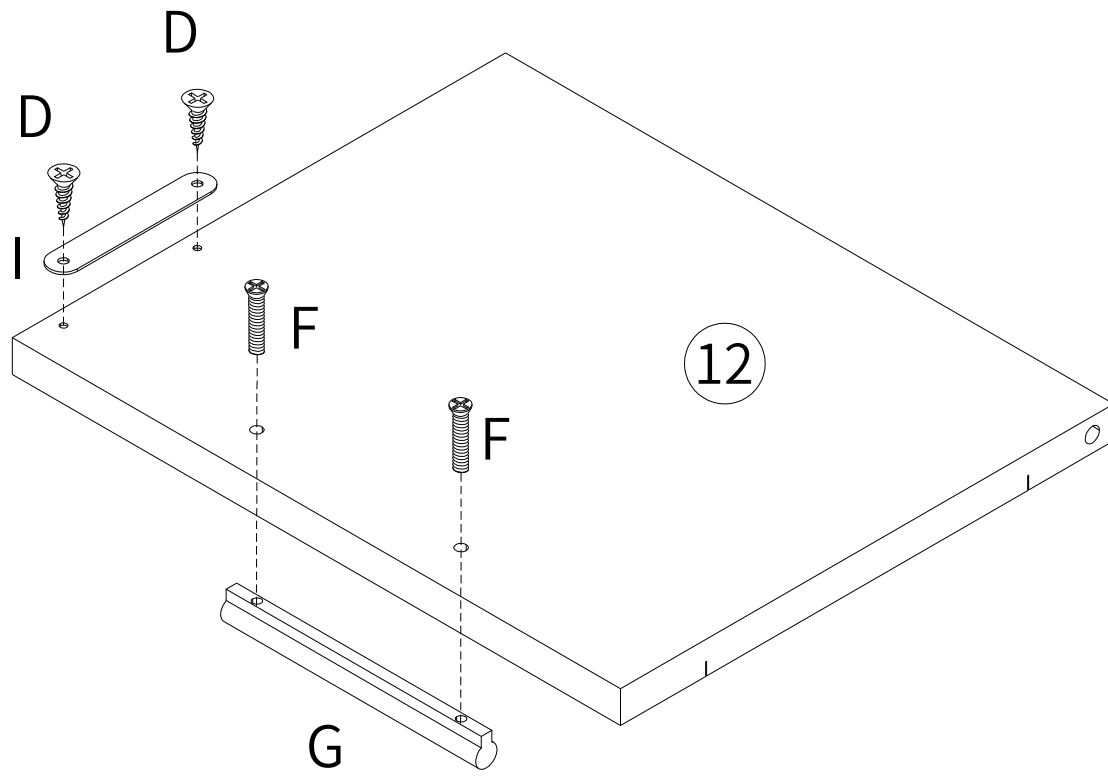
D M3.5x14



2 PCS



14



D M3.5x14



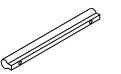
4 PCS

F M4x18



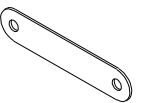
4 PCS

G 220-96

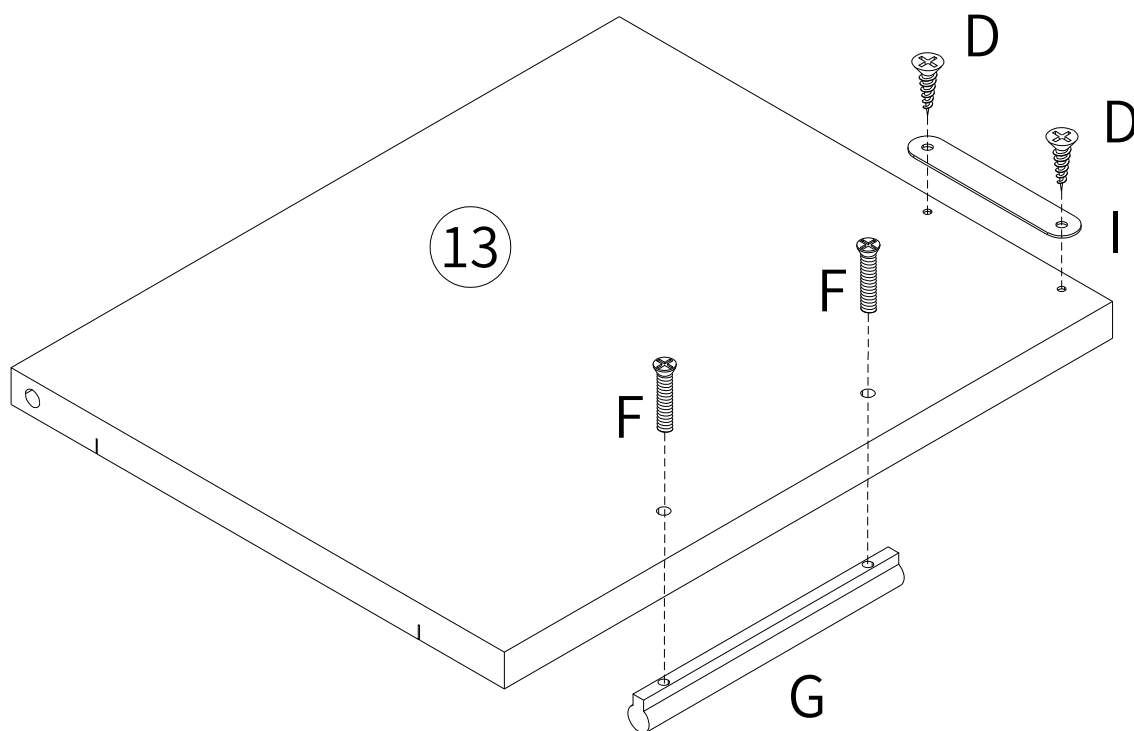


2 PCS

I Ø4x63



2 PCS

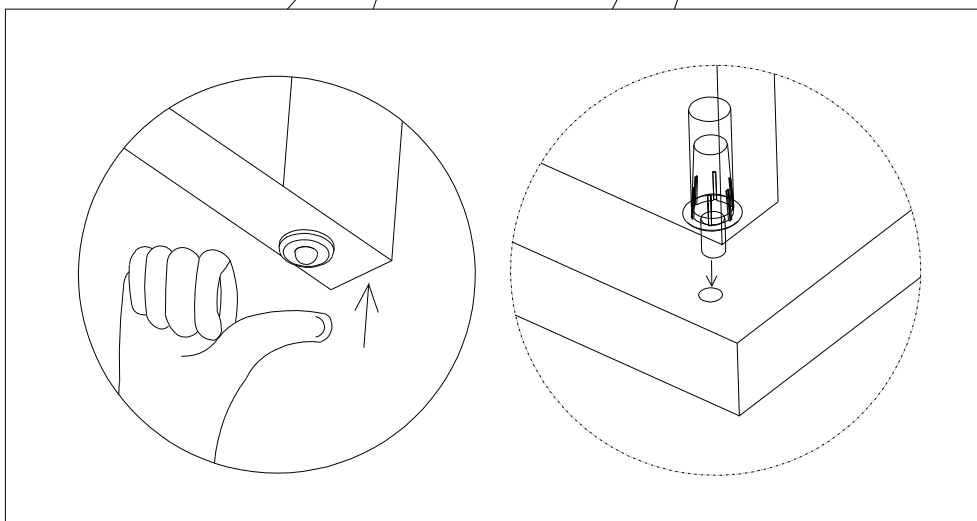
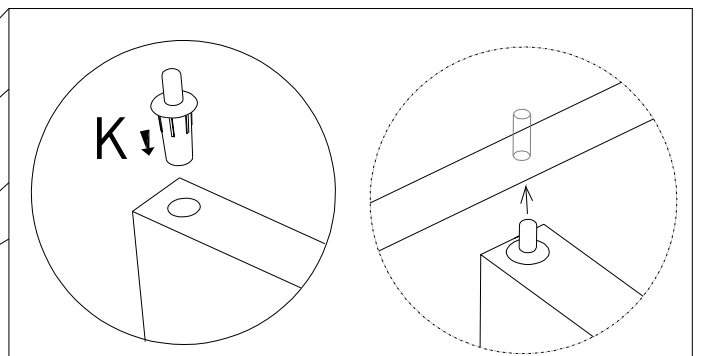
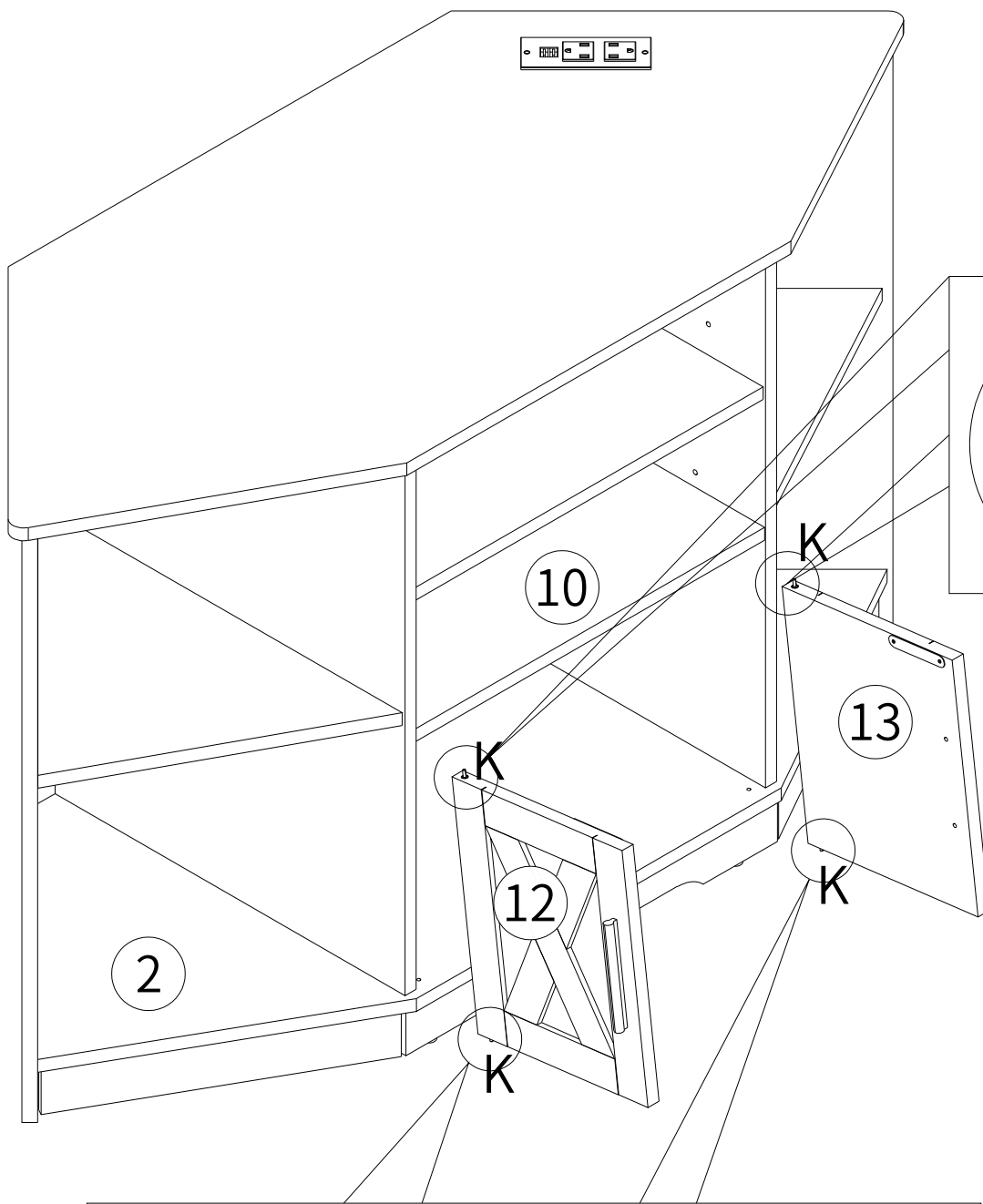


15

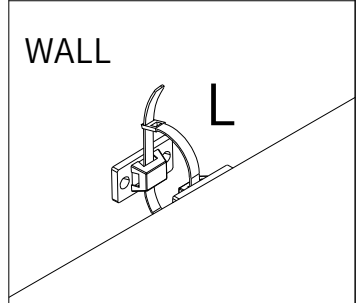
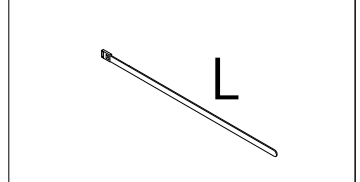
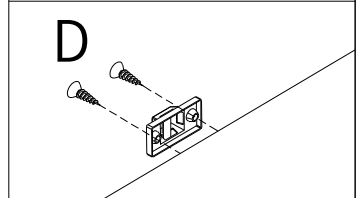
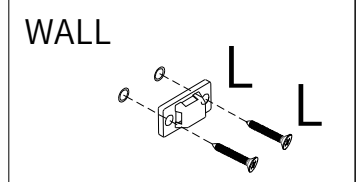
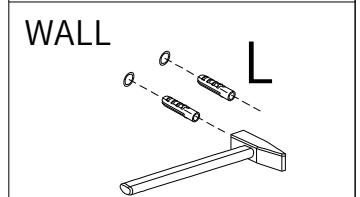
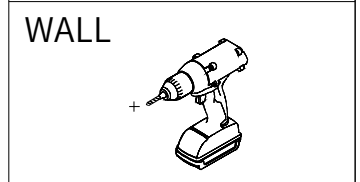
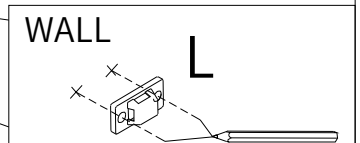
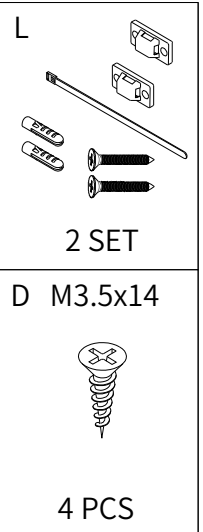
K



4 PCS



16



Attention: For safety and stability, we suggest you have to secure the anti-tip accessories to the wall to prevent tipping, injury, and property damage.